



US00D372330S

United States Patent [19] Cheng

[11] Patent Number: **Des. 372,330**
[45] Date of Patent: ****Jul. 30, 1996**

[54] **LAMP BASE**
[75] Inventor: **Chan-Keng Cheng**, Sanchung, Taiwan
[73] Assignee: **Donguan Juguan Metal Lighting
Factory Co., Ltd.**, China
[**] Term: **14 Years**

Attorney, Agent, or Firm—Finnegan, Henderson, Farabow,
Garrett & Dunner

[57] CLAIM

The ornamental design for lamp base, as shown and
described.

DESCRIPTION

[21] Appl. No.: **40,720**
[22] Filed: **Jun. 26, 1995**
[52] U.S. Cl. **D26/142; D8/352**
[58] Field of Search D26/142, 143,
D26/145, 152, 72, 80, 85, 87, 92; 362/432,
147; D8/352

FIG. 1 is a perspective view of lamp base showing my new
design;
FIG. 2 is a front elevational view thereof;
FIG. 3 is a rear elevational view thereof;
FIG. 4 is a left side elevational view thereof;
FIG. 5 is a right side elevational view thereof;
FIG. 6 is a top plan view thereof;
FIG. 7 is a bottom plan view thereof; and,
FIG. 8 is a perspective view thereof when in use.
The lamp base is broken away to indicate indeterminate
length. The lamp holders are shown in broken lines in FIG.
8 for illustrative purposes only and form no part of the
claimed design.

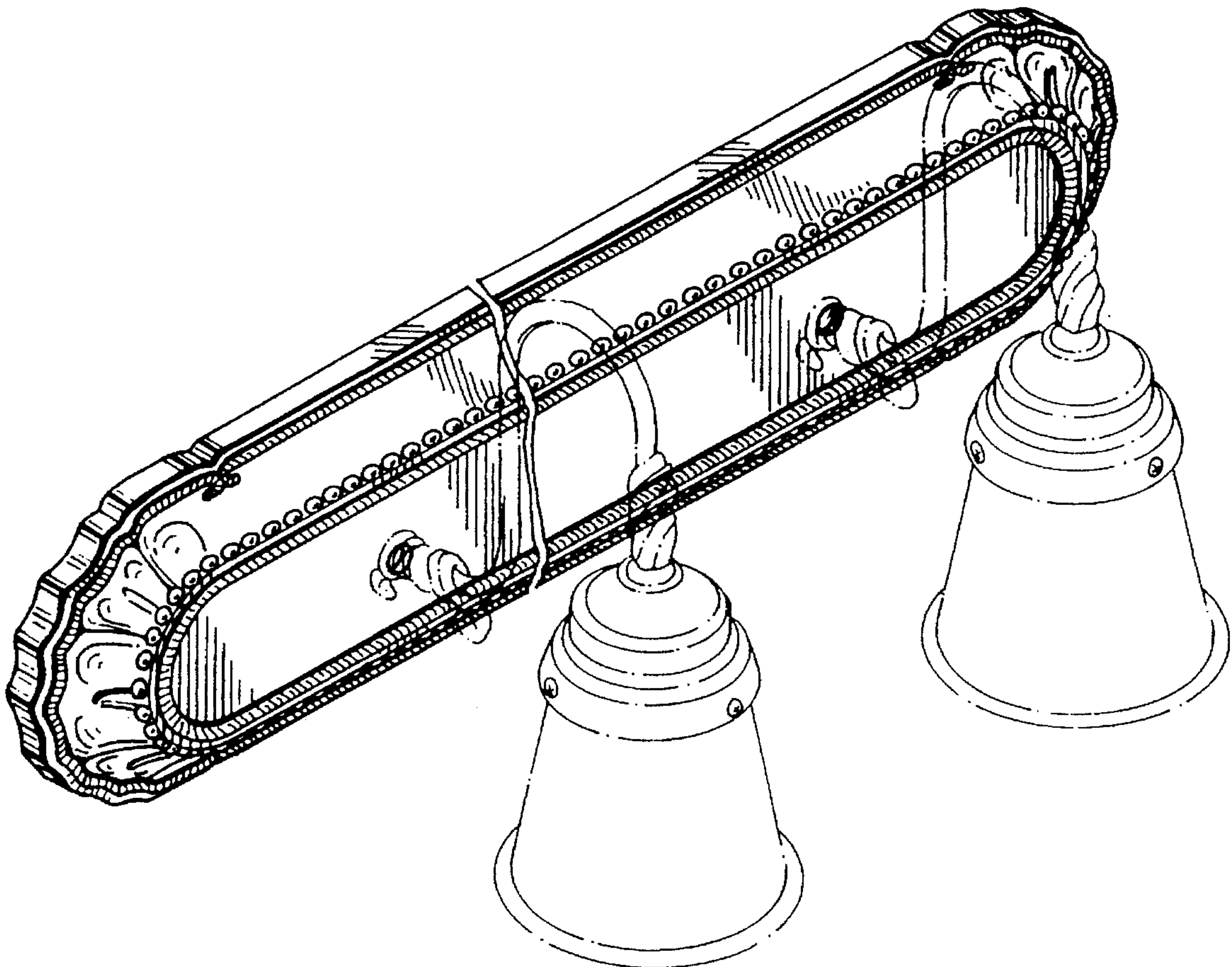
[56] References Cited

U.S. PATENT DOCUMENTS

D. 261,857 11/1981 Valli D8/352 X
D. 356,384 3/1995 Pickett D26/92
D. 358,680 5/1995 Chen D26/142

Primary Examiner—Susan J. Lucas

1 Claim, 4 Drawing Sheets



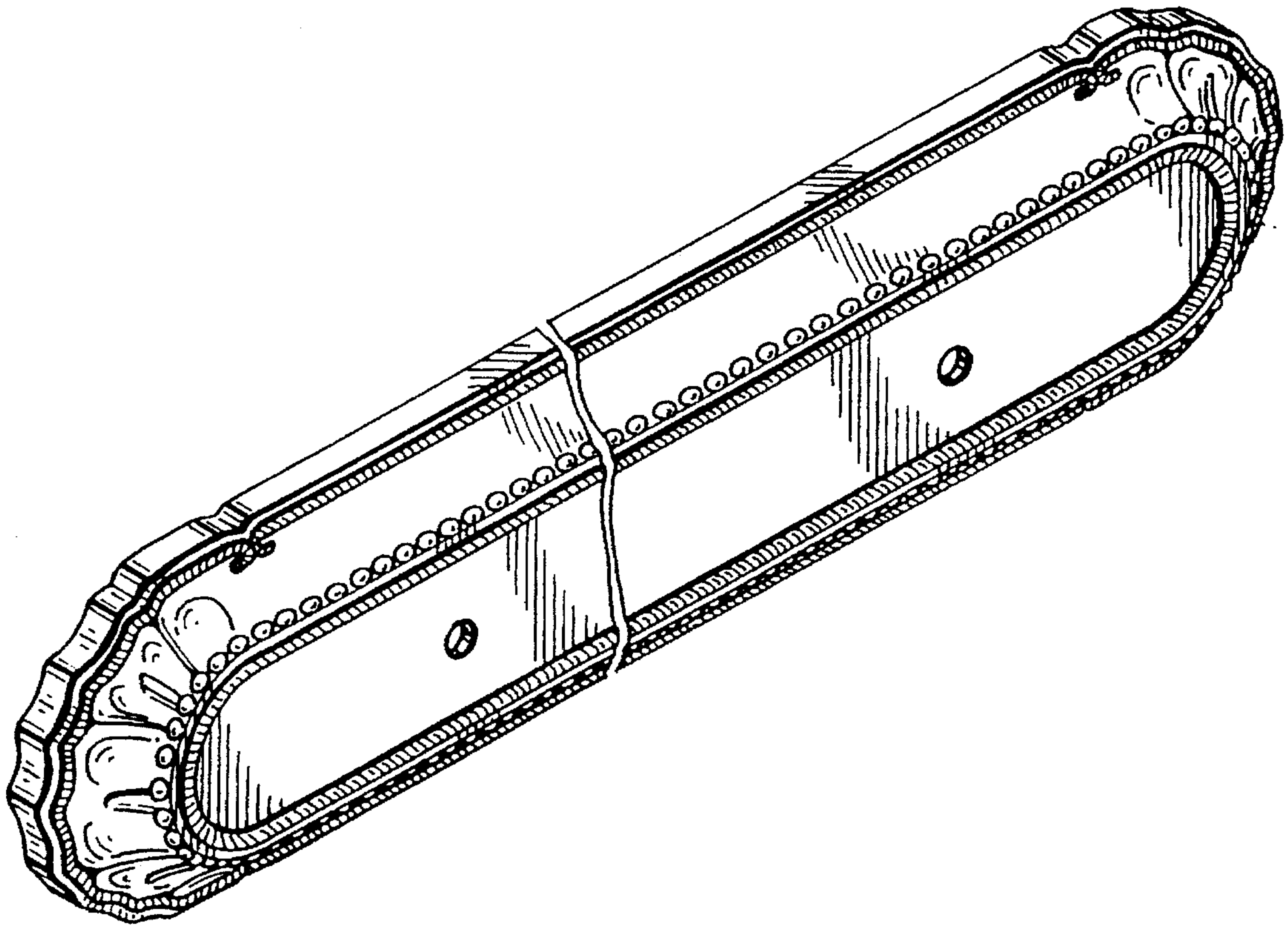


FIG. 1

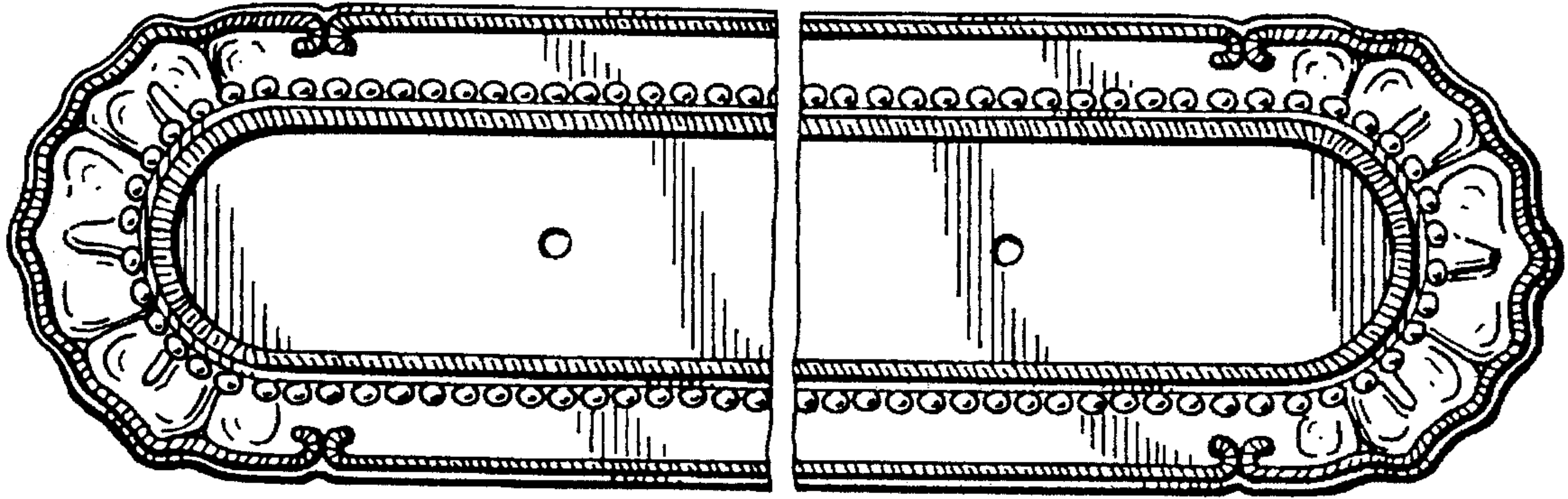


FIG. 2

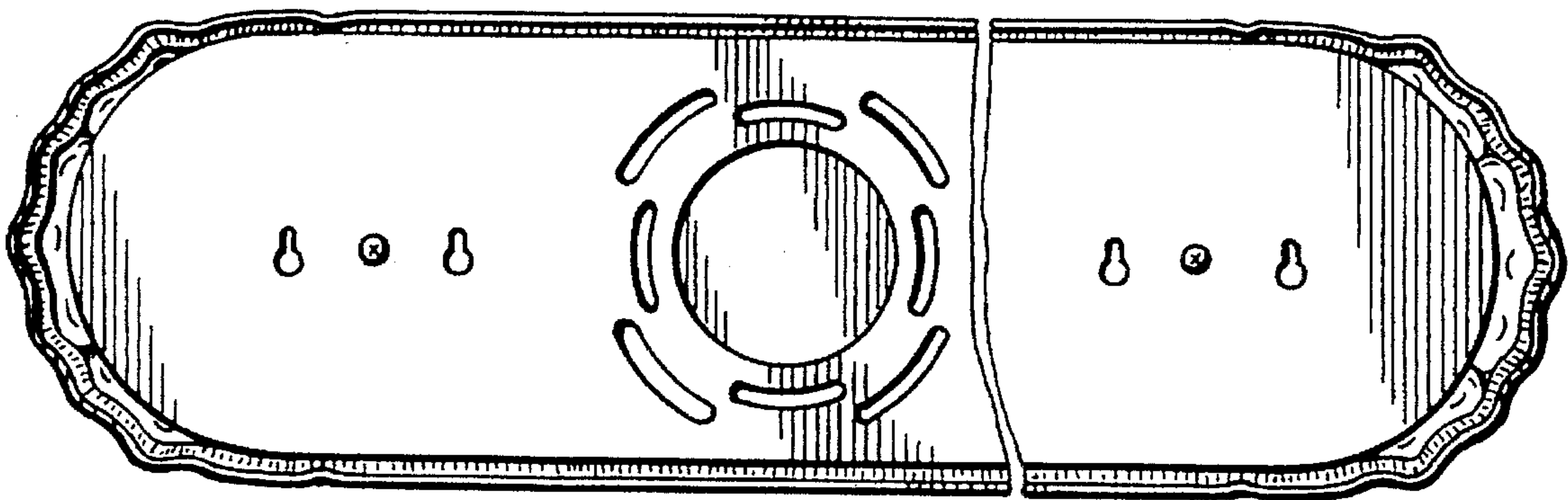


FIG. 3

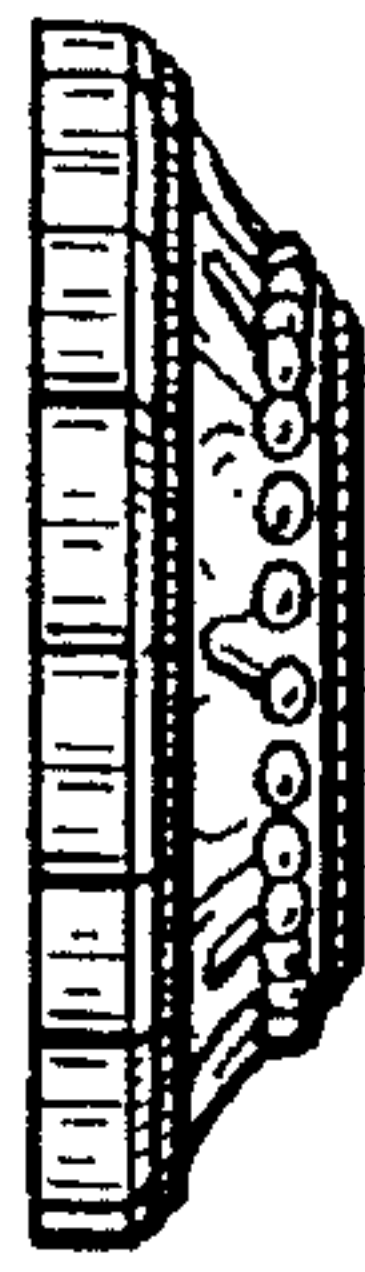


FIG. 4

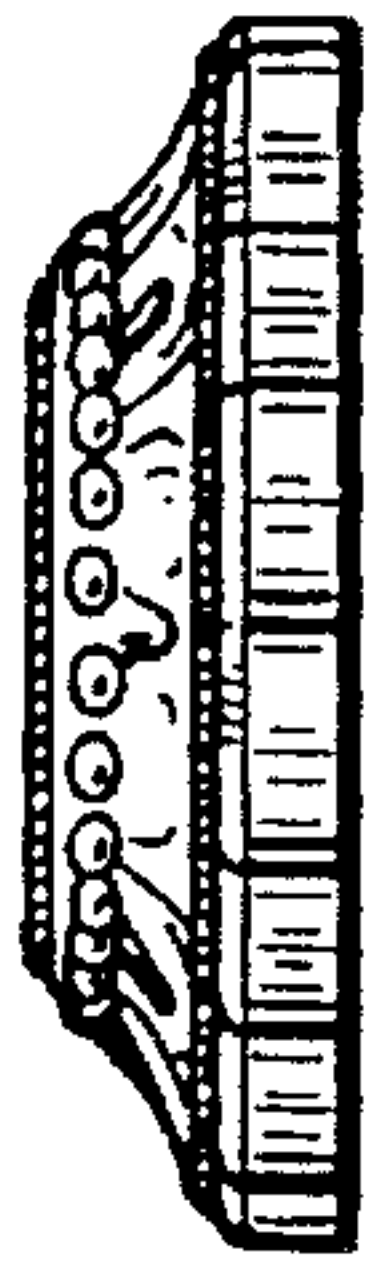


FIG. 5



FIG. 6

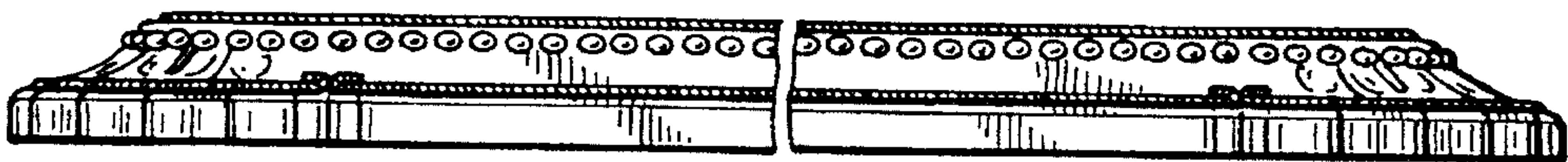


FIG. 7

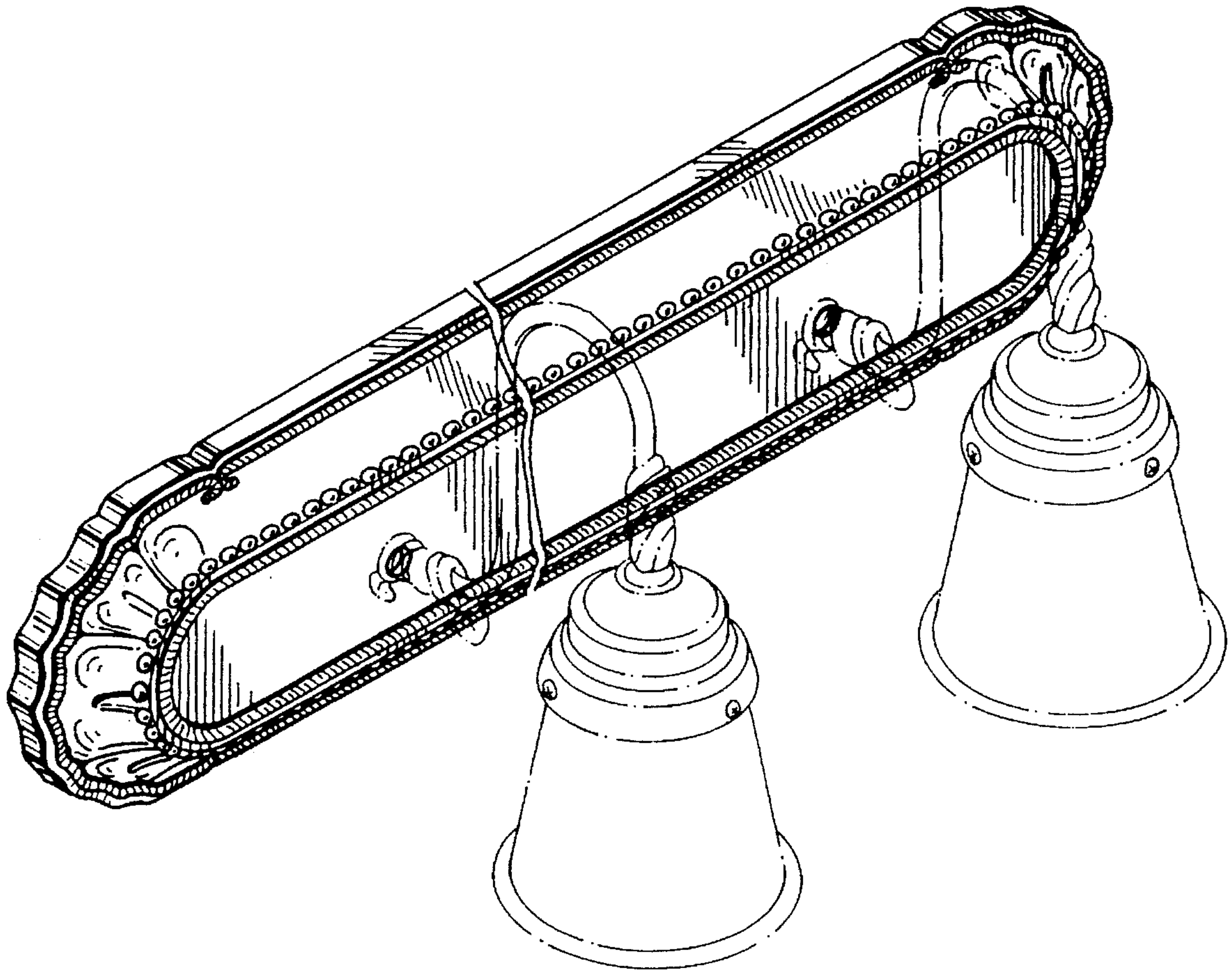


FIG. 8