



US00D372328S

United States Patent [19] Cheng

[11] Patent Number: **Des. 372,328**
[45] Date of Patent: ****Jul. 30, 1996**

[54] LAMP BASE

[75] Inventor: **Chan-Keng Cheng**, Sanchung City, Taiwan

[73] Assignee: **Donguan Juguan Metal Lighting Factory Co., Ltd.**, China

[**] Term: **14 Years**

[21] Appl. No.: **40,719**

[22] Filed: **Jun. 26, 1995**

[52] U.S. Cl. **D26/142; D8/352**

[58] Field of Search **D26/142, 143, D26/145, 152, 72, 80, 85, 87, 92; 362/147, 432; D8/352**

[56] **References Cited**

U.S. PATENT DOCUMENTS

D. 261,857	11/1981	Valli	D8/352 X
D. 356,384	3/1995	Pickett	D26/92
D. 358,680	5/1995	Chen	D26/142

Primary Examiner—Susan J. Lucas
Attorney, Agent, or Firm—Finnegan, Henderson, Farabow, Garrett & Dunner

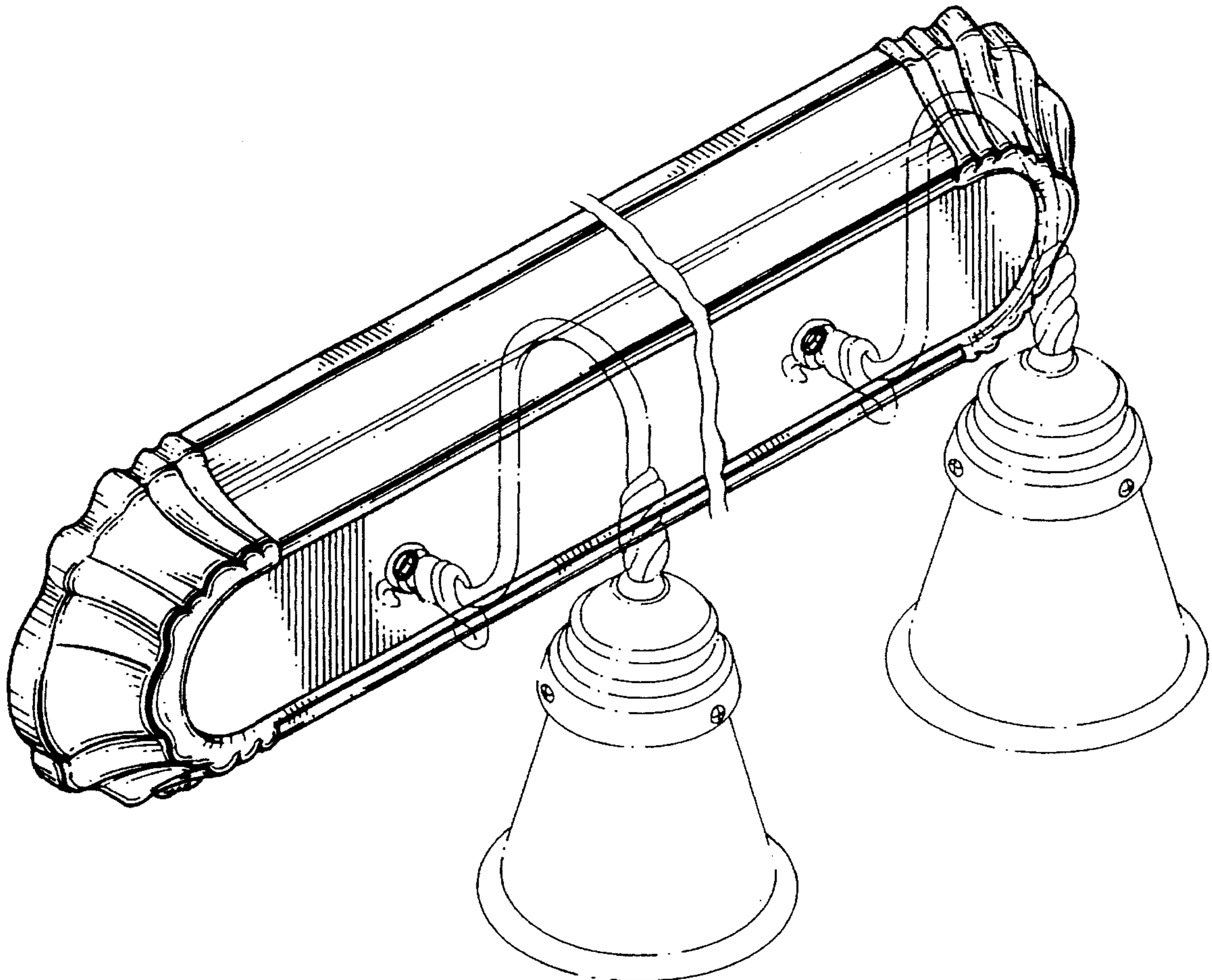
[57] **CLAIM**

The ornamental design for lamp base, as shown and described.

DESCRIPTION

FIG. 1 is a perspective view of lamp base showing my new design;
FIG. 2 is a front elevational view thereof;
FIG. 3 is a rear elevational view thereof;
FIG. 4 is a left side elevational view thereof;
FIG. 5 is a right side elevational view thereof;
FIG. 6 is a top plan view thereof;
FIG. 7 is a bottom plan view thereof; and,
FIG. 8 is a perspective view thereof when in use.
The lamp base is broken away to indicate indeterminate length. The lamp holders are shown in broken lines in FIG. 8 for illustrative purposes only and form no part of the claimed design.

1 Claim, 5 Drawing Sheets



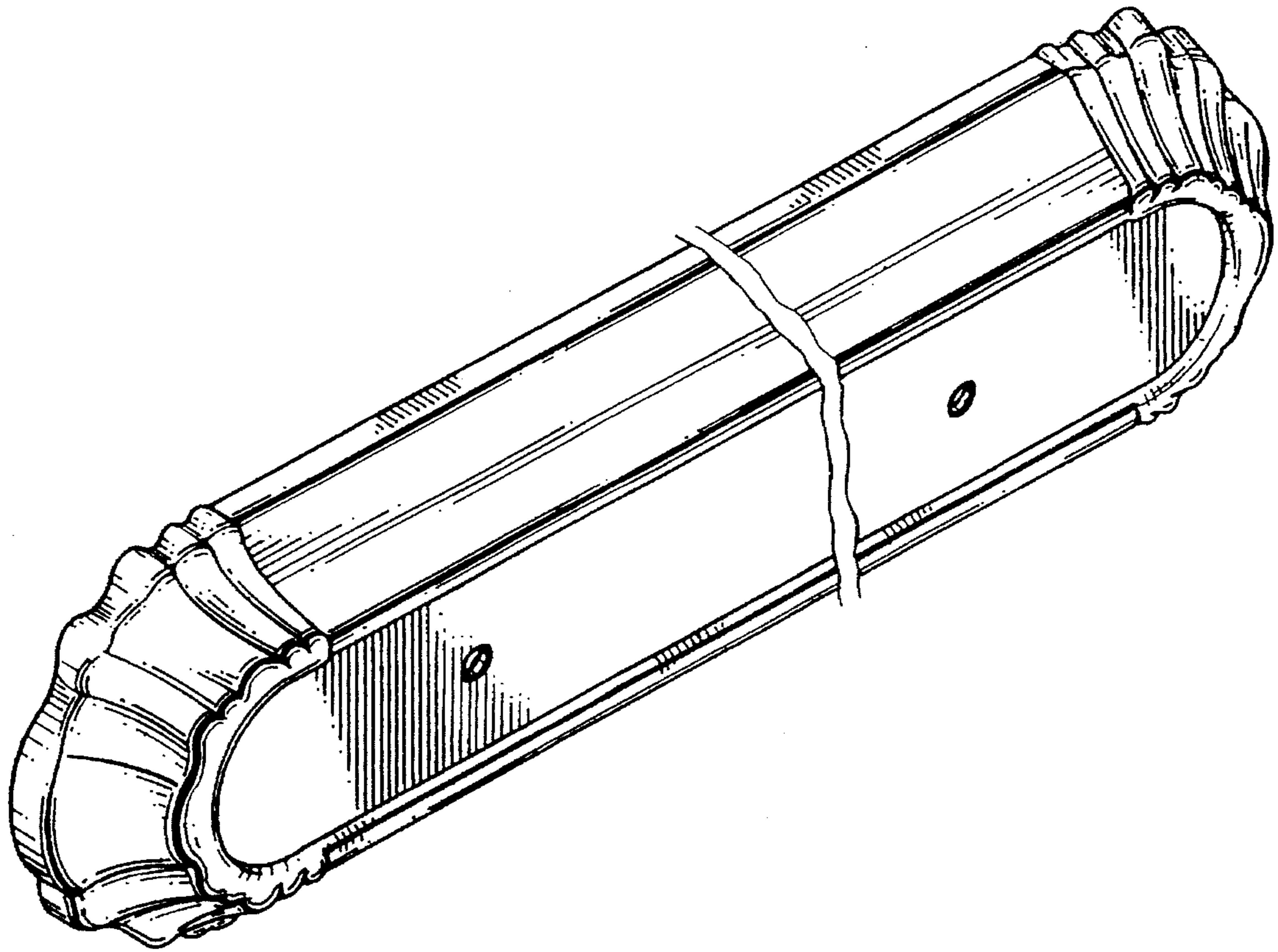


FIG. 1

FIG. 3

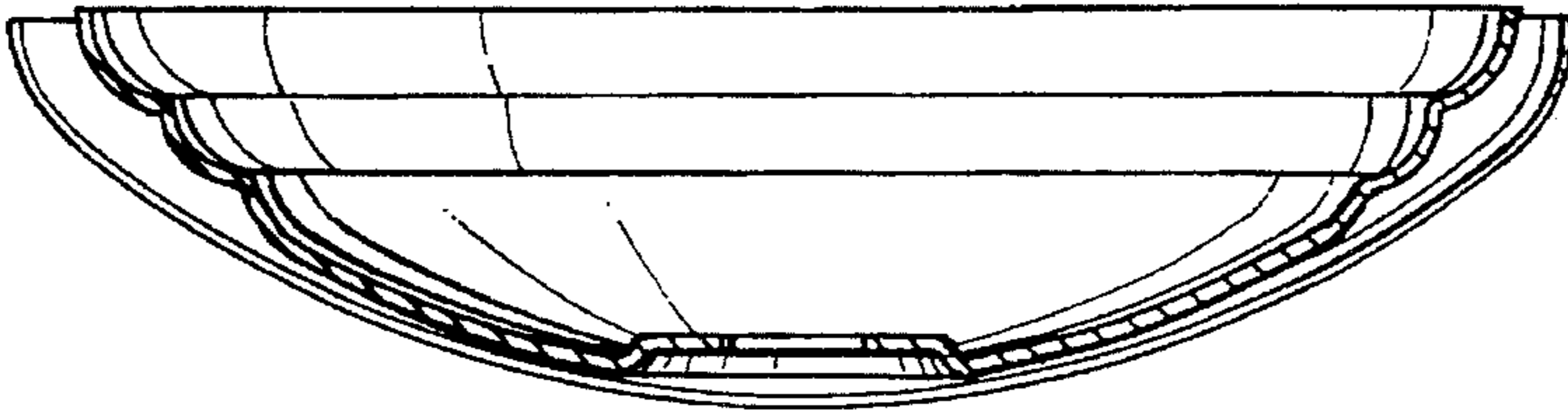


FIG. 4

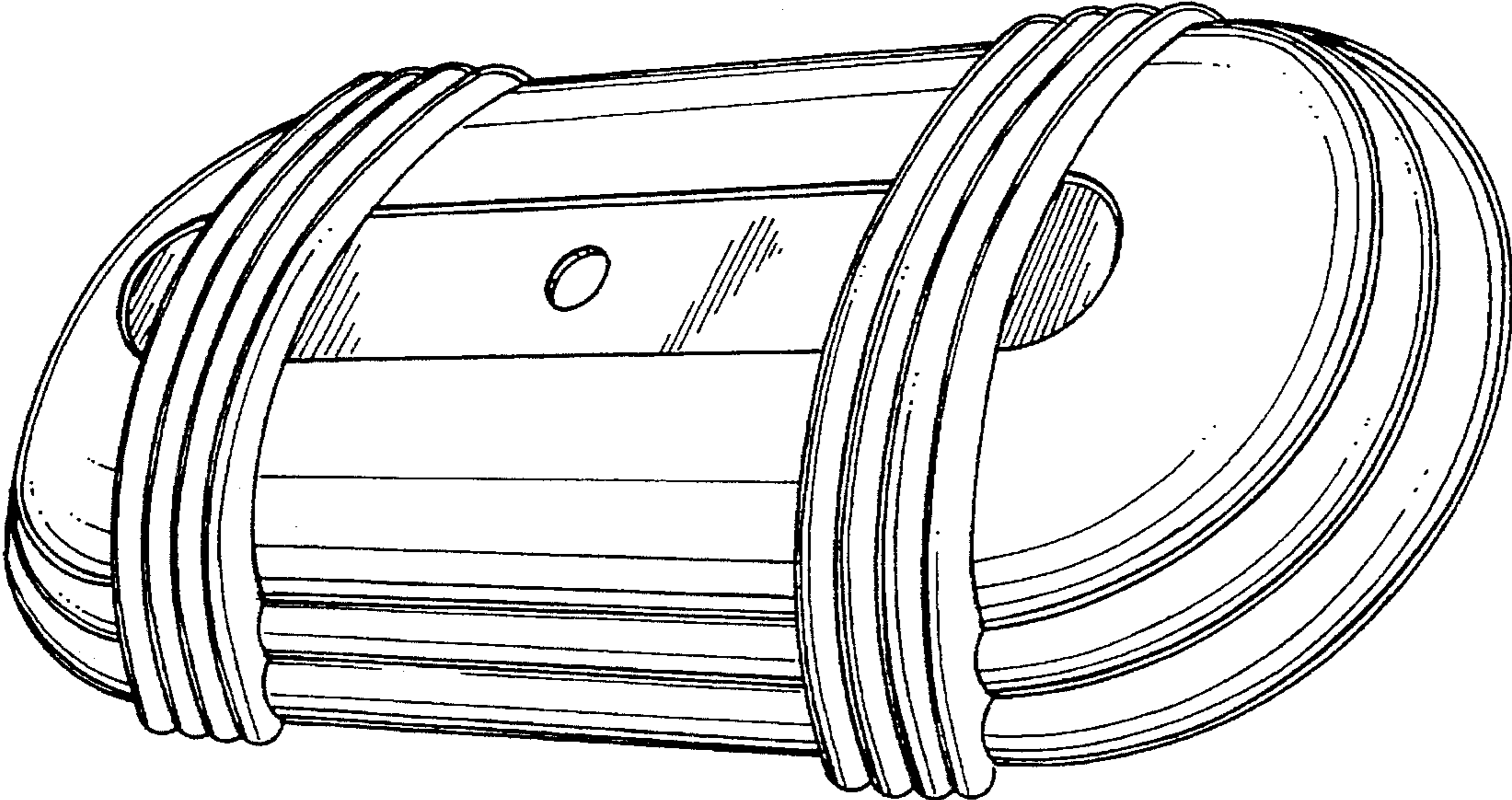




FIG. 4



FIG. 5

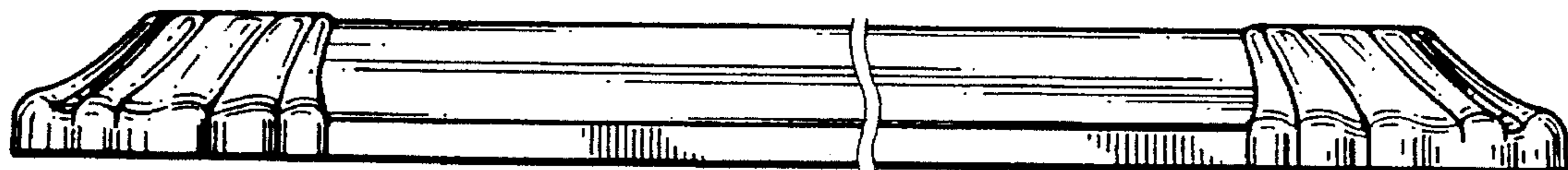


FIG. 6

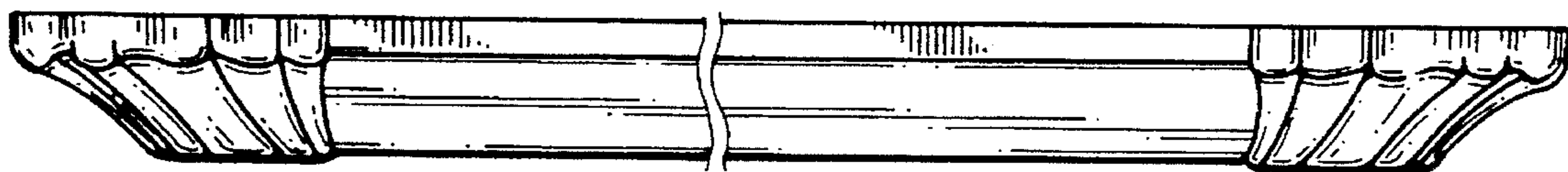


FIG. 7

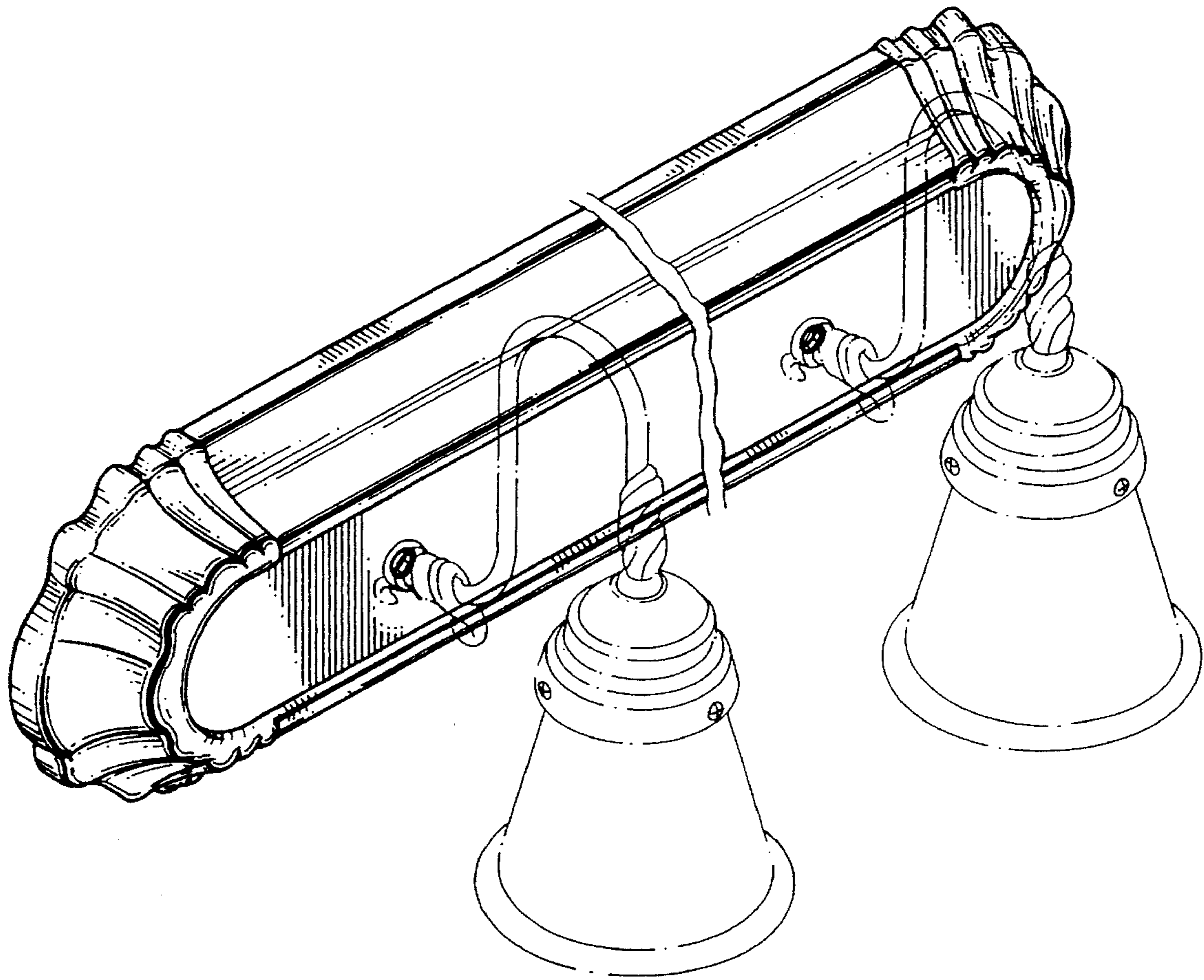


FIG. 8