



US00D372322S

# United States Patent [19]

[11] Patent Number: **Des. 372,322**

Porter

[45] Date of Patent: **\*\*Jul. 30, 1996**

[54] **CEILING MOUNTED LIGHTING FIXTURE**

[75] Inventor: **David H. Porter**, Chagrin Falls, Ohio

[73] Assignee: **The L. D. Kichler Co.**, Cleveland, Ohio

[\*\*] Term: **14 Years**

[21] Appl. No.: **40,497**

[22] Filed: **Jun. 20, 1995**

### Related U.S. Application Data

[63] Continuation-in-part of Ser. No. 29,561, Oct. 11, 1994.

[52] U.S. Cl. .... **D26/88**

[58] Field of Search ..... D26/72, 80-86, D26/88, 89, 90; 362/147, 404-408

### [56] References Cited

#### PUBLICATIONS

Elgee Lighting Catalog, 1991, p. 27, Ceiling Lamp #543-PB.

Forecast Lighting Catalog, ©1993, p. 46, Ceiling Lamp #5600-01.

Kichler Lighting Catalog 793, dated Jul. 1993, p. 23, printed U.S.A.

*Primary Examiner*—Susan J. Lucas

*Attorney, Agent, or Firm*—Watts, Hoffmann, Fisher & Heinke

### [57] CLAIM

The ornamental design for a ceiling mounted lighting fixture, as shown and described.

### DESCRIPTION

FIG. 1 is a perspective view of a ceiling mounted lighting fixture showing my new design;

FIG. 2 is a front elevational view of the ceiling mounted lighting fixture;

FIG. 3 is a rear elevational view of the ceiling mounted lighting fixture of FIG. 1;

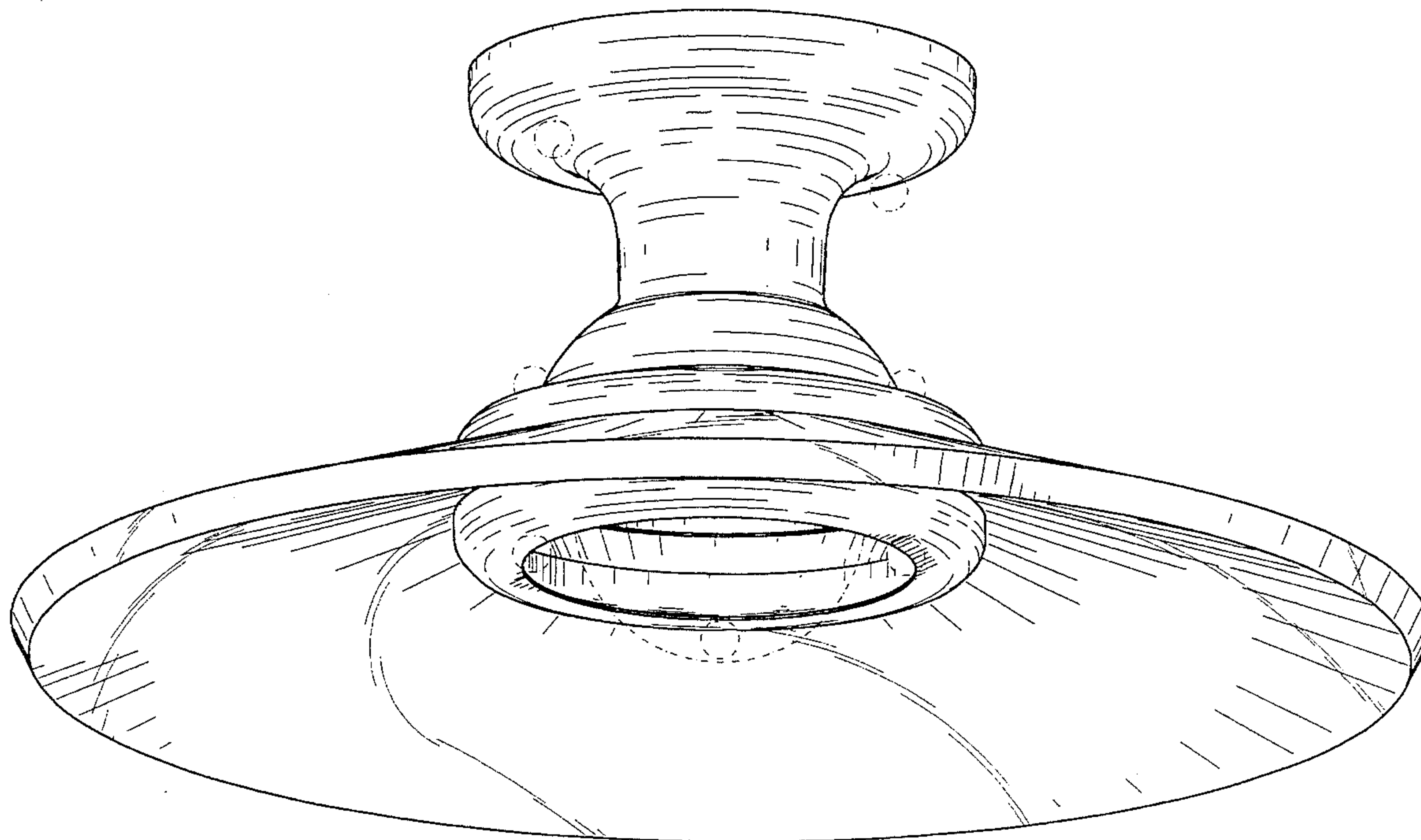
FIG. 4 is a right side elevational view of the ceiling mounted lighting fixture, the left side elevational view being the same as the right side elevational view;

FIG. 5 is a top plan view of the ceiling mounted lighting fixture; and,

FIG. 6 is a bottom plan view of the ceiling mounted lighting fixture.

The broken lines showing parts of the ceiling mounted lighting fixture are for illustrative purposes only.

**1 Claim, 3 Drawing Sheets**



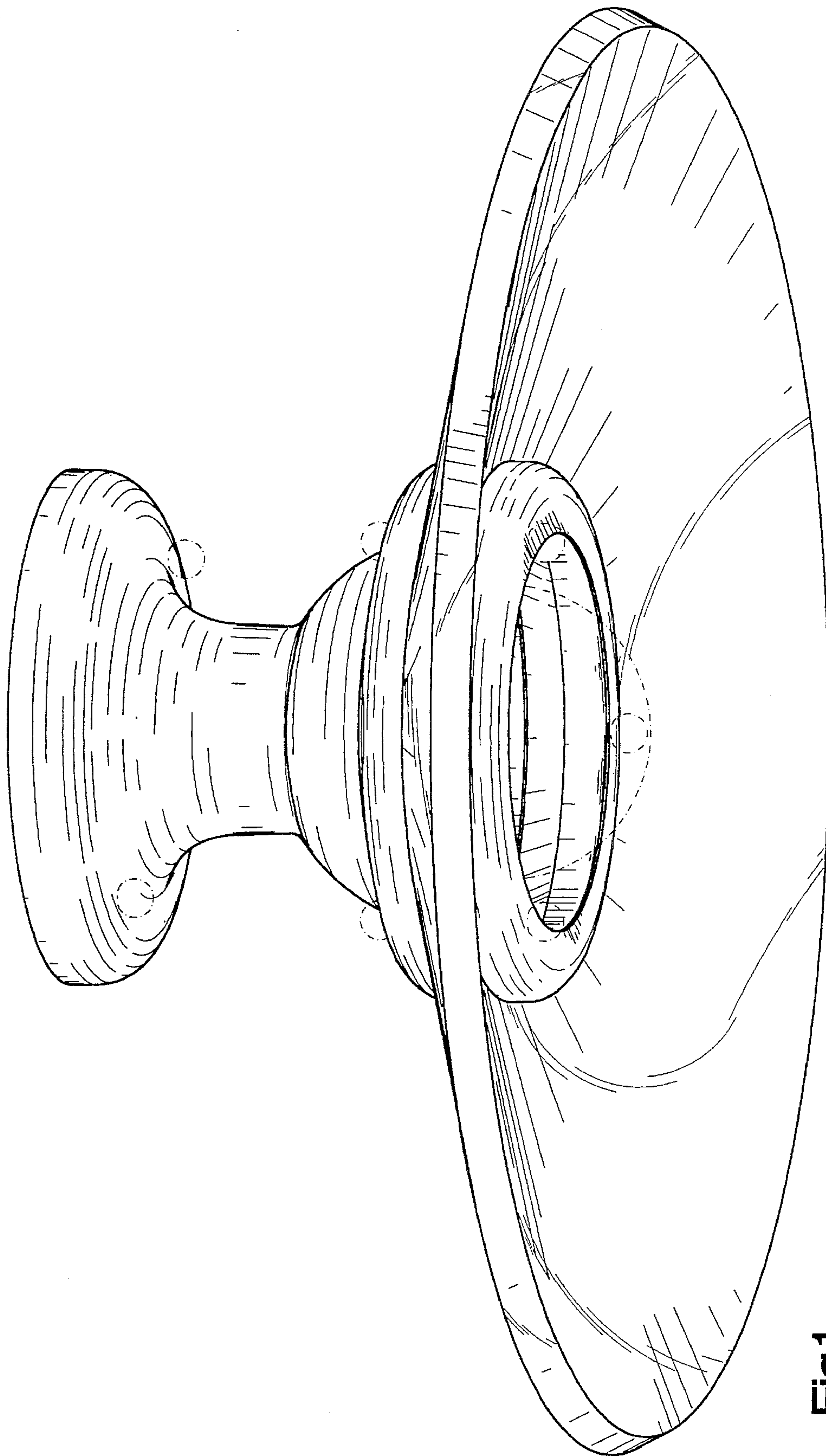


Fig.1

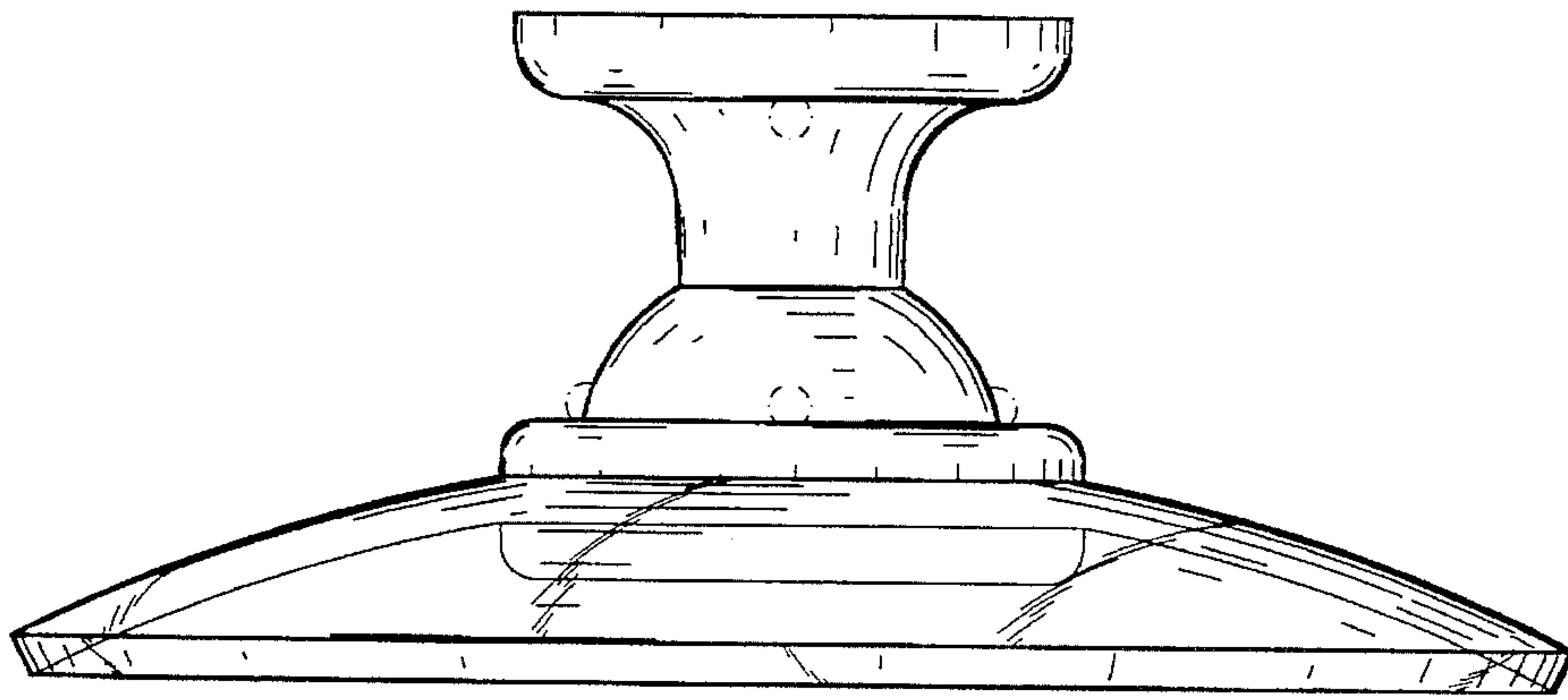


Fig.2

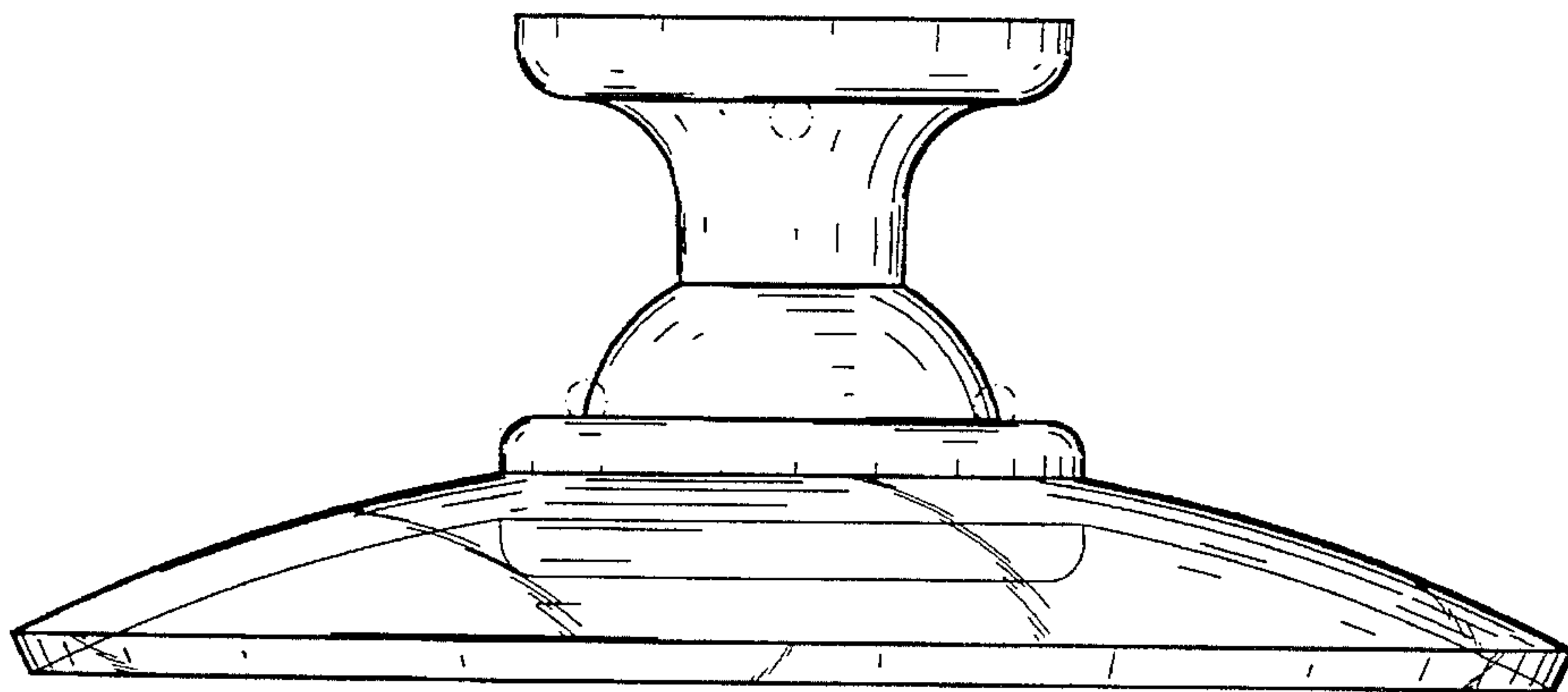


Fig.3

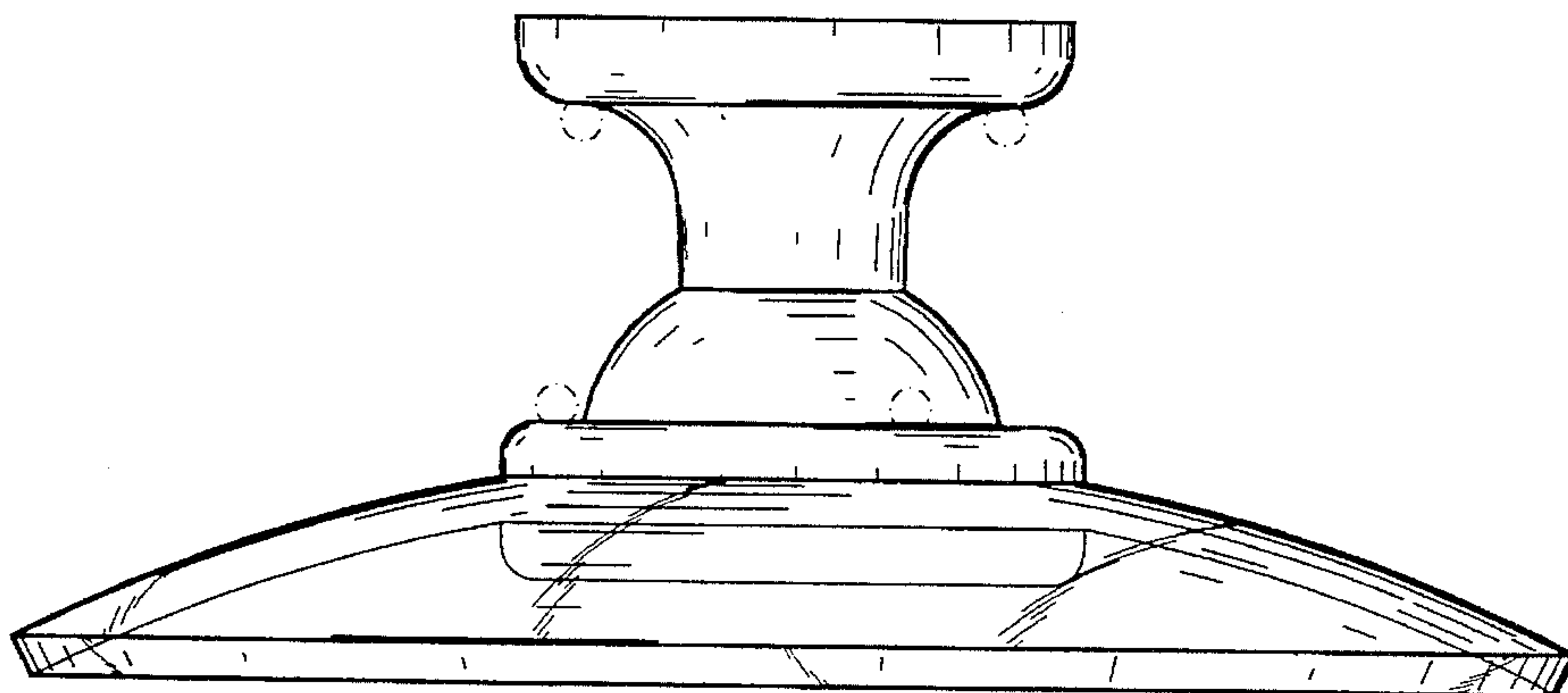


Fig.4



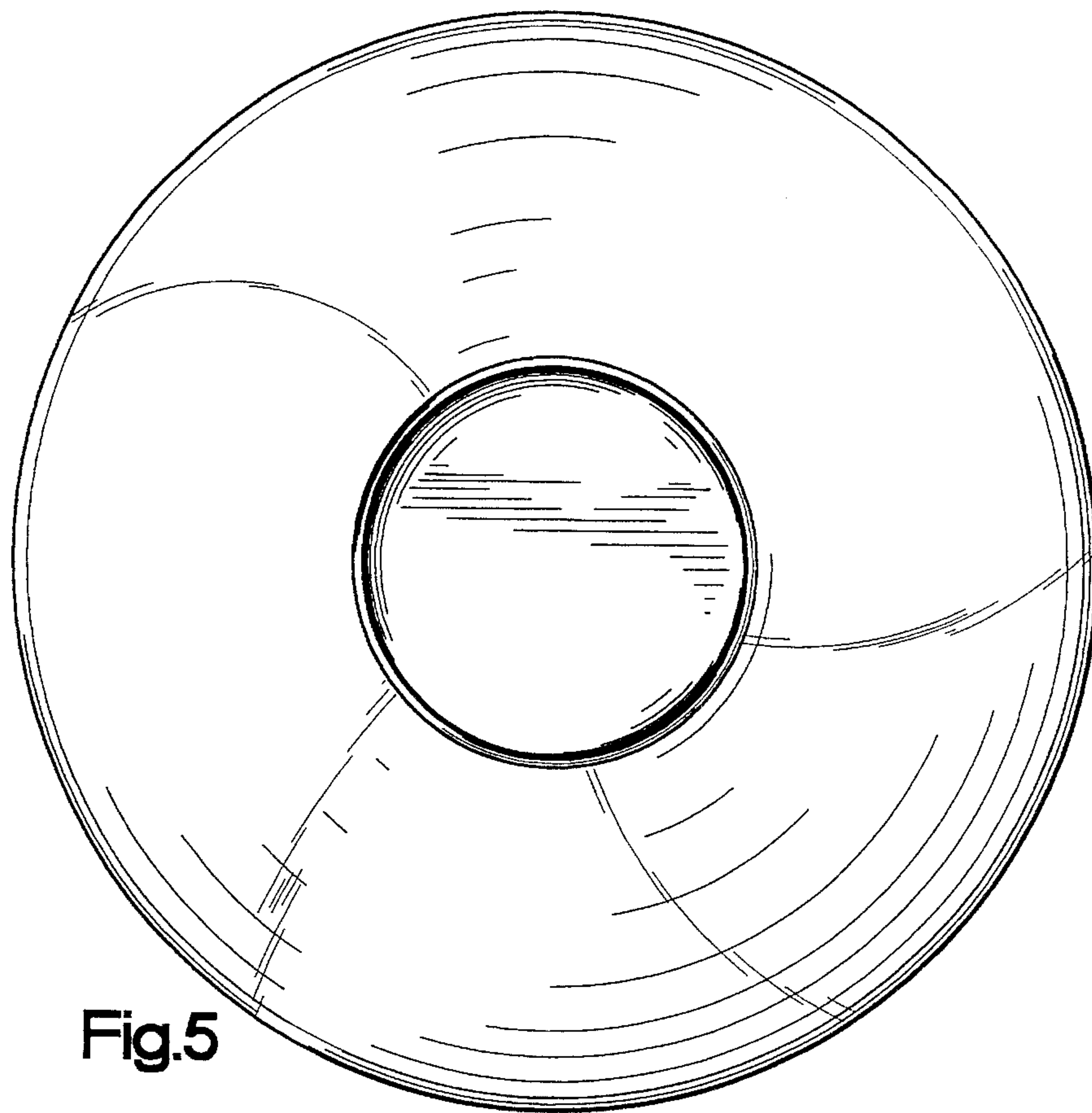


Fig.5

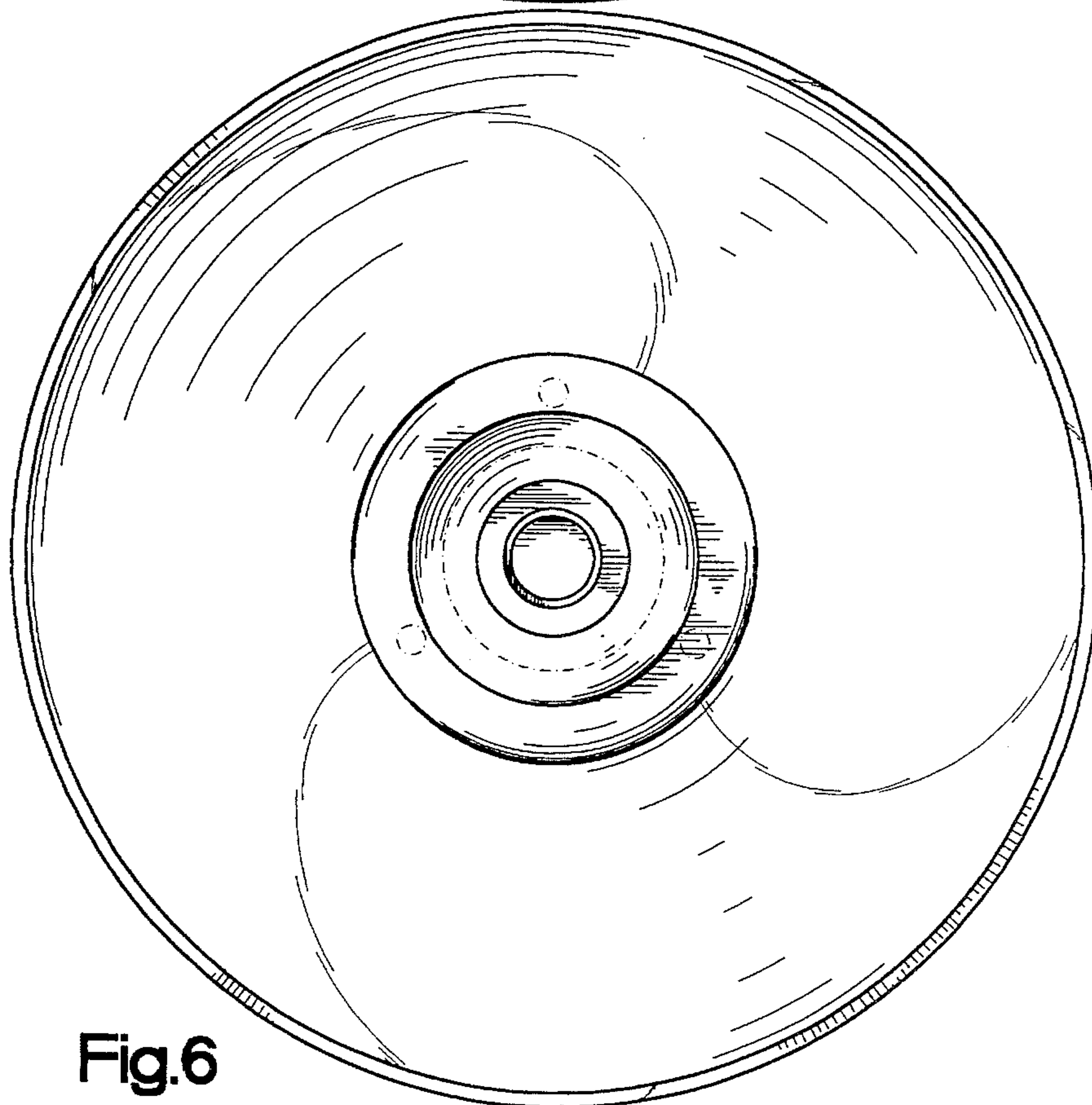


Fig.6