



US00D372321S

United States Patent [19]
Hammar

[11] **Patent Number: Des. 372,321**
[45] **Date of Patent: **Jul. 30, 1996**

[54] **CHANDELIER**

[75] Inventor: **Richard Hammar**, Mentor, Ohio

[73] Assignee: **The L.D. Kichler Co.**, Cleveland, Ohio

[**] Term: **14 Years**

[21] Appl. No.: **39,252**

[22] Filed: **May 25, 1995**

[52] U.S. Cl. **D26/84**

[58] Field of Search **D26/72, 80-86,
D26/88, 89, 90; 362/147, 404-408**

Kichler Lighting Catalog No. 793, dated Jul. 1993, pp. 10-13, printed U.S.A.

Design Lighting Products So., Catalog No. 4-1990, dated 1990, p. 55, printed U.S.A.

HA Framburg & Co., Catalog p. 63, dated unknown, printed U.S.A.

Primary Examiner—Susan J. Lucas

Attorney, Agent, or Firm—Watts, Hoffmann, Fisher & Heinke

[57] **CLAIM**

The ornamental design for a chandelier, as shown and described.

[56] **References Cited**

U.S. PATENT DOCUMENTS

D. 62,137	3/1923	Growell	D26/84
D. 62,701	7/1923	Crowell	D26/84
D. 70,724	8/1926	Aglow	D26/84
D. 71,373	11/1926	Geringer	D26/84

OTHER PUBLICATIONS

Home Lighting & Accessories, Sep. 1993, p. 31, Kalco Lighting, Inc. Chandelier.

Thomas Lighting Industries, Inc, 1988, p. 63, Chandelier #M2026-50.

DESCRIPTION

FIG. 1 is a front perspective view of a chandelier showing my new design;

FIG. 2 is a right side elevational view of the chandelier, the left side elevational view being a mirror image;

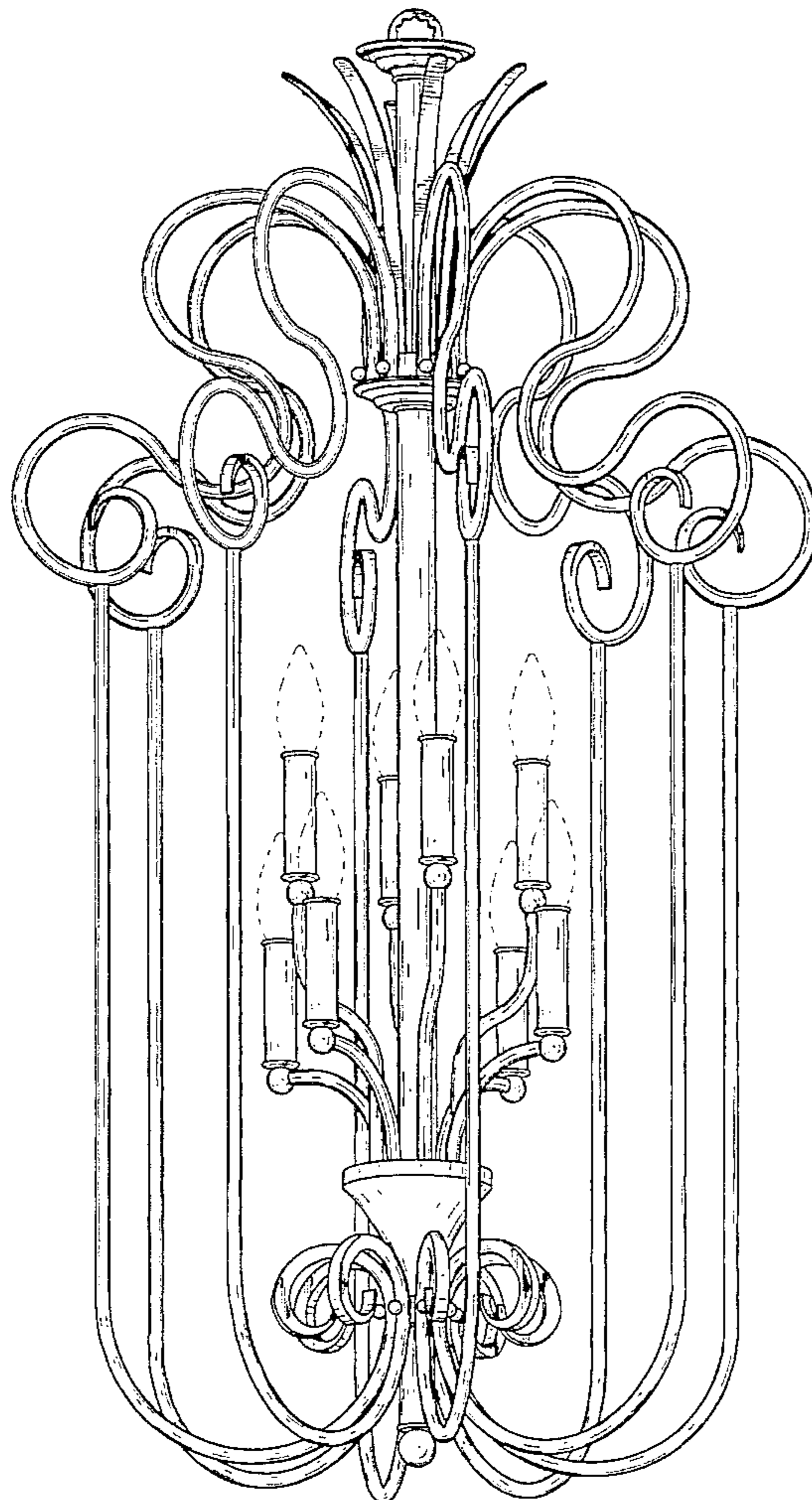
FIG. 3 is a front elevational view of the chandelier, the rear elevational view being a mirror image;

FIG. 4 is a top plan view of the chandelier; and,

FIG. 5 is a bottom plan view of the chandelier.

The broken lines showing of the lights is for illustrative purposes only and forms no part of the claimed design.

1 Claim, 5 Drawing Sheets



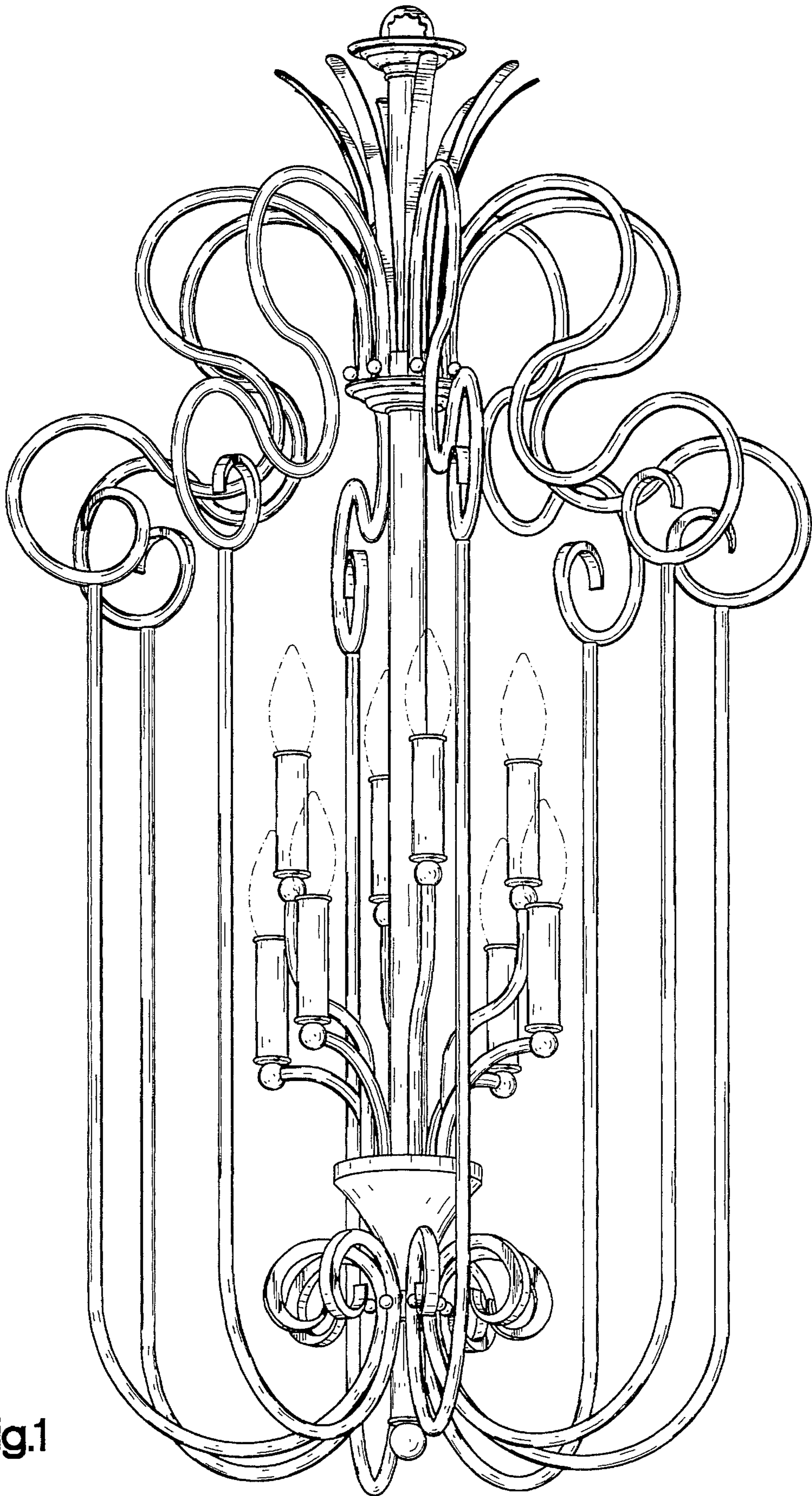


Fig.1

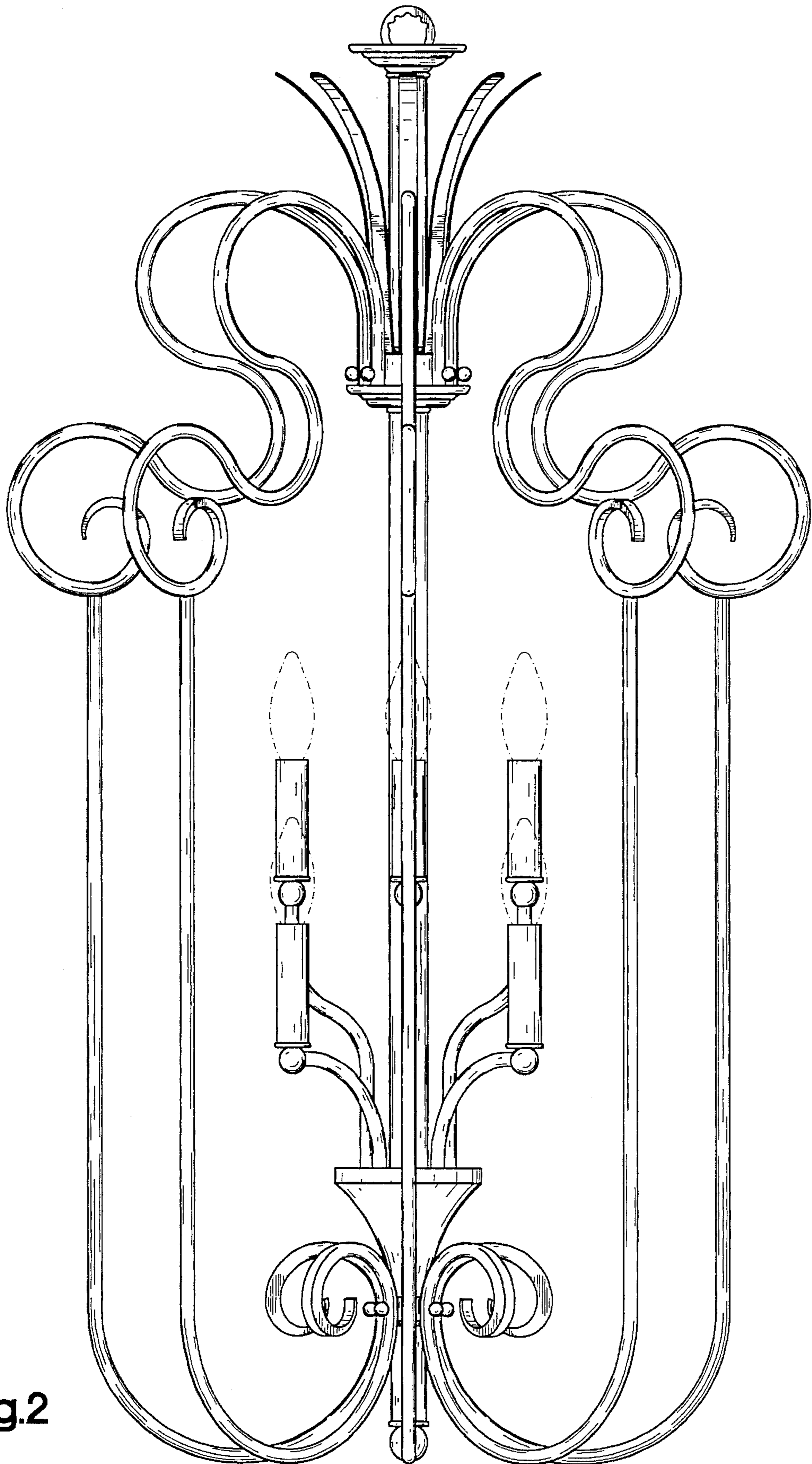


Fig.2

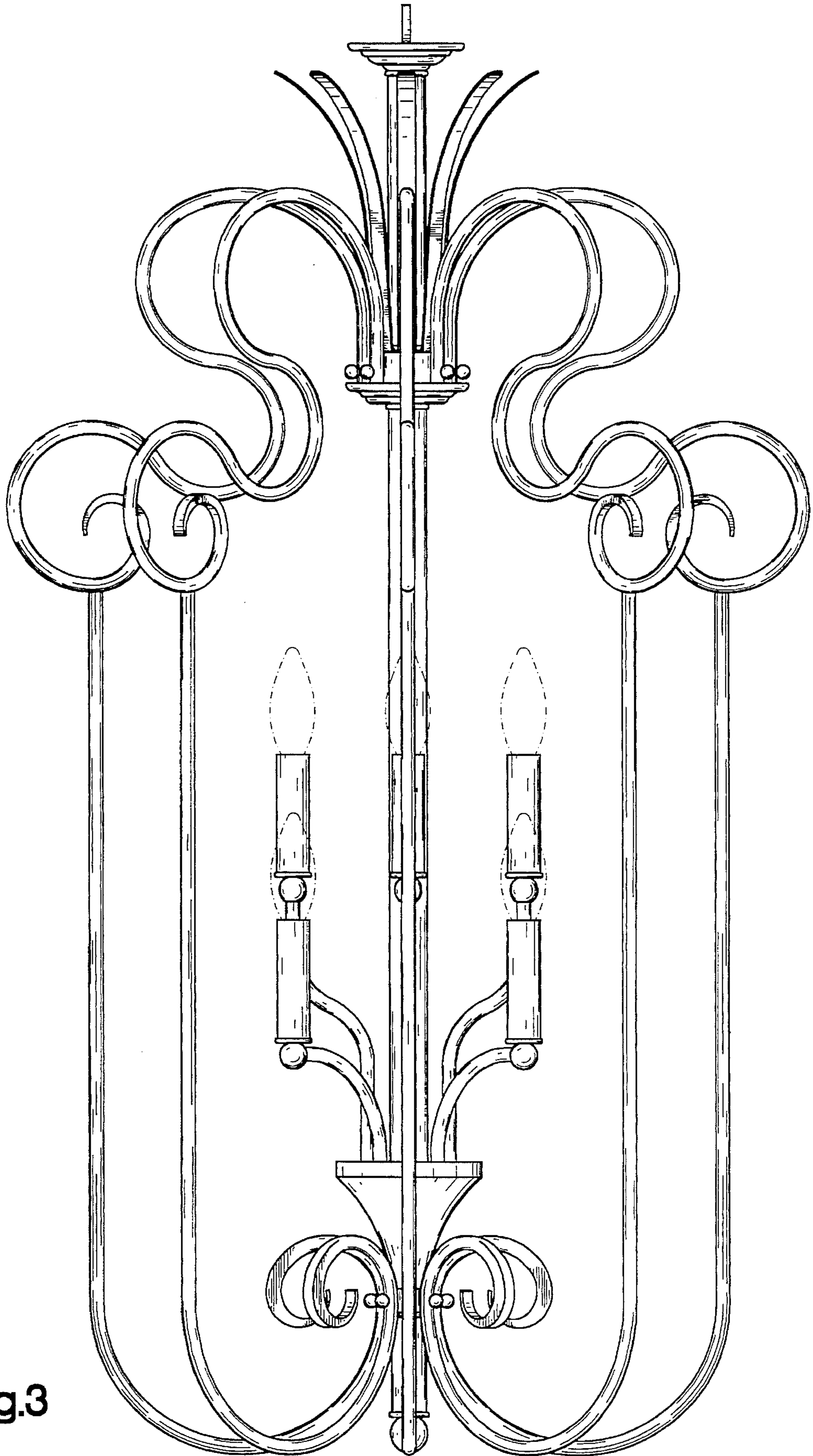


Fig.3

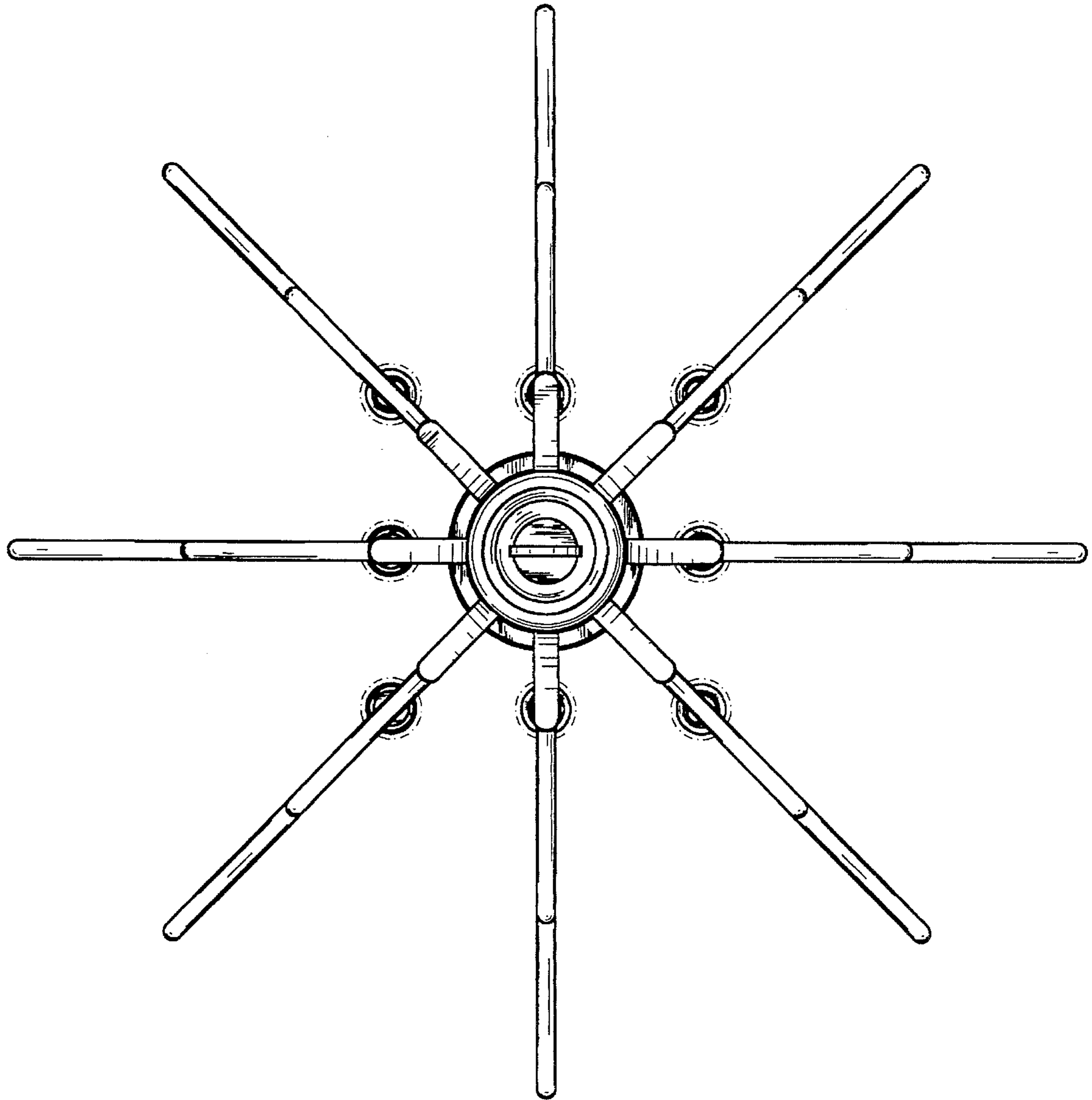


Fig.4

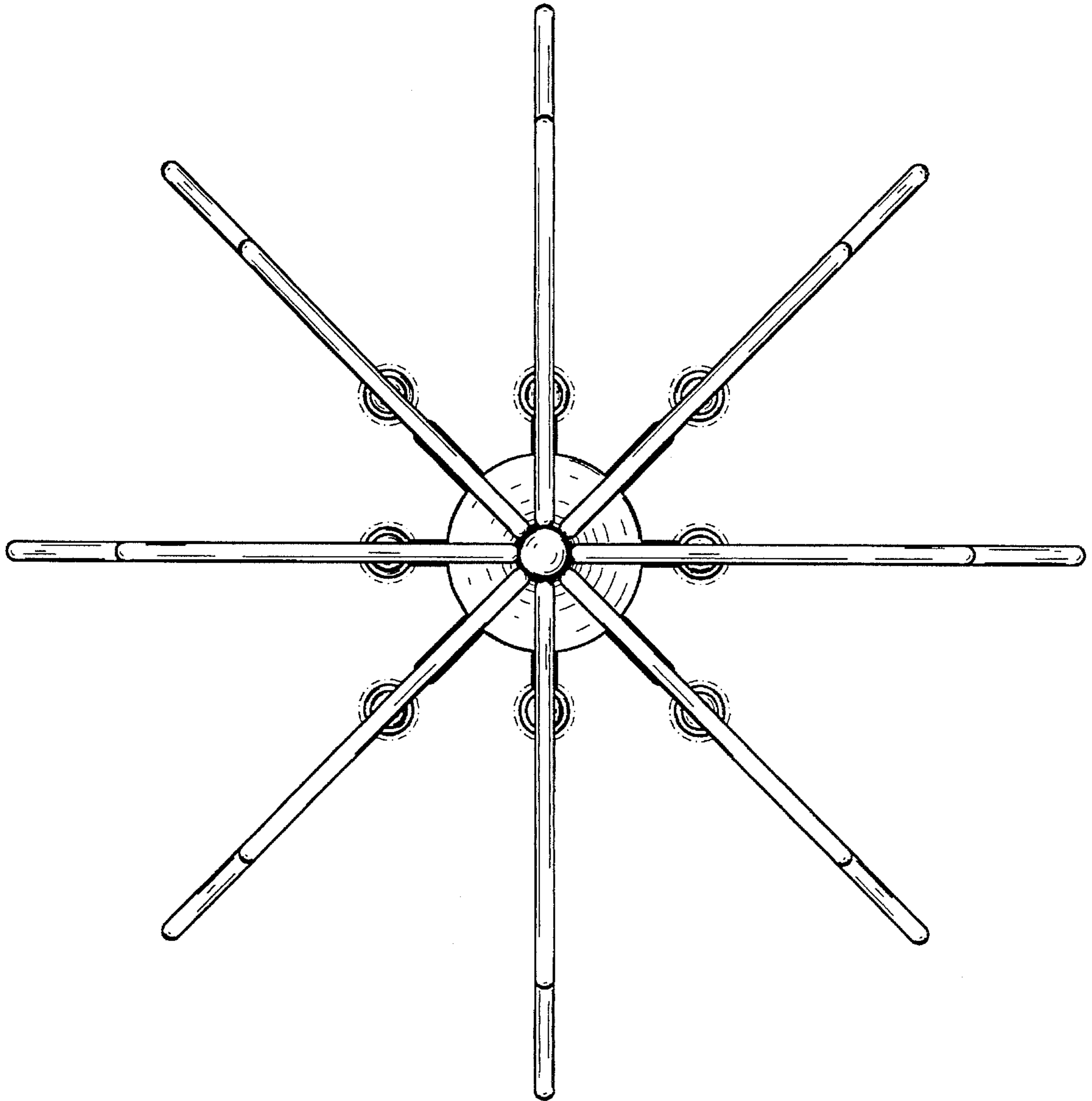


Fig.5