



US00D372319S

# United States Patent [19] Carbone

[11] Patent Number: **Des. 372,319**

[45] Date of Patent: **\*\*Jul. 30, 1996**

[54] **HEAD FOR A FLASHLIGHT**

[75] Inventor: **Richard J. Carbone**, Southbury, Conn.

[73] Assignee: **Black & Decker Inc.**, Newark, Del.

[\*\*] Term: **14 Years**

[21] Appl. No.: **39,171**

[22] Filed: **May 22, 1995**

[52] U.S. Cl. .... **D26/43**

[58] Field of Search ..... D26/37, 43, 44,  
D26/46, 60, 62; 362/157, 158, 184, 188,  
189, 191, 200, 202, 362, 396

- D. 311,593 10/1990 Fenne .
- D. 311,777 10/1990 Stearns .
- D. 314,246 1/1991 Bache .
- D. 314,634 2/1991 Fenne .
- D. 315,802 3/1991 Uke .
- D. 321,062 10/1991 Bonbright .
- D. 322,681 12/1991 Yuen .
- D. 323,717 2/1992 Fung .
- D. 324,580 3/1992 Young .
- D. 328,145 7/1992 Yuen .
- D. 328,146 7/1992 Sinsteden .
- D. 328,501 8/1992 Yuen .
- D. 329,504 9/1992 Yuen .
- D. 332,322 1/1993 Cheng .
- D. 334,822 4/1993 Antognazza .
- D. 337,839 7/1993 Zeller .
- D. 338,542 8/1993 Yuen .
- D. 341,220 11/1993 Eagan .

(List continued on next page.)

[56] **References Cited**

**U.S. PATENT DOCUMENTS**

- D. 142,796 11/1945 Schofield .
- D. 147,258 8/1947 Becker .
- D. 152,584 2/1949 Becker .
- D. 166,073 3/1952 Dunkelberger .
- D. 190,295 5/1961 Becker .
- D. 192,935 5/1962 Becker .
- D. 205,679 9/1966 Moore et al. .
- D. 221,248 7/1971 Angibaud .
- D. 228,519 10/1973 Moore .
- D. 229,963 1/1974 Kahn .
- D. 230,068 1/1974 Numbers .
- D. 231,011 3/1974 Vic .
- D. 231,483 4/1974 Beer .
- D. 240,322 6/1976 Staub .
- D. 271,909 12/1983 Mallory .
- D. 276,080 10/1984 Kung .
- D. 281,820 12/1985 Oba et al. .
- D. 283,645 4/1986 Tanaka .
- D. 292,131 9/1987 Fenne .
- D. 294,644 3/1988 Ohashi .
- D. 296,478 6/1988 Powell et al. .
- D. 300,667 4/1989 Ohashi .
- D. 302,325 7/1989 Charet et al. .
- D. 304,089 10/1989 Wan .
- D. 304,090 10/1989 Wan .
- D. 306,351 2/1990 Charet et al. .
- D. 308,254 5/1990 Ohashi .
- D. 308,255 5/1990 Emmerling .
- D. 308,257 5/1990 Staubitz et al. .
- D. 311,066 10/1990 Fenne .

**FOREIGN PATENT DOCUMENTS**

- 685931 8/1986 Japan ..... D26/43
- 685937 8/1986 Japan ..... D26/43

*Primary Examiner*—A. Hugo Word  
*Assistant Examiner*—Lavone D. Tabor  
*Attorney, Agent, or Firm*—Barry E. Deutsch

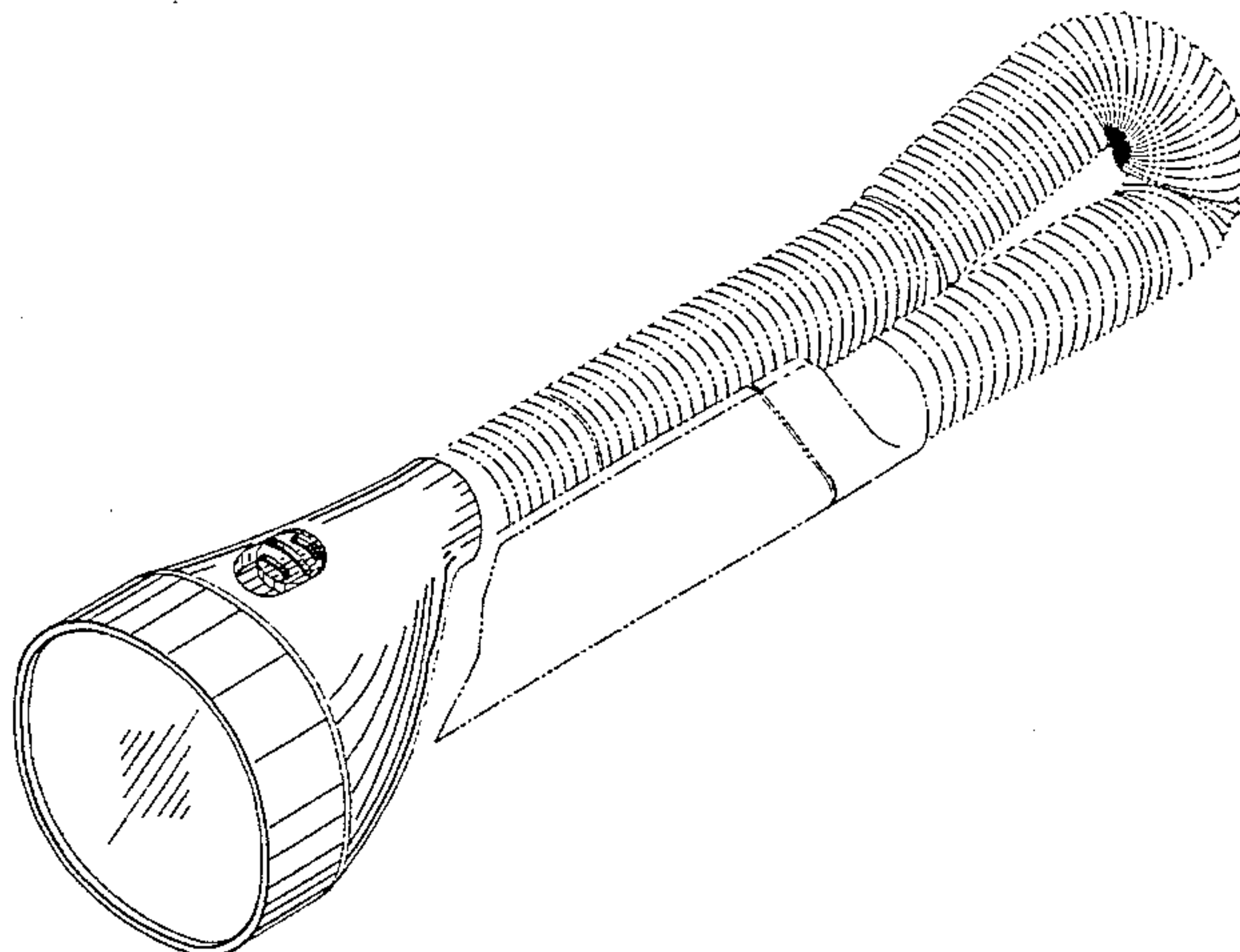
[57] **CLAIM**

The ornamental design for a head for a flashlight, as shown and described.

**DESCRIPTION**

FIG. 1 is a perspective view taken from the front, top and right side of a head for a flashlight illustrating my new design, the portion shown in phantom is illustrative of a flexible core to which my new design may be attached; FIG. 2 is a right side elevational view thereof; FIG. 3 is a left side elevational view thereof; FIG. 4 is a front elevational view thereof; FIG. 5 is a rear elevational view thereof; FIG. 6 is a top plan view thereof; and, FIG. 7 is a bottom plan view thereof. The broken lines are for illustrative purposes only and form no part of the claimed design.

**1 Claim, 3 Drawing Sheets**



## U.S. PATENT DOCUMENTS

D. 343,468	1/1994	Yuen .	3,124,306	3/1964	Schotz .
D. 344,152	2/1994	Yuen .	3,393,311	7/1968	Dahl .
D. 345,810	4/1994	Yuen .	3,393,312	7/1968	Dahl .
D. 349,354	8/1994	Yan .	3,731,084	5/1973	Trevorrow .
D. 351,673	10/1994	Fenne .	4,446,509	5/1984	Thomas .
D. 354,364	1/1995	Yuen .	4,495,550	1/1985	Visciano .
D. 355,040	1/1995	Dalton et al. .	4,800,472	1/1989	Burton et al. .
D. 356,175	3/1995	Yau .	4,839,599	6/1989	Fischer .
D. 357,760	4/1995	Osiecki et al. .	4,870,550	9/1989	Uke .
D. 358,224	5/1995	Burns .	4,985,812	1/1991	Uke .
2,467,954	4/1949	Becker .	4,998,190	3/1991	Claessen .
2,581,129	1/1952	Muldoon .	5,103,384	4/1992	Drohan .
2,648,762	8/1953	Dunkelberger .	5,154,483	10/1992	Zeller .
2,841,693	7/1958	Talbot .	5,163,752	11/1992	Copeland et al. .
3,103,723	9/1963	Becker .	5,239,451	8/1993	Menke et al. .
3,111,277	11/1963	Grimsley .	5,268,826	12/1993	Greene .
			5,276,596	1/1994	Krenzel .

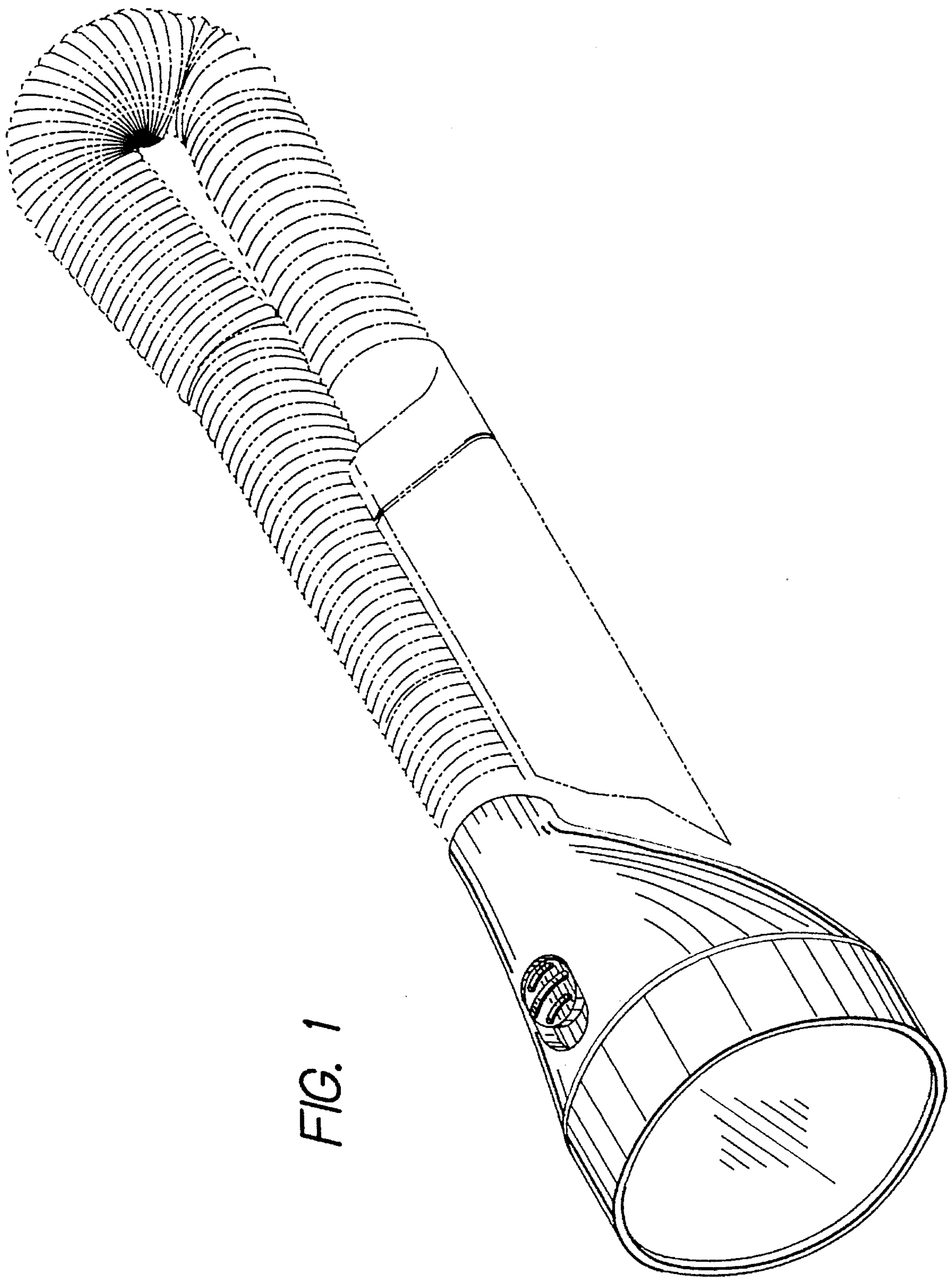


FIG. 1



FIG. 2

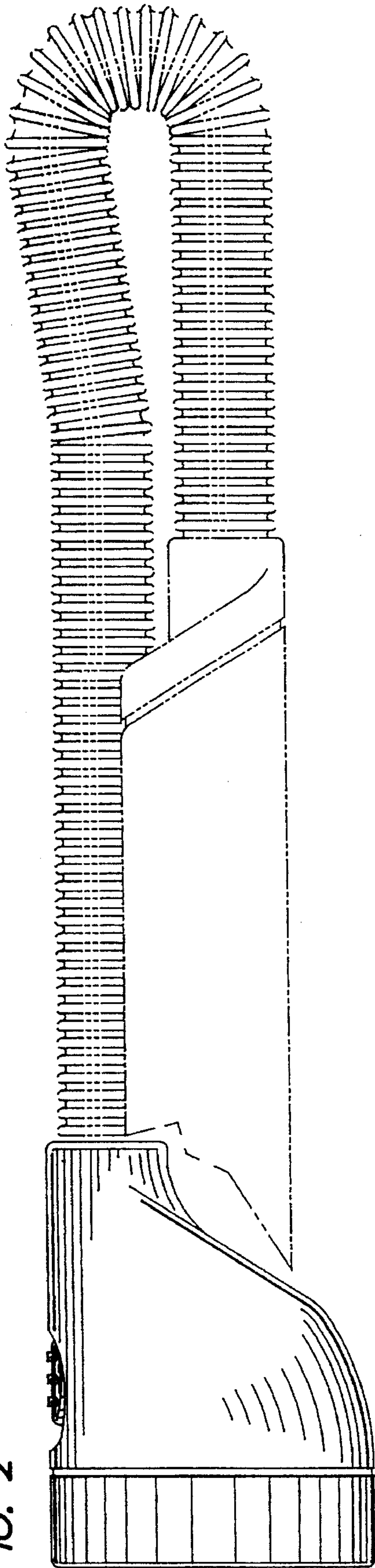
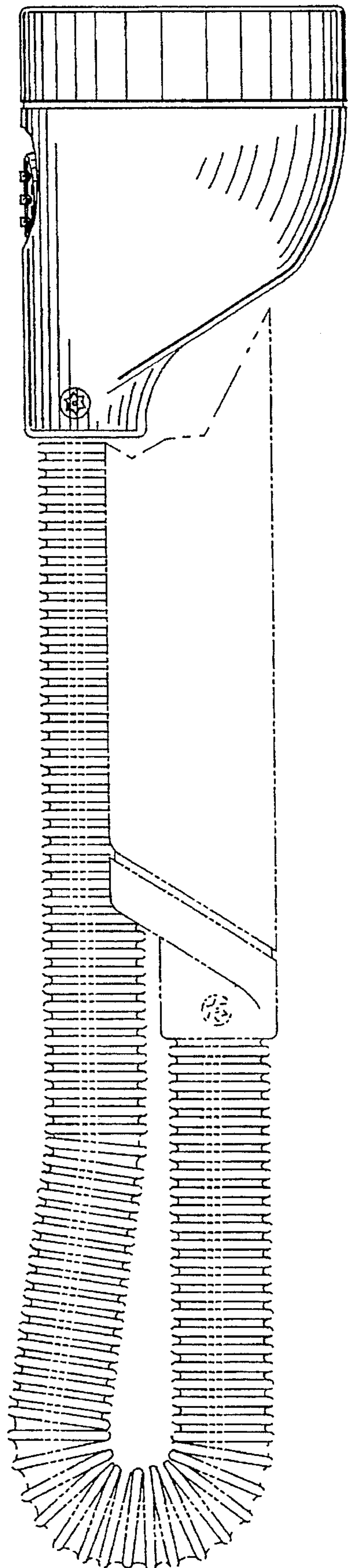


FIG. 3



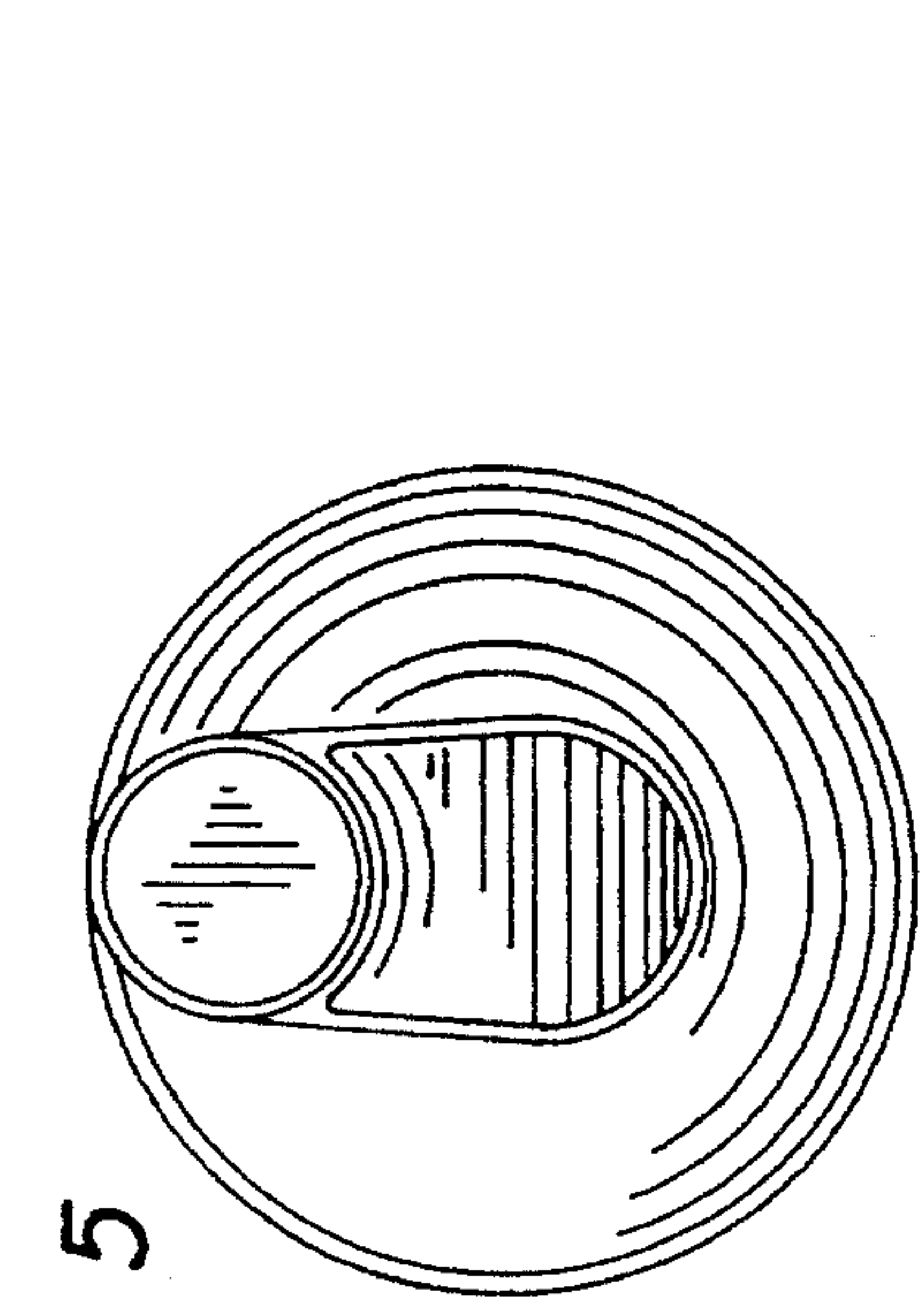


FIG. 4

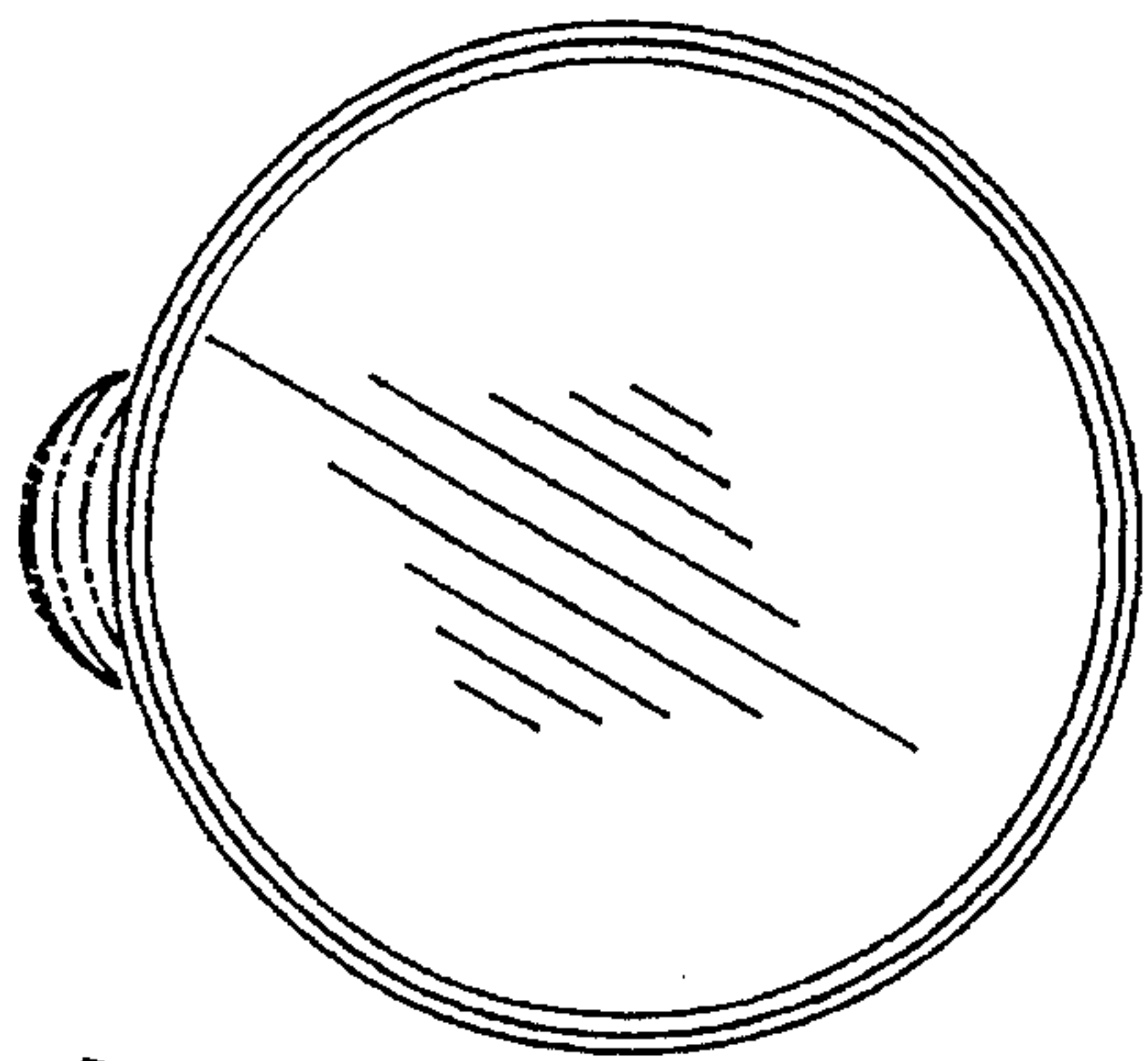


FIG. 5

FIG. 6

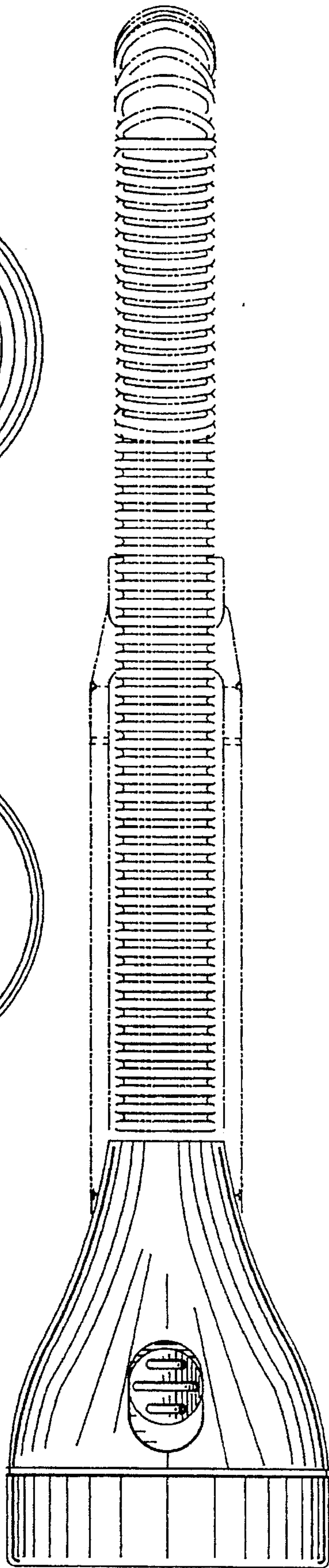


FIG. 6

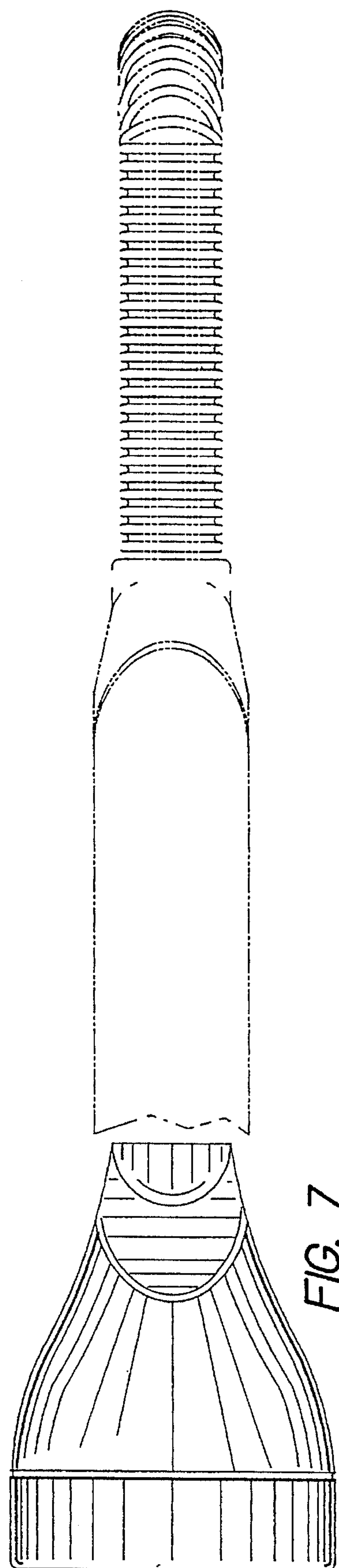


FIG. 7