



US00D372318S

**United States Patent** [19]  
**Szymanski**

[11] **Patent Number: Des. 372,318**  
[45] **Date of Patent: \*\*Jul. 30, 1996**

[54] **FLEXIBLE FLASHLIGHT**  
[75] Inventor: **Aaron Szymanski**, Bristol, Conn.  
[73] Assignee: **Black & Decker Inc.**, Newark, Del.  
[\*\*] Term: **14 Years**  
[21] Appl. No.: **35,072**  
[22] Filed: **Feb. 21, 1995**  
[52] U.S. Cl. .... **D26/43**  
[58] Field of Search ..... D26/37, 43, 44,  
D26/46, 49, 60, 62; 362/157, 158, 184,  
188, 189, 191, 198, 199, 200, 202, 362,  
396

4,319,309 3/1982 Benoit ..... 362/191 X

**FOREIGN PATENT DOCUMENTS**

685937 8/1986 Japan ..... D26/43

*Primary Examiner*—A. Hugo Word  
*Assistant Examiner*—Lavone D. Tabor  
*Attorney, Agent, or Firm*—Barry E. Deutsch

[57] **CLAIM**

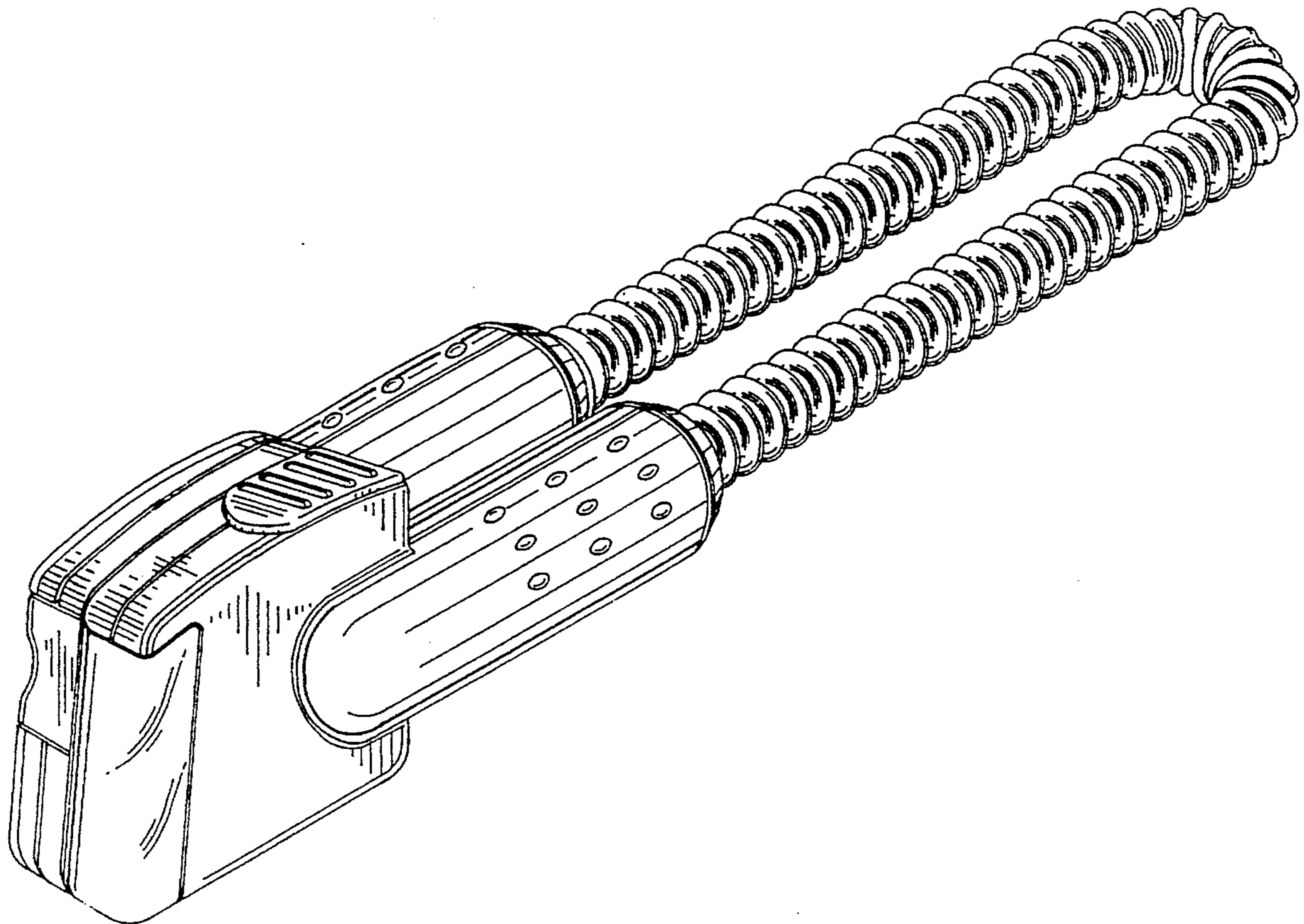
The ornamental design for a flexible flashlight, as shown and described.

**DESCRIPTION**

FIG. 1 is a perspective view taken from the front, top and right side of a flexible flashlight showing my new design; FIG. 2 is a left side elevational view thereof; FIG. 3 is a right side elevational view thereof; FIG. 4 is a front elevational view thereof; FIG. 5 is a rear elevational view thereof; FIG. 6 is a top plan view thereof; and, FIG. 7 is a bottom plan view thereof.

[56] **References Cited**  
**U.S. PATENT DOCUMENTS**  
D. 147,258 8/1947 Becker ..... D26/43  
D. 166,073 3/1952 Dunkelberger ..... D26/43  
D. 314,246 1/1991 Bache ..... D26/62  
D. 328,146 7/1992 Sinsteden ..... D26/49  
3,111,277 11/1963 Grimsley ..... D26/63 X

**1 Claim, 3 Drawing Sheets**



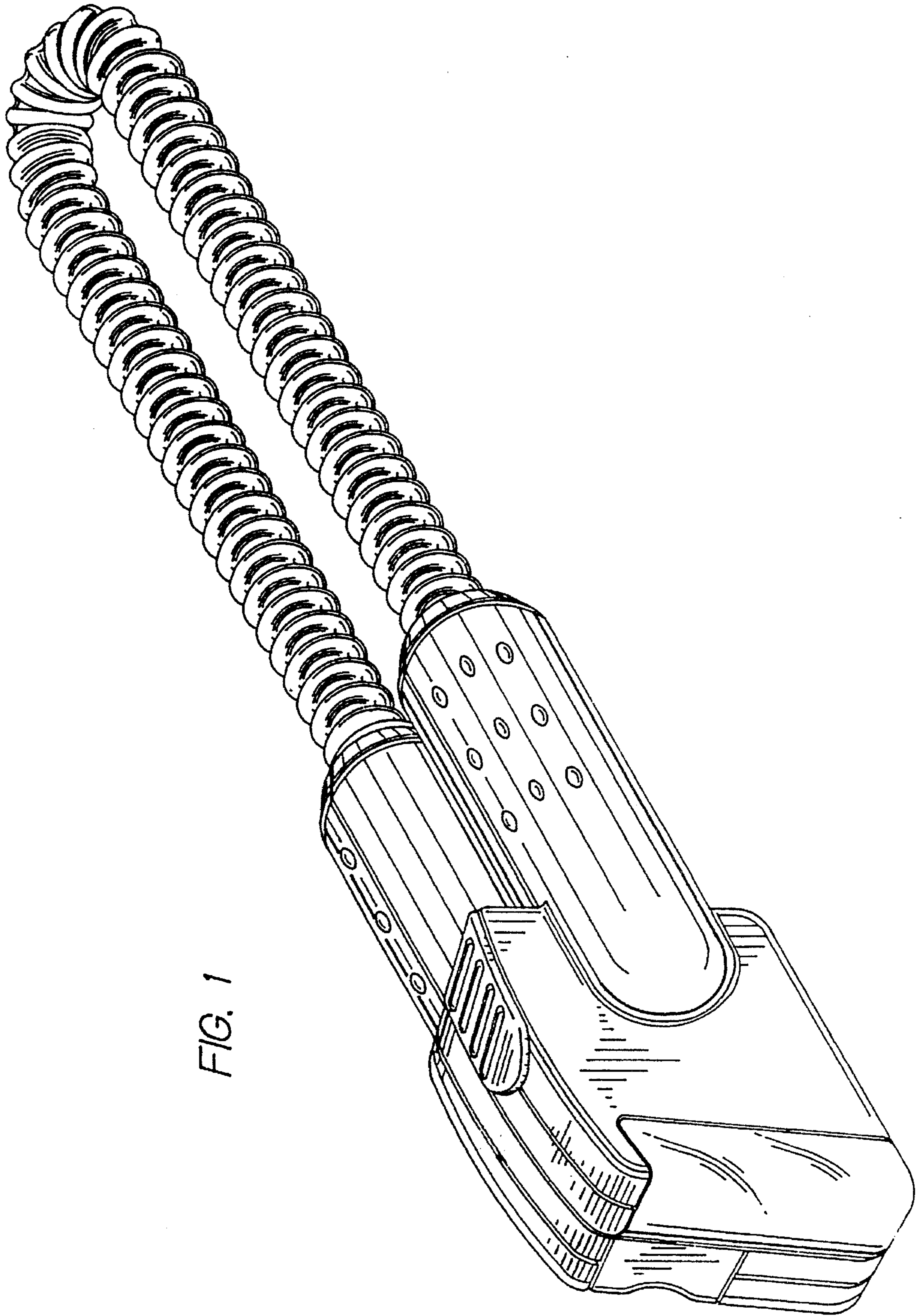


FIG. 1



FIG. 2

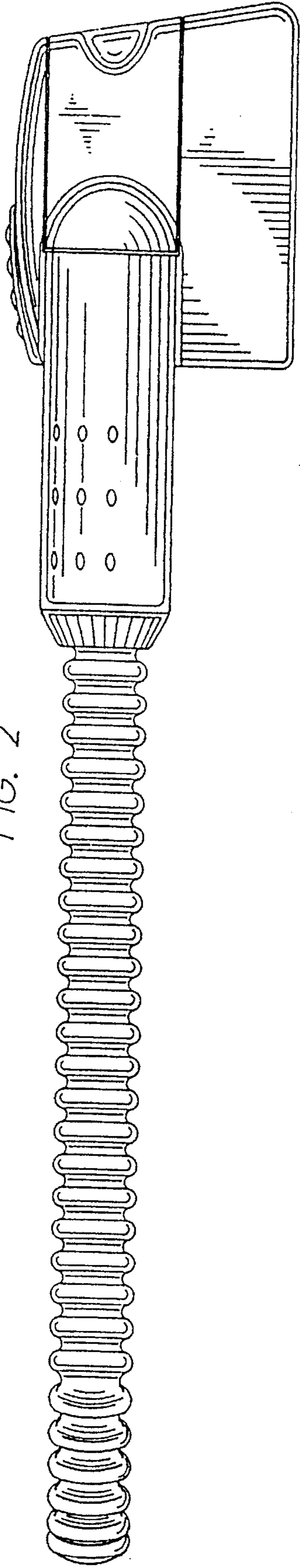


FIG. 5

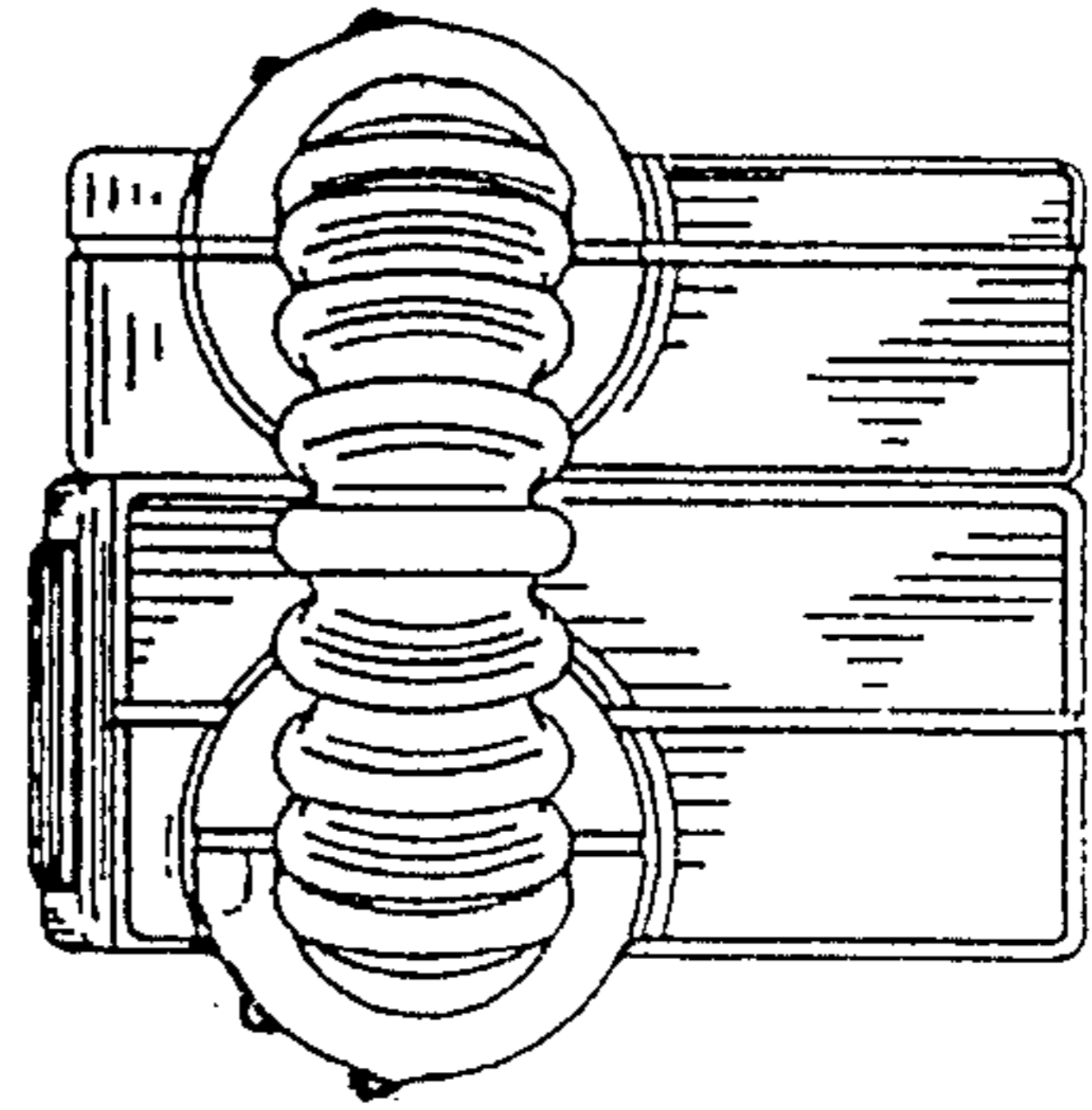


FIG. 4

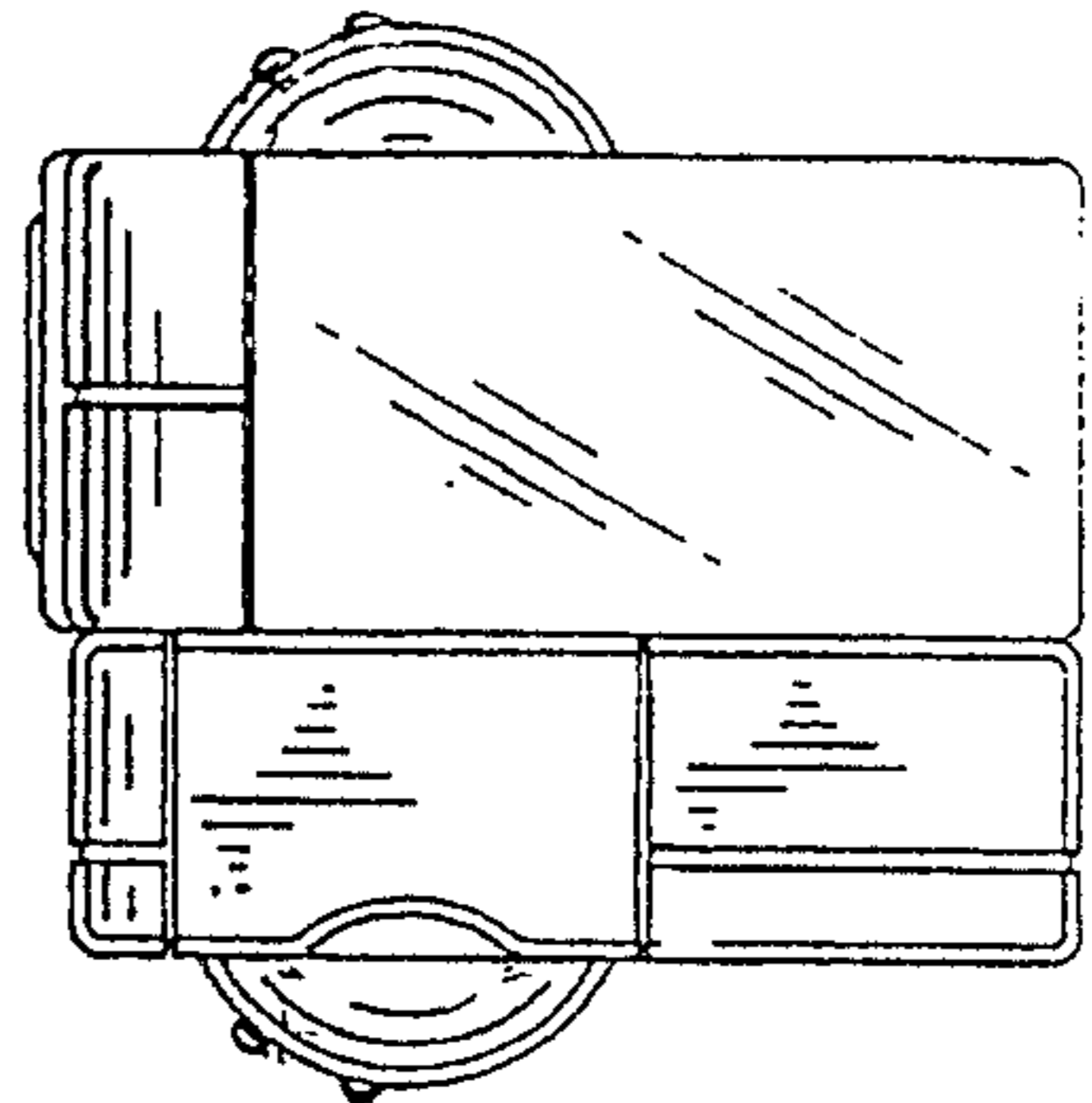
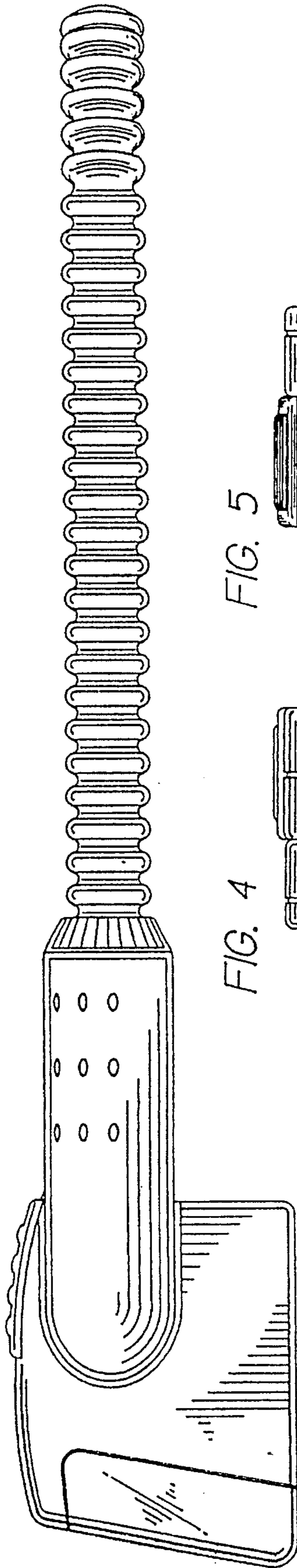


FIG. 3



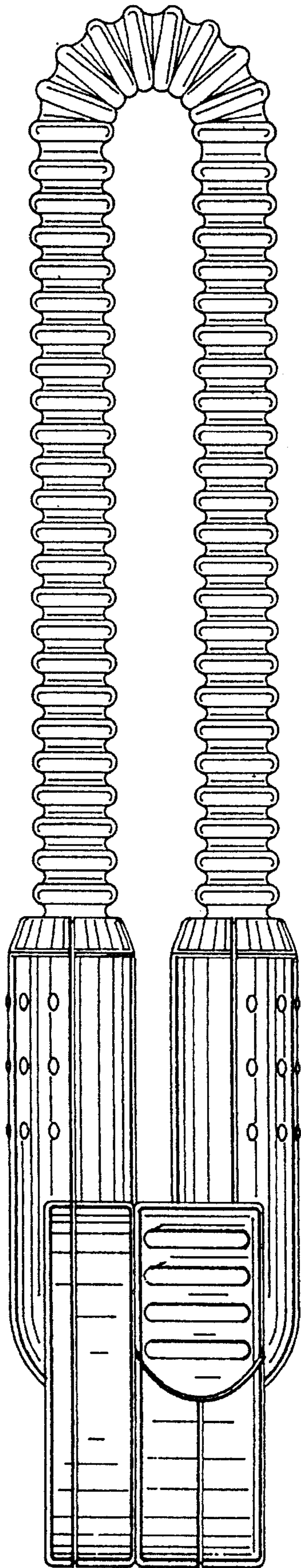


FIG. 6

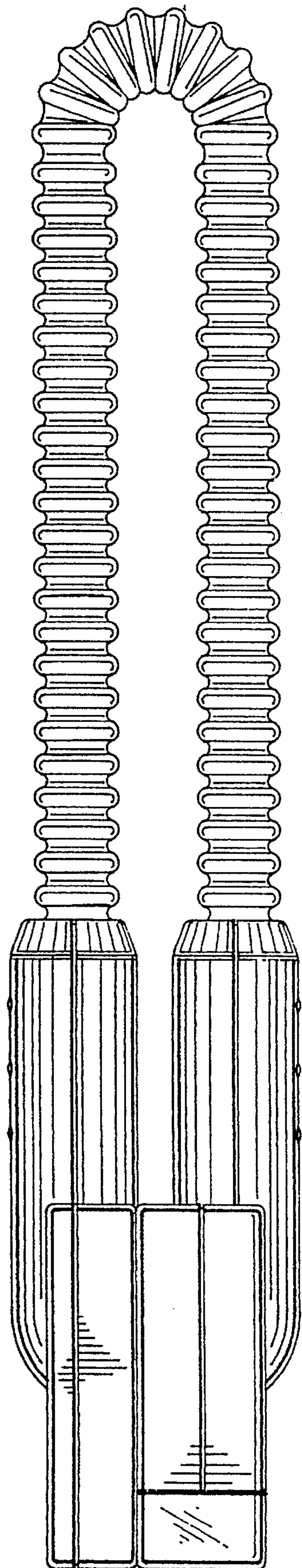


FIG. 7