



US00D372312S

United States Patent [19]

Lange

[11] Patent Number: **Des. 372,312**

[45] Date of Patent: ****Jul. 30, 1996**

[54] **COMBINED HEARING AID AND EARRING**

[75] Inventor: **Cristine Lange**, Hanover, Germany

[73] Assignee: **Gebr. Niessing GmbH & Co.**, Vreden, Germany

[**] Term: **14 Years**

[21] Appl. No.: **33,660**

[22] Filed: **Jan. 17, 1995**

[30] **Foreign Application Priority Data**

Jul. 15, 1994 [DE] Germany M 94 05 678.1

[52] **U.S. Cl.** **D24/174; D11/41**

[58] **Field of Search** **D11/1-3, 40-42, D11/75; D24/174; 63/1.1, 2, 13, 15.65, 15.7; 381/68.6-69.2**

[56] **References Cited**

U.S. PATENT DOCUMENTS

| | | | | |
|------------|---------|----------|-------|---------|
| 245,297 | 8/1881 | Heckmann | | D11/40 |
| D. 273,706 | 5/1984 | McCall | | D24/174 |
| D. 294,335 | 2/1988 | Gatsos | | D11/75 |
| D. 321,331 | 11/1991 | Royer | | D11/42 |

| | | | | |
|------------|---------|---------------|-------|---------|
| D. 325,542 | 4/1992 | Rubin et al. | | D11/40 |
| 3,045,073 | 7/1962 | Vickerson | | D24/174 |
| 4,625,526 | 12/1986 | Milawski | | D11/42 |
| 4,694,664 | 9/1987 | Elsener | | D11/42 |
| 5,184,481 | 2/1993 | Joseph et al. | | D11/40 |

Primary Examiner—Ralf Seifert
Attorney, Agent, or Firm—Anderson Kill Olick & Oshinsky, P.C.

[57] **CLAIM**

The ornamental design of a combined hearing aid and earring, as shown and described.

DESCRIPTION

FIG. 1 is a front perspective view of a combined hearing aid and earring showing my new design, the broken line showing of an ear is for illustrative purposes only and forms no part of the claimed design;
FIG. 2 is an exploded rear view;
FIG. 3 is a left side perspective view of FIG. 1;
FIG. 4 is a top perspective view of FIG. 1;
FIG. 5 is a rear perspective view of FIG. 1; and,
FIG. 6 is a top plan view of FIG. 1.

1 Claim, 3 Drawing Sheets

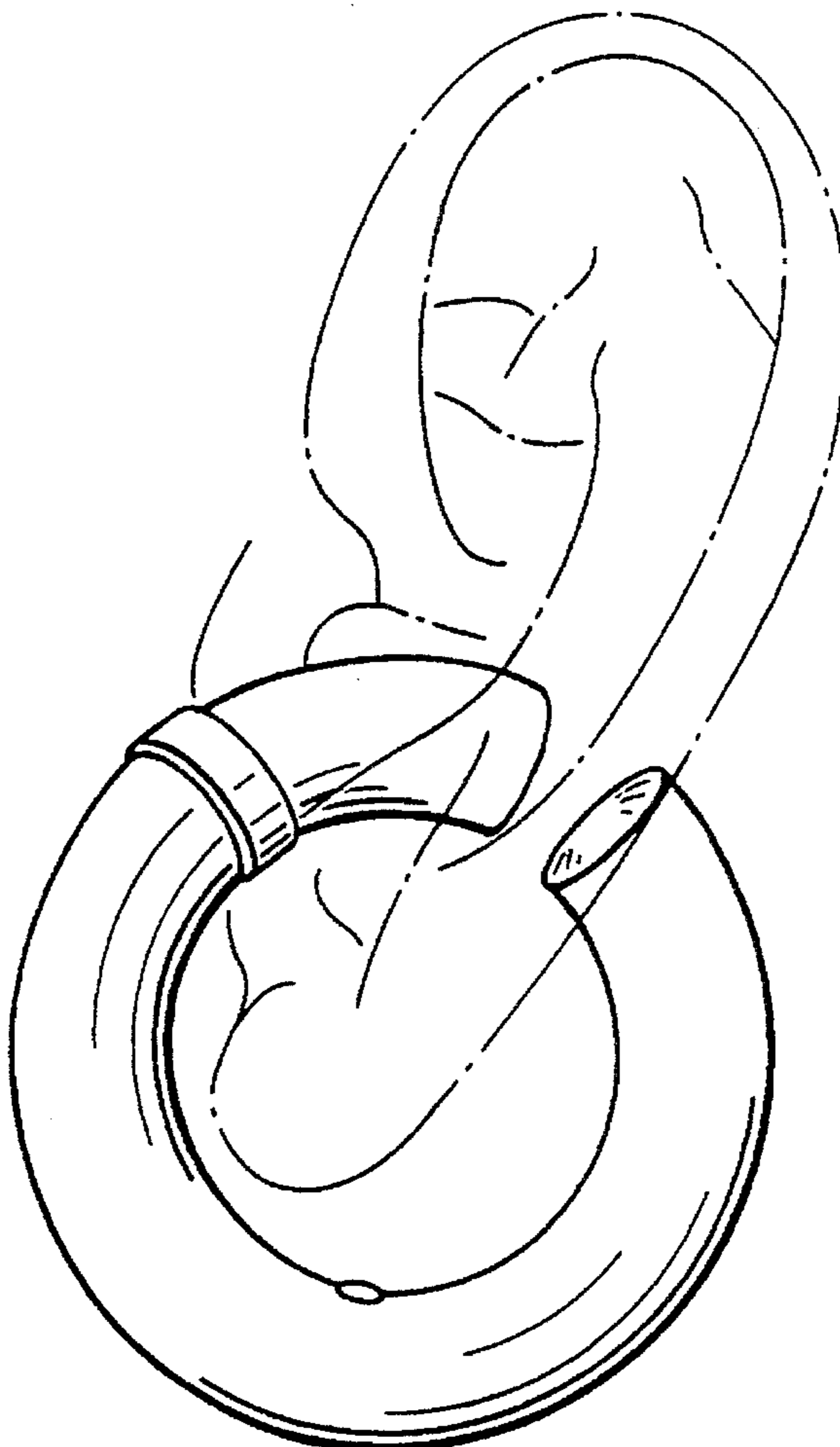


Fig. 1

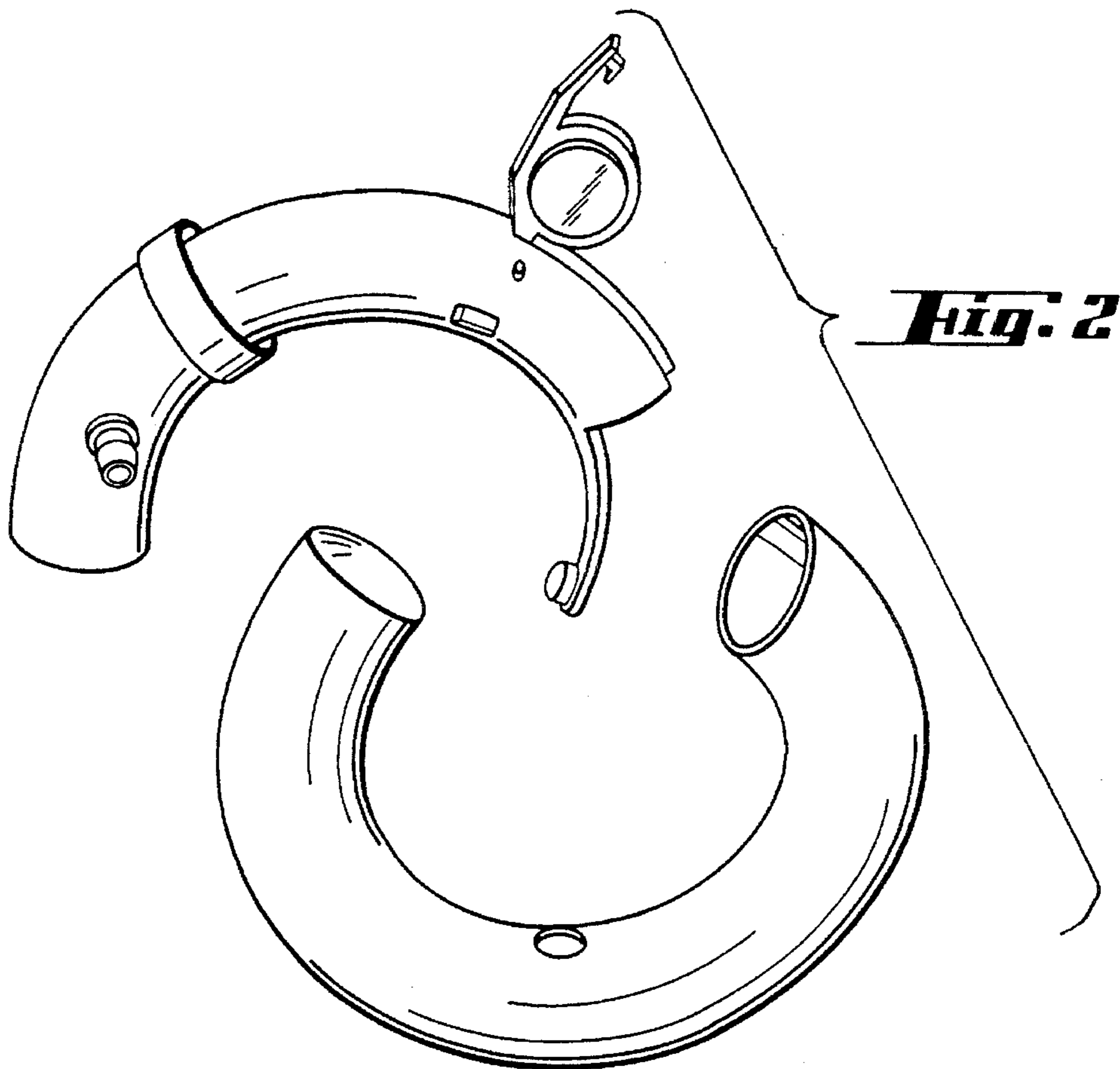
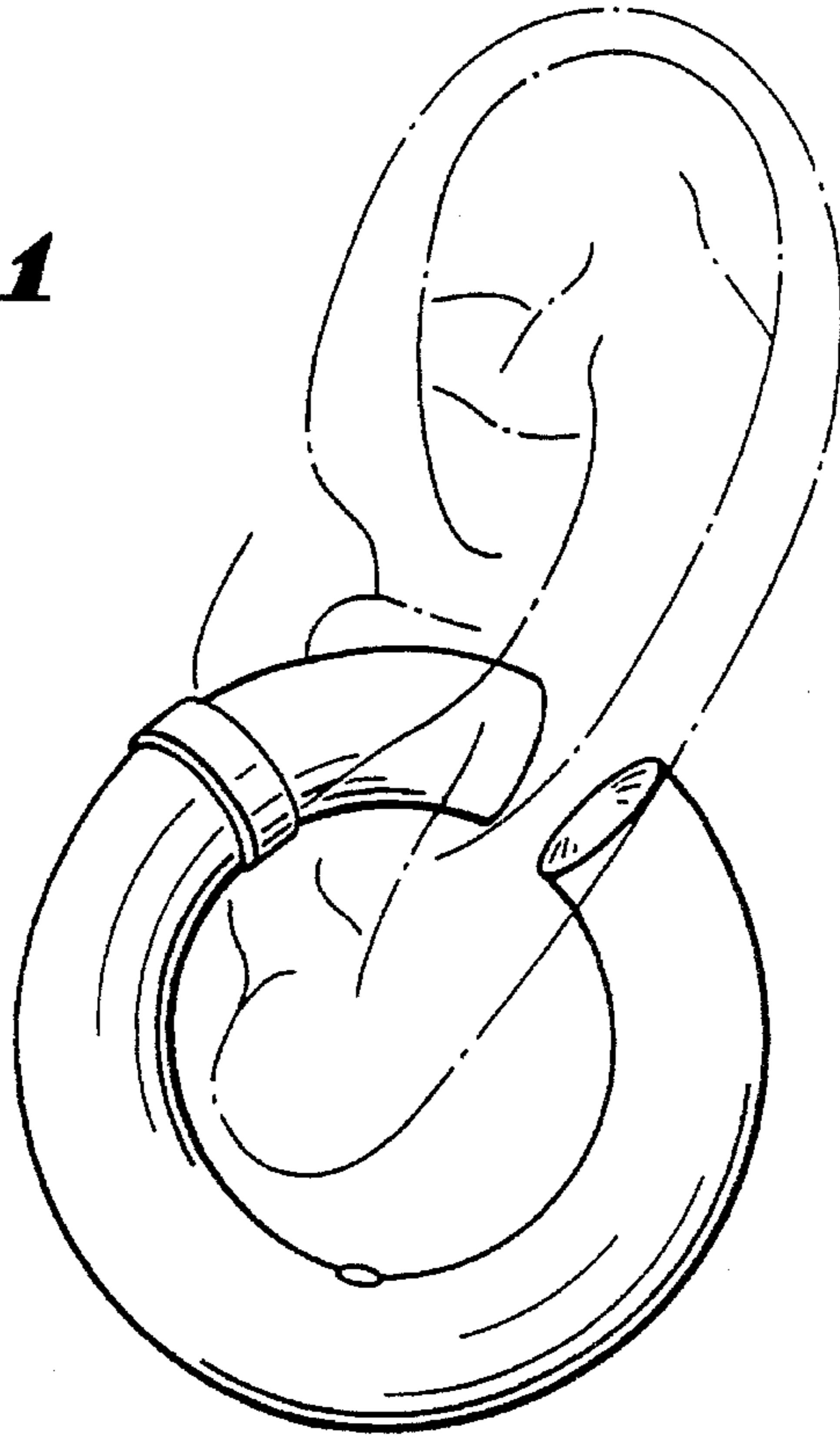


Fig. 2

Fig. 3

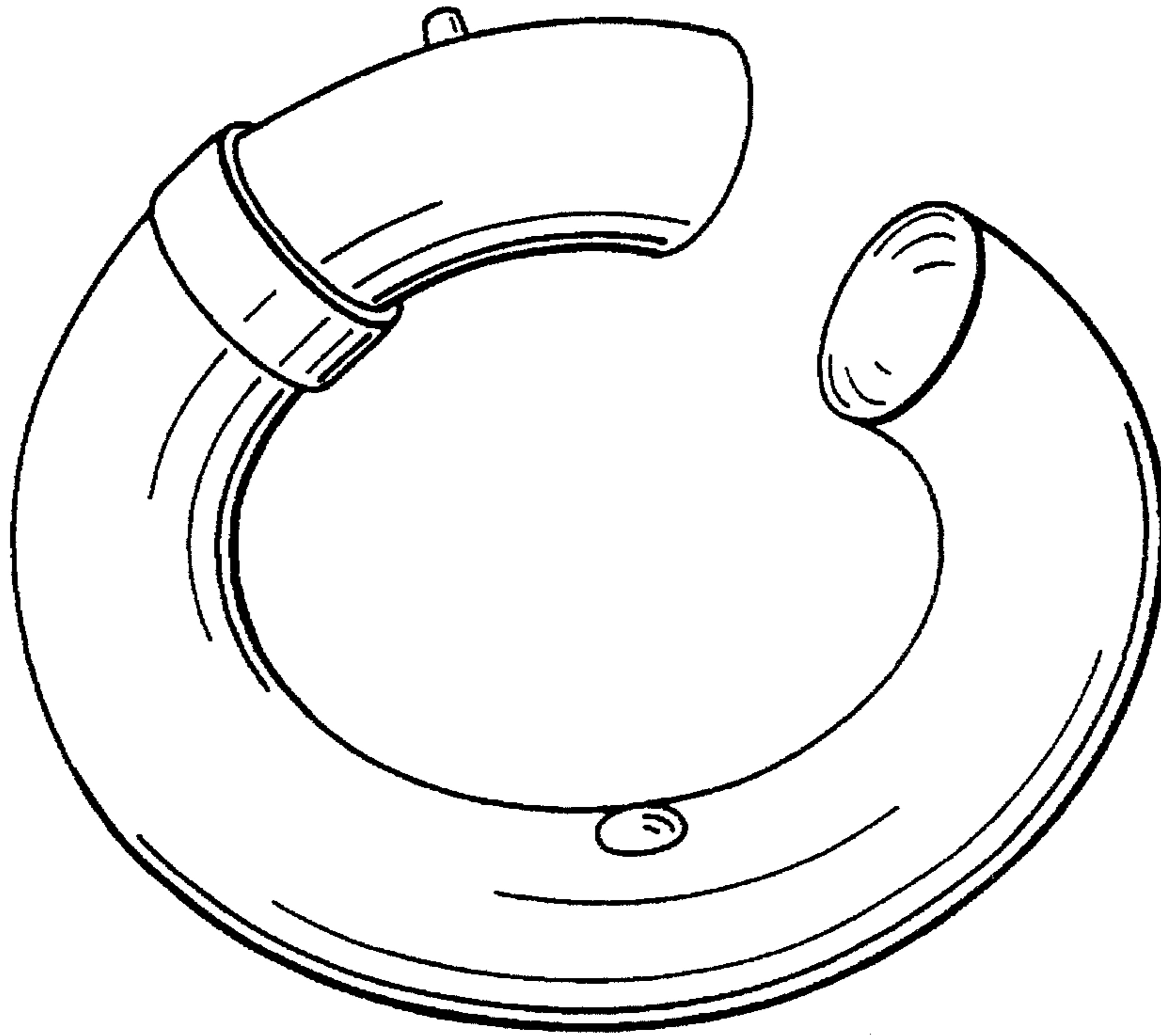
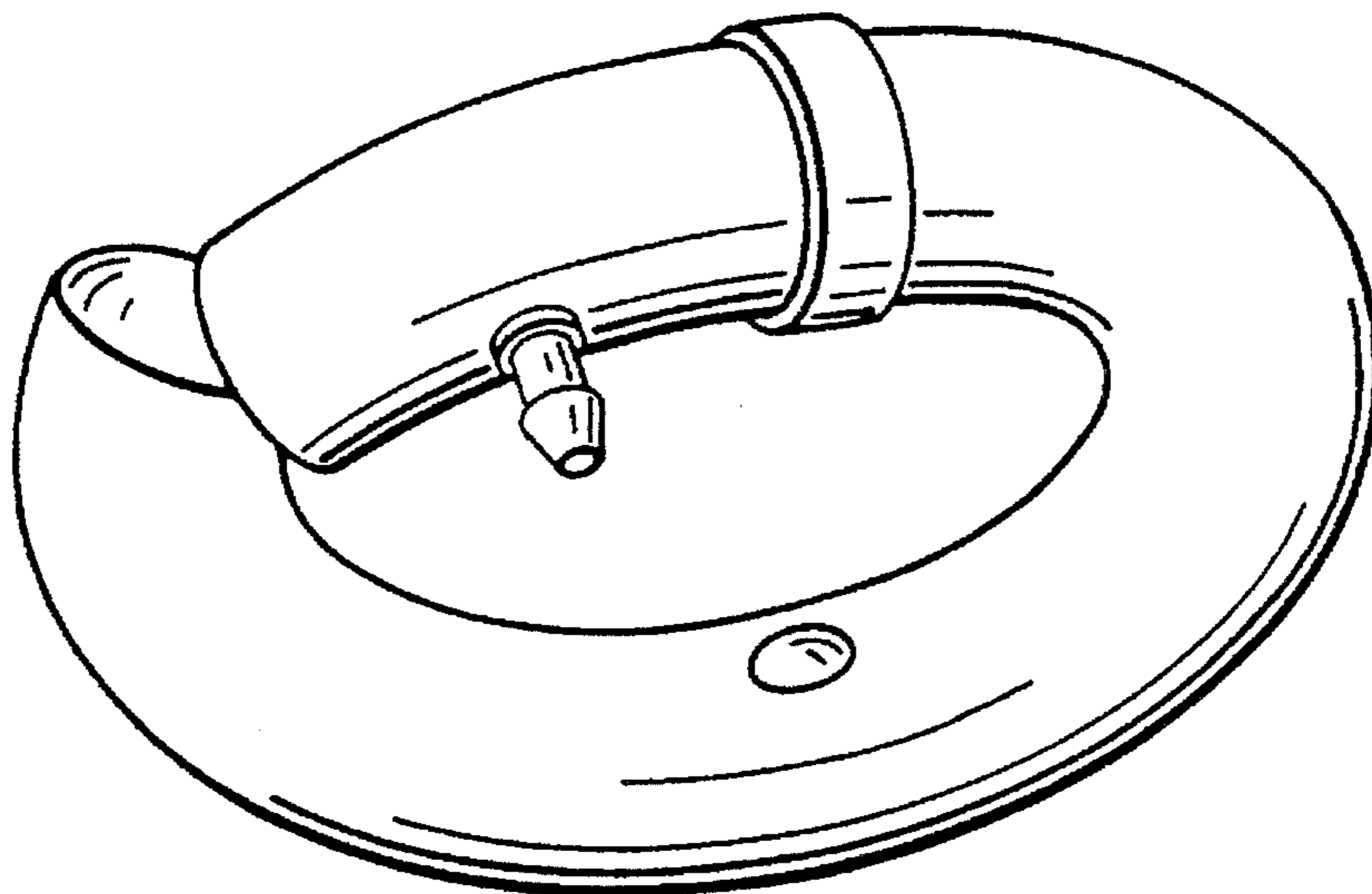


Fig. 4



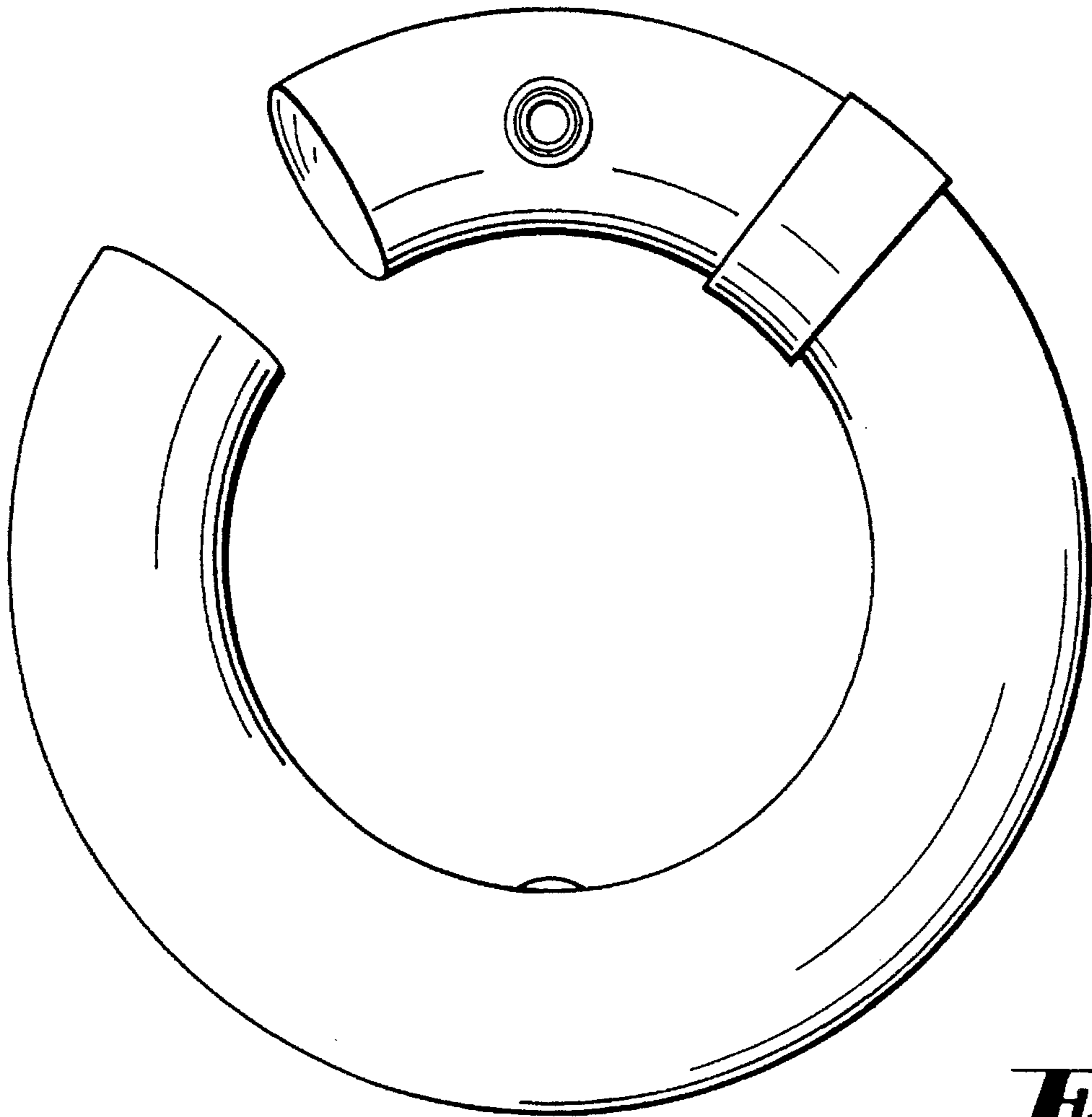


Fig. 5

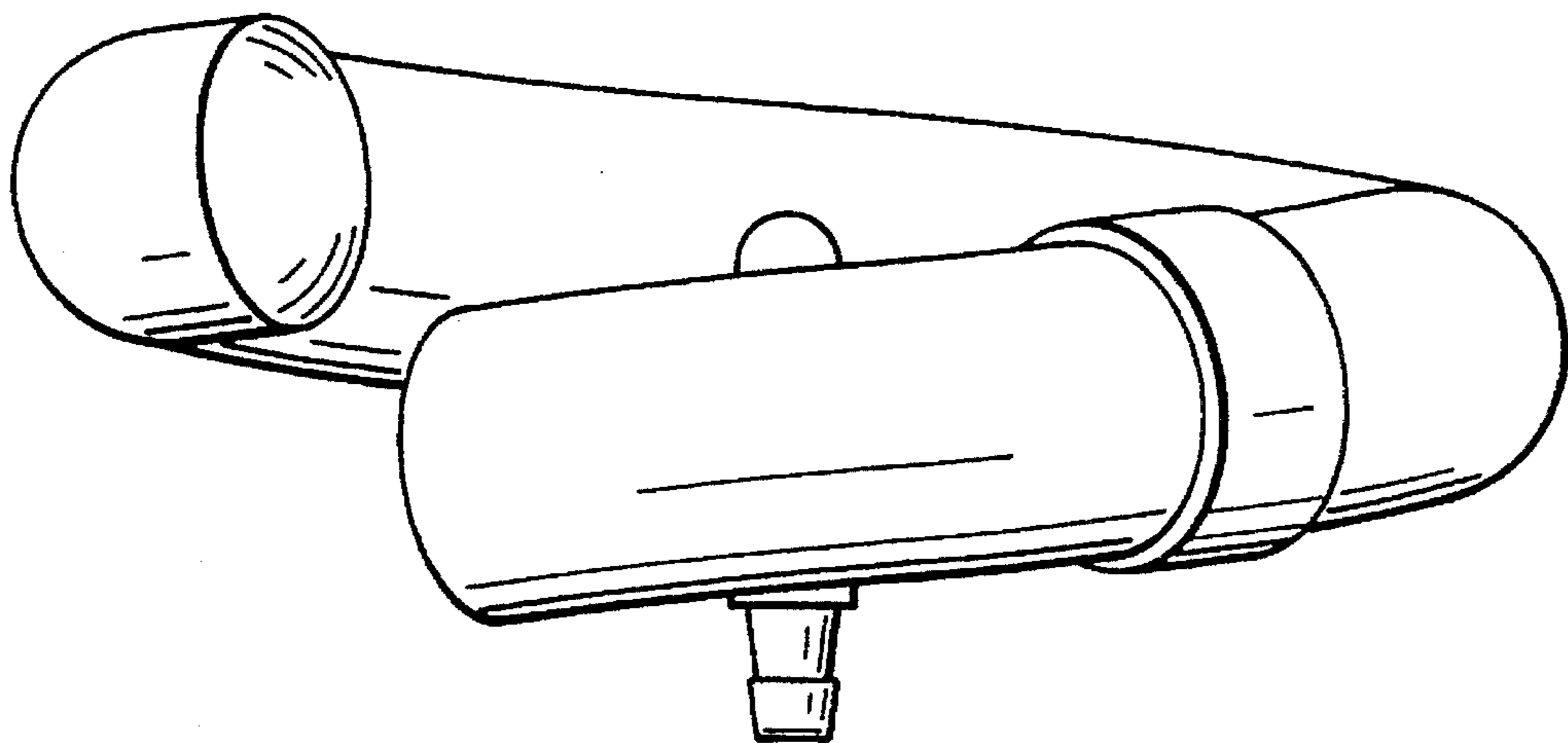


Fig. 6

UNITED STATES PATENT AND TRADEMARK OFFICE
CERTIFICATE OF CORRECTION

PATENT NO. : Design 372,312

DATED : July 30, 1996

INVENTOR(S) : CHRISTINE LANGE

It is certified that error appears in the above-identified patent and that said Letters Patent is hereby corrected as shown below:

On the title page, item [75], change "Cristine" to --Christine--.

Signed and Sealed this
First Day of October, 1996



BRUCE LEHMAN

Commissioner of Patents and Trademarks

Attest:

Attesting Officer