



US00D372309S

United States Patent [19]

Heldreth

[11] Patent Number: **Des. 372,309**

[45] Date of Patent: ****Jul. 30, 1996**

[54] ORTHOPAEDIC BROACH IMPACTOR

[75] Inventor: **Mark A. Heldreth**, Mentone, Ind.

[73] Assignee: **Zimmer, Inc.**, Warsaw, Ind.

[**] Term: **14 Years**

[21] Appl. No.: **41,122**

[22] Filed: **Jul. 6, 1995**

[52] U.S. Cl. **D24/133; D24/140**

[58] Field of Search **D24/133, 147; 606/99, 86, 96, 100, 108, 104, 72, 90**

[56] References Cited

U.S. PATENT DOCUMENTS

| | | | | |
|------------|---------|-----------------|-------|-----------|
| D. 337,639 | 7/1993 | Beckman | | D24/133 |
| 4,459,985 | 7/1984 | McKay et al. | | 606/100 |
| 4,524,766 | 6/1985 | Petersen | | 128/92 H |
| 4,791,919 | 12/1988 | Elloy et al. | | 128/92 VW |
| 4,822,362 | 4/1989 | Walker et al. | | 623/20 |
| 5,002,547 | 3/1991 | Poggie et al. | | 606/88 |
| 5,062,852 | 11/1991 | Dorr et al. | | 623/20 |
| 5,116,338 | 5/1992 | Poggie et al. | | 606/90 |
| 5,250,050 | 10/1993 | Poggie et al. | | 606/79 |
| 5,275,603 | 1/1994 | Ferrante et al. | | 606/86 |
| 5,282,866 | 2/1994 | Cohen et al. | | 623/20 |
| 5,342,367 | 8/1994 | Ferrante et al. | | 606/86 |
| 5,356,414 | 10/1994 | Cohen et al. | | 606/88 |
| 5,425,490 | 6/1995 | Goble et al. | | 606/86 X |
| 5,476,486 | 12/1995 | Barretta et al. | | 606/99 X |

FOREIGN PATENT DOCUMENTS

| | | | | |
|------------|--------|------|-------|------------|
| WO94/05211 | 3/1994 | WIPO | | A61B 17/00 |
|------------|--------|------|-------|------------|

OTHER PUBLICATIONS

Howmedia—Duraconcept—Design Concepts of the Duracon Total Knee System—c1993.

Zimmer—Porous MG II Total Knee—Cross—Stemmed Tibial Tray—Lit. no. 97-8510-05—c1992.

Primary Examiner—Louis S. Zarfes

Assistant Examiner—I. Simmons

Attorney, Agent, or Firm—Margaret L. Geringer

[57] CLAIM

The ornamental design for an orthopaedic broach impactor, as shown and described.

DESCRIPTION

FIG. 1 is a front perspective view of an orthopaedic broach impactor with the handle shown in a down position. The broken line showing of the broach is for illustrative purposes only and forms no part of the claimed design;

FIG. 2 is a rear perspective view thereof, with a fragment of one of the arms broken away for ease of illustration;

FIG. 3 is a side elevational view thereof with the handle shown in an up position;

FIG. 4 is a rear elevational view thereof;

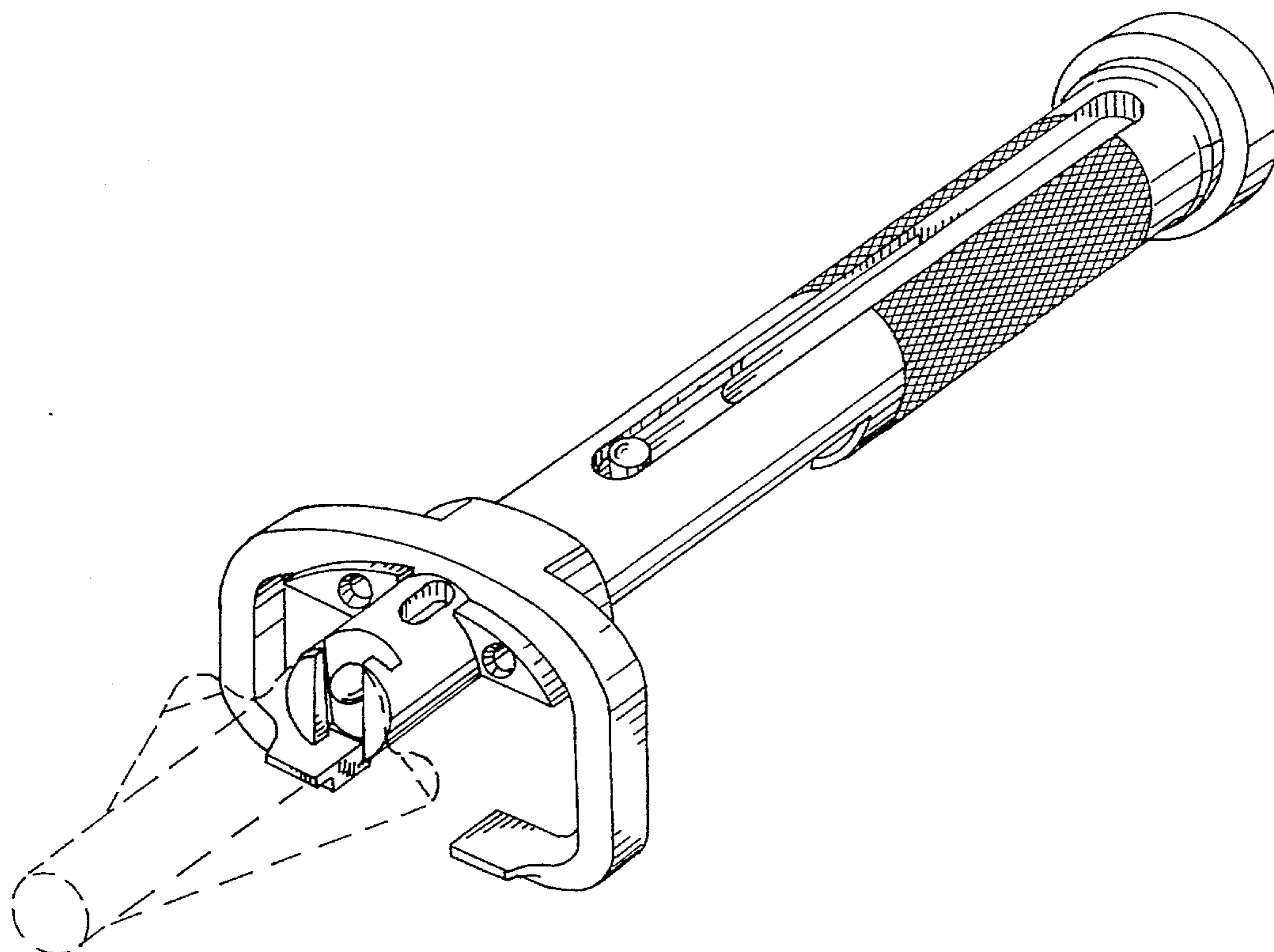
FIG. 5 is a front elevational view thereof;

FIG. 6 is a side elevational view thereof of the side opposite the side shown in FIG. 3;

FIG. 7 is a top plan view thereof; and,

FIG. 8 is a bottom plan view thereof.

1 Claim, 5 Drawing Sheets



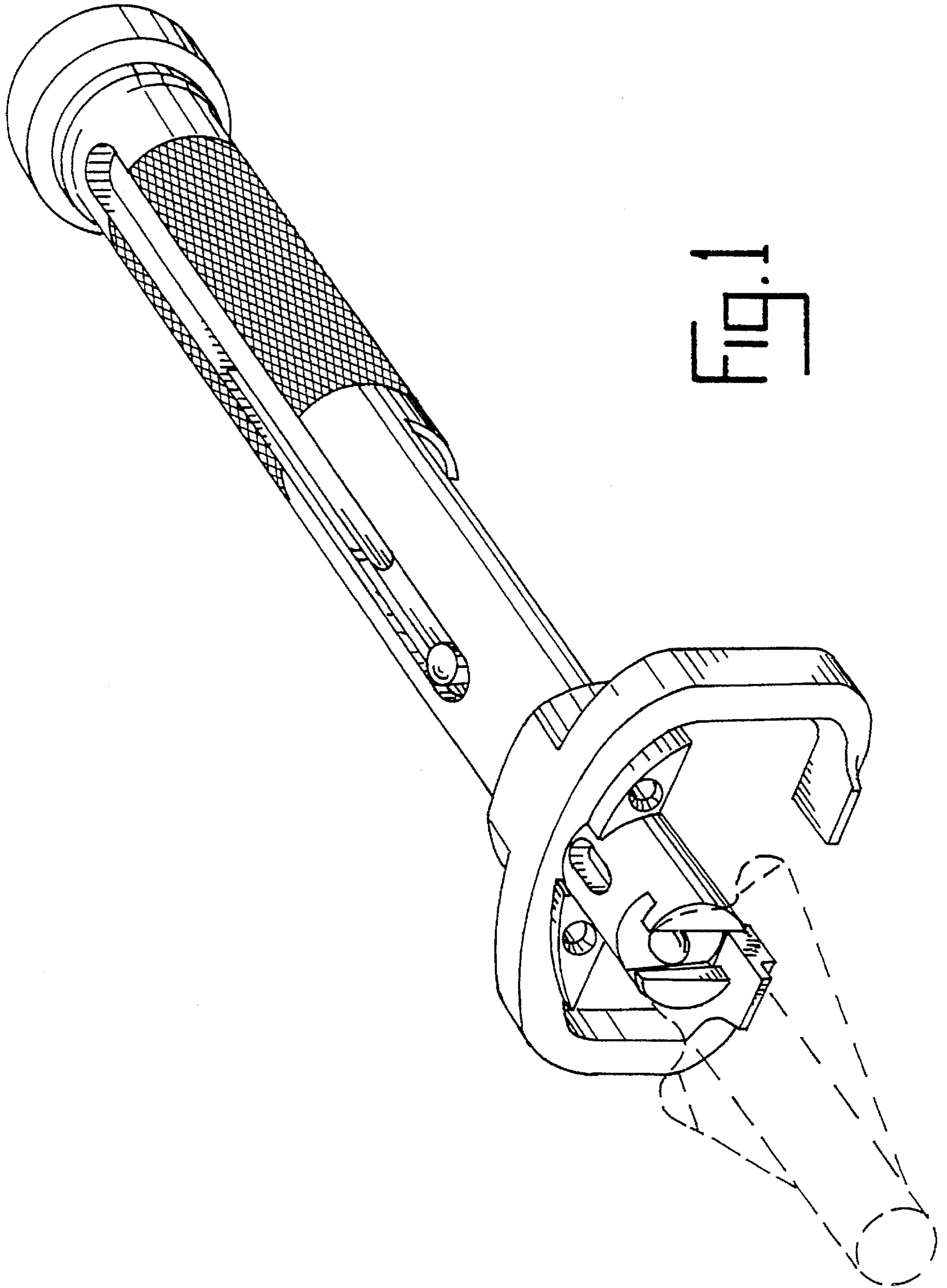


FIG. 1

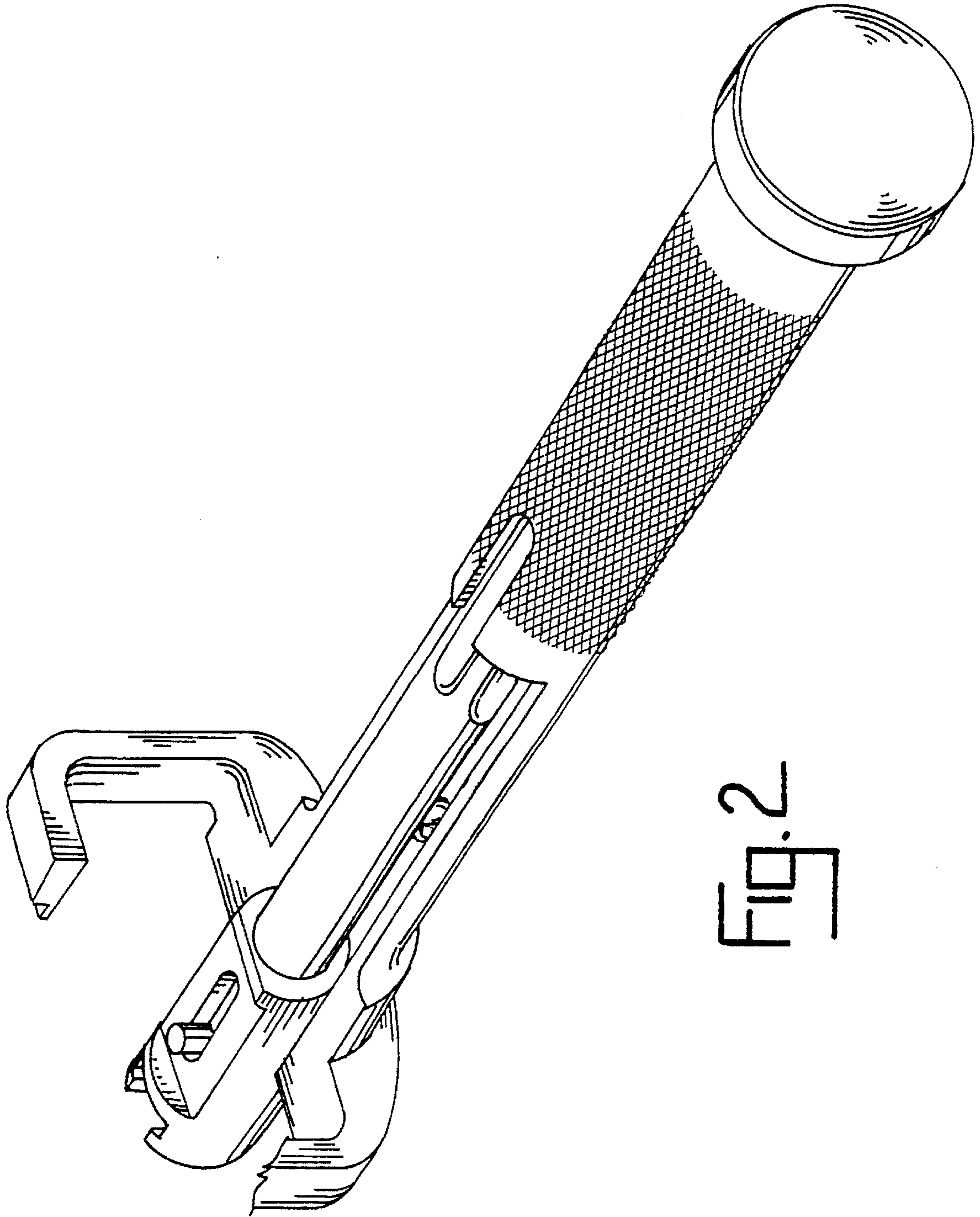


FIG. 2

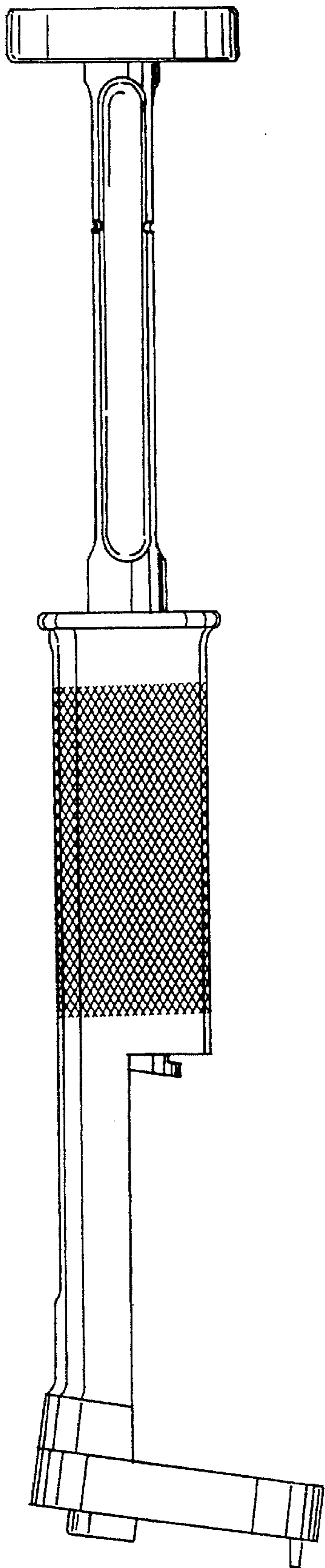


Fig. 3

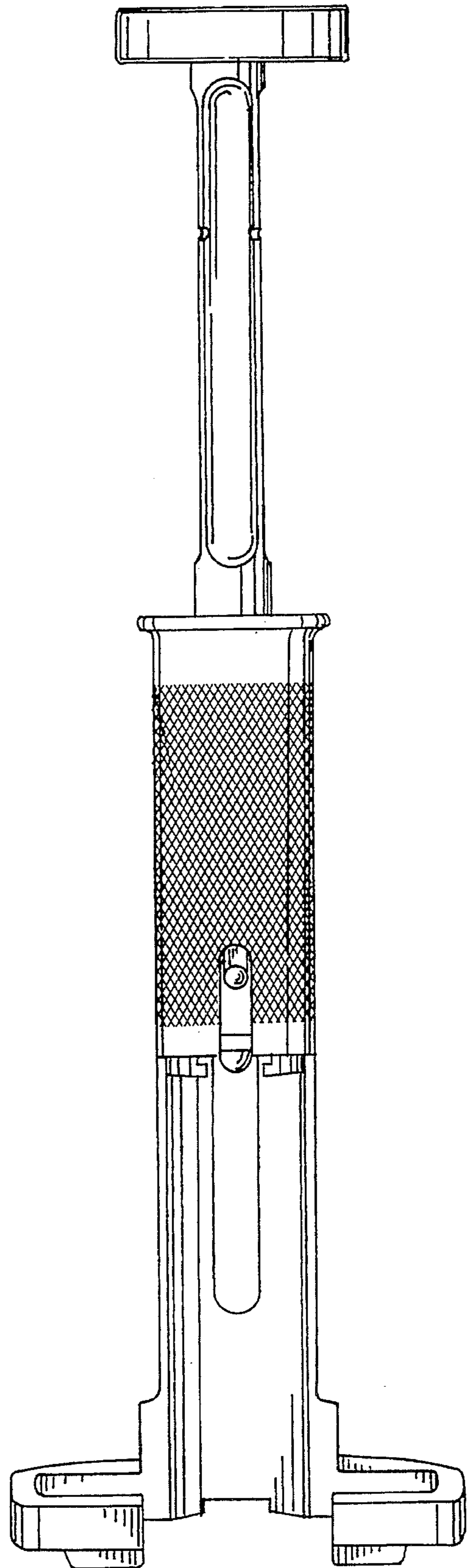


Fig. 4

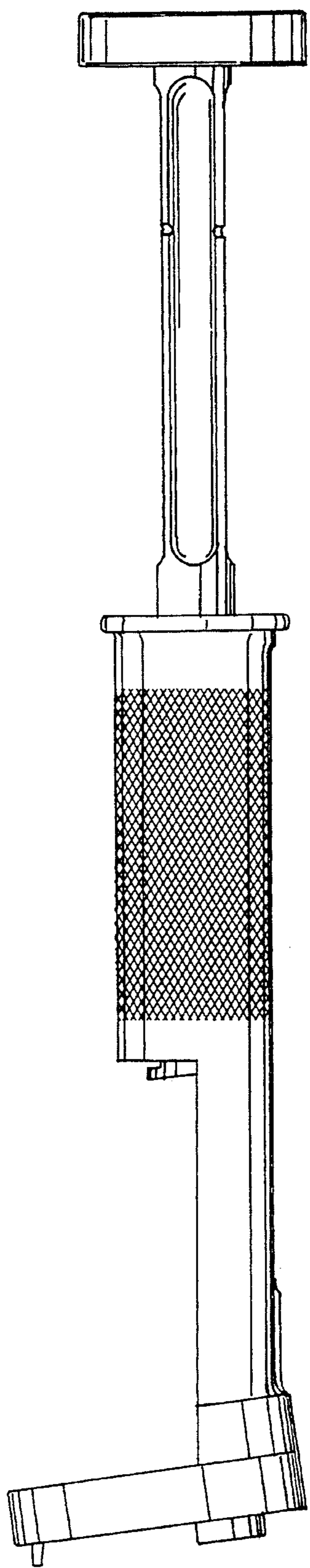


Fig. 6

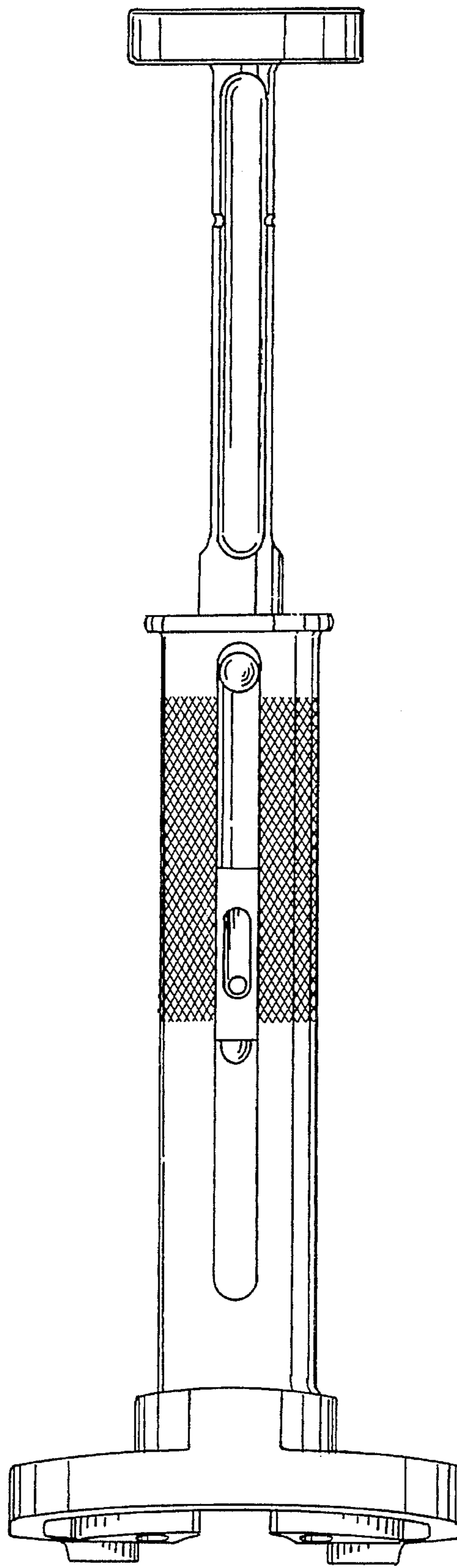


Fig. 5

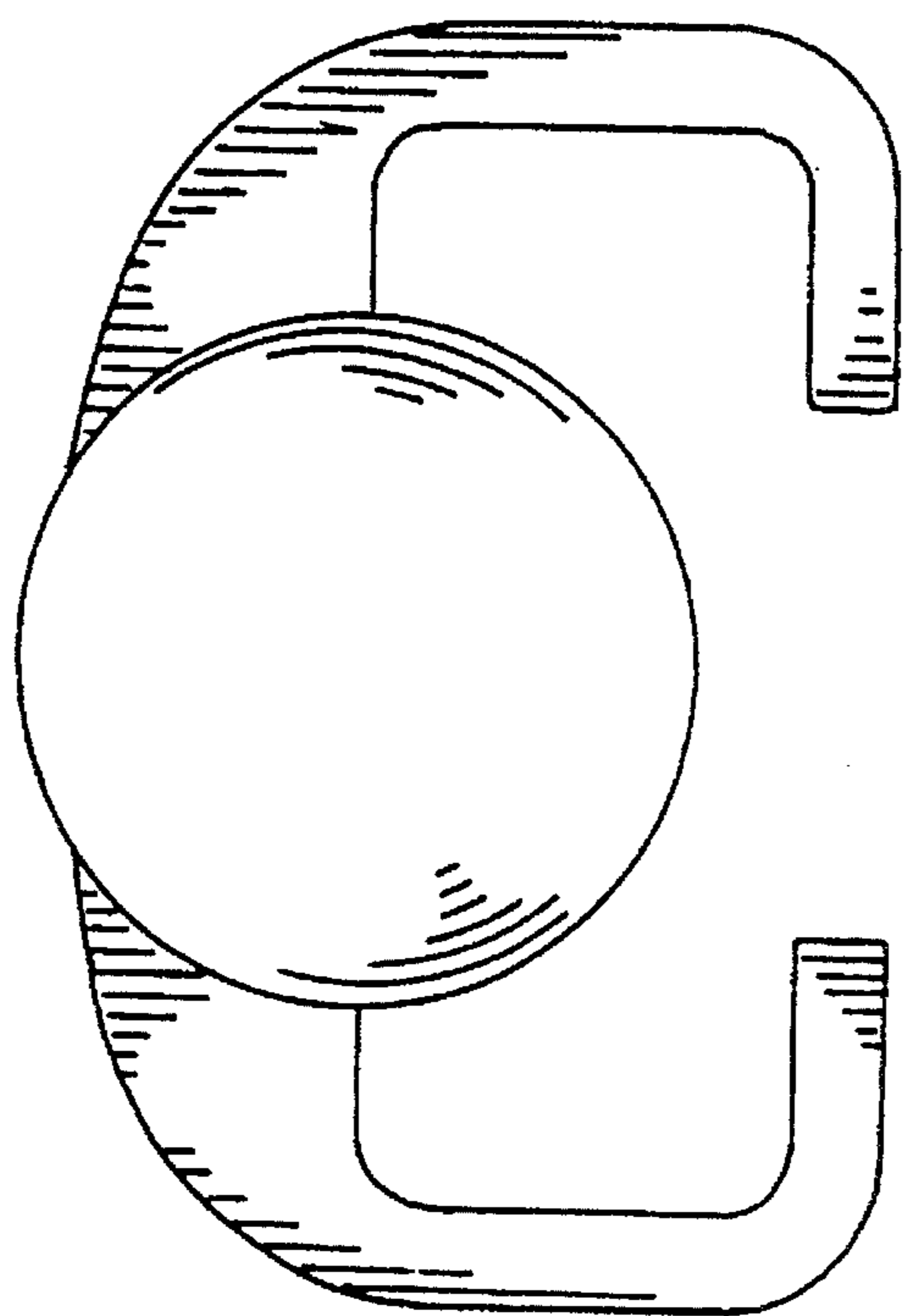


FIG. 7

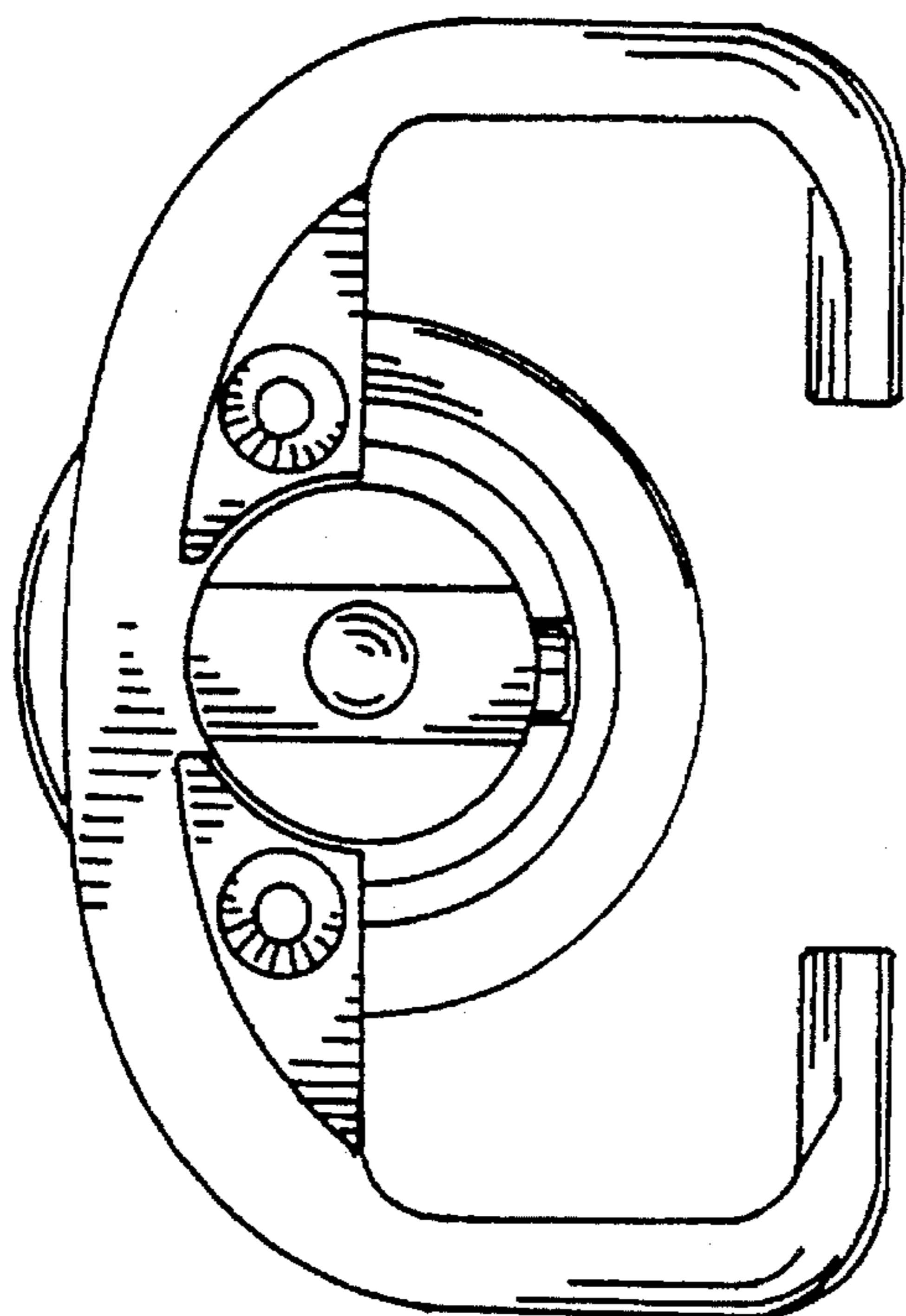


FIG. 8