



US00D372303S

United States Patent [19]
Lobermeier

[11] **Patent Number: Des. 372,303**
[45] **Date of Patent: **Jul. 30, 1996**

[54] **FAUCET ASSEMBLY**

[75] Inventor: **Hans Lobermeier**, Menden, Germany

[73] Assignee: **Friedrich Grohe Aktiengesellschaft**,
Hemer, Germany

[**] Term: **14 Years**

[21] Appl. No.: **36,686**

[22] Filed: **Mar. 24, 1995**

[30] **Foreign Application Priority Data**

Oct. 31, 1994 [DE] Germany M9408476.9

[52] **U.S. Cl.** **D23/304**

[58] **Field of Search** D23/233-269,
D23/303-304; D8/352, 353, 397, 398; 4/675-678

[56] **References Cited**

U.S. PATENT DOCUMENTS

- D. 223,799 6/1972 Holm et al. D23/250
- D. 297,508 9/1988 Yandek et al. D8/353
- D. 304,442 11/1989 Fenne D8/353

- D. 308,464 6/1990 Freeman et al. D8/353
- D. 311,678 10/1990 Graef et al. D8/353
- D. 325,424 4/1992 Dannenberg D23/238
- D. 331,009 11/1992 Gottwald D23/254
- D. 336,947 6/1993 Gottwald D23/250
- D. 353,877 12/1994 Rogers D23/255

Primary Examiner—Louis S. Zarfes
Assistant Examiner—Gregory Andoll
Attorney, Agent, or Firm—Herbert Dubno

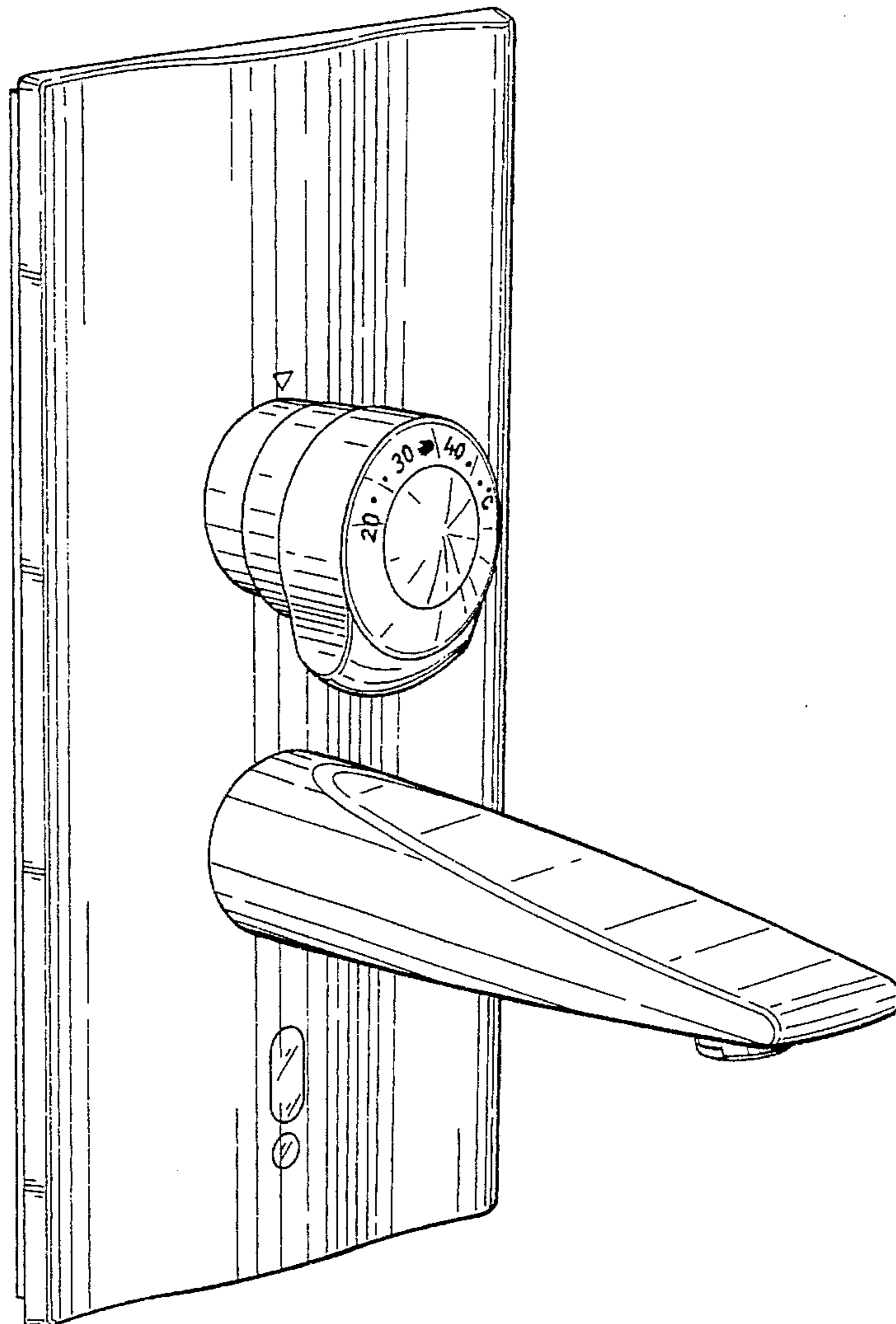
[57] **CLAIM**

The ornamental design for a faucet assembly, as shown.

DESCRIPTION

FIG. 1 is a top, front, left-side perspective view of a faucet assembly showing my new design;
FIG. 2 is a front view thereof;
FIG. 3 is a rear view thereof;
FIG. 4 is a left side elevational view thereof, the right side being mirror symmetrical thereto;
FIG. 5 is a top view thereof; and,
FIG. 6 is a bottom view thereof.

1 Claim, 6 Drawing Sheets



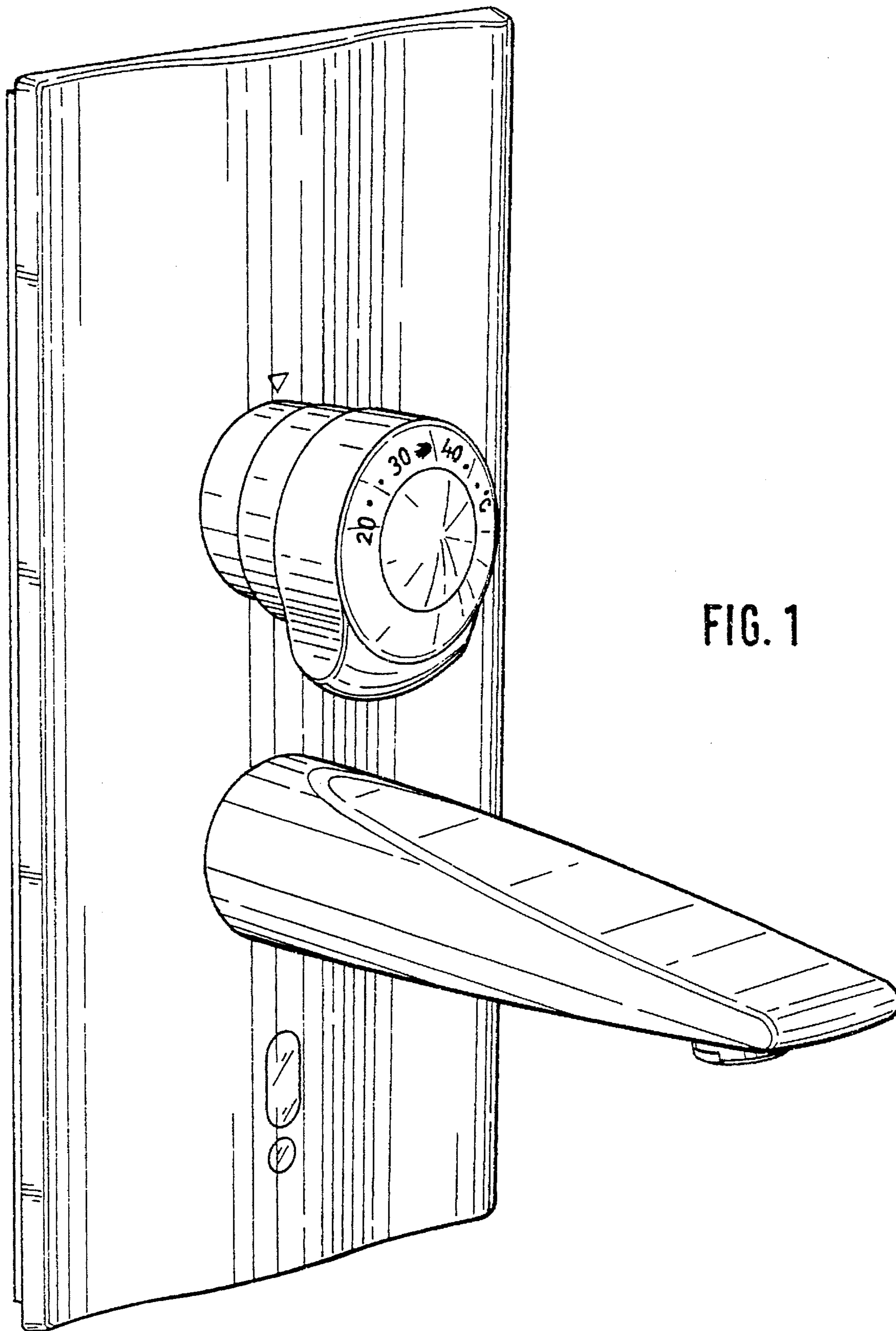


FIG. 1

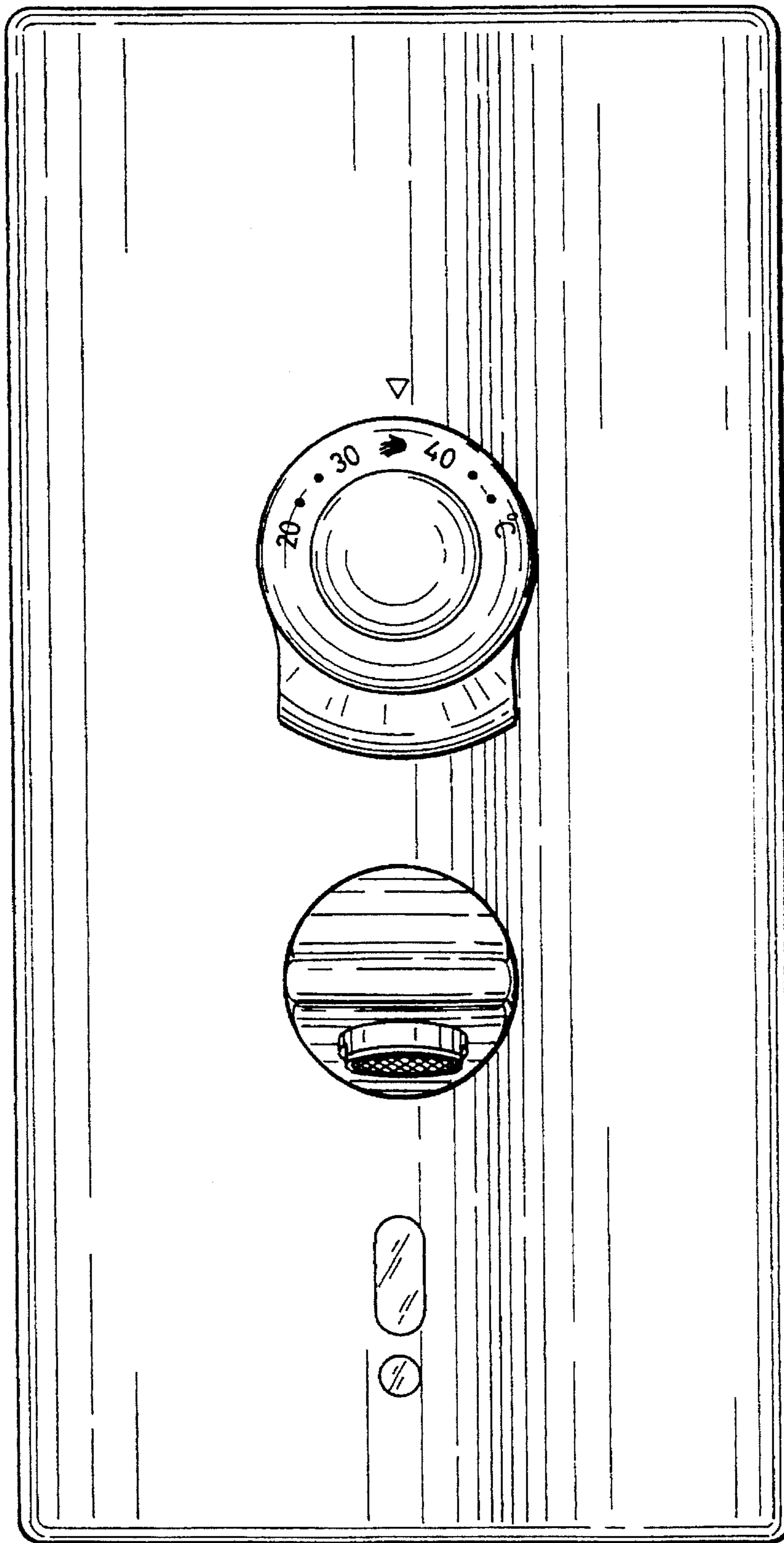


FIG. 2

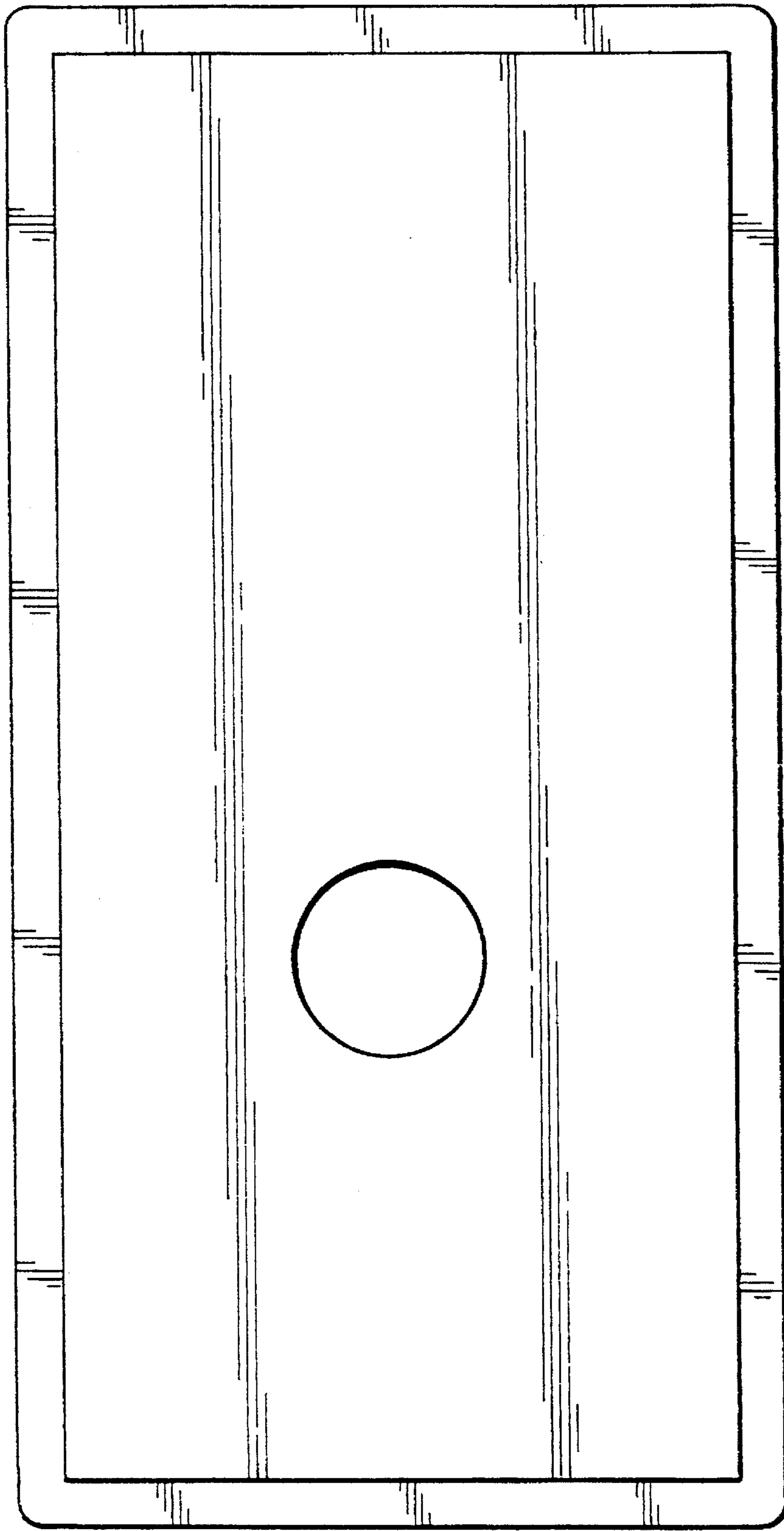


FIG. 3

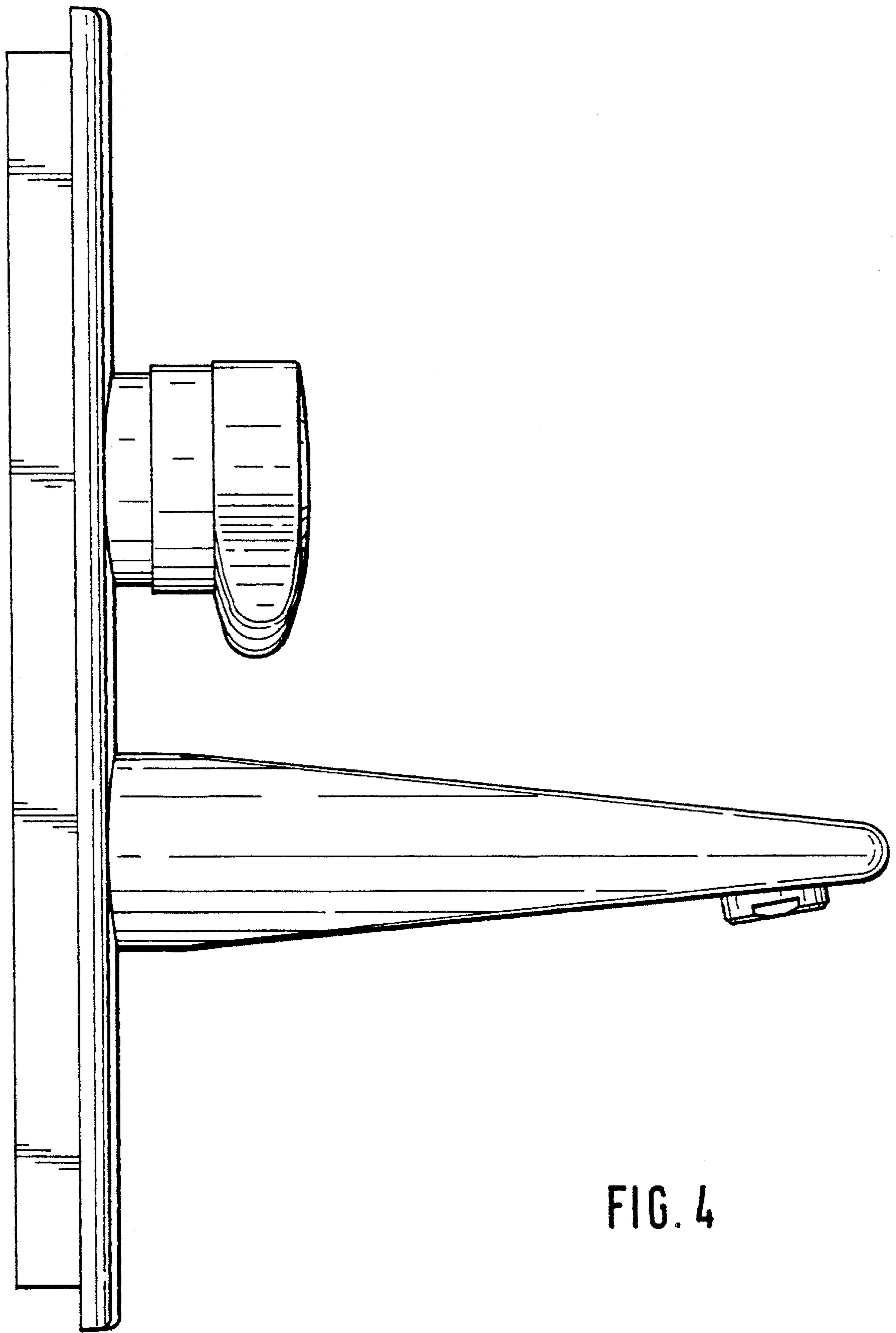


FIG. 4

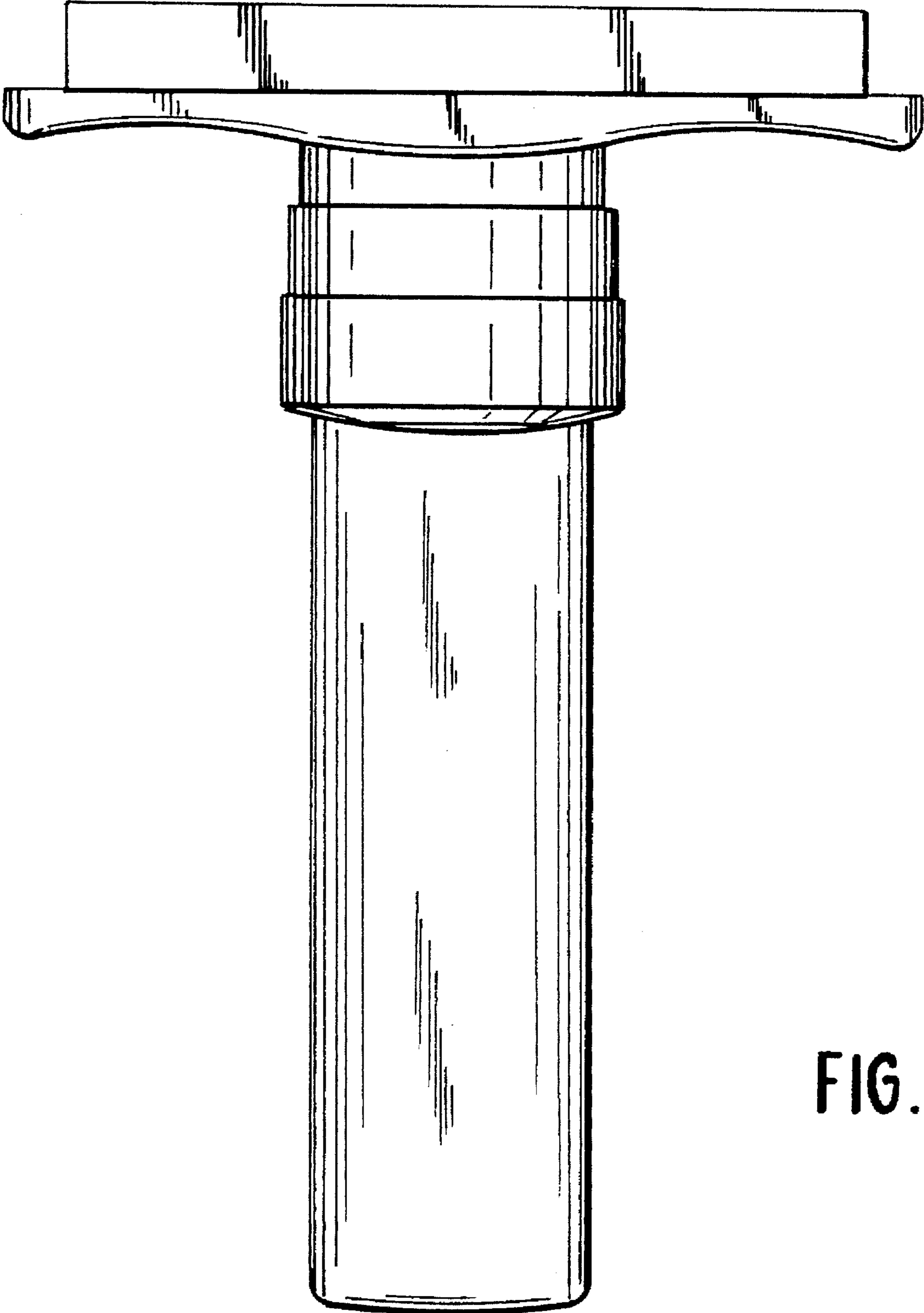


FIG. 5

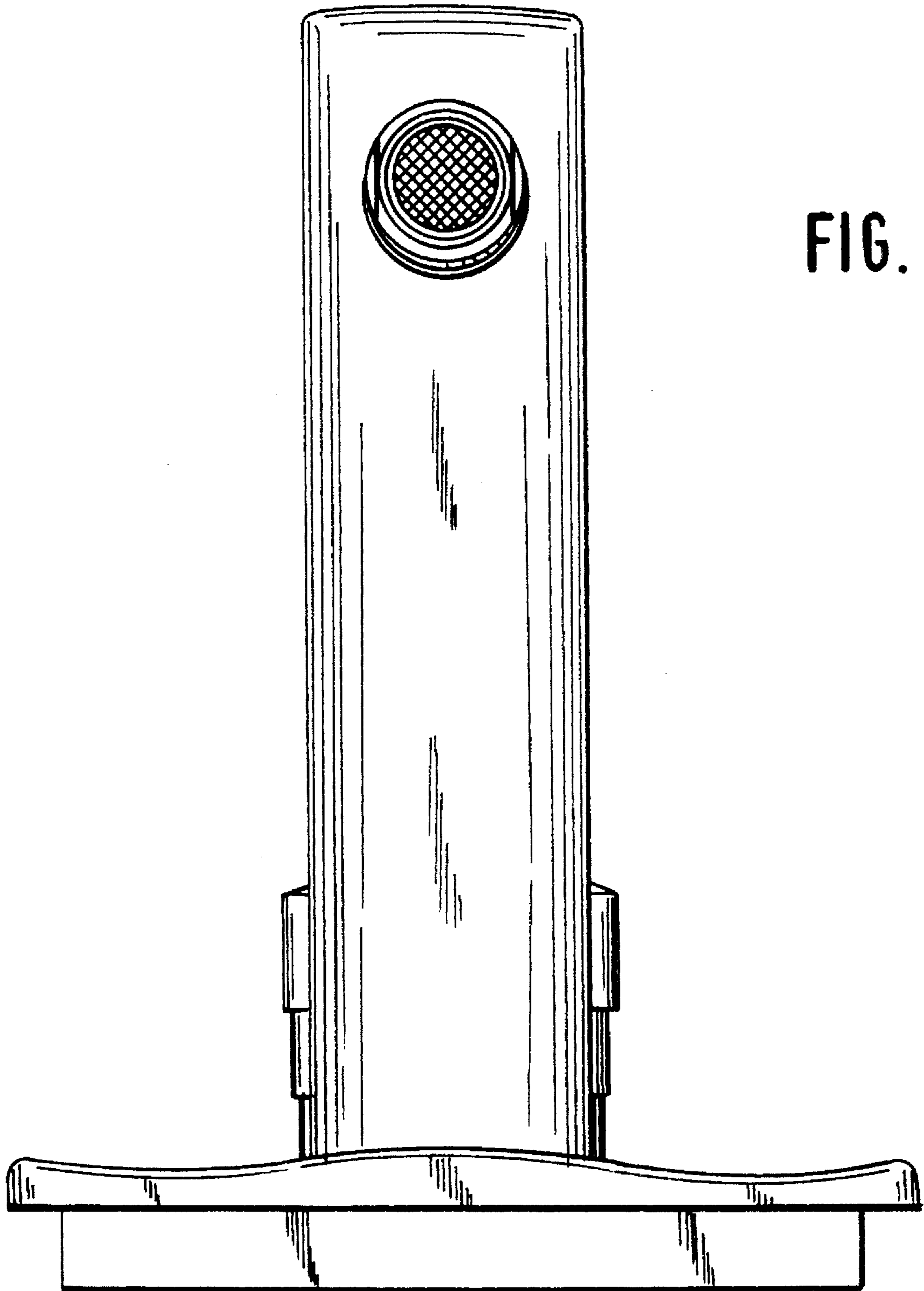


FIG. 6