



US00D372302S

United States Patent [19] Moore

[11] Patent Number: **Des. 372,302**

[45] Date of Patent: ****Jul. 30, 1996**

[54] BACK REST FOR BATHTUB

[76] Inventor: **Lois A. Moore**, W. 1605 Courtland,
Spokane, Wash. 99205

[**] Term: **14 Years**

[21] Appl. No.: **21,014**

[22] Filed: **Apr. 7, 1994**

[52] U.S. Cl. **D23/304**

[58] Field of Search D23/303, 304;
4/562.1, 565.1, 571.1, 573.1, 574.1, 579,
584, 578.1, 572.1, 590, 592, 611, 577.1

[56] References Cited

U.S. PATENT DOCUMENTS

602,125	4/1898	Burrows	4/579
799,371	9/1905	Eustis .	
1,011,448	12/1911	Lahl	597/544
1,163,945	12/1915	Murdock	4/575.1
1,245,660	11/1917	Behm	4/579
1,371,715	3/1921	West .	
1,676,354	7/1928	Sachsse	4/575.1
2,460,148	1/1949	Roth	311/38
2,461,880	2/1949	Curran	155/174
2,507,848	5/1950	Bashaw	4/155
2,563,076	8/1951	Schreckengost	4/185
2,574,389	11/1951	Harrold et al.	155/173
2,769,486	11/1956	Rabinovitch et al.	155/182
3,078,474	2/1963	Chaitlen	4/185
3,210,775	10/1965	Jongeneel	4/185
3,507,538	4/1970	Stoller	297/410
3,583,000	6/1971	Matkea	4/185
4,472,844	9/1984	Mace	4/579

FOREIGN PATENT DOCUMENTS

452599	11/1943	Canada .
869752	5/1971	Canada .
3103424	9/1982	Germany .
157894	12/1932	Switzerland .
367143	9/1931	United Kingdom .

OTHER PUBLICATIONS

Official Bazette, Mar. 11, 1986 p. #4,574,406 Tub Com-
forter, p. 444.

Primary Examiner—Louis S. Zarfes
Assistant Examiner—E. Watterson
Attorney, Agent, or Firm—Keith S. Bergman

[57] CLAIM

The ornamental design for back rest for bathtub, as shown
and described.

DESCRIPTION

FIG. 1 is a perspective view of my back rest for bathtub
shown in place for use in a bathtub, the broken lines partially
showing the bathtub being for illustrative purposes only and
forming no part of the design;
FIG. 2 is a front view of my back rest;
FIG. 3 is a back view of FIG. 3;
FIG. 4 is a left side view of FIG. 3;
FIG. 5 is a right side view of FIG. 3;
FIG. 6 is a top view of FIG. 3; and,
FIG. 7 is a bottom view of FIG. 3.

1 Claim, 2 Drawing Sheets

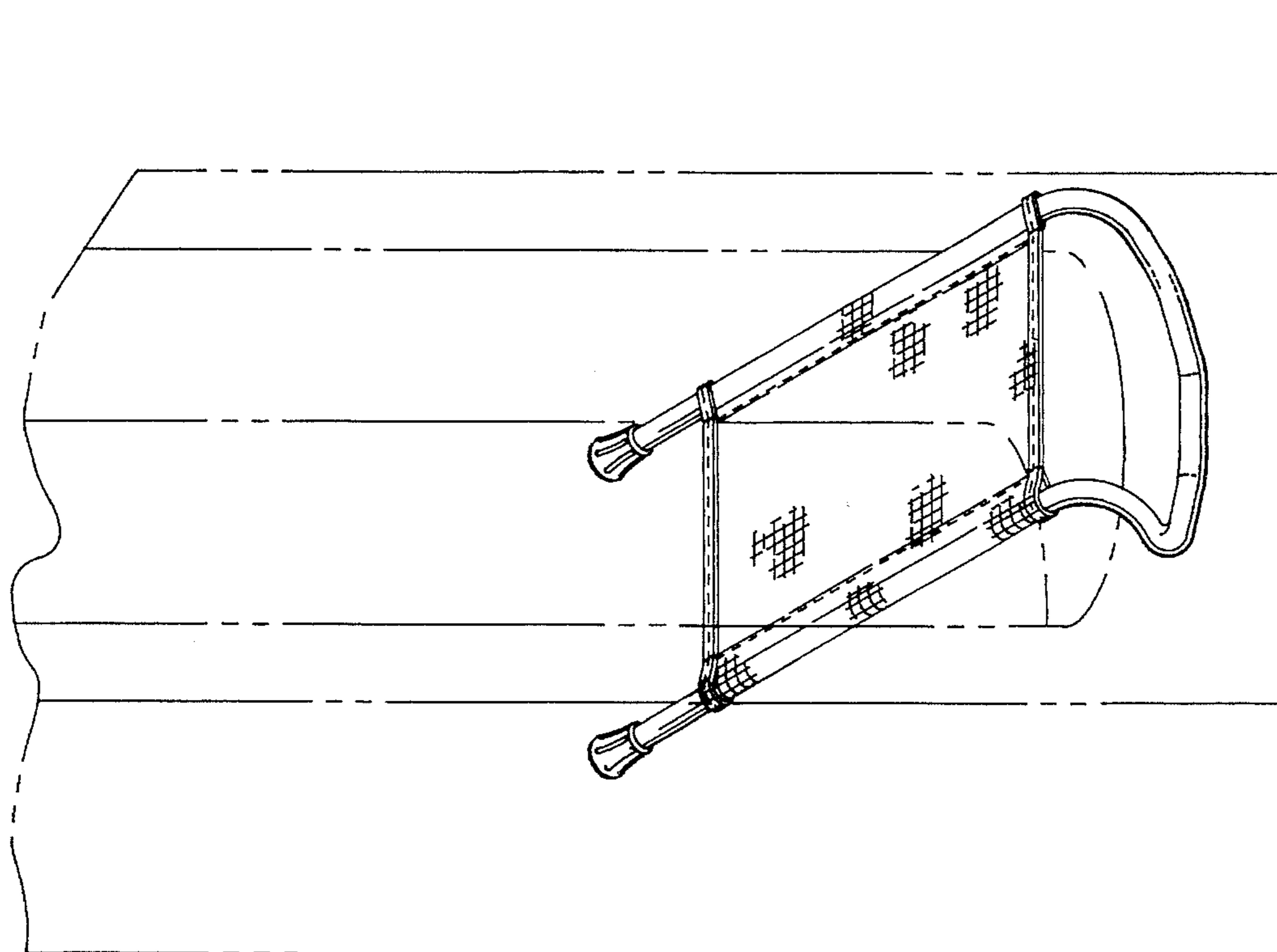


FIG. 1

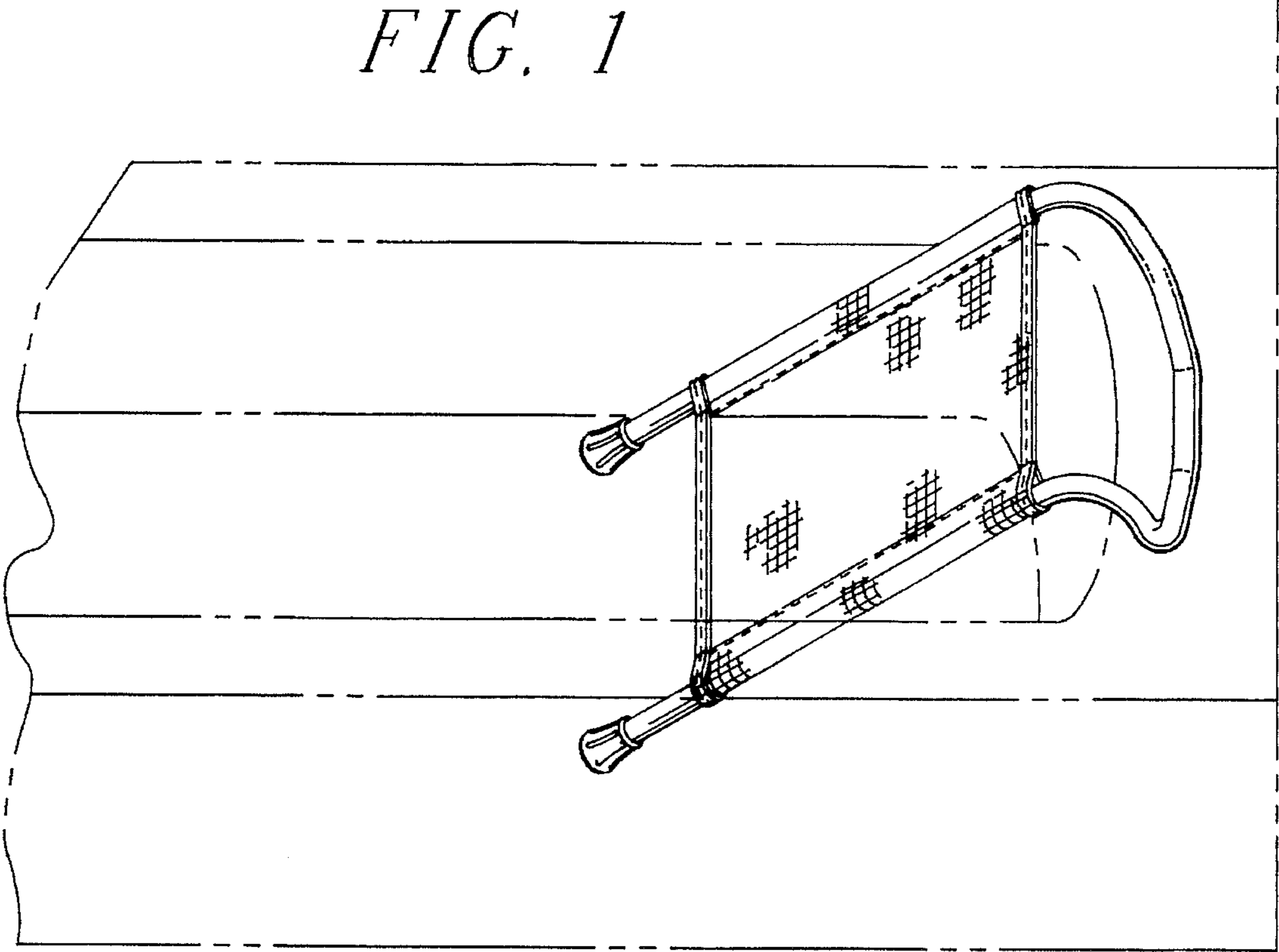
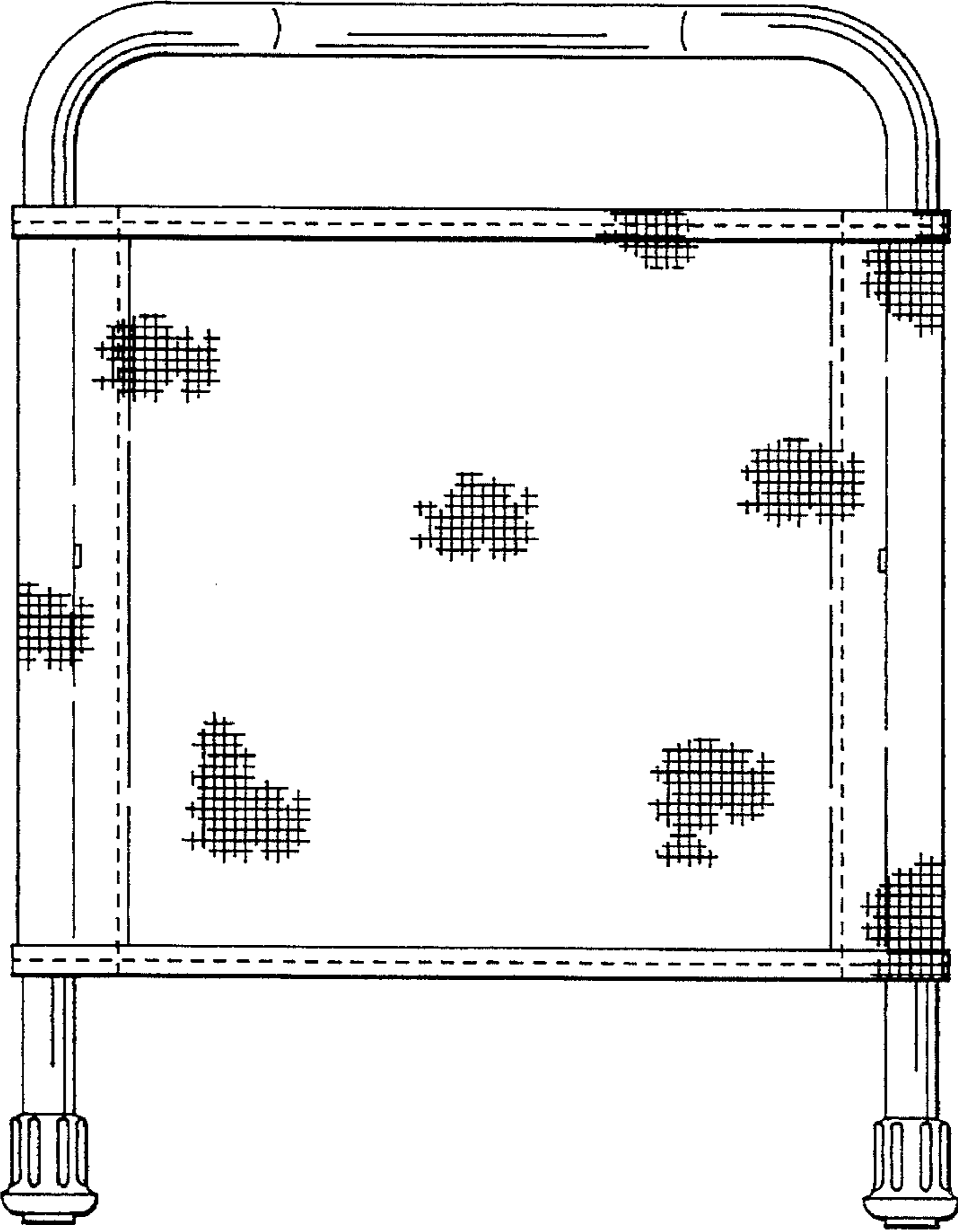


FIG. 2



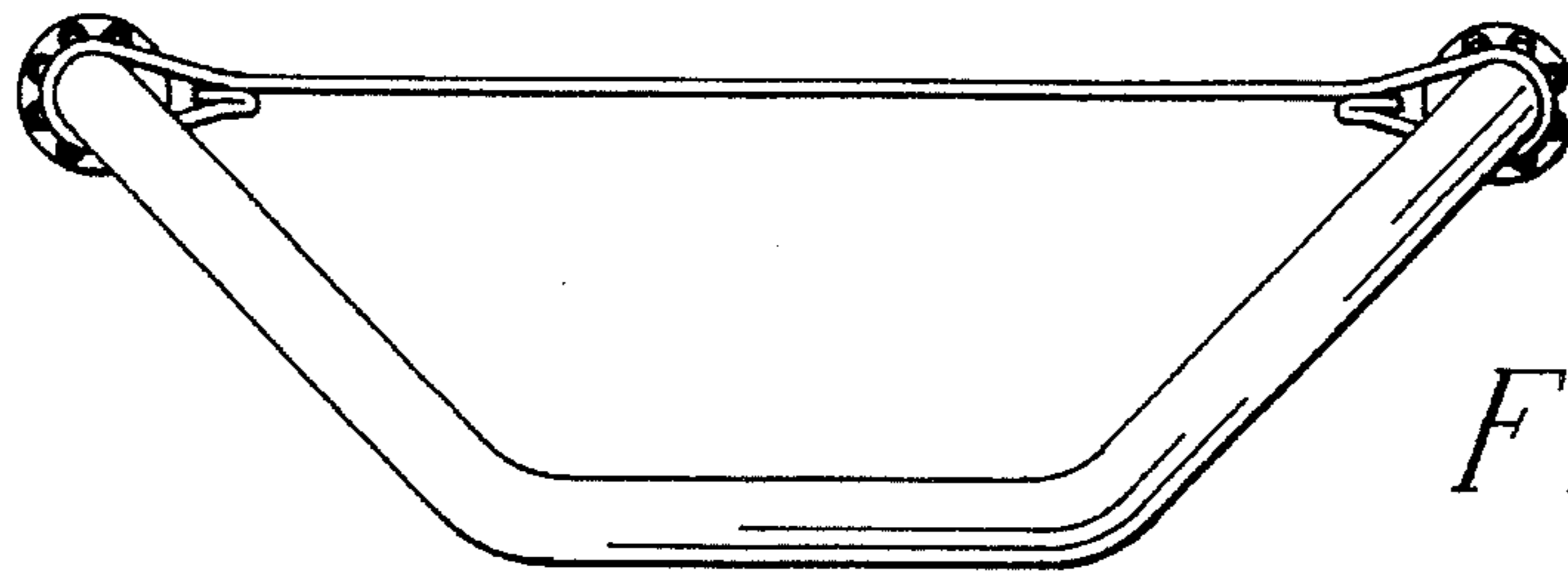


FIG. 6

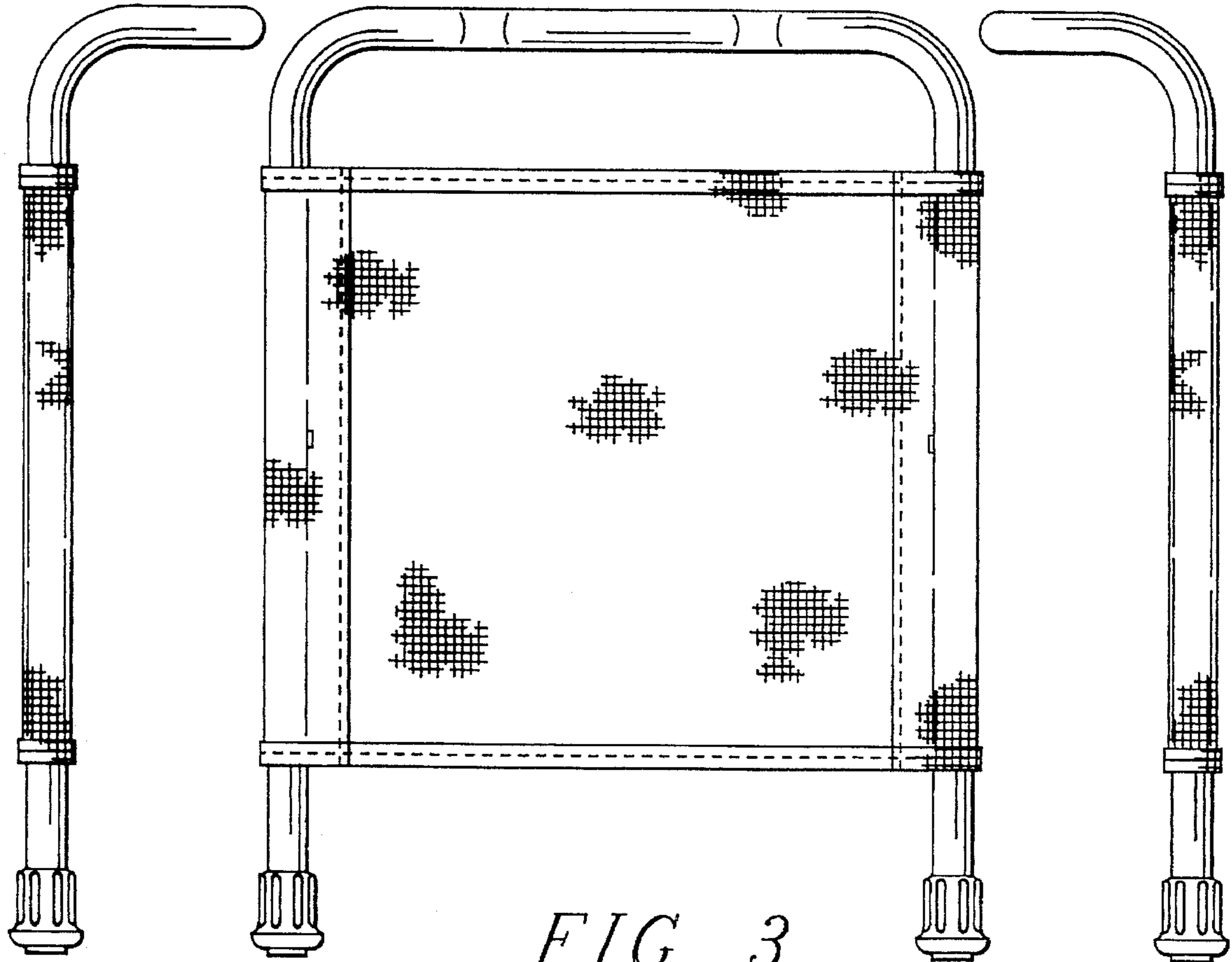


FIG. 3

FIG. 4

FIG. 5

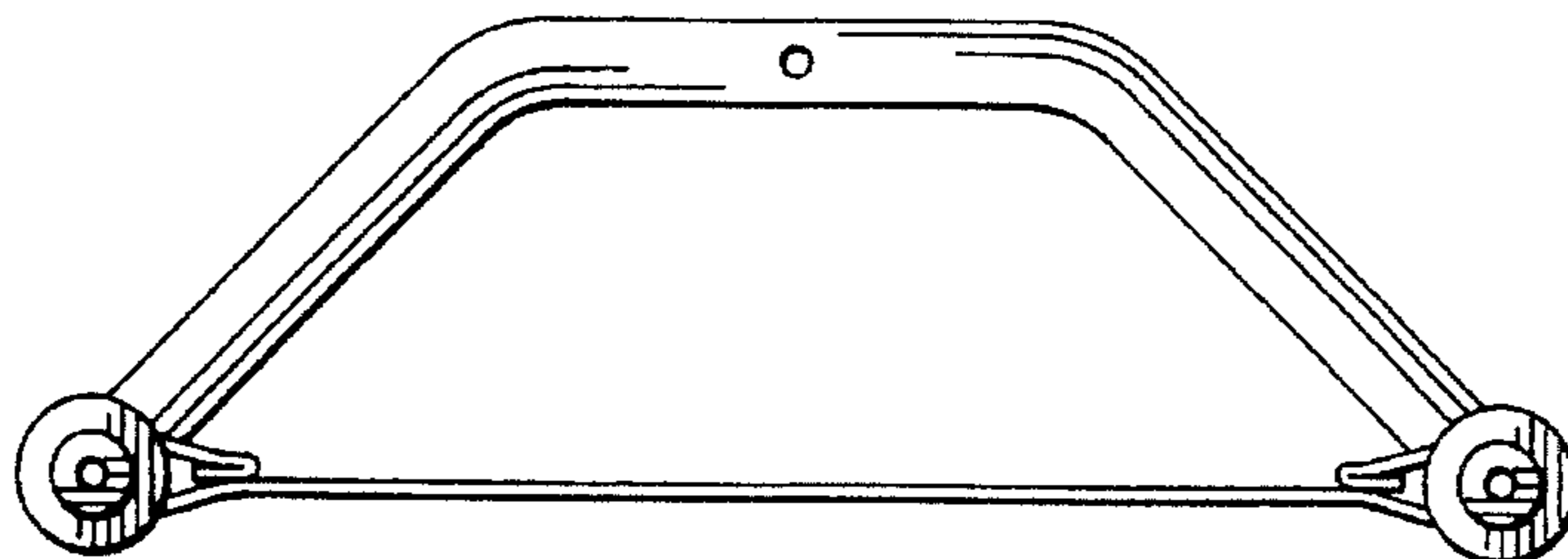


FIG. 7