



US00D372300S

**United States Patent** [19]  
**Fabian**

[11] **Patent Number: Des. 372,300**

[45] **Date of Patent: \*\*Jul. 30, 1996**

[54] **FAUCET HANDLE**

[75] Inventor: **Wolfgang Fabian**, Mannheim, Germany

[73] Assignee: **American Standard Inc.**, Piscataway, N.J.

[\*\*] Term: **14 Years**

[21] Appl. No.: **21,013**

[22] Filed: **Apr. 7, 1994**

[52] U.S. Cl. .... **D23/252**

[58] **Field of Search** ..... D23/238-243,  
D23/249-254; D8/308, 310; 251/291, 292;  
4/675-678; 137/801; 16/110 R, 111 R,  
114 R, 118, 121, 123, 125, DIG. 24, DIG. 30,  
DIG. 41

[56] **References Cited**

**U.S. PATENT DOCUMENTS**

D. 77,024 11/1928 Mueller ..... D23/240  
543,477 8/1895 Frye ..... 4/678  
1,921,525 8/1933 Howard et al. .... D23/252 X

**OTHER PUBLICATIONS**

American Standard Inc. Brochure, 1991 p. 8-A, C; p. 36; p. 38-D.

*Primary Examiner*—Louis S. Zarfes

*Assistant Examiner*—Eric Watterson

*Attorney, Agent, or Firm*—Elaine Brenner Robinson; Ann M. Knab

[57] **CLAIM**

The ornamental design for a faucet handle, as shown and described.

**DESCRIPTION**

FIG. 1 is a perspective view of a faucet handle showing my new design;

FIG. 2 is a top plan view thereof;

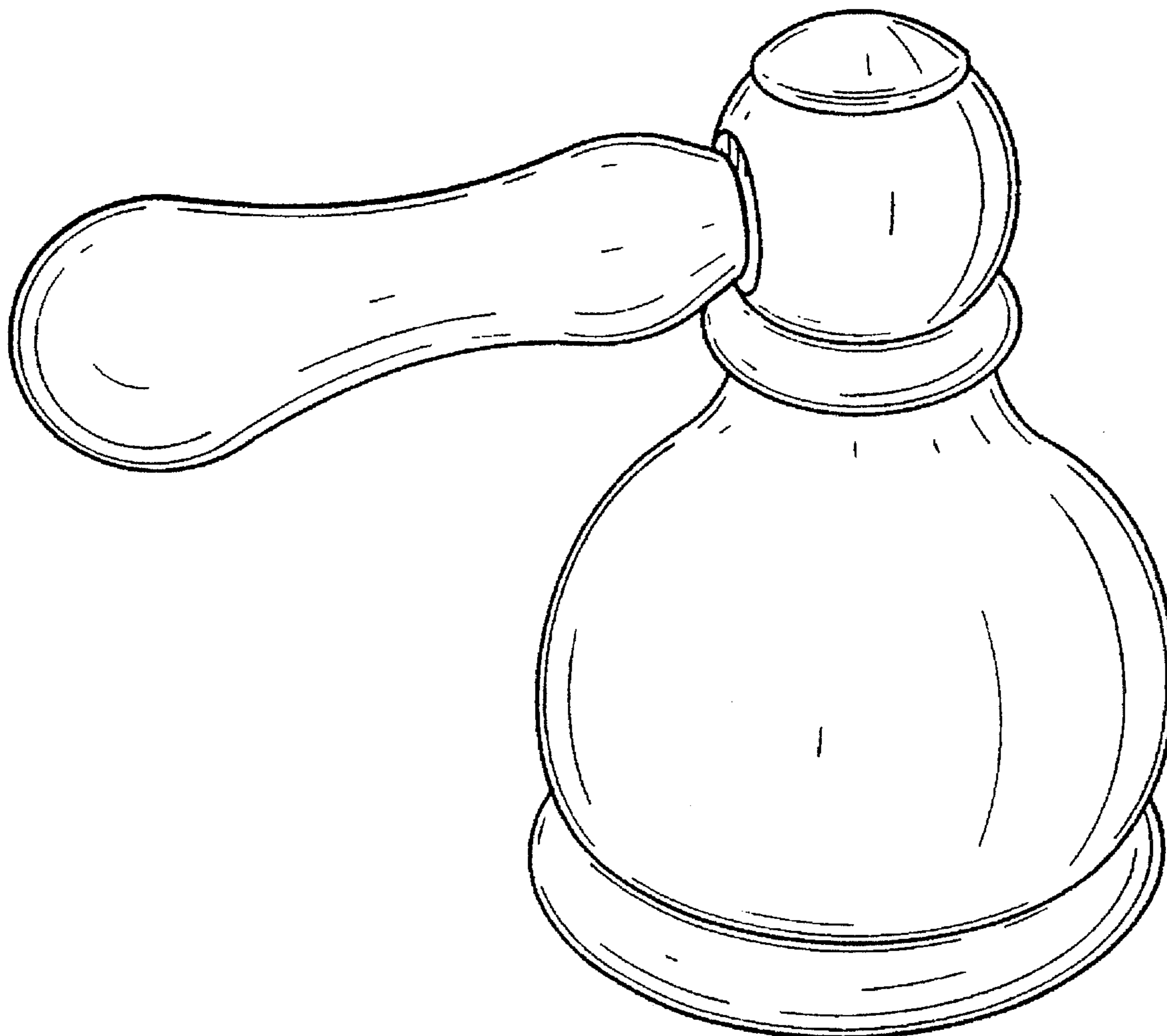
FIG. 3 is a front elevational view thereof;

FIG. 4 is a left side elevational view thereof, the right side view being a mirror image of the left side;

FIG. 5 is a rear elevational view thereof; and,

FIG. 6 is a bottom plan view thereof.

**1 Claim, 3 Drawing Sheets**



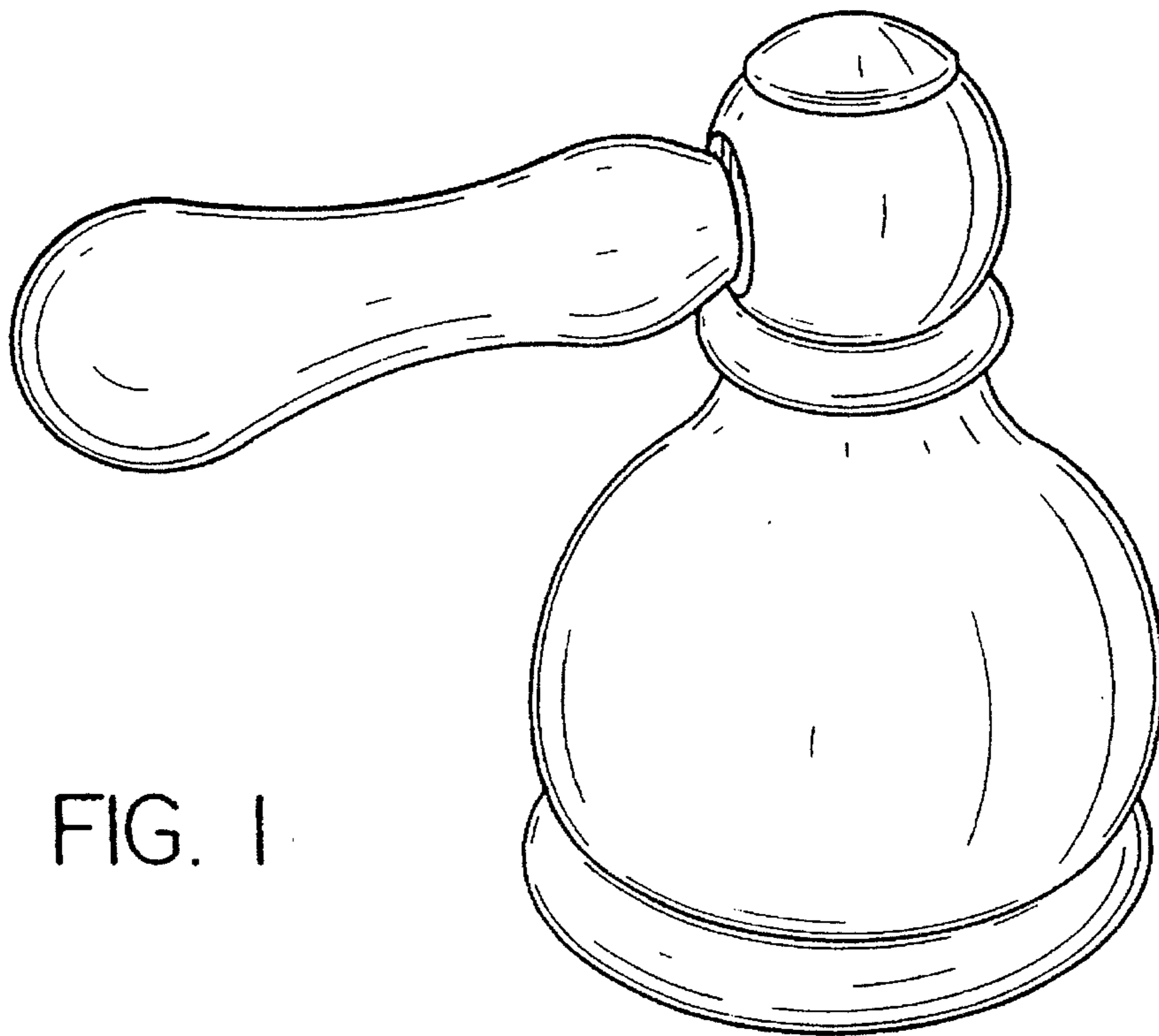


FIG. 1

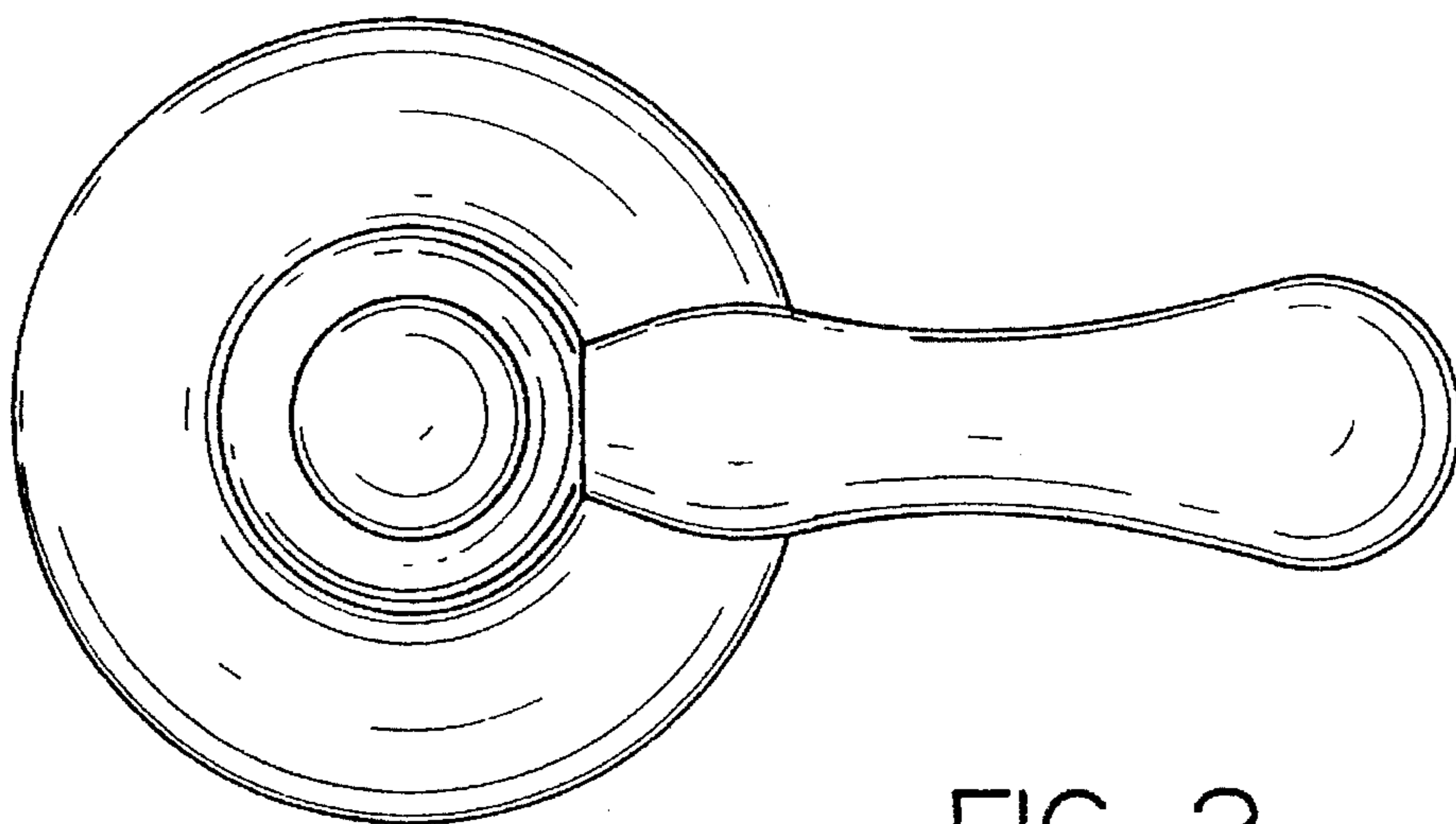


FIG. 2

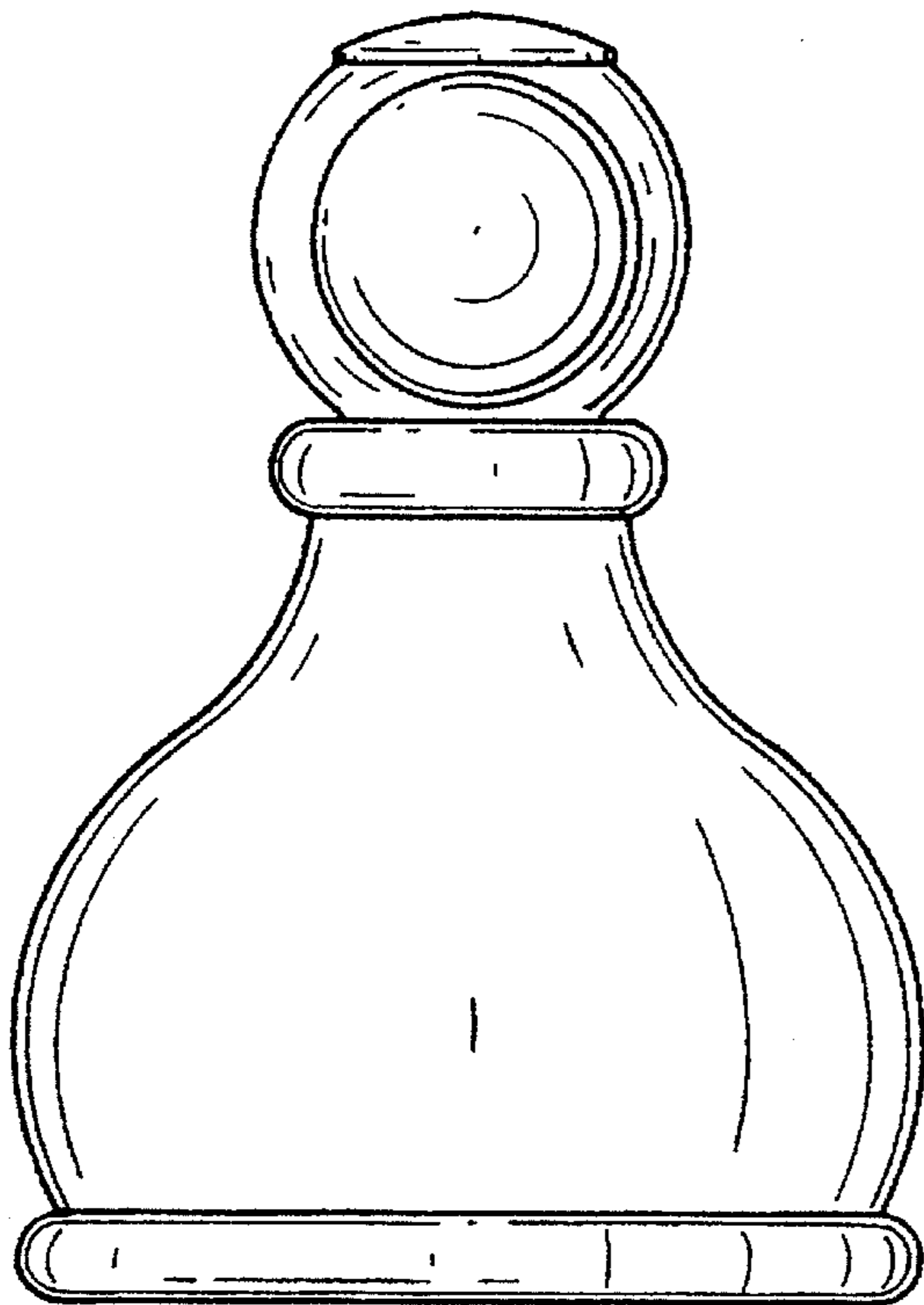


FIG. 3

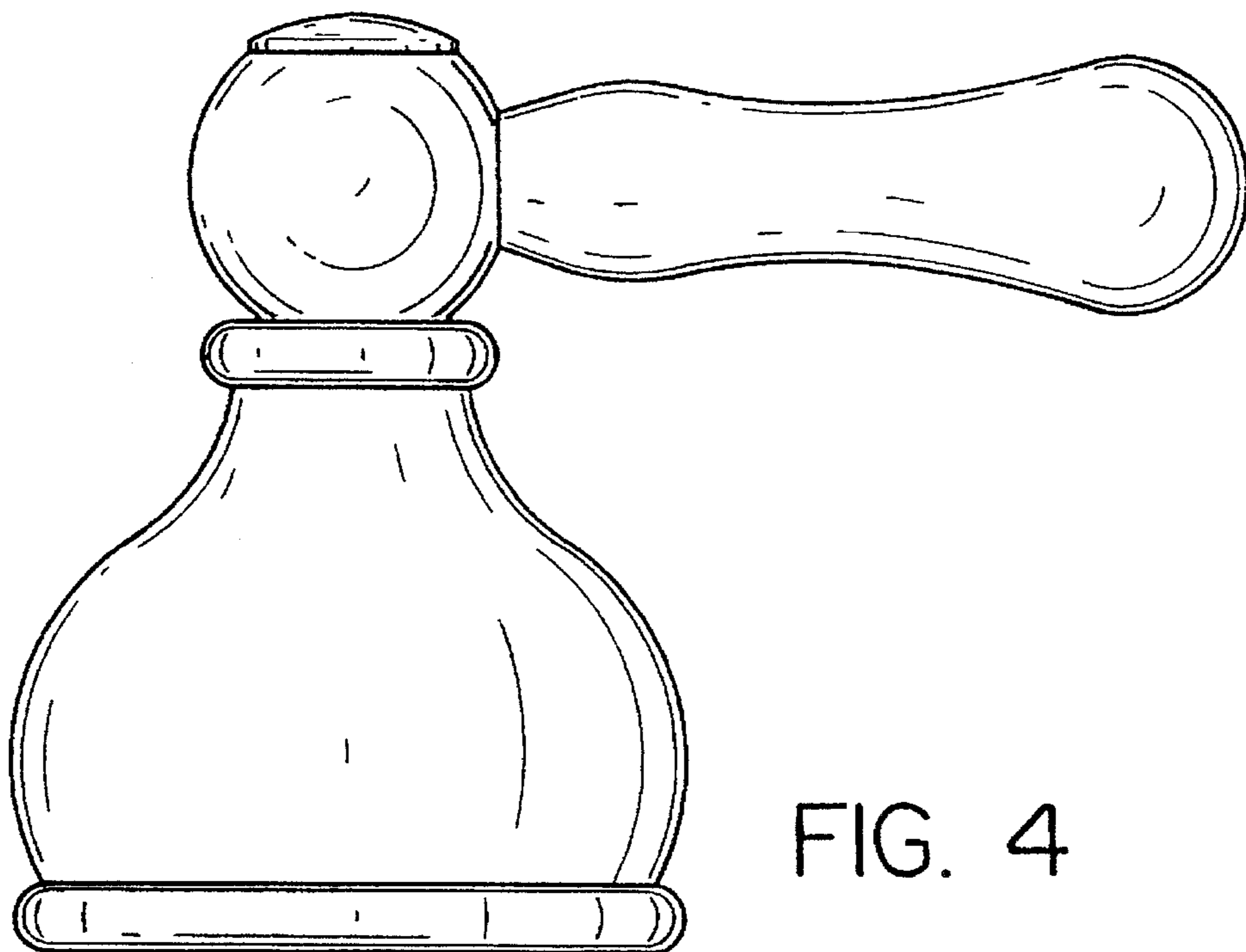


FIG. 4

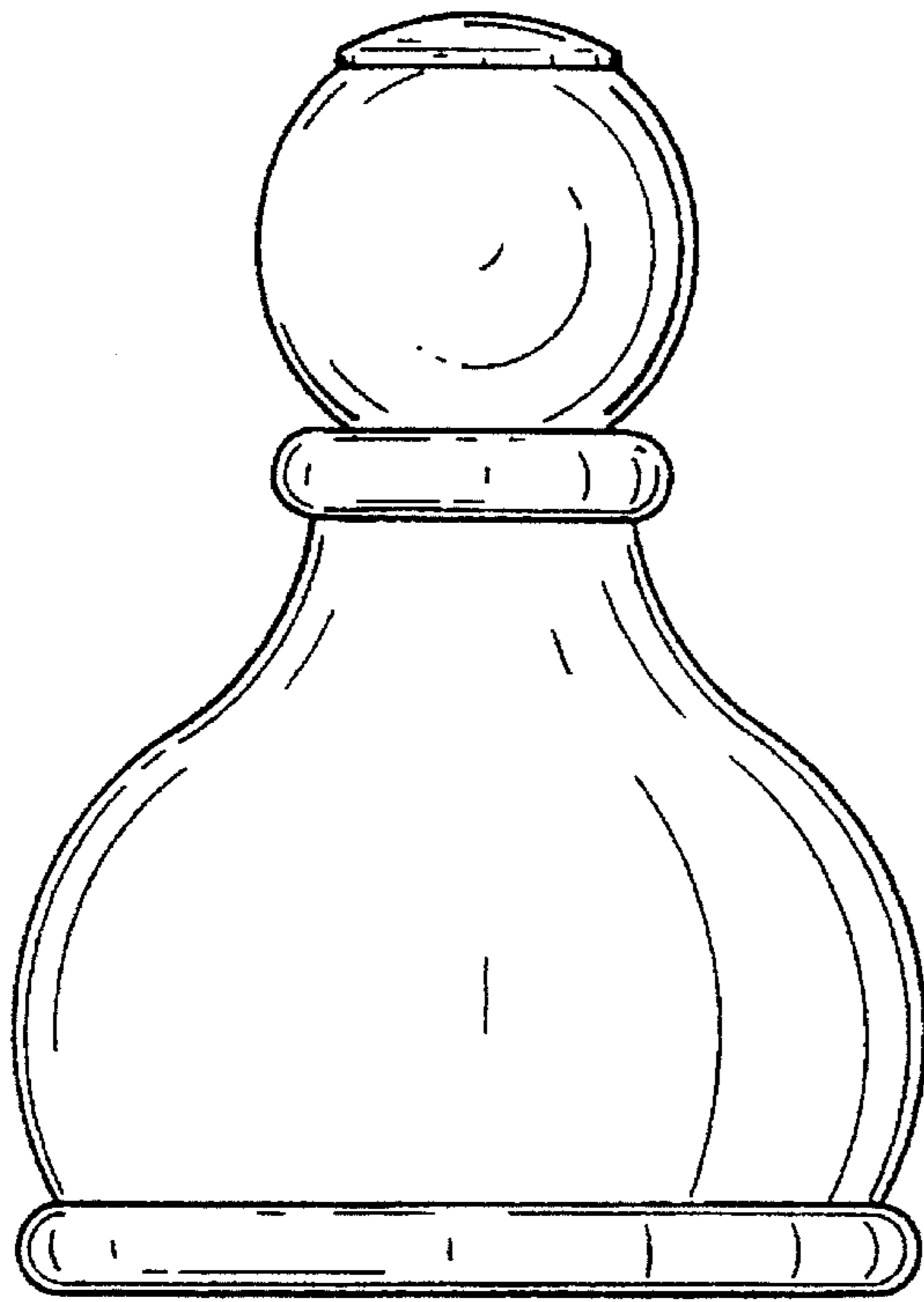


FIG. 5

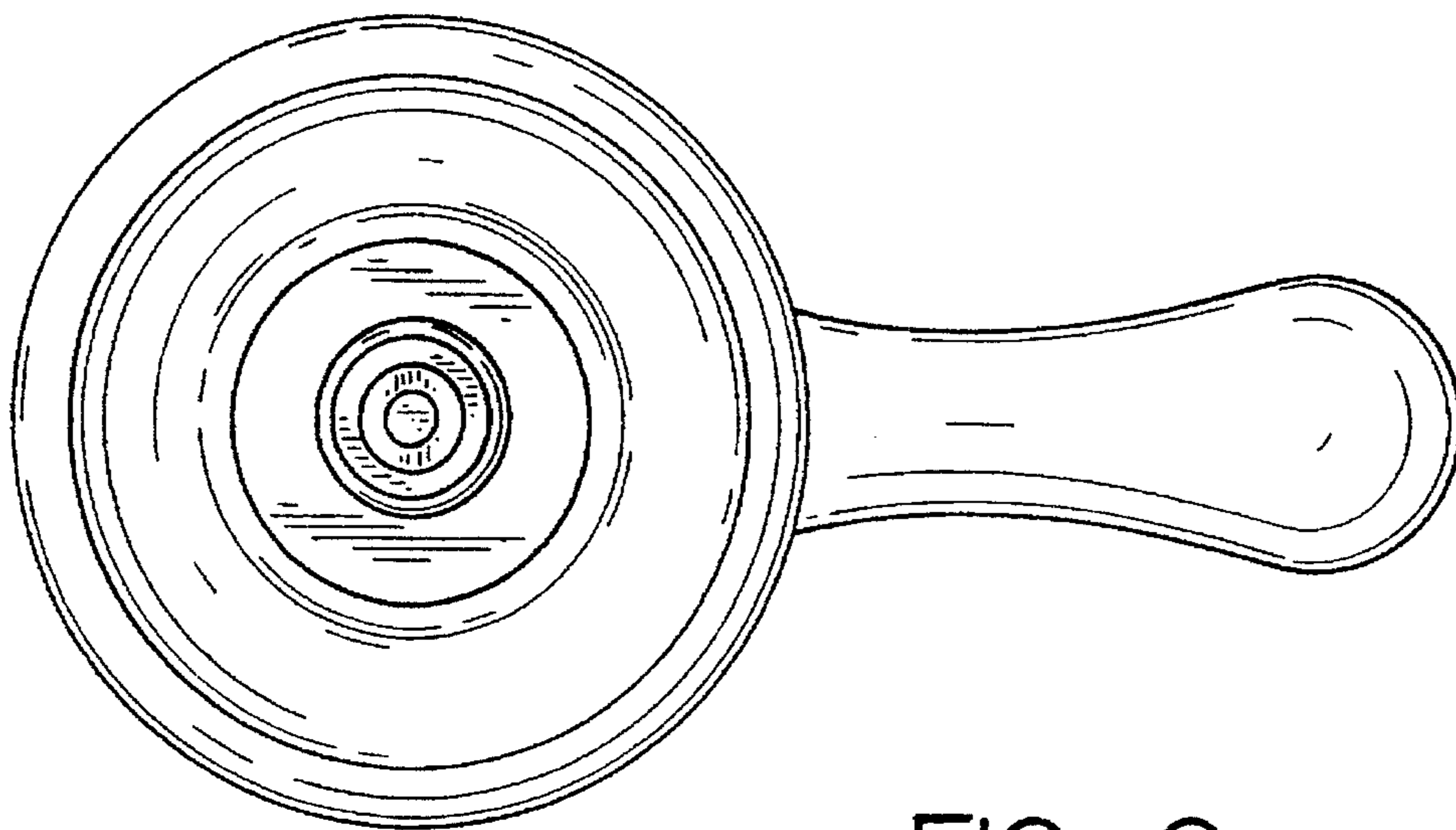


FIG. 6