



US00D372299S

United States Patent [19]
Fabian

[11] **Patent Number: Des. 372,299**
[45] **Date of Patent: **Jul. 30, 1996**

[54] **FAUCET HANDLE**
[75] Inventor: **Wolfgang Fabian**, Mannheim, Germany
[73] Assignee: **American Standard Inc.**, Piscataway, N.J.
[**] Term: **14 Years**

Assistant Examiner—Eric Watterson
Attorney, Agent, or Firm—Elaine Brenner Robinson; Ann M. Knab

[21] Appl. No.: **20,998**
[22] Filed: **Apr. 6, 1994**
[52] U.S. Cl. **D23/250**
[58] **Field of Search** D23/238–243,
D23/249–254; D8/308, 310; 251/291, 292;
4/678, 677, 676, 675; 137/801; 16/110 R,
111 R, 114 R, 118, 121, 123, 125, DIG. 24,
DIG. 30, DIG. 41

[57] **CLAIM**
The ornamental design for a faucet handle, as shown and described.

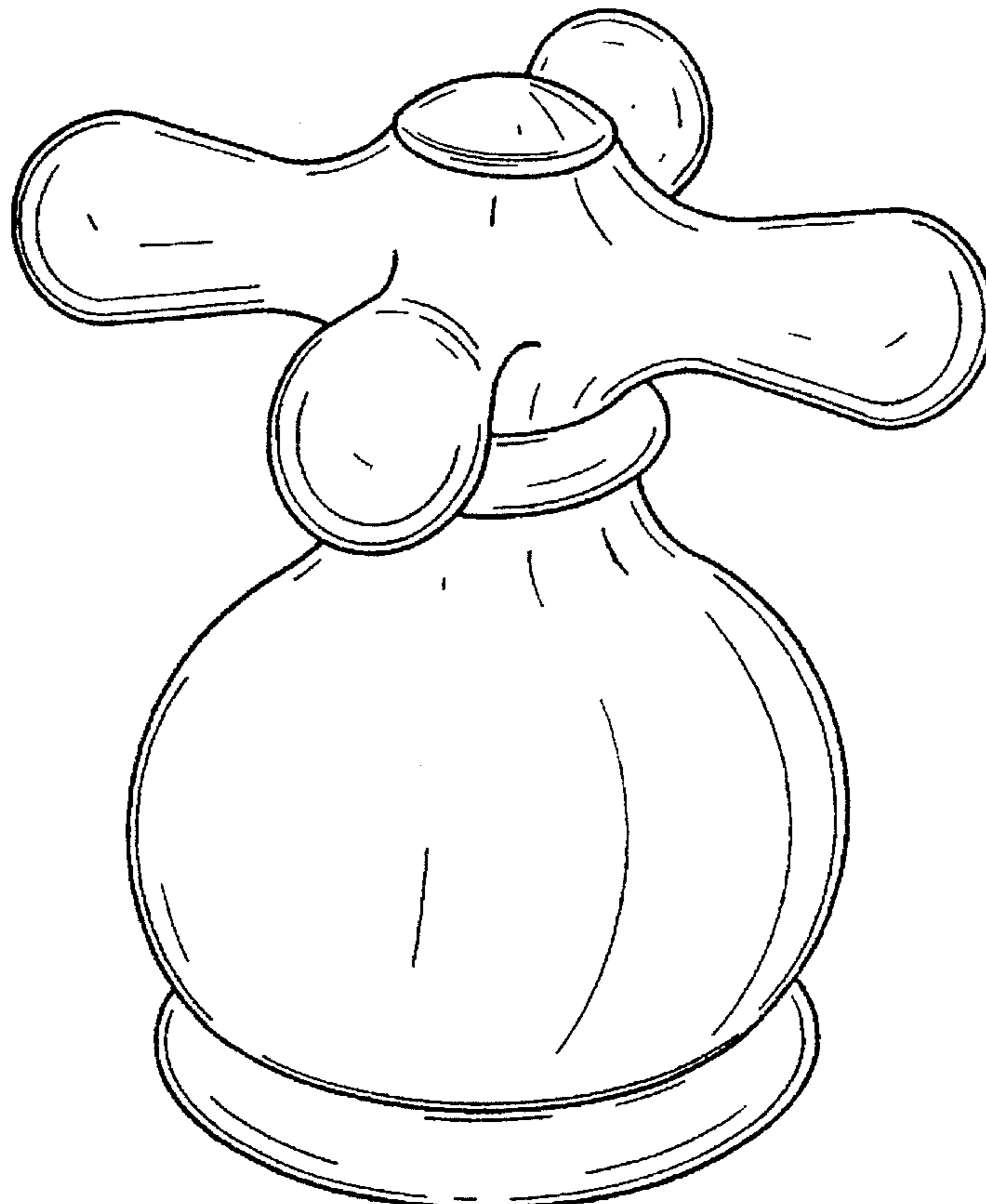
[56] **References Cited**
U.S. PATENT DOCUMENTS
D. 325,958 5/1992 Stairs, Jr. et al. .
364,181 5/1887 Love 4/675 X
1,212,806 1/1917 Newton 4/676
1,551,498 8/1925 Hitchcock 4/676 X

DESCRIPTION

FIG. 1 is a left perspective view of a faucet handle showing my new design;
FIG. 2 is a top plan view thereof;
FIG. 3 is a front elevational view thereof;
FIG. 4 is a left side elevational view thereof, the right side view being a mirror image of the left side;
FIG. 5 is a rear elevational view thereof;
FIG. 6 is a bottom plan view thereof;
FIG. 7 is a left perspective view of a faucet handle showing another embodiment of the design herein;
FIG. 8 is a top plan view of FIG. 7;
FIG. 9 is a front elevational view of FIG. 7;
FIG. 10 is a left side elevational view of FIG. 7, the right side view being a mirror image of the left side;
FIG. 11 is a rear elevational view of FIG. 7; and,
FIG. 12 is a bottom plan view of FIG. 7.

OTHER PUBLICATIONS
American Standard Brochure; faucets; 1991, p. 8 item B—Azimuth Deck Mount Bidet fitting w/Cross-Handles.
Primary Examiner—Louis S. Zarfes

1 Claim, 6 Drawing Sheets



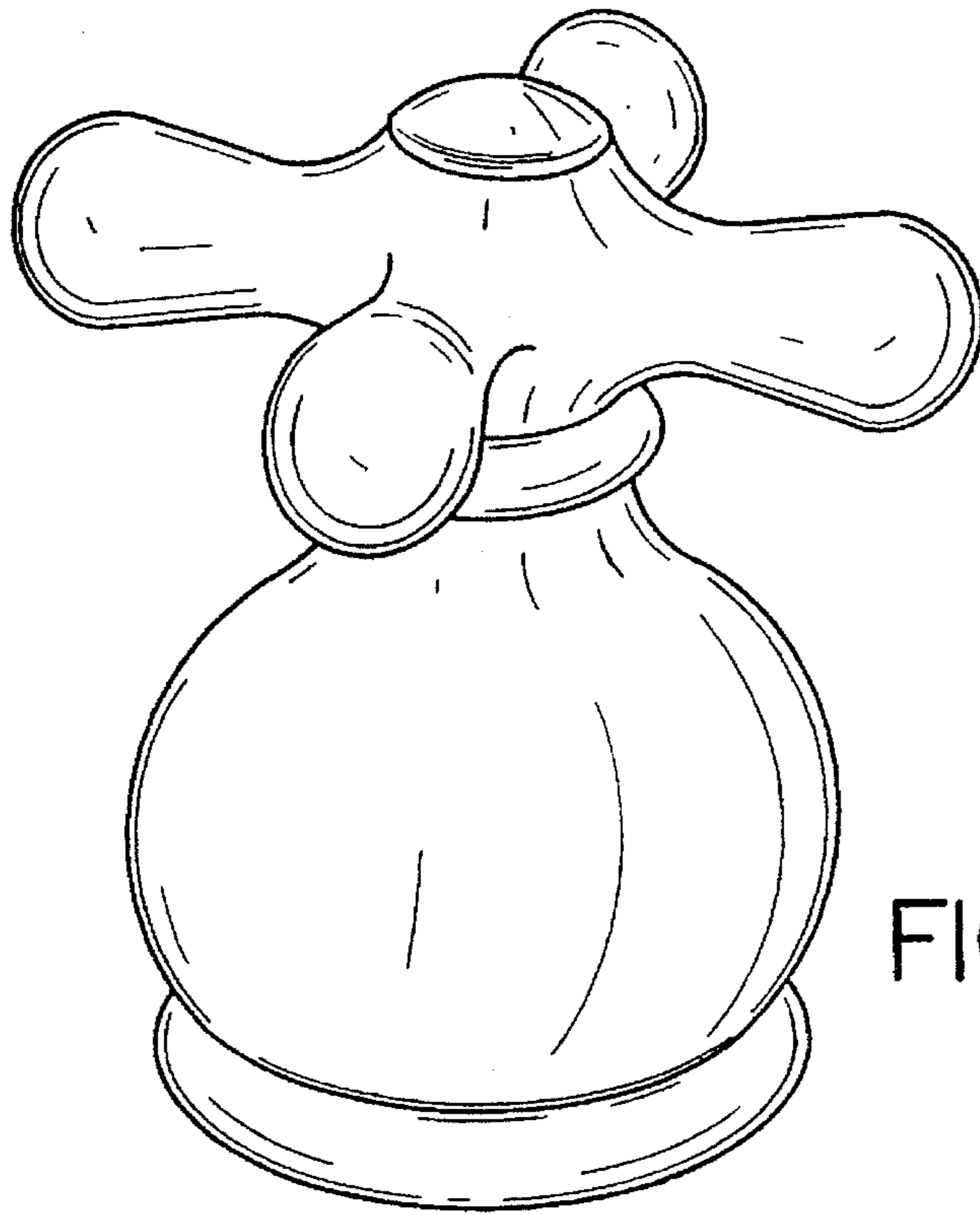


FIG. 1

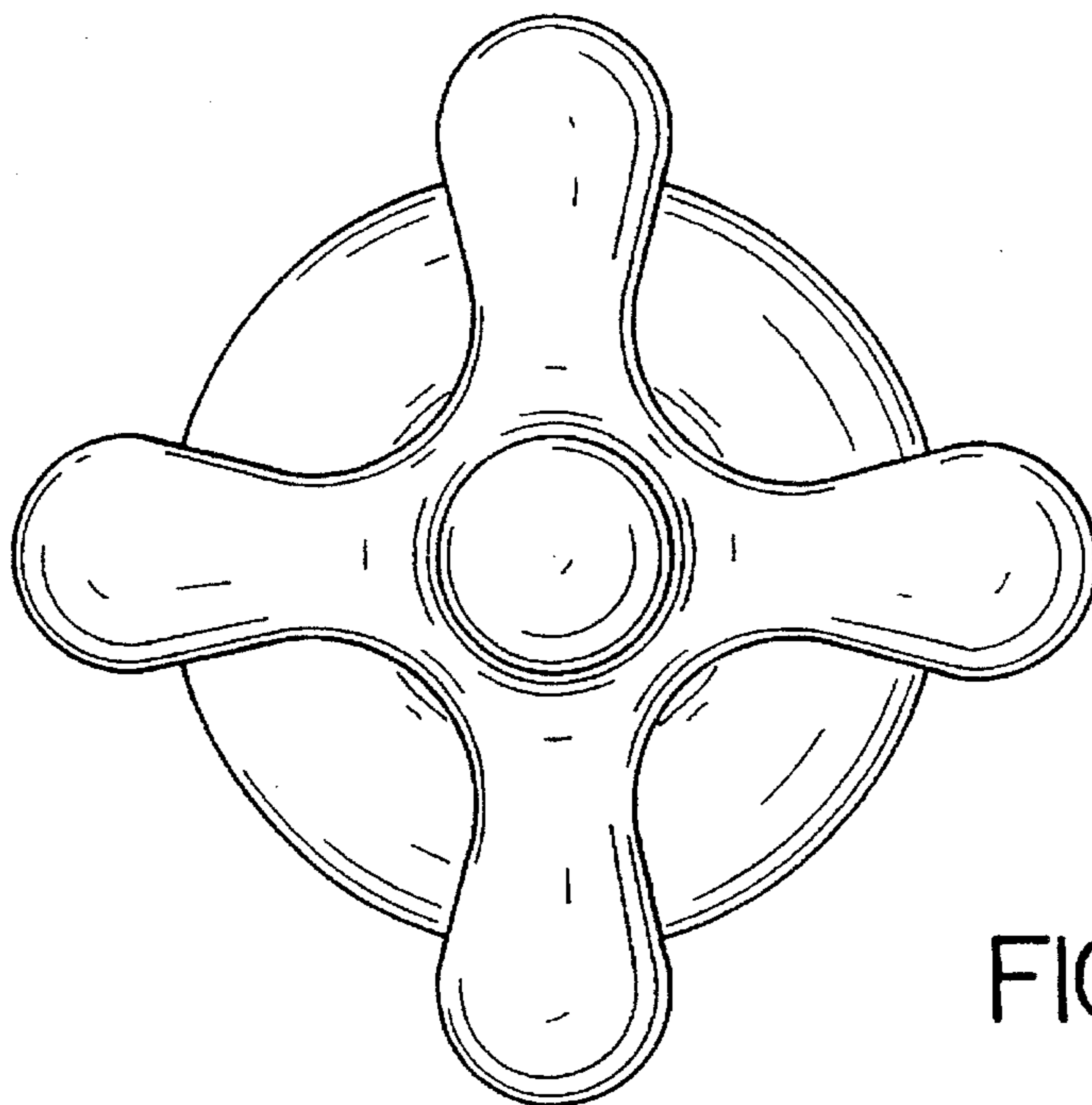


FIG. 2

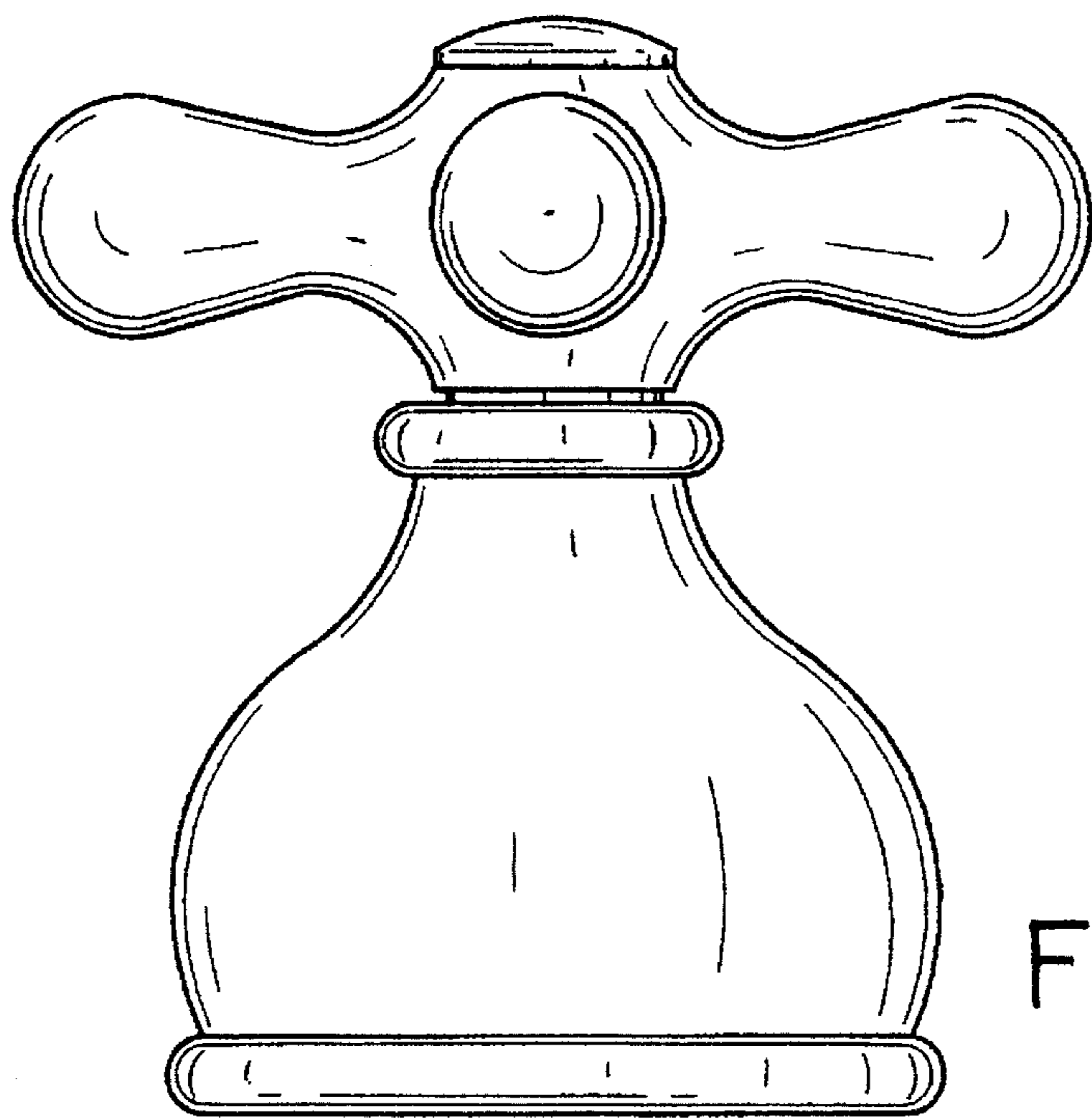


FIG. 3

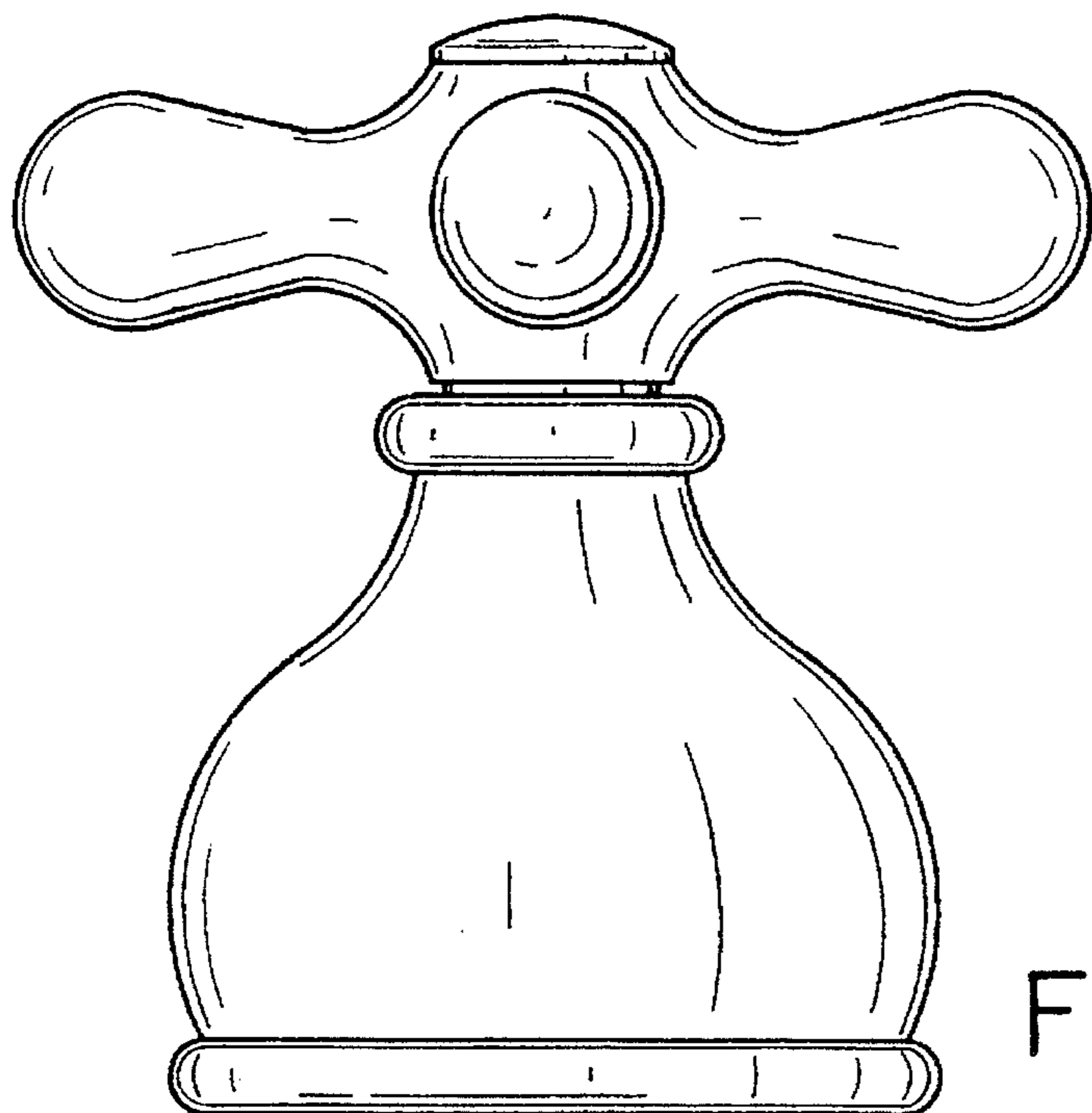


FIG. 4

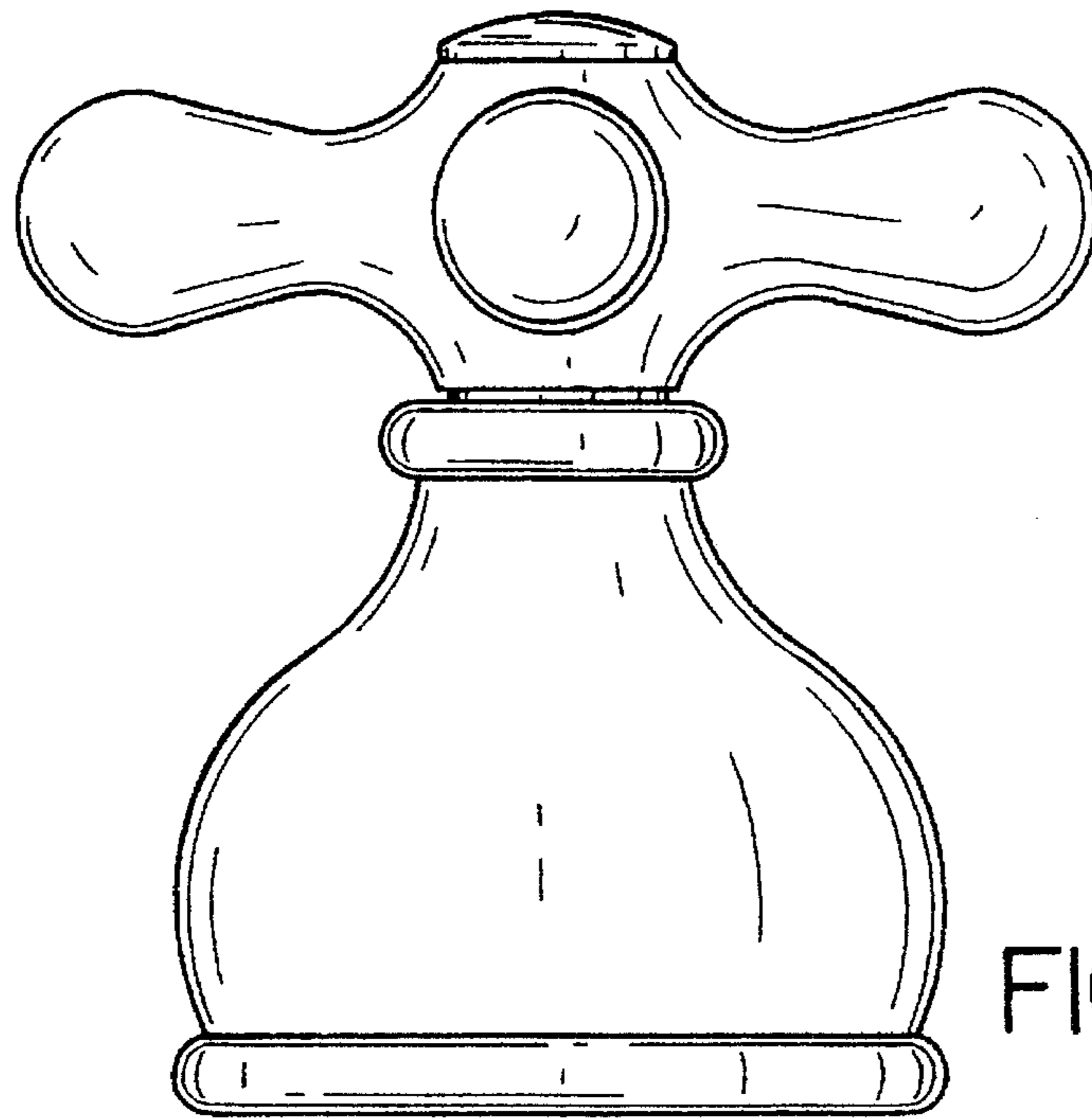


FIG. 5

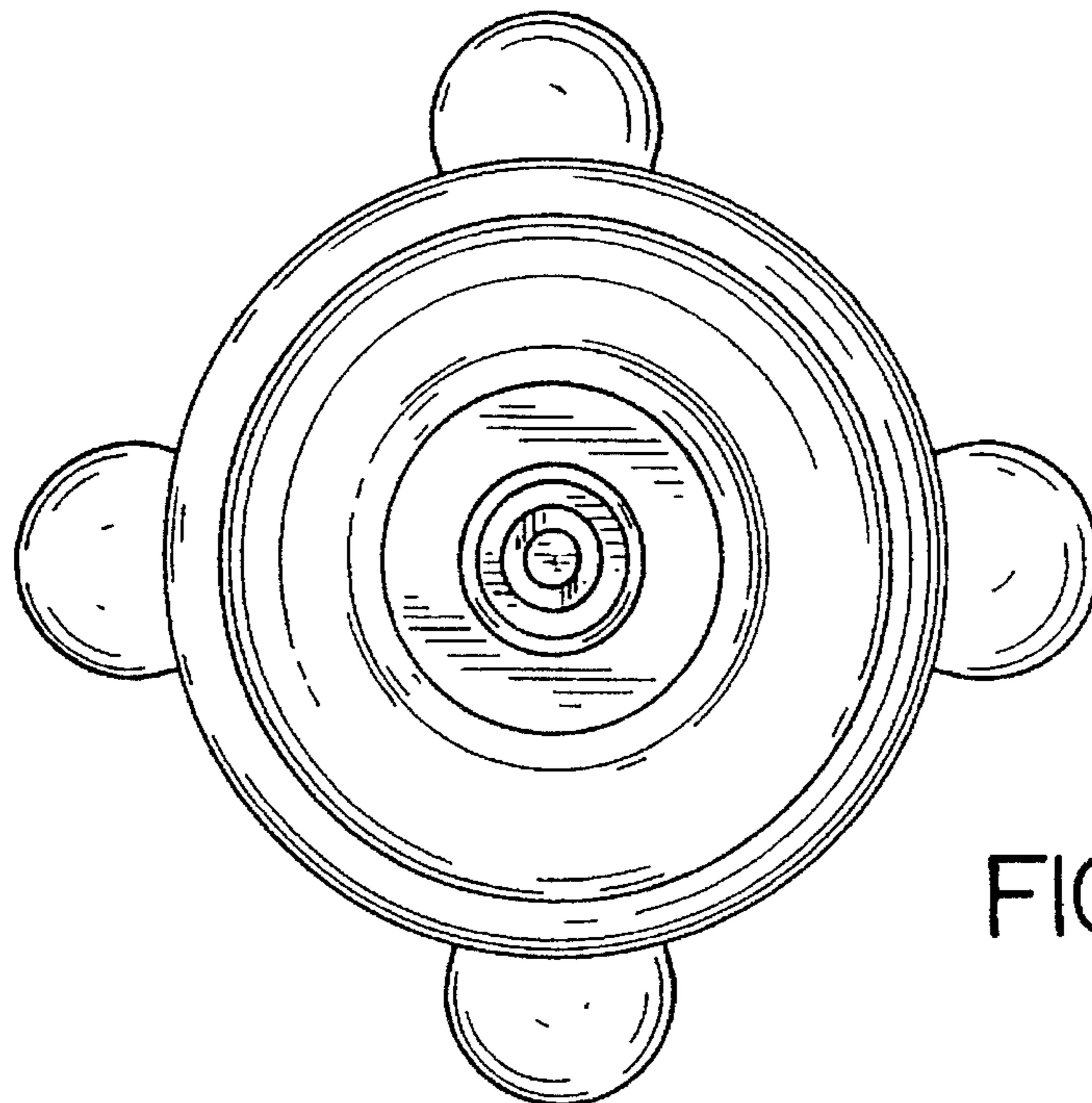


FIG. 6

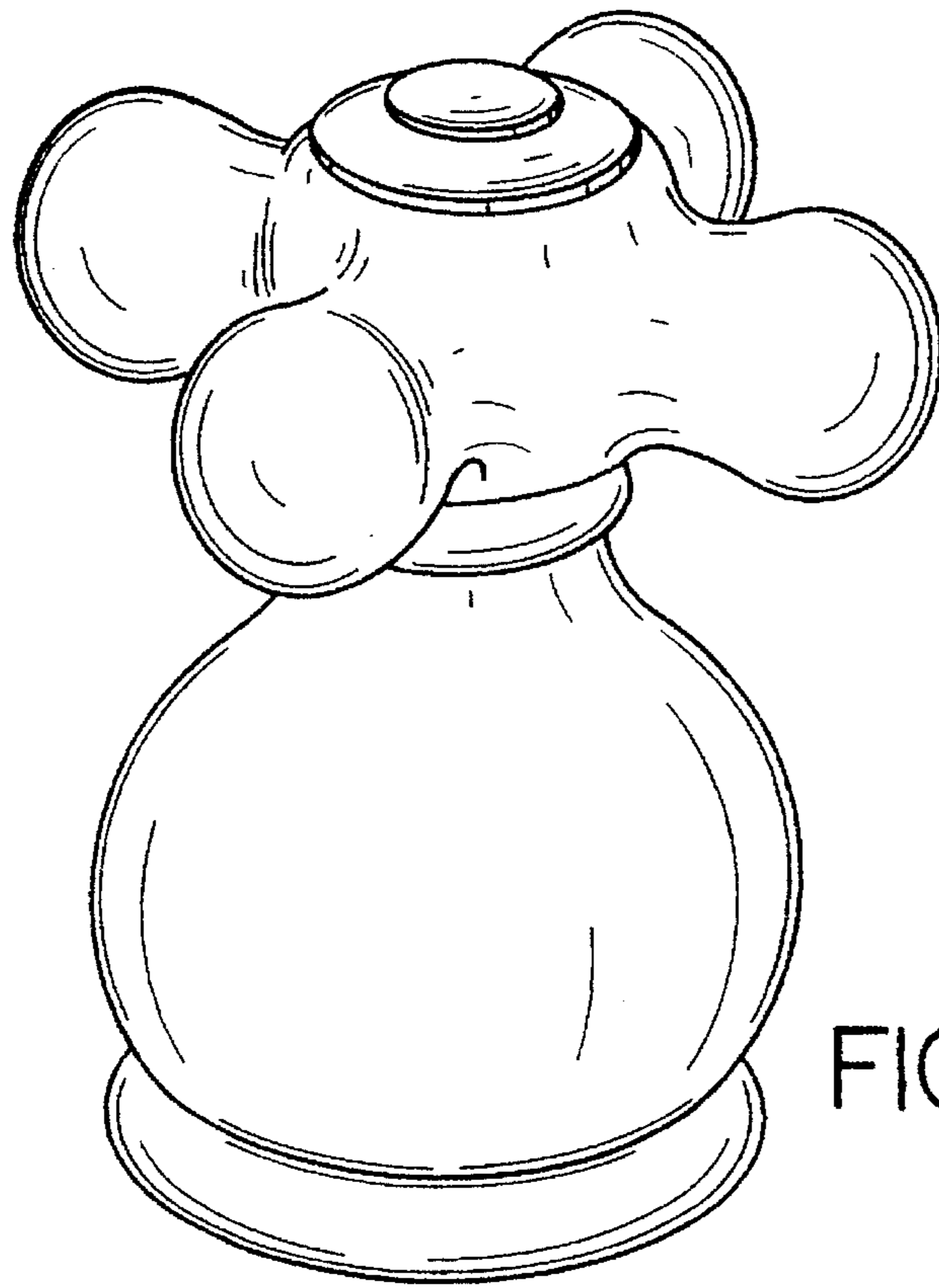


FIG. 7

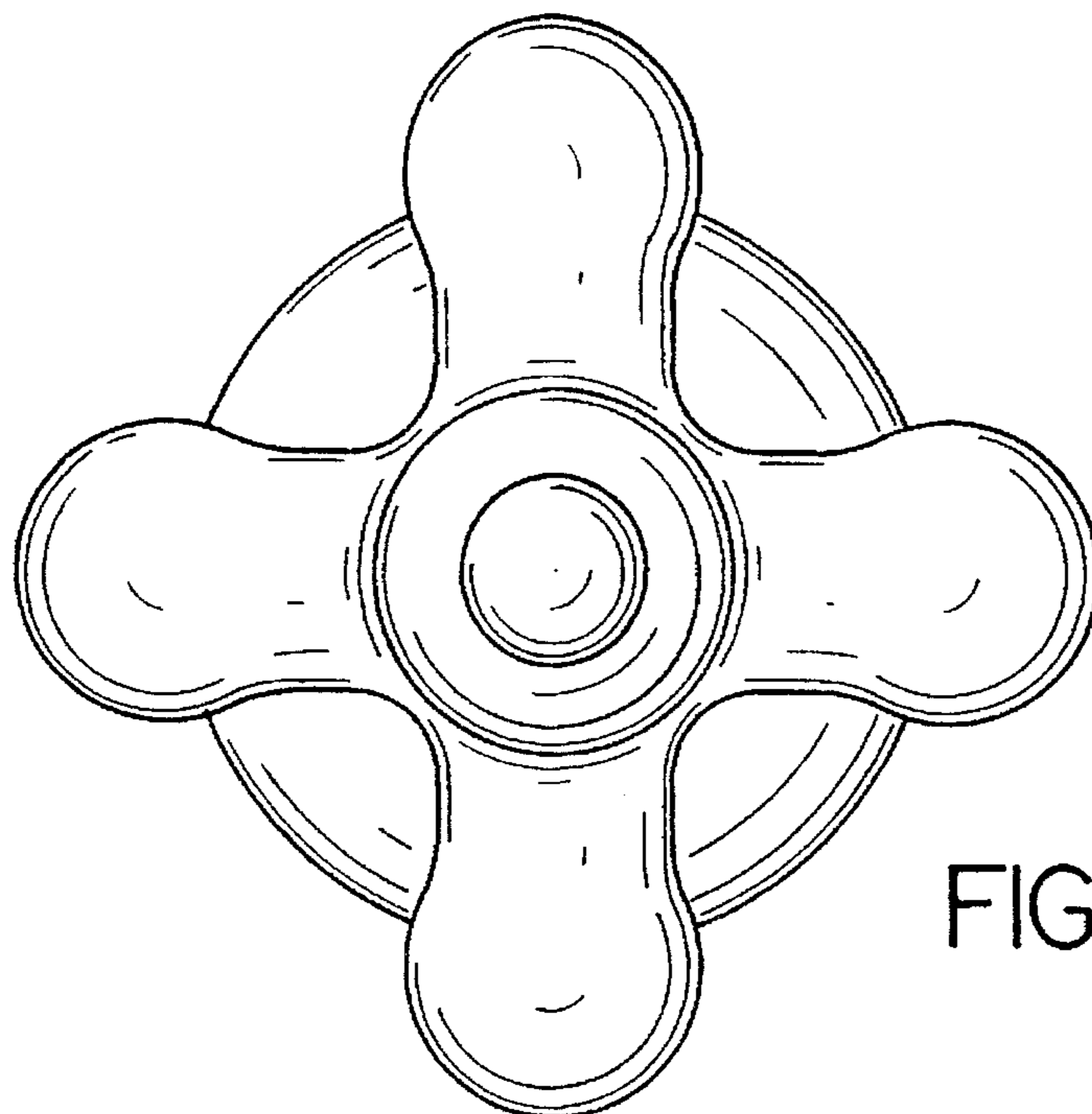


FIG. 8

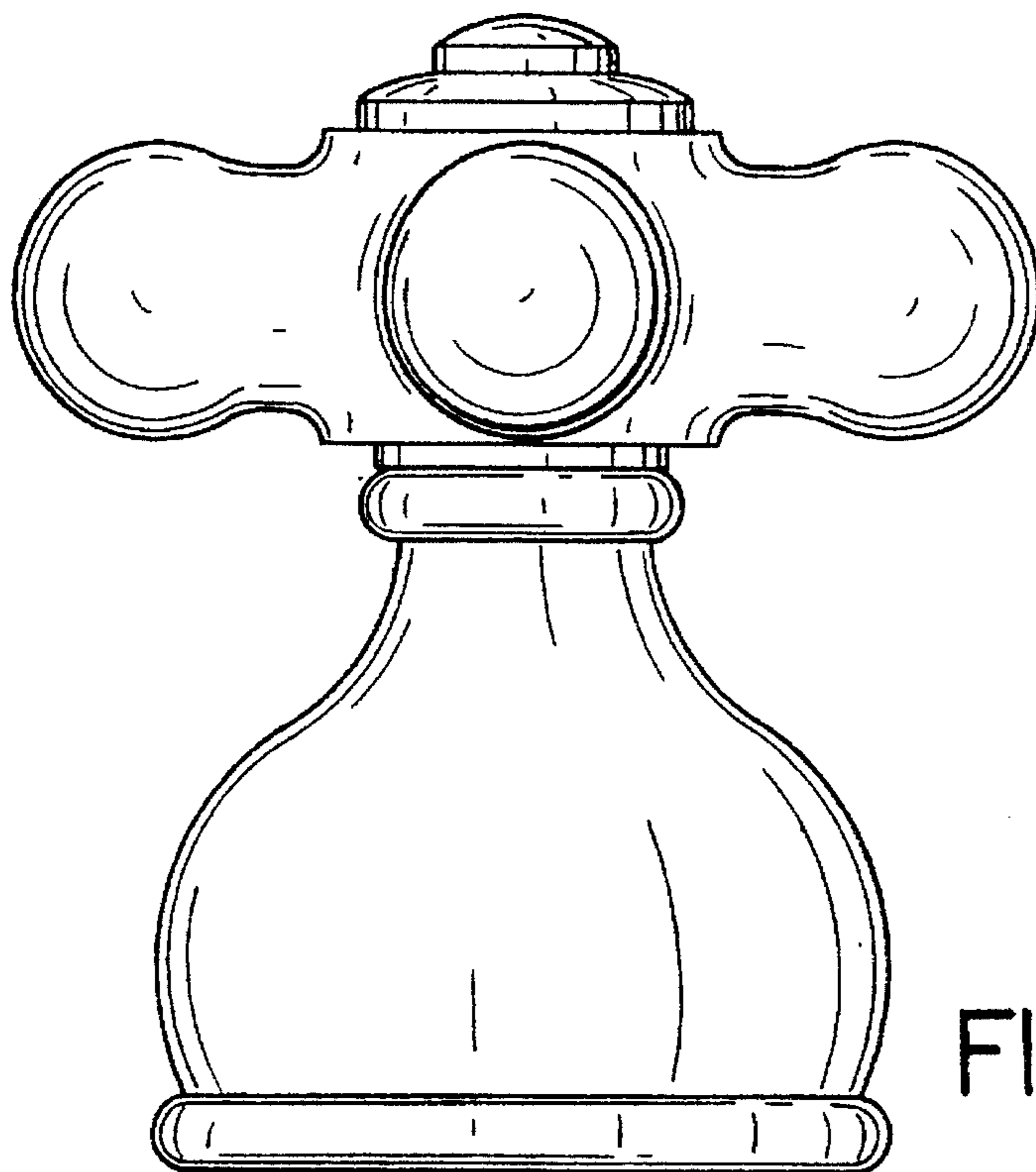


FIG. 9

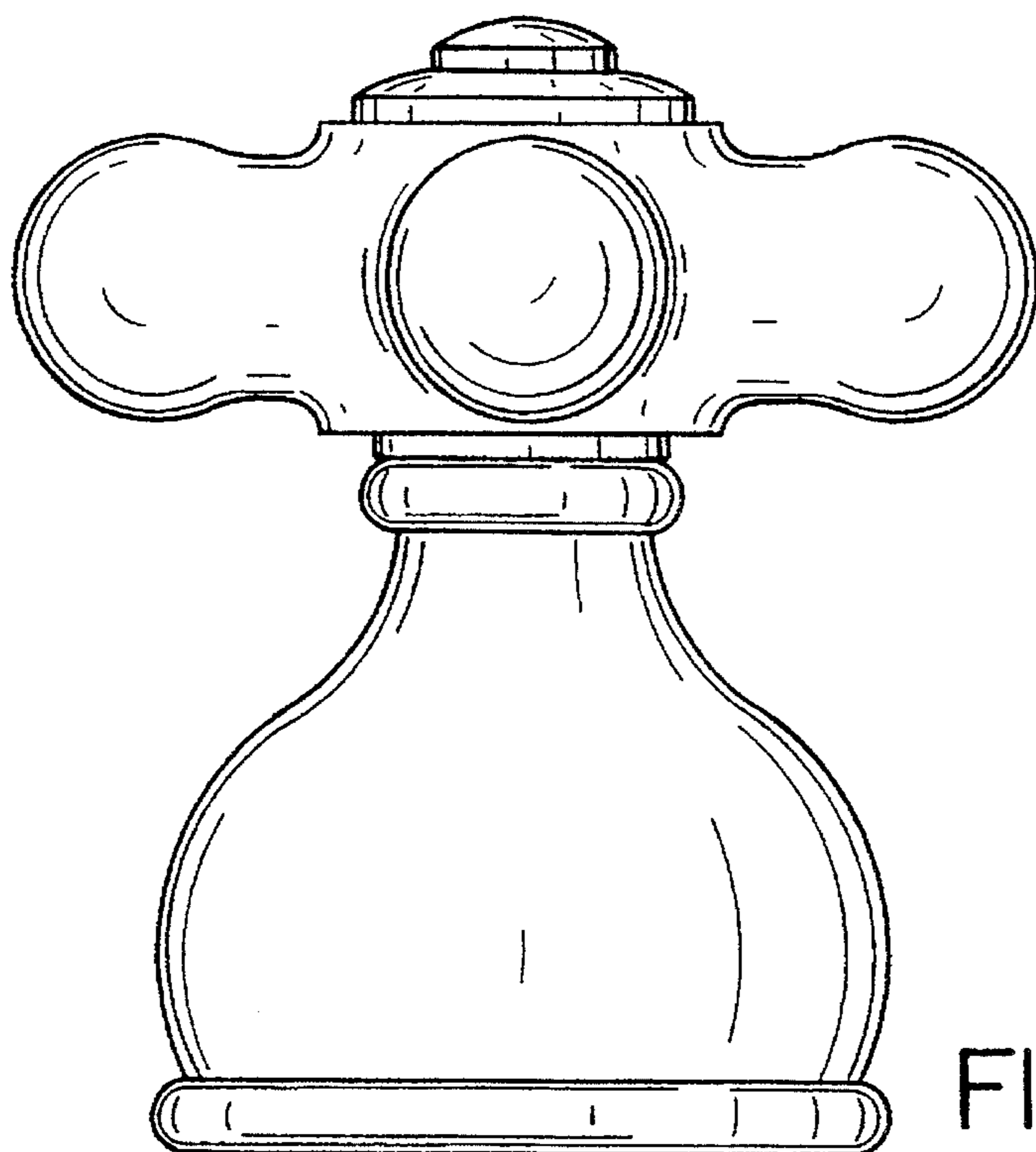


FIG. 10

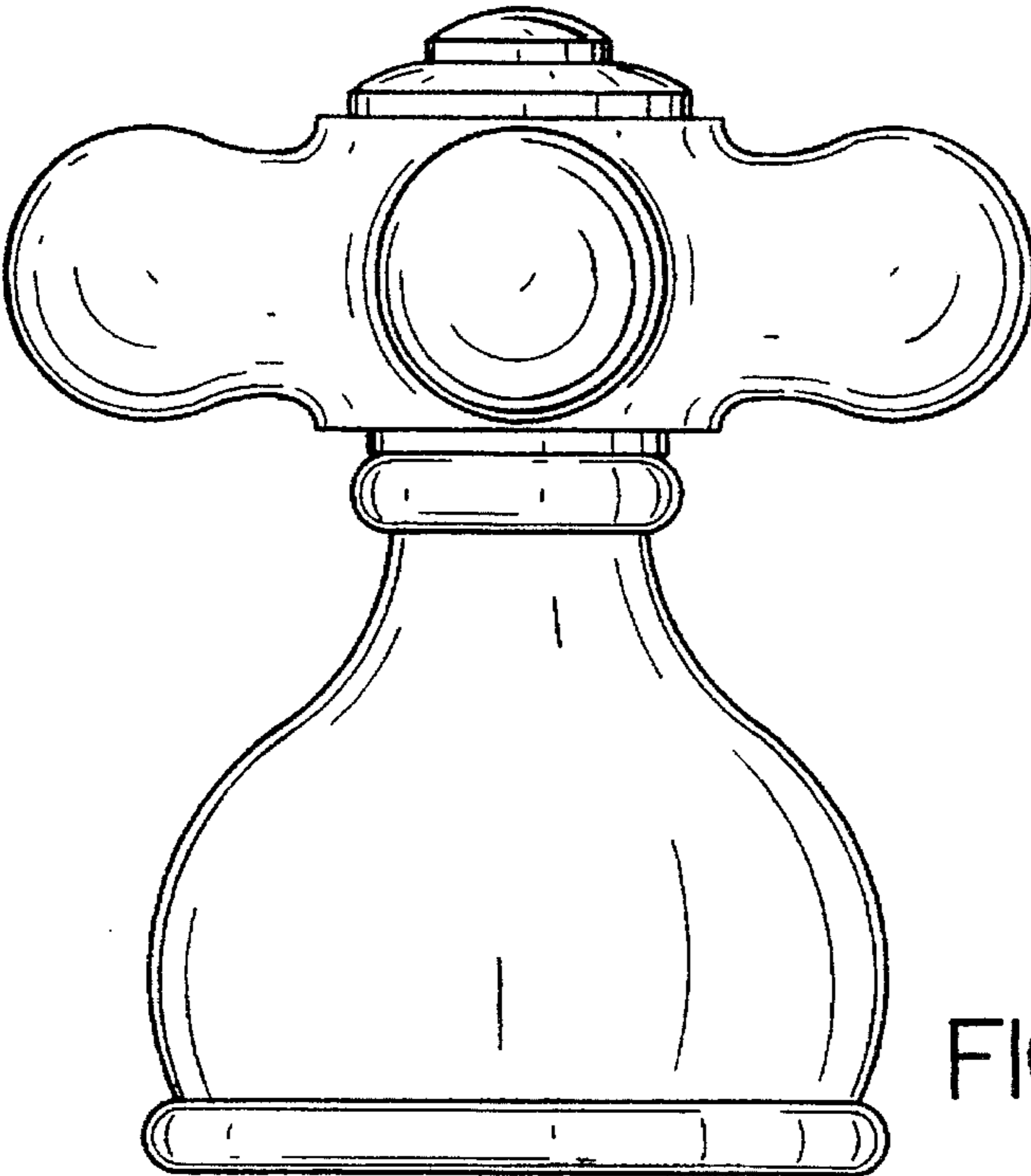


FIG. 11

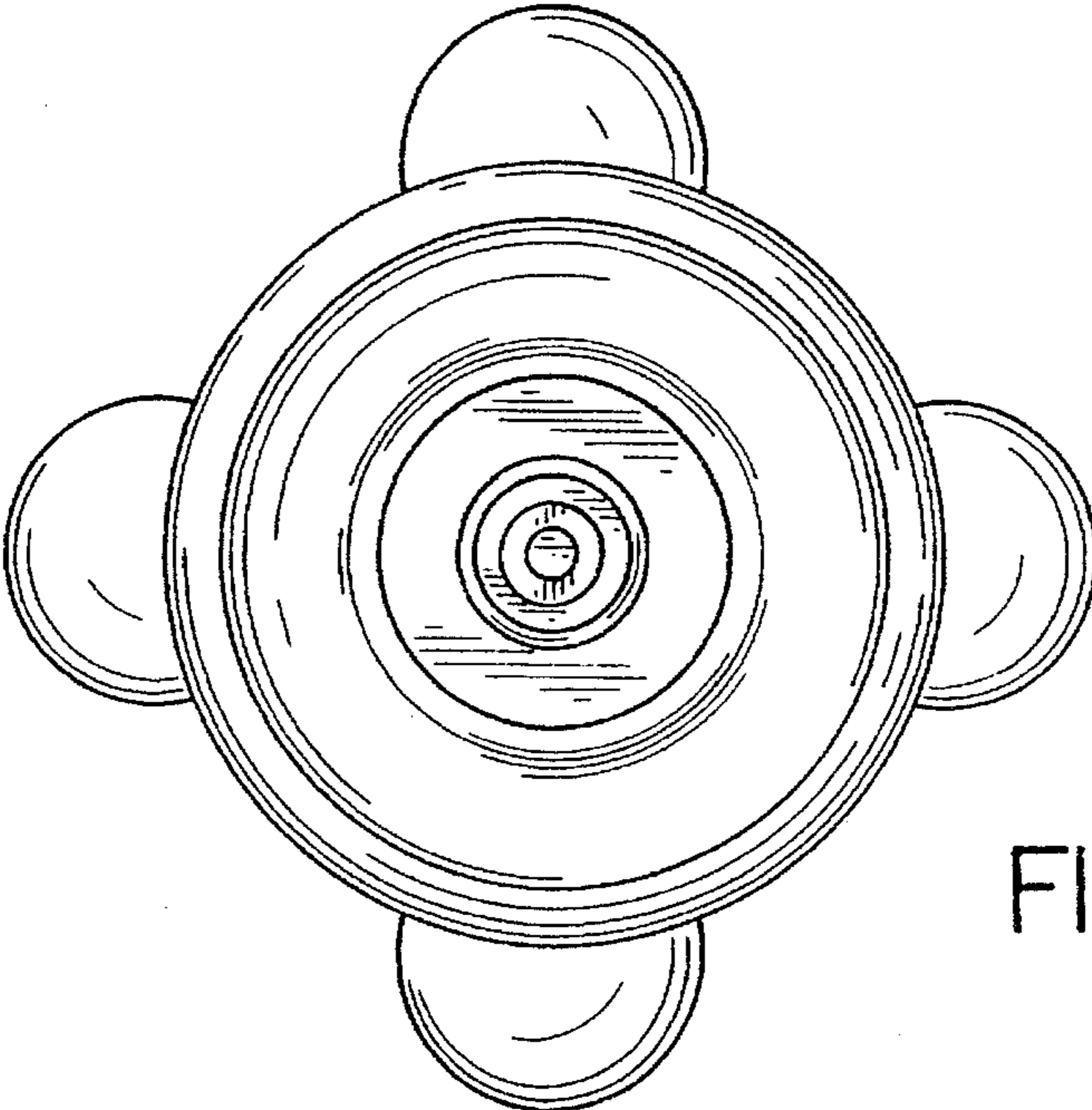


FIG. 12