



US00D372296S

**United States Patent** [19]  
**Canther**

[11] **Patent Number: Des. 372,296**

[45] **Date of Patent: \*\*Jul. 30, 1996**

[54] **PIGMENTED COVER AND LID FOR SWIMMING POOL EQUIPMENT**

5,427,417 6/1995 Lechuga ..... 210/460

[76] Inventor: **David M. Canther**, 2051 E. Imperial Cir., Naples, Fla. 33942

*Primary Examiner*—Joel Sincavage  
*Assistant Examiner*—Robin V. Taylor  
*Attorney, Agent, or Firm*—William F. Hamrock

[\*\*] Term: **14 Years**

[57] **CLAIM**

[21] Appl. No.: **41,675**

The ornamental design for a pigmented cover and lid for swimming pool equipment, as shown and described.

[22] Filed: **Jul. 21, 1995**

[52] U.S. Cl. .... **D23/210**

**DESCRIPTION**

[58] **Field of Search** ..... D23/200, 207-210; D9/447; 210/167, 416.1, 416.2, 493.4, 497.1

FIG. 1 is a front left perspective view of a pigmented cover and lid for swimming pool equipment showing my new design;

[56] **References Cited**

**U.S. PATENT DOCUMENTS**

|            |         |                   |           |
|------------|---------|-------------------|-----------|
| D. 216,691 | 3/1970  | Bates et al. .... | D23/207   |
| D. 229,310 | 11/1973 | Welborn ....      | D23/209   |
| D. 349,946 | 8/1994  | Harty ....        | D23/209   |
| 4,629,557  | 12/1986 | Tobias ....       | 210/416.2 |
| 5,015,371  | 5/1991  | Webb ....         | 210/459   |

FIG. 2 is a front elevational view thereof;

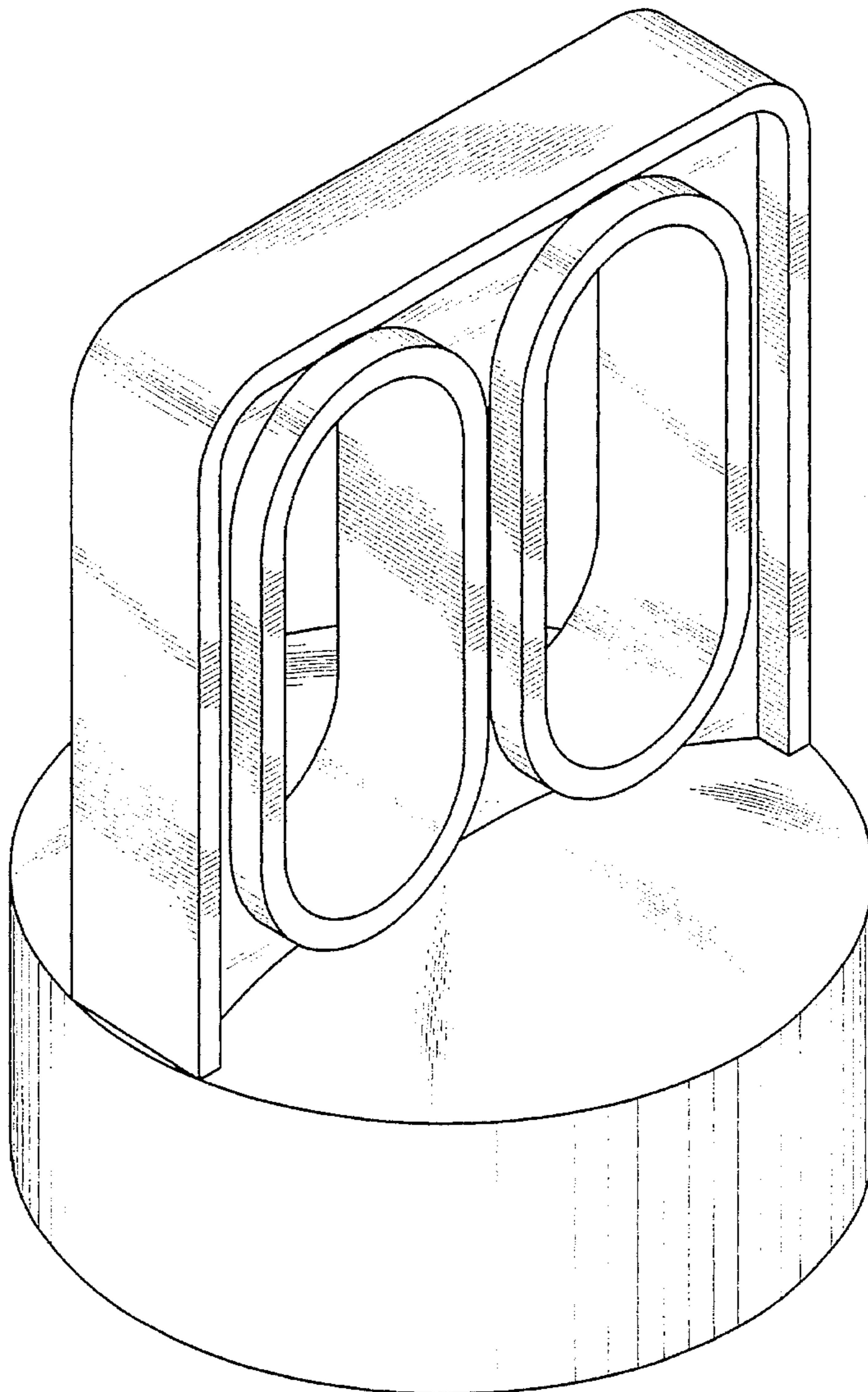
FIG. 3 is a back side elevational view thereof;

FIG. 4 is a left side elevational view thereof;

FIG. 5 is a right side elevational view thereof; and,

FIG. 6 is a top plan view thereof.

**1 Claim, 4 Drawing Sheets**



*FIG. 1*

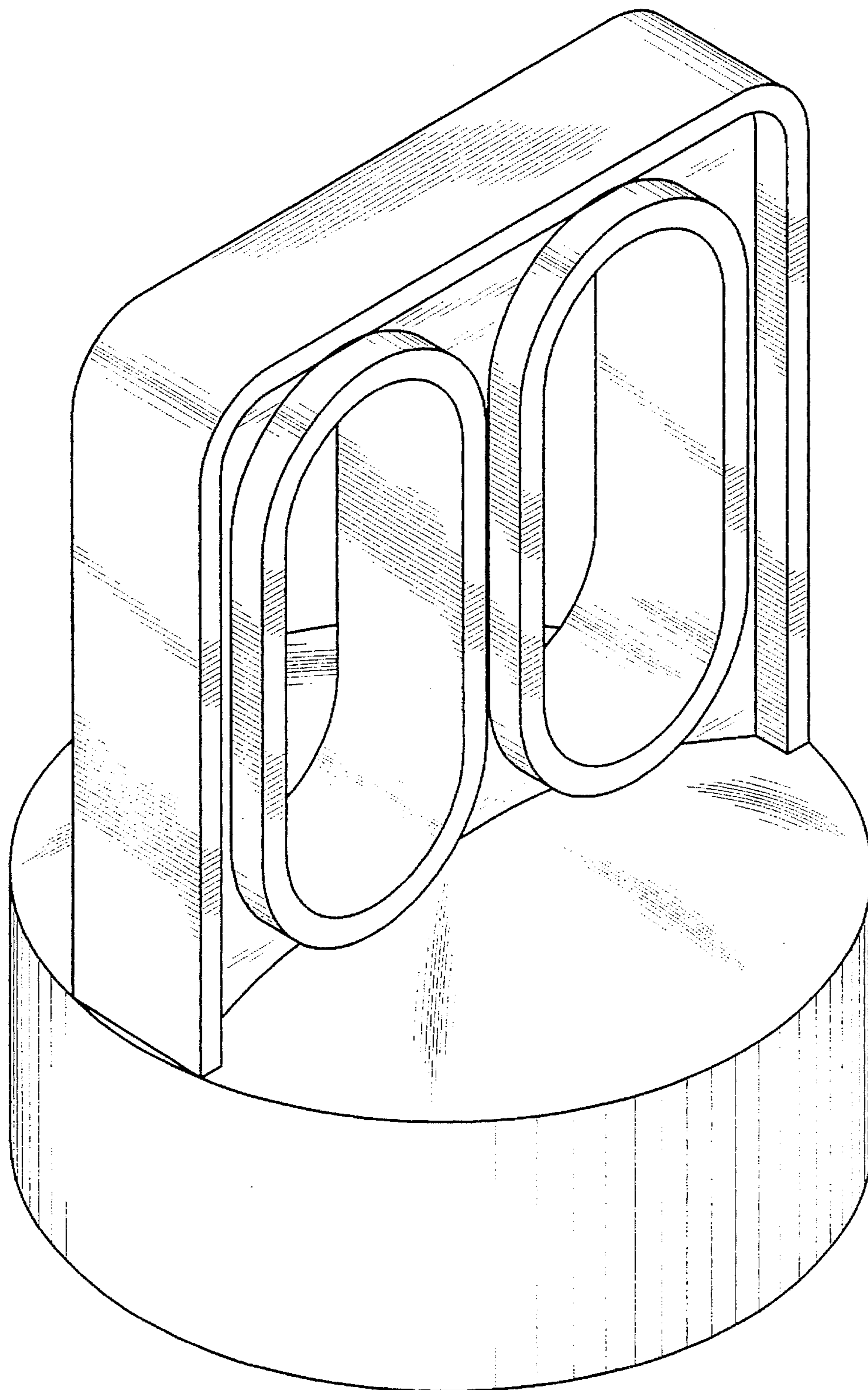


FIG. 2

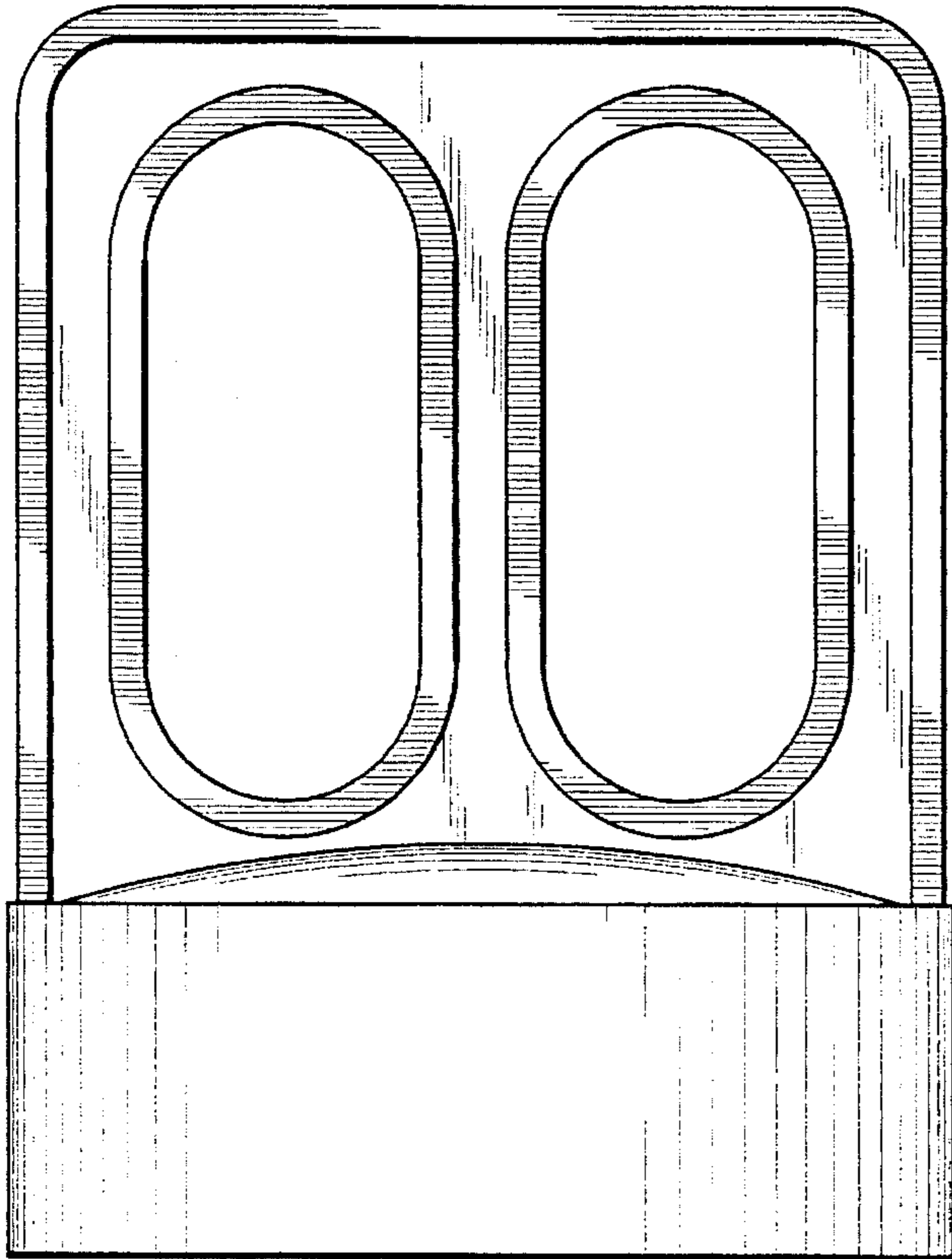
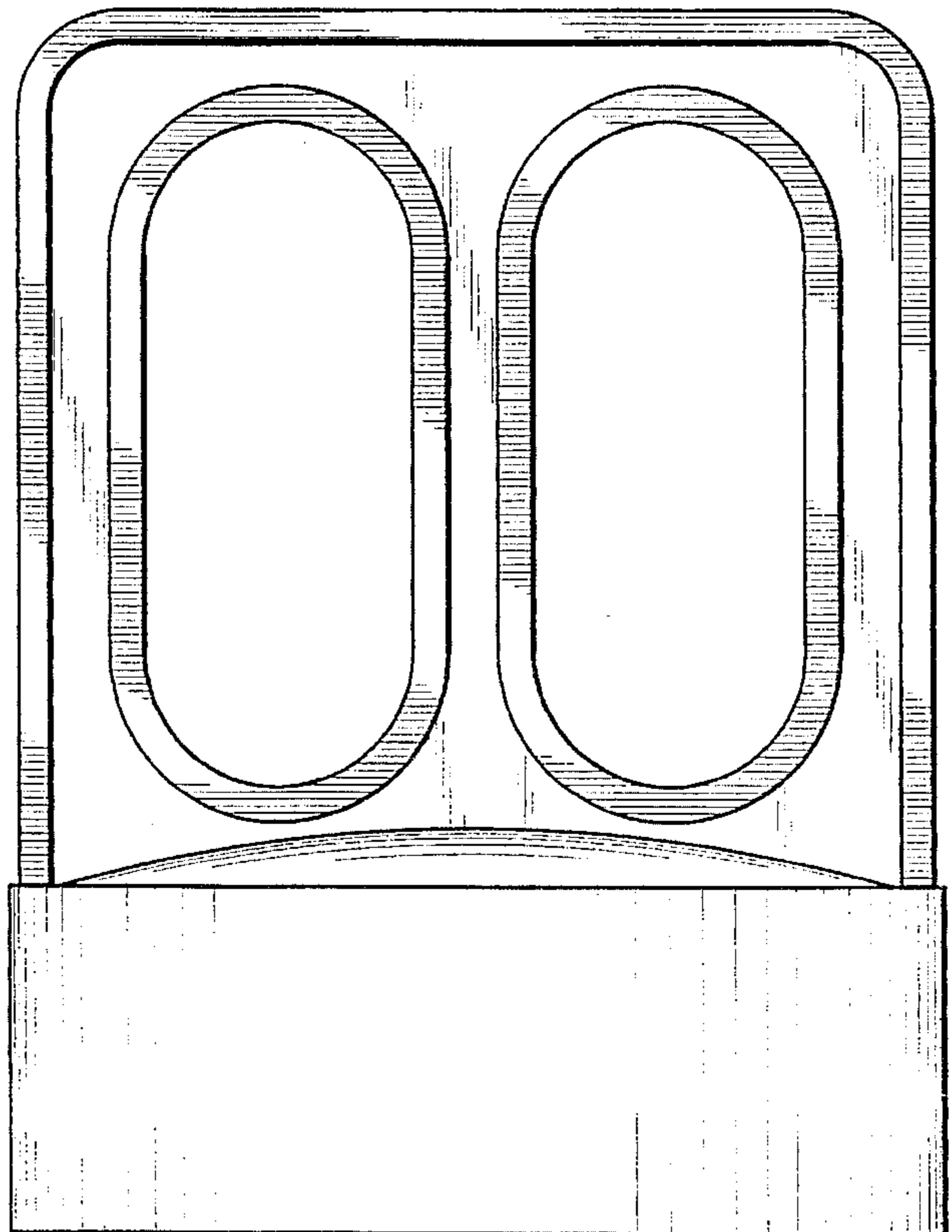
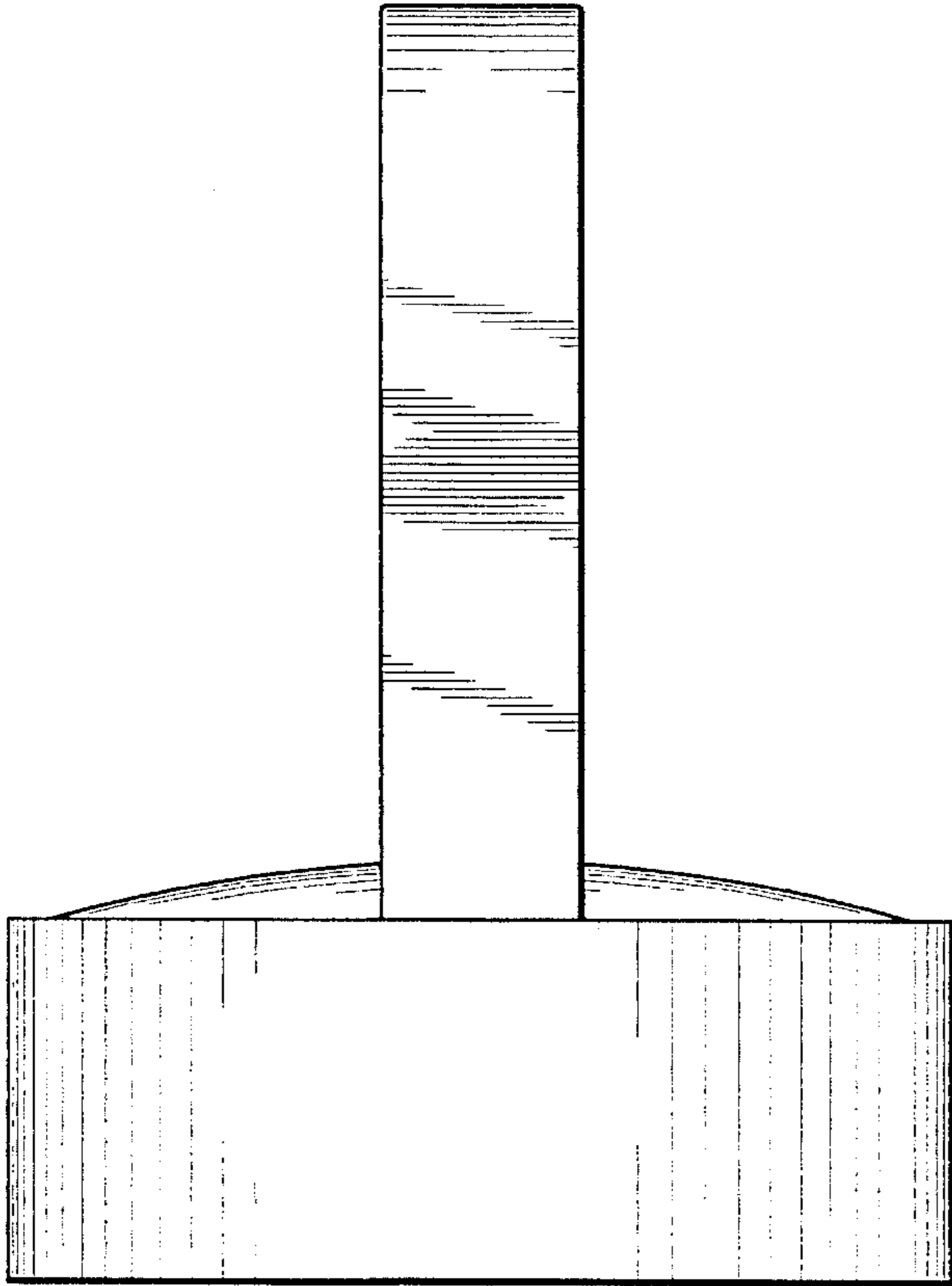


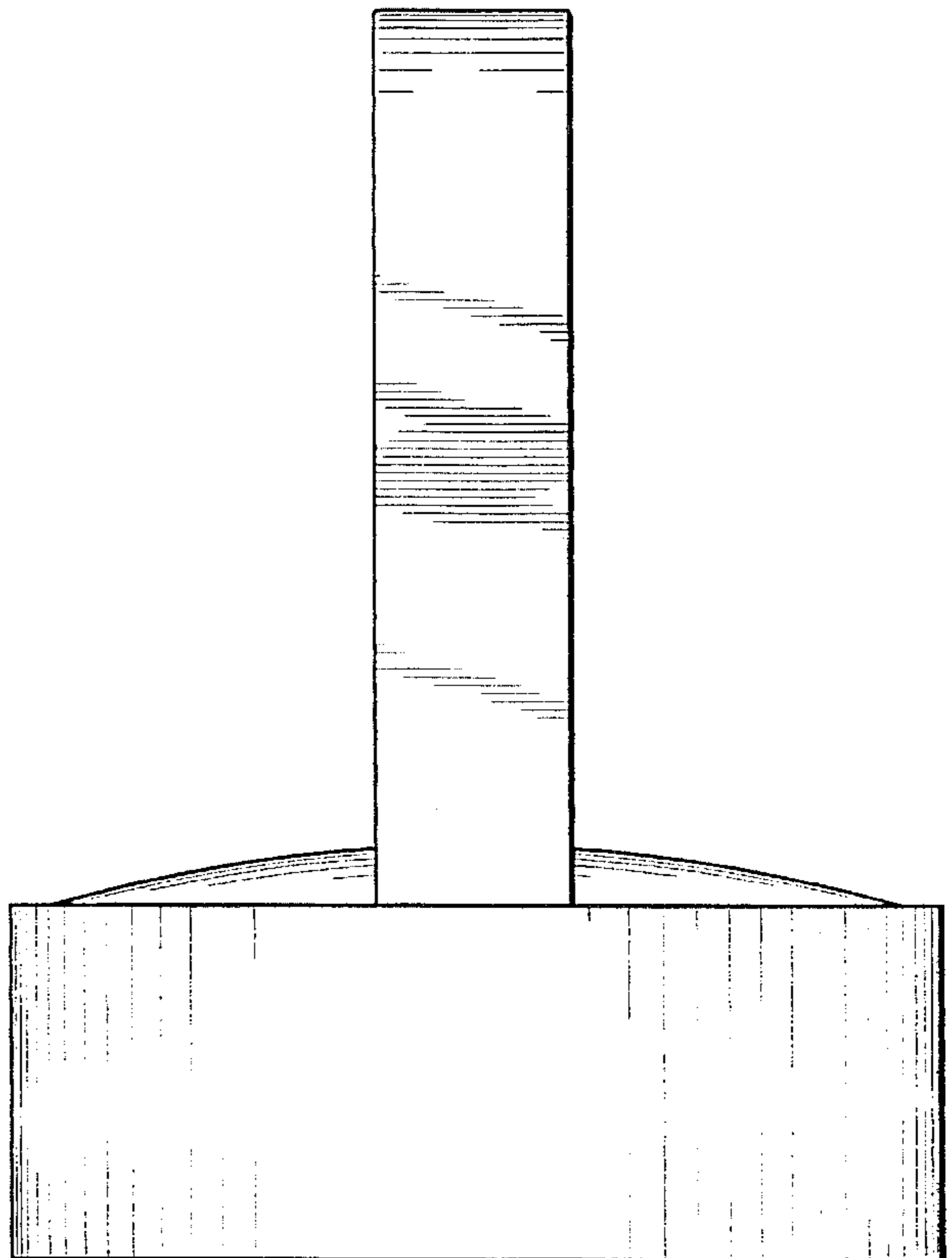
FIG. 3



*FIG. 4*



*FIG. 5*





*FIG. 6*

