



US00D372295S

United States Patent [19]
Weber

[11] **Patent Number:** **Des. 372,295**
[45] **Date of Patent:** ****Jul. 30, 1996**

[54] **WATER FILTRATION UNIT**

[76] Inventor: **Robert Weber**, P.O. Box 266 119
Reiling Rd., Breckenridge, Colo. 80424

[**] Term: **14 Years**

[21] Appl. No.: **41,767**

[22] Filed: **Jul. 24, 1995**

[52] U.S. Cl. **D23/207**

[58] **Field of Search** D23/200, 207-210;
D7/312, 313, 322; 210/167, 416.1, 416.2,
493.4, 497.1, 459, 460

[56] **References Cited**

U.S. PATENT DOCUMENTS

| | | | | |
|------------|--------|-----------|-------|---------|
| D. 170,472 | 9/1953 | Monsarrat | | D23/207 |
| D. 275,309 | 8/1984 | Stanley | | D23/209 |
| 4,826,594 | 5/1989 | Sedman | | 210/282 |

Primary Examiner—A. Hugo Word
Assistant Examiner—Robin V. Taylor
Attorney, Agent, or Firm—Harold H. Dutton, Jr.; William C. L. Jamison; Diane F. Liebman

[57] **CLAIM**

The ornamental design for a water filtration unit, as shown and described.

DESCRIPTION

FIG. 1 is a front perspective view of a water filtration unit showing my new design, the rear view being a mirror image; FIG. 2 is a left side view thereof; FIG. 3 is a right side view thereof; FIG. 4 is a top view thereof; and, FIG. 5 is a bottom view thereof.

1 Claim, 3 Drawing Sheets

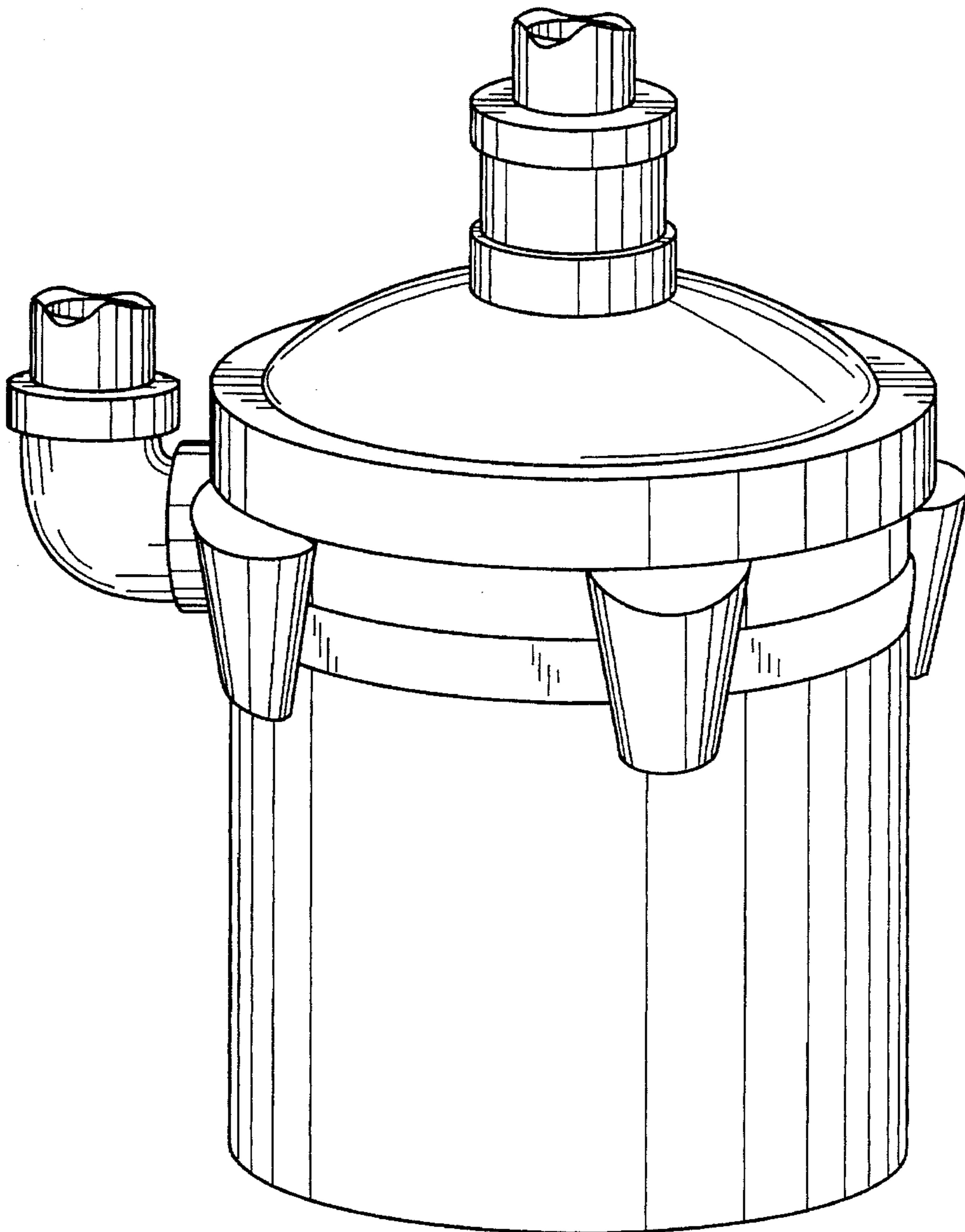
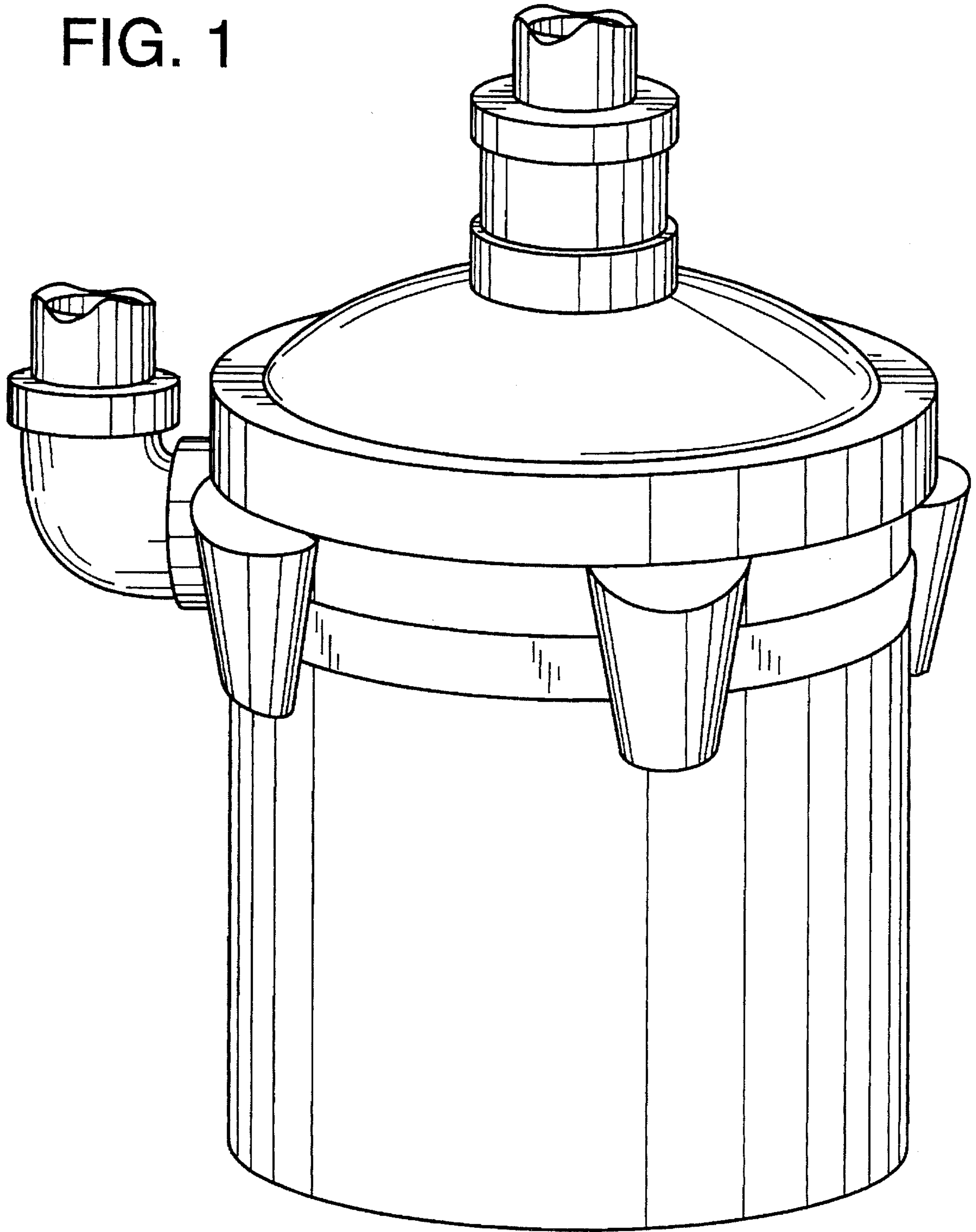


FIG. 1



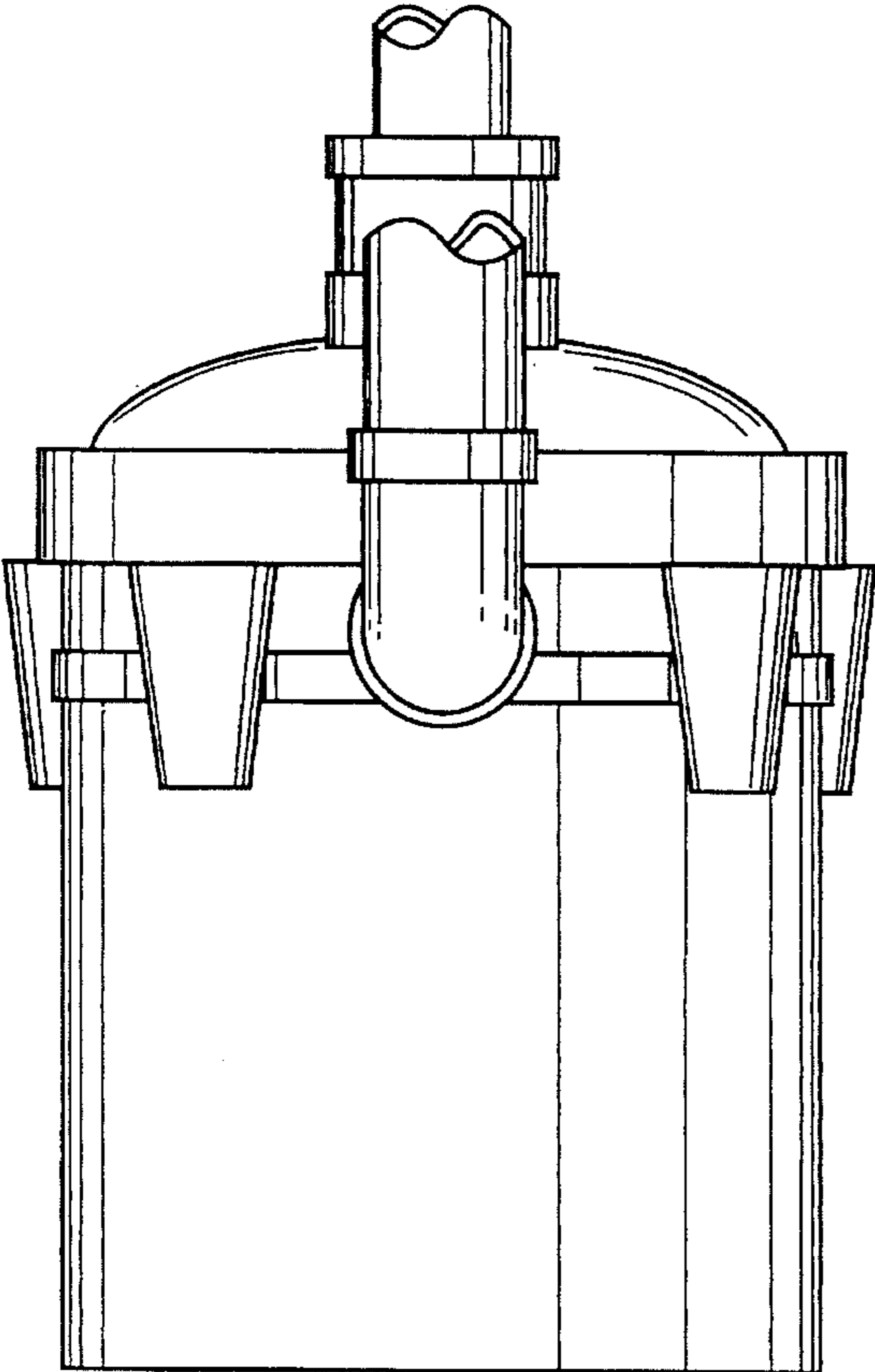
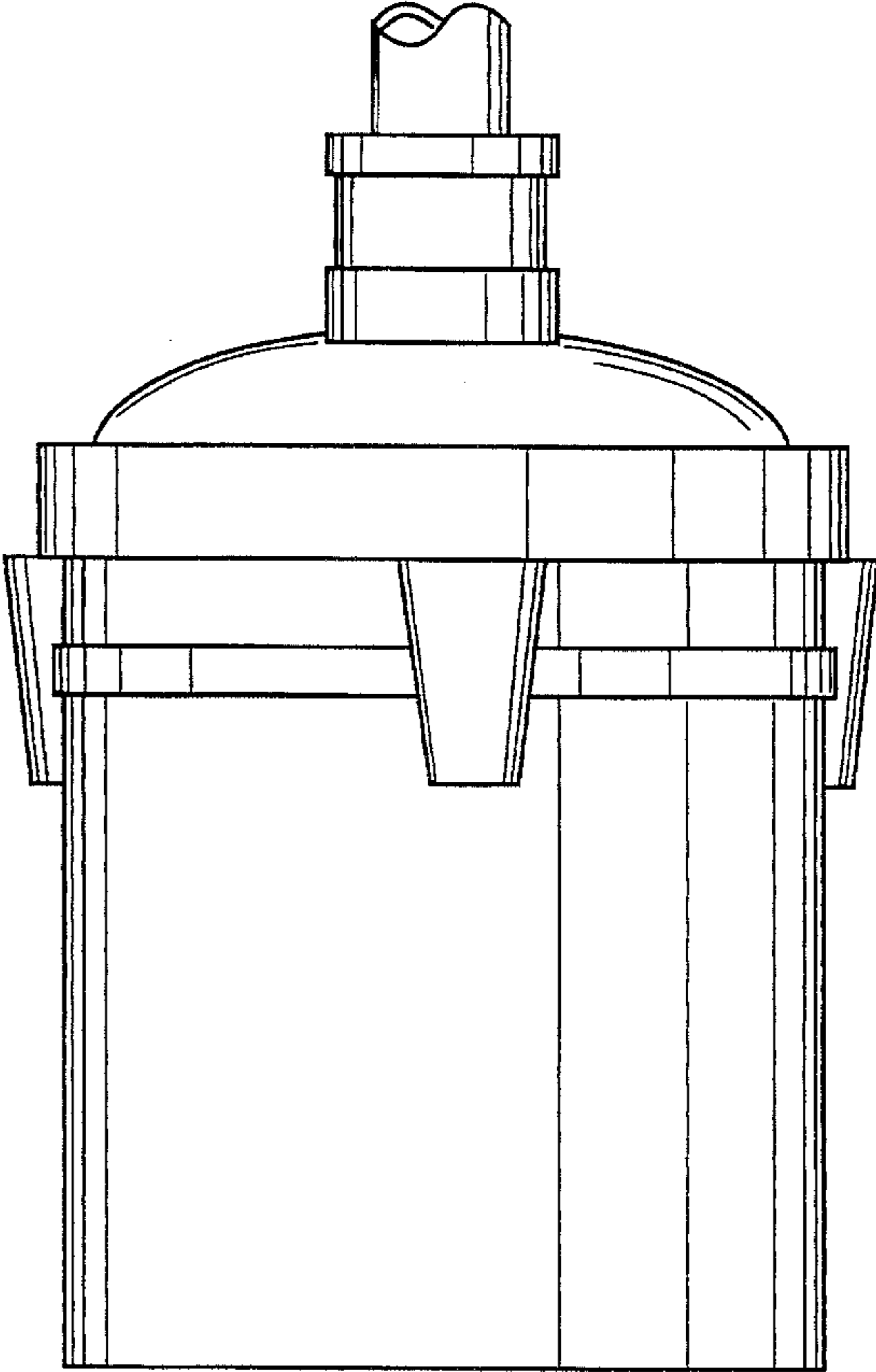


FIG. 3

FIG. 2



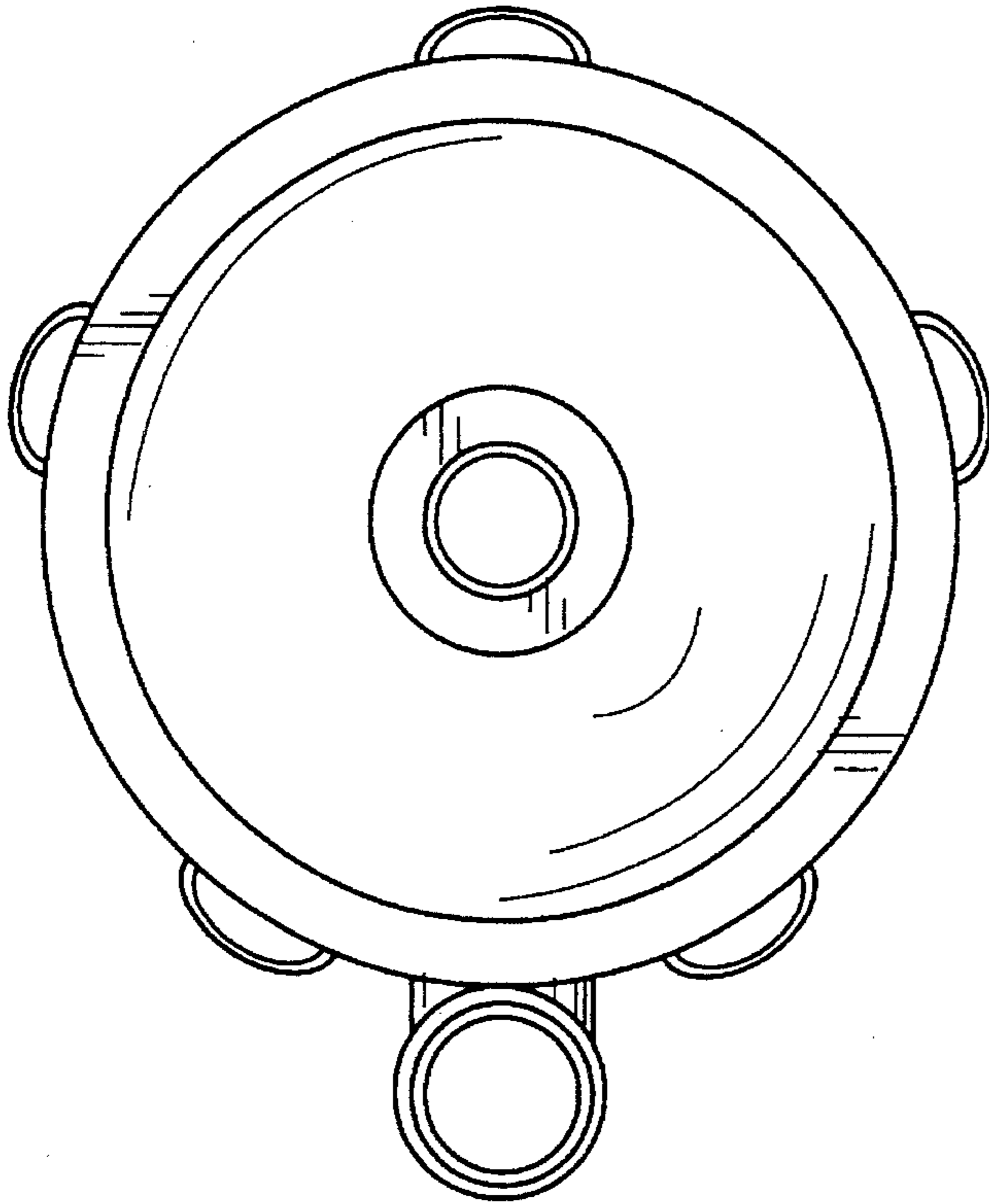


FIG. 4

FIG. 5

