



US00D372290S

United States Patent [19]

Bookstaver et al.

[11] Patent Number: **Des. 372,290**

[45] Date of Patent: ****Jul. 30, 1996**

[54] **SANDBOX COVER**

[75] Inventors: **Charles W. Bookstaver**, Olney, Ill.;
Frank Mercurio, Wallingford, Conn.

[73] Assignee: **Roadmaster Corporation**, Olney, Ill.

[**] Term: **14 Years**

[21] Appl. No.: **31,735**

[22] Filed: **Dec. 5, 1994**

[52] U.S. Cl. **D21/252**; D21/244

[58] Field of Search D21/252; 446/70;
472/116, 117, 126, 128

1991 Sears Spring/Summer Catalog, p. 1392 Items 5 and 6.
1992 Sears Annual Catalog, p. 962 Item C.
1993 Little Tikes Product Catalog, pp. 63, 96, 98, and 2
additional pages (page numbers unclear).
Nov. 29, 1993 Swing-N-Slide 1994 Consumer Buying
Guide, p. 24 Sandbox.
Step 2 Product Catalog, undated, p. 20.

Primary Examiner—Terry A. Wallace
Assistant Examiner—Mitchell I. Siegel
Attorney, Agent, or Firm—Willian Brinks Hofer Gilson &
Lione

[57] **CLAIM**

The ornamental design for a sandbox cover, as shown and
described.

[56] **References Cited**

U.S. PATENT DOCUMENTS

D. 280,436	9/1985	Mariol	D21/252
D. 308,088	5/1990	Mariol	D21/252
D. 311,432	10/1990	Cattoni	D21/252
D. 313,058	12/1990	Wehmeyer	D21/252
D. 334,789	4/1993	Fish, Jr.	D21/252
D. 346,421	4/1994	Martin et al.	D21/252
4,515,360	5/1985	Mariol	272/1

OTHER PUBLICATIONS

1971 Sears Wish Book Catalog, p. 135 Shaded Steel Sand-
box.

1989 Fisher-Price Toyfair Catalog, p. 62.

DESCRIPTION

FIG. 1 is a perspective view of a sandbox cover showing our
new design;
FIG. 2 is a right side elevational view thereof;
FIG. 3 is a left side elevational view thereof;
FIG. 4 is a top view thereof;
FIG. 5 is a front elevational view thereof;
FIG. 6 is a rear elevational view thereof; and,
FIG. 7 is a bottom view thereof.

1 Claim, 3 Drawing Sheets

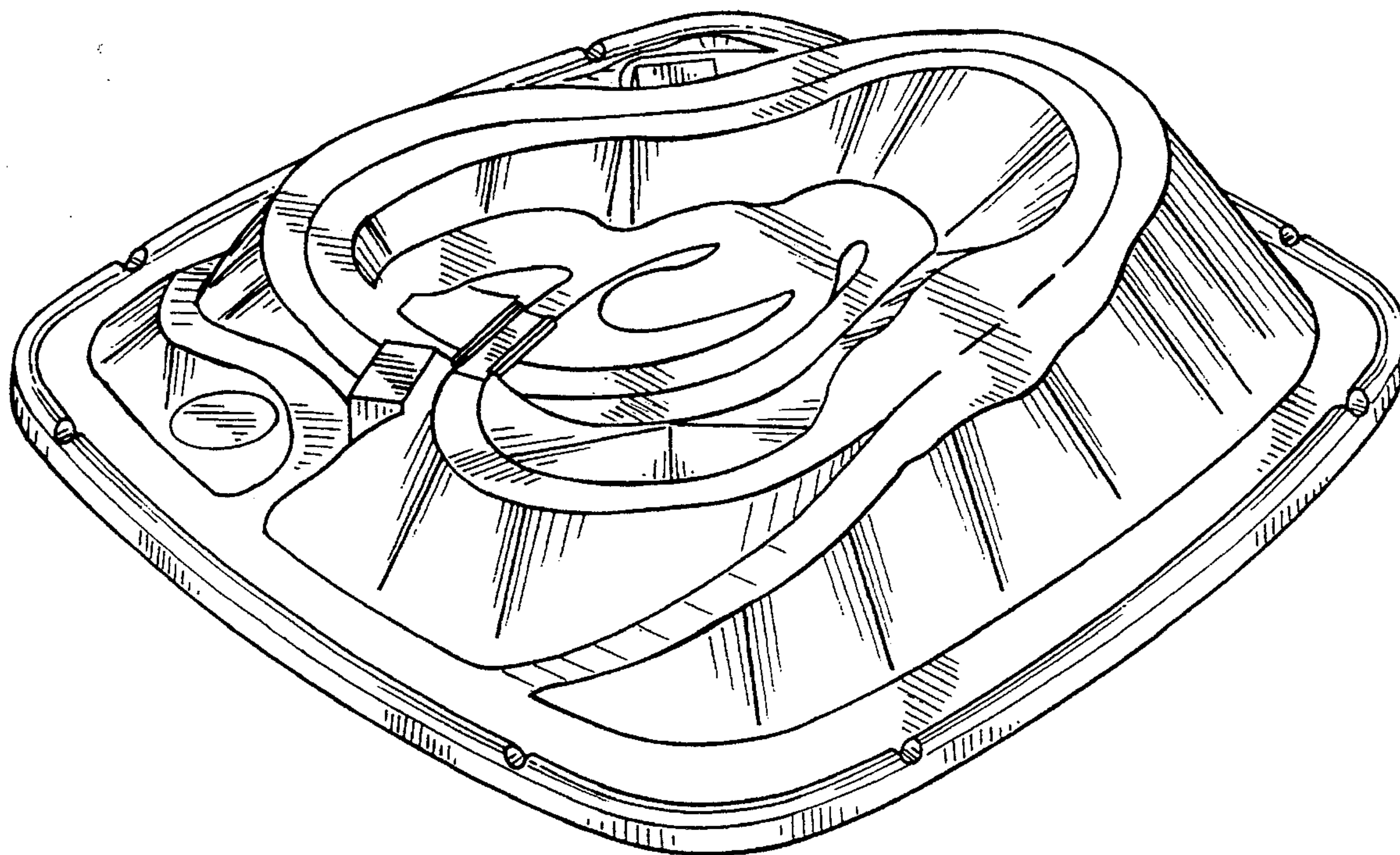


FIG. 1

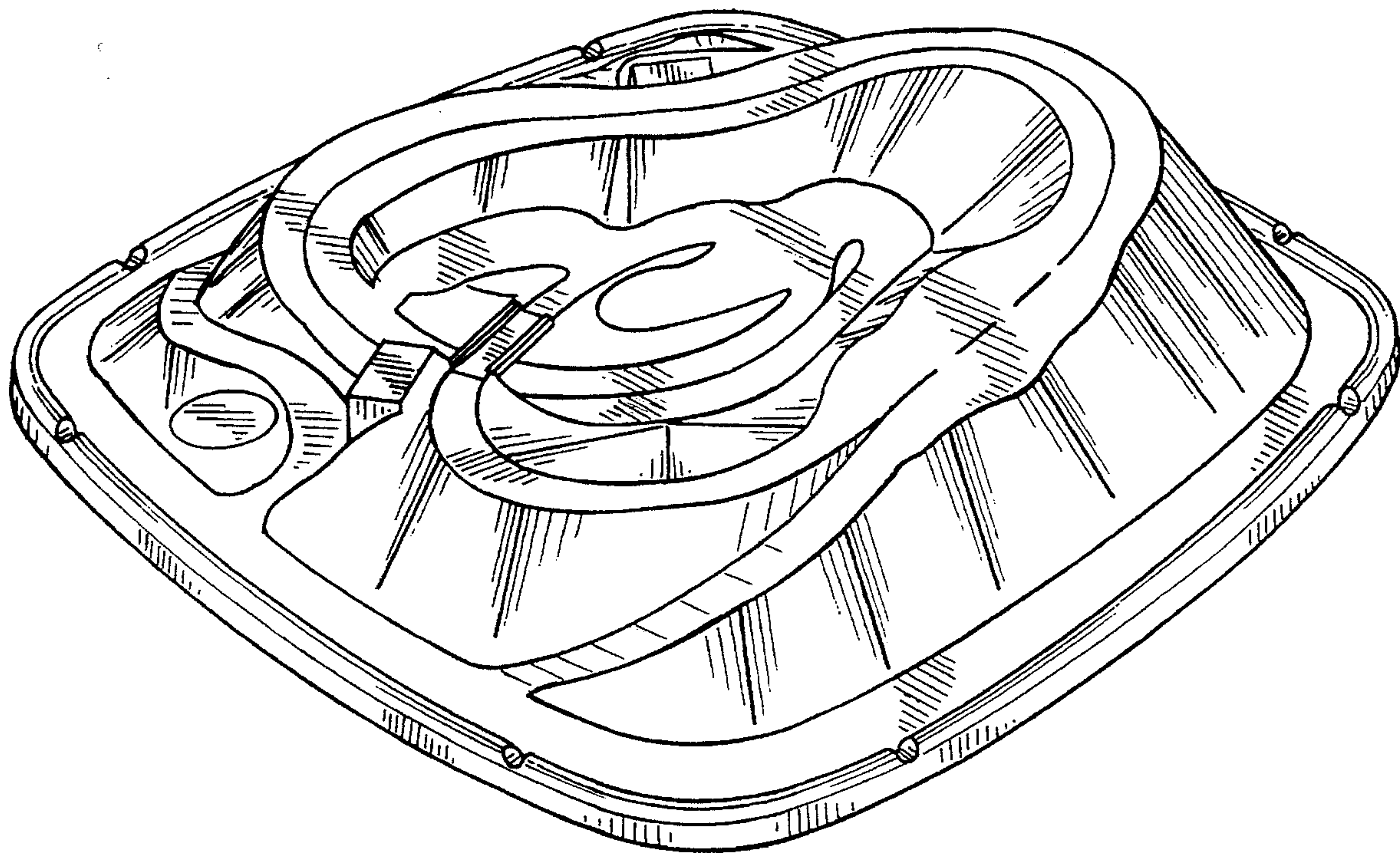


FIG. 2

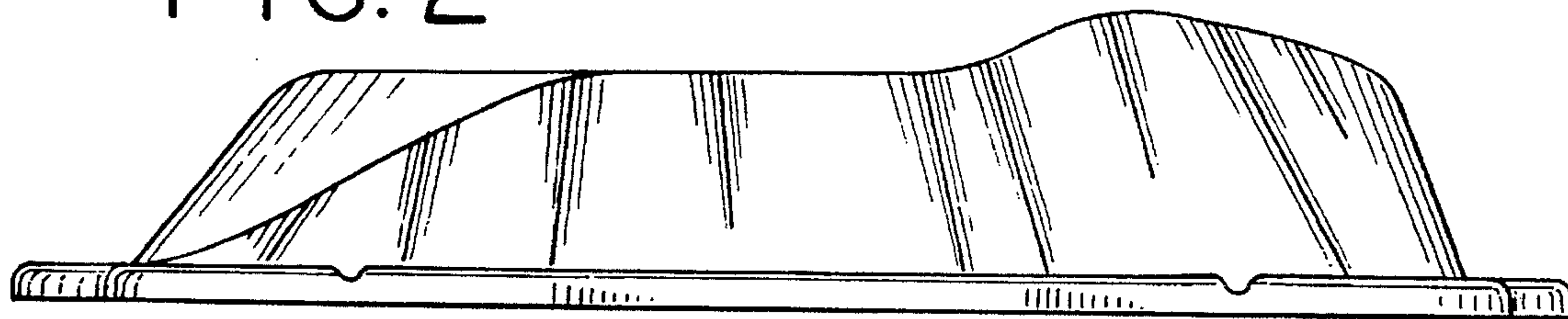


FIG. 3

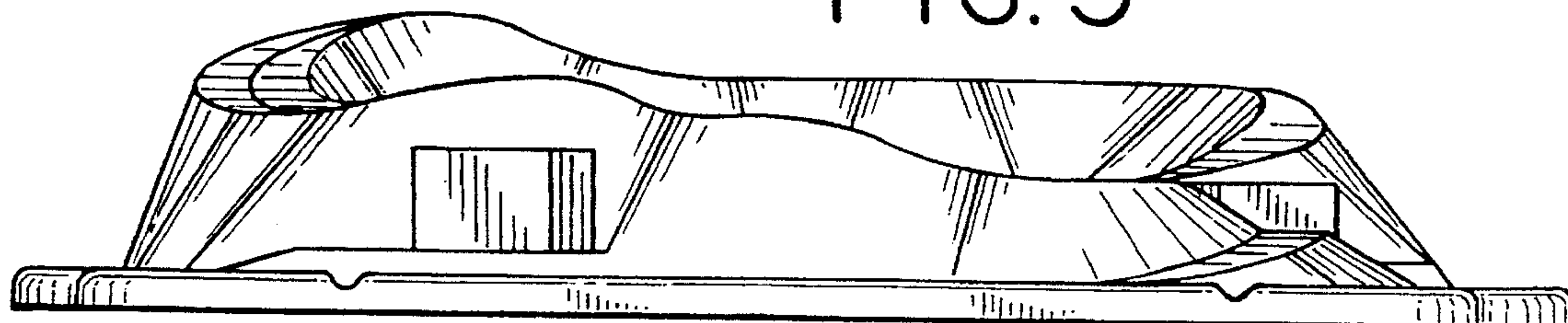


FIG. 4

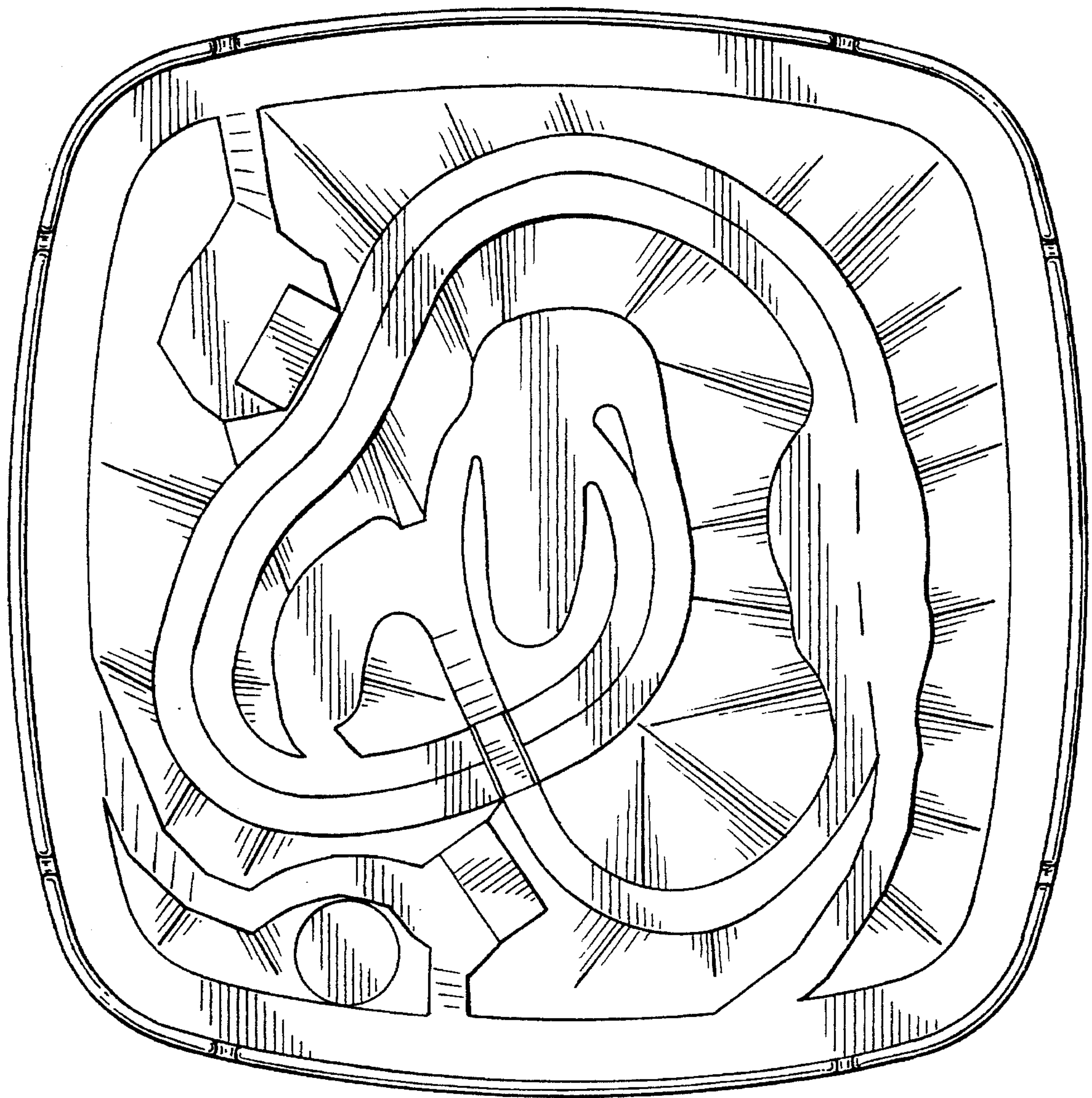


FIG. 5

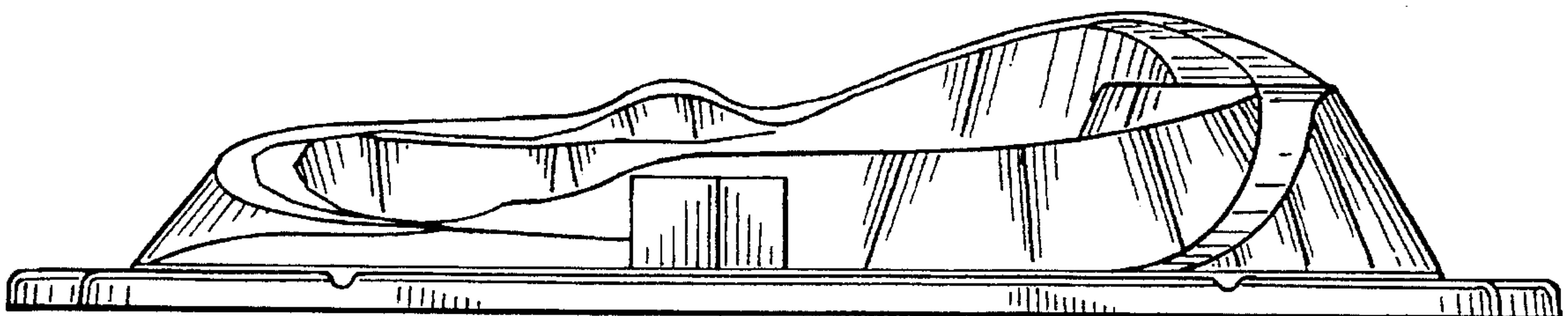


FIG. 7

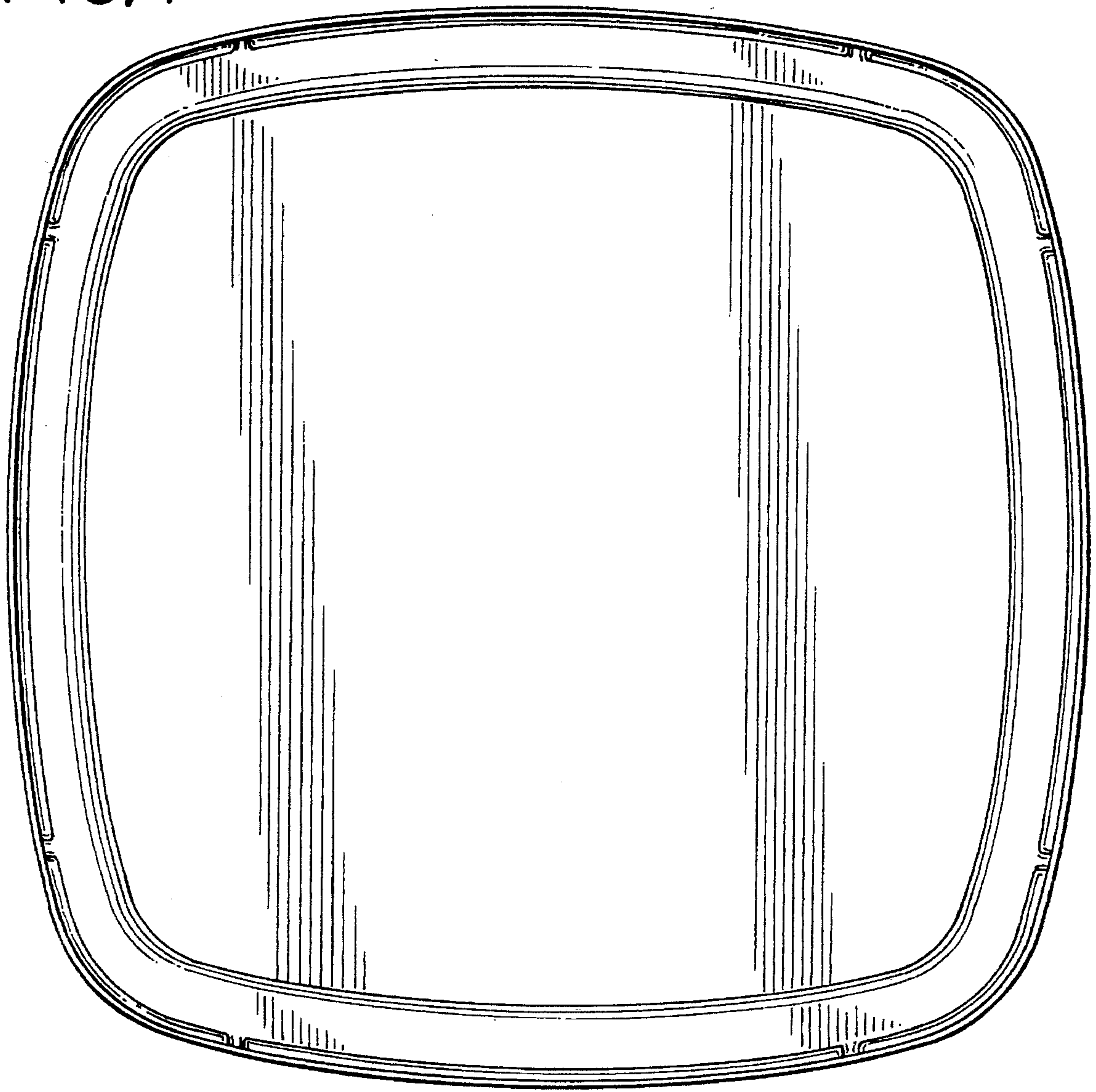


FIG. 6

