



US00D372288S

United States Patent [19]

[11] Patent Number: **Des. 372,288**

Deics

[45] Date of Patent: ****Jul. 30, 1996**

[54] **GOLF TRAINING AID**

4,784,393 11/1988 Williams et al. 273/187 R

[76] Inventor: **Robert Deics**, 404 8th Ave. NE. #5,
Aberdeen, S. Dak. 57401

Primary Examiner—Terry A. Wallace
Assistant Examiner—Cheri Cohen
Attorney, Agent, or Firm—Harpman & Harpman

[**] Term: **14 Years**

[57] **CLAIM**

[21] Appl. No.: **34,269**

The ornamental design for a golf training aid, as shown and described.

[22] Filed: **Jan. 31, 1995**

[52] U.S. Cl. **D21/234**

[58] Field of Search D21/234; 273/187 A,
273/187 B, 187 R, 188 A, 188 R, 191 A,
191 R, 187.6, 186.1

DESCRIPTION

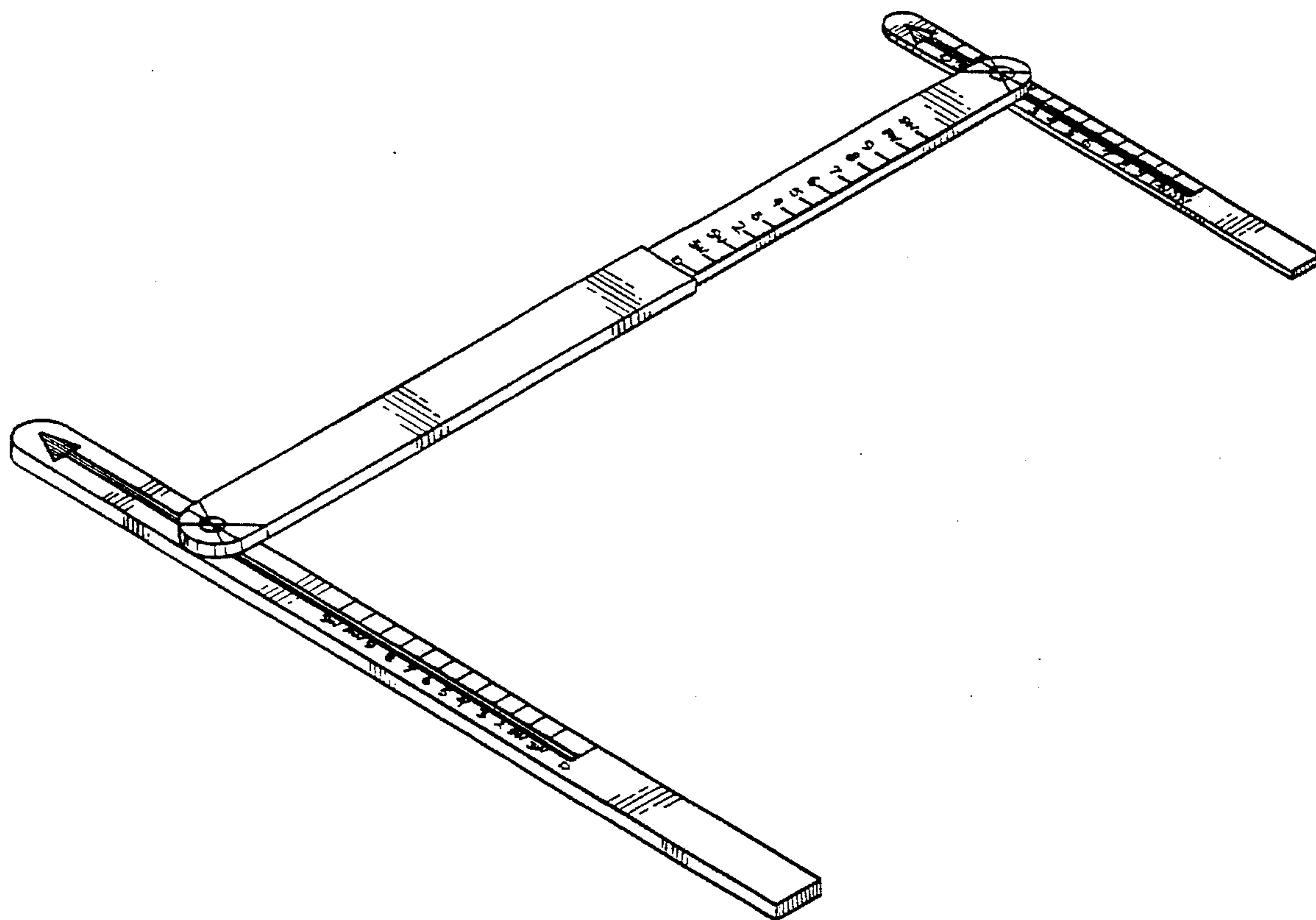
FIG. 1 is a front, top and side perspective view of the golf training aid embodying the design of the present invention; FIG. 2 is a front elevational view thereof; FIG. 3 is a rear elevational view thereof; FIG. 4 is a right side elevational view thereof; FIG. 5 is a left side elevational view thereof; FIG. 6 is a top plan view thereof; and, FIG. 7 is a bottom plan view thereof.

[56] References Cited

U.S. PATENT DOCUMENTS

D. 244,791	6/1977	Sullivan, Jr.	D21/234
D. 312,116	11/1990	Spagnola	D21/234
D. 357,298	4/1995	Vines	D21/234
4,384,718	5/1983	Cachola	273/186.1 X

1 Claim, 4 Drawing Sheets



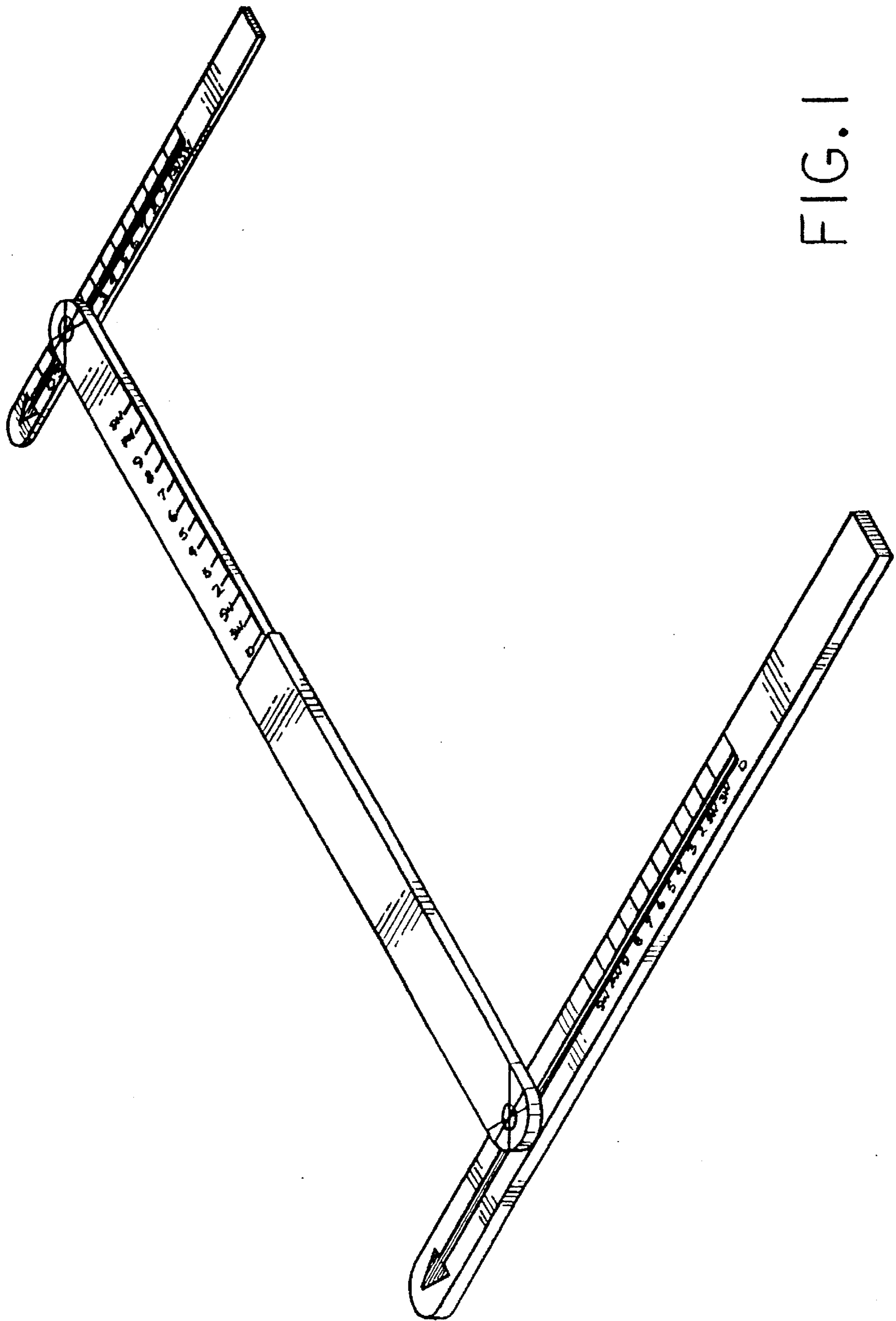


FIG. 1

FIG. 2



FIG. 3



FIG. 4



FIG. 5



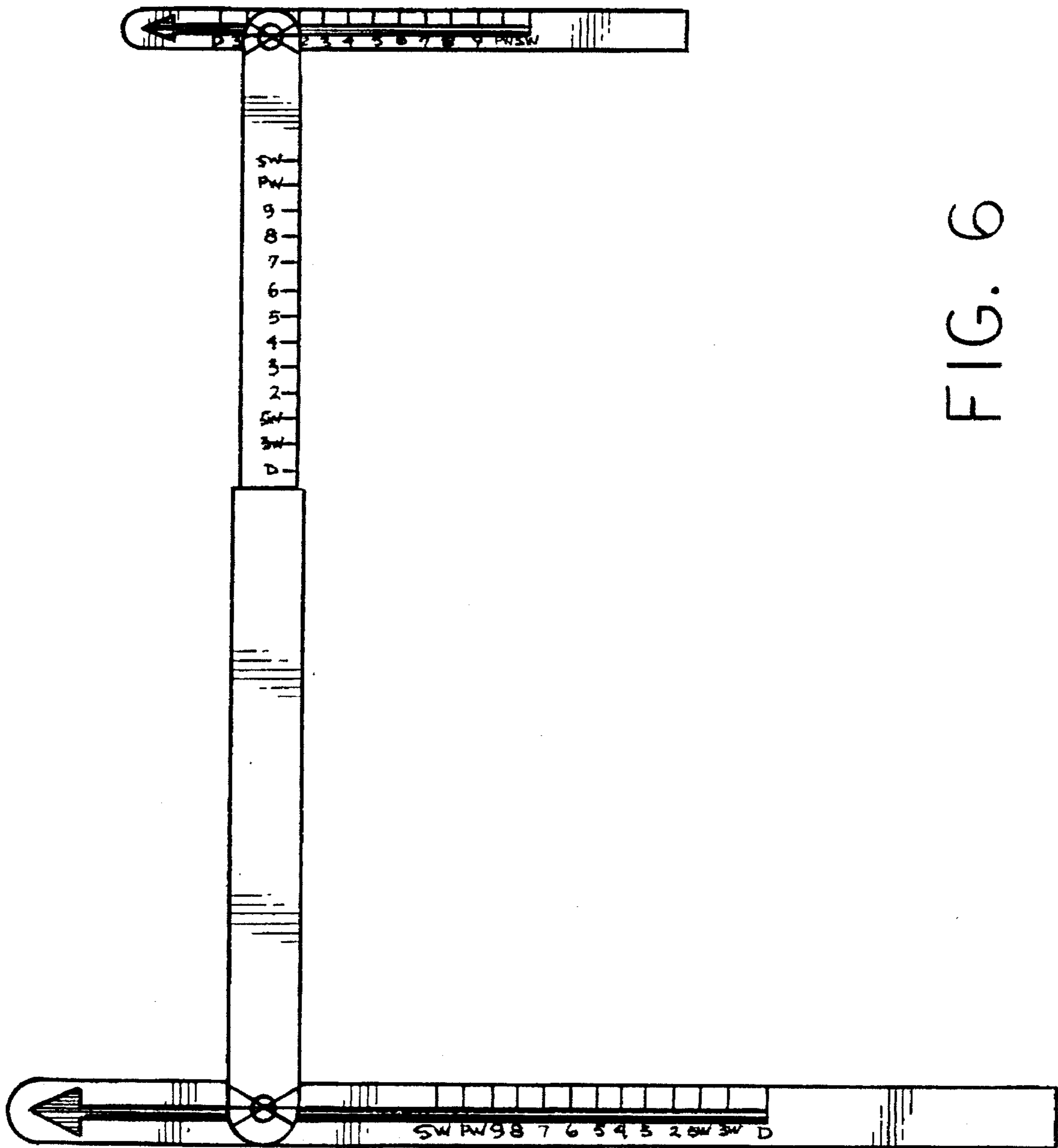


FIG. 6

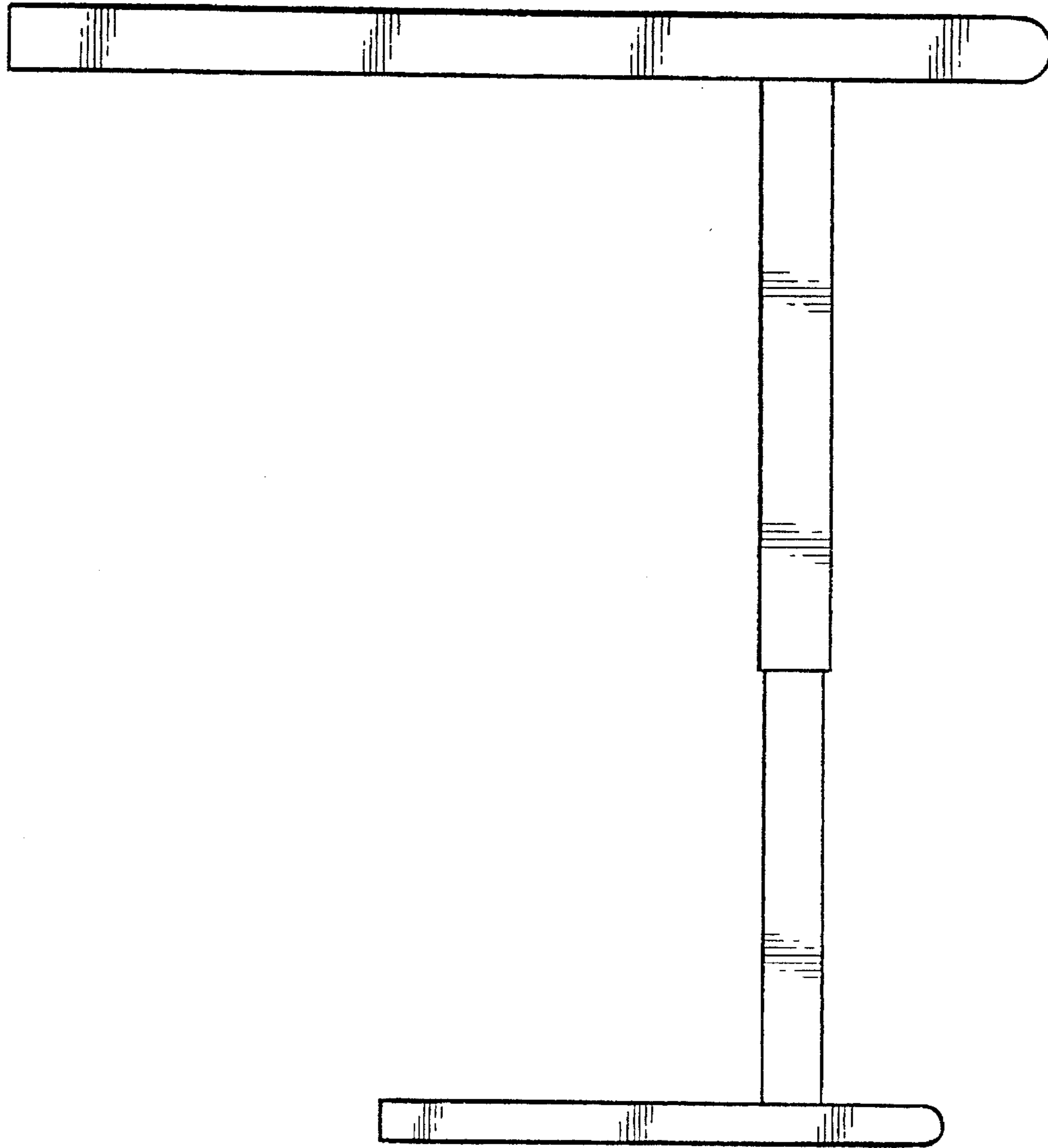


FIG. 7