



US00D372284S

# United States Patent [19]

Wang et al.

[11] Patent Number: **Des. 372,284**

[45] Date of Patent: **\*\*Jul. 30, 1996**

[54] **EXERCISE BIKE**

[75] Inventors: **Leao Wang; Peter Wu**, both of Taichung Hsien, Taiwan

[73] Assignee: **Greenmaster Industrial Corp.**, Taichung Hsien, Taiwan

[\*\*] Term: **14 Years**

[21] Appl. No.: **41,822**

[22] Filed: **Jul. 25, 1995**

[52] U.S. Cl. .... **D21/194**

[58] Field of Search ..... D21/191, 192, D21/193, 194, 195; 482/51, 57, 58, 59, 63, 64, 65

[56] **References Cited**

**U.S. PATENT DOCUMENTS**

D. 280,226	8/1985	Kasuba et al. ....	D21/194
D. 282,190	1/1986	Bell et al. ....	D21/194
D. 285,817	9/1986	Bernsson ....	D21/194
D. 285,953	9/1986	Gustafsson ....	D21/194
D. 296,457	6/1988	Anitua ....	D21/194

D. 299,504	1/1989	Hong et al. ....	D21/194
D. 307,166	4/1990	Wu ....	D21/194
D. 309,335	7/1990	Yang ....	D21/194
D. 323,368	1/1992	Whitesel ....	D21/194
D. 323,863	2/1992	Watterson ....	D21/194
D. 343,659	1/1994	Kiiski ....	D21/194

*Primary Examiner*—Philip S. Hyder  
*Attorney, Agent, or Firm*—Bacon & Thomas

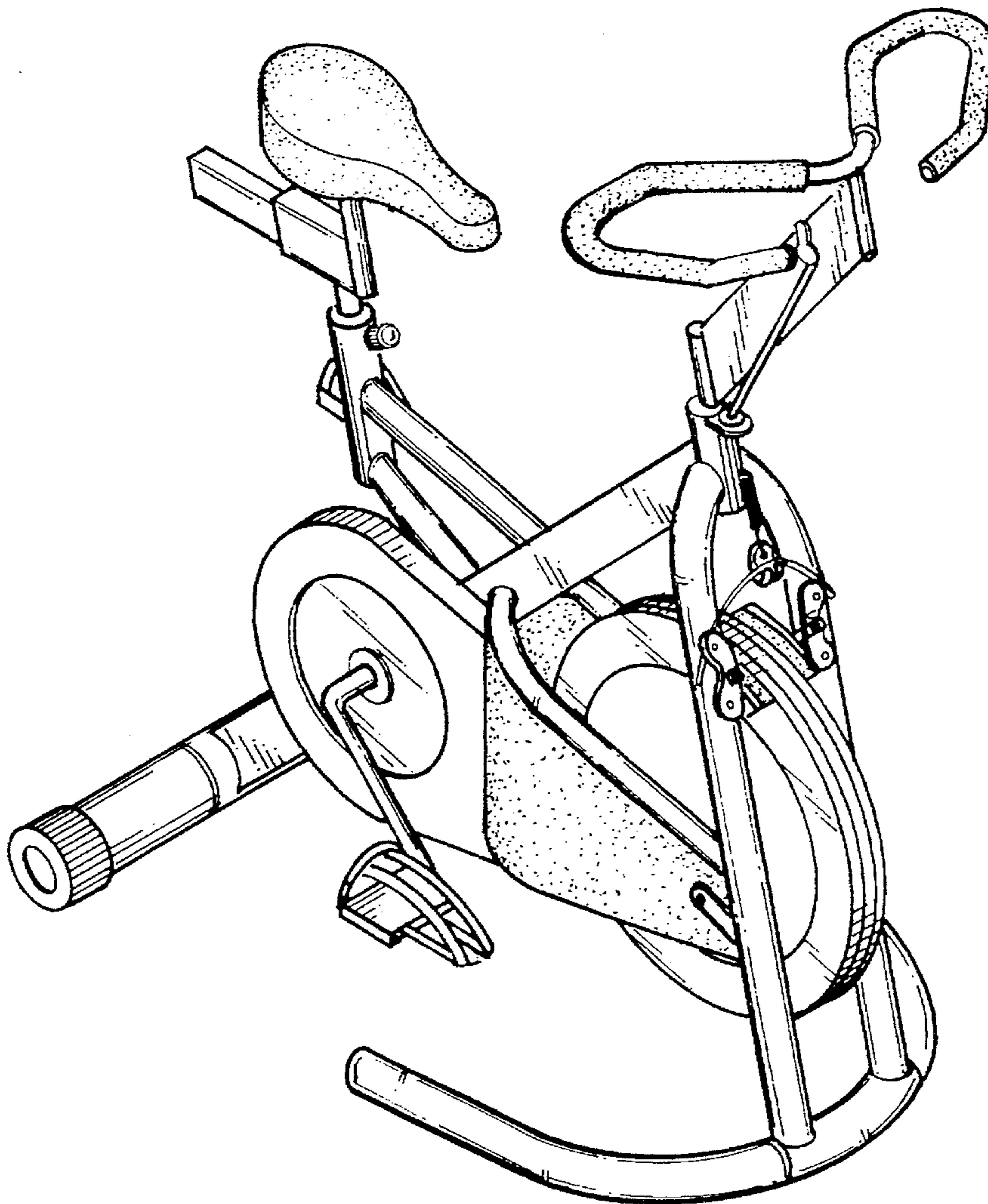
[57] **CLAIM**

The ornamental design for a exercise bike, as shown and described.

**DESCRIPTION**

FIG. 1 is a perspective view of a exercise bike according to my design;  
FIG. 2 is a front elevational view thereof;  
FIG. 3 is a rear elevational view thereof;  
FIG. 4 is a left side elevational view thereof;  
FIG. 5 is a right side elevational view thereof;  
FIG. 6 is a top plan view thereof; and,  
FIG. 7 is a bottom plan view thereof.

**1 Claim, 4 Drawing Sheets**



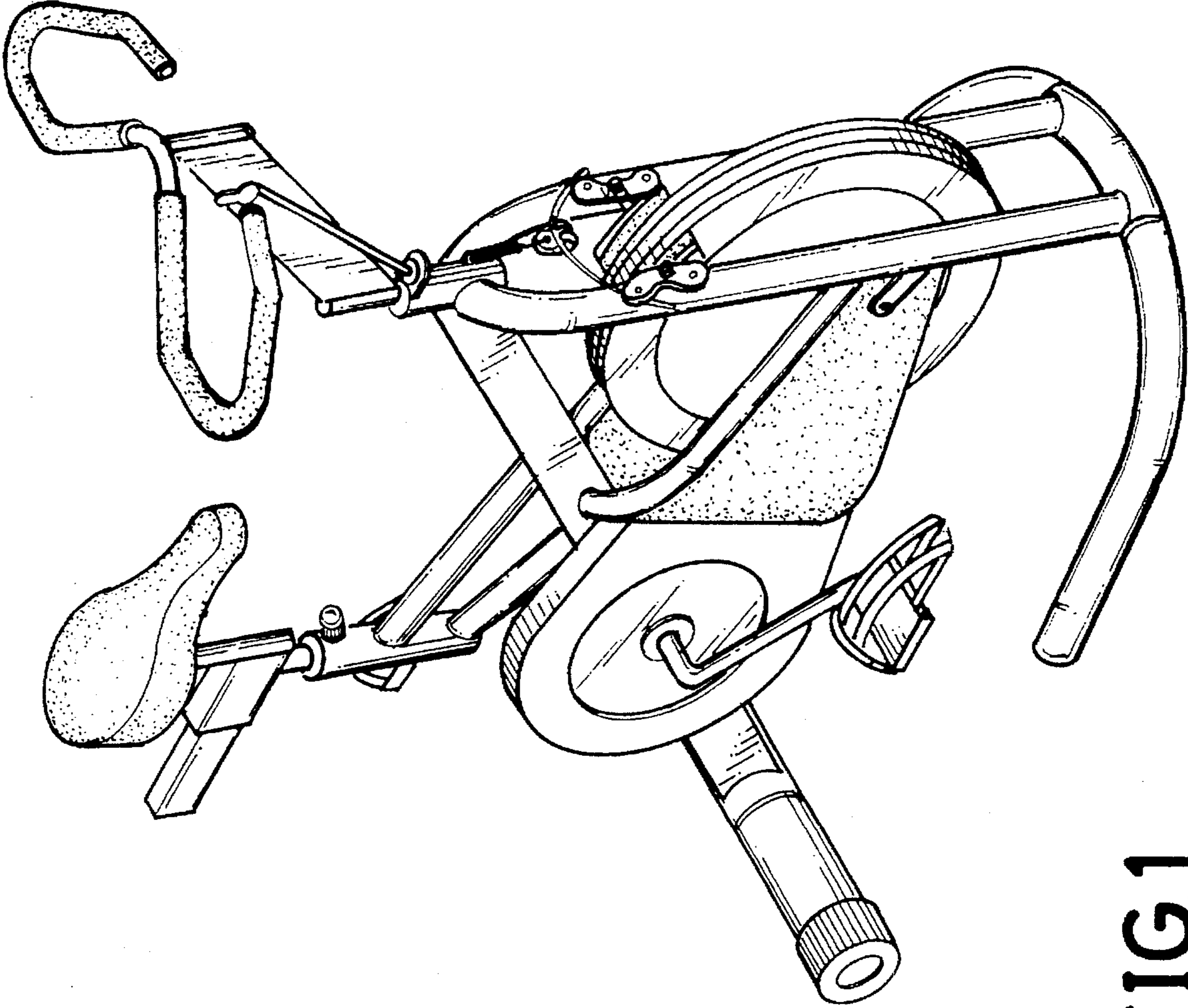


FIG.1

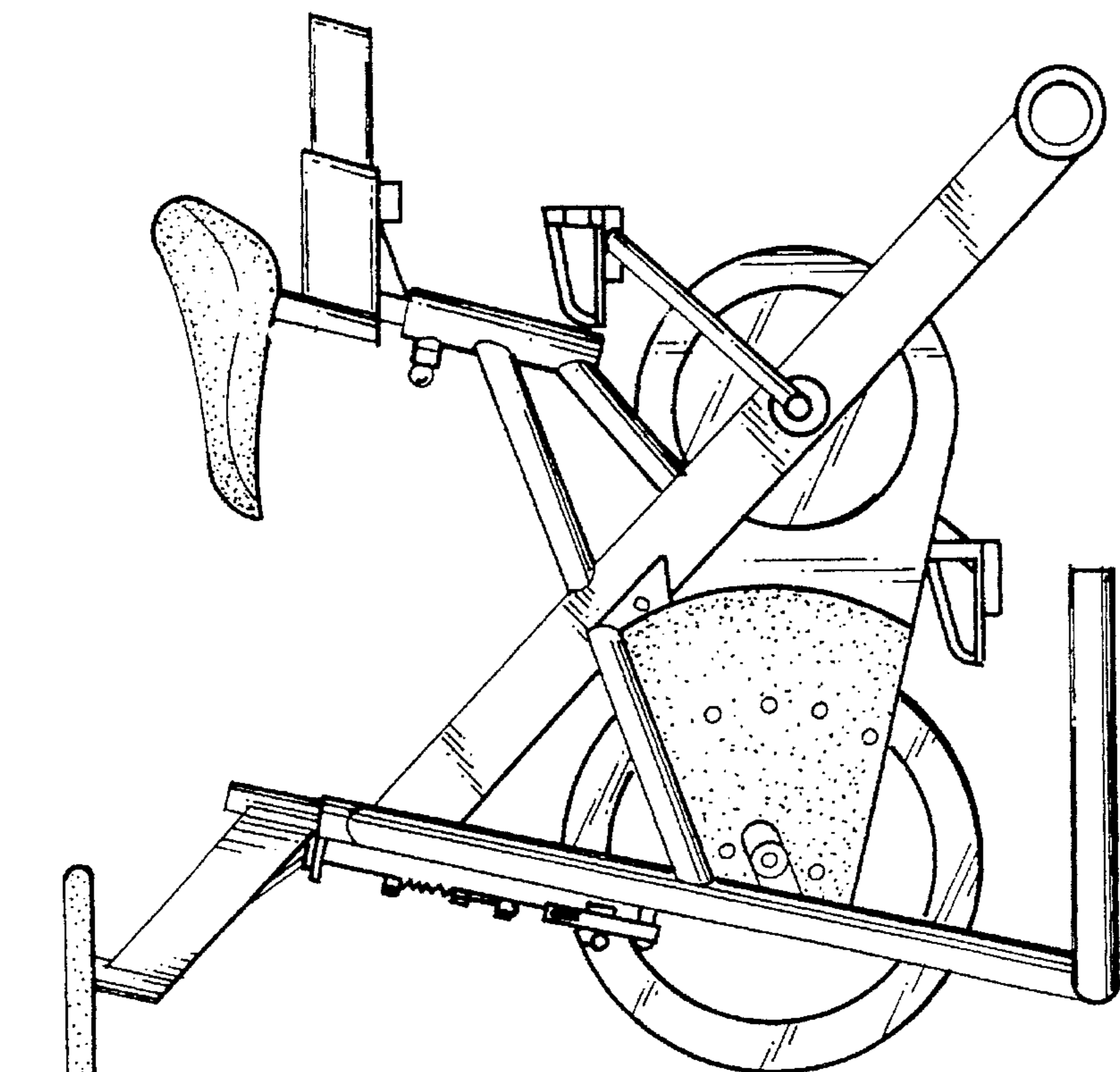


FIG. 3

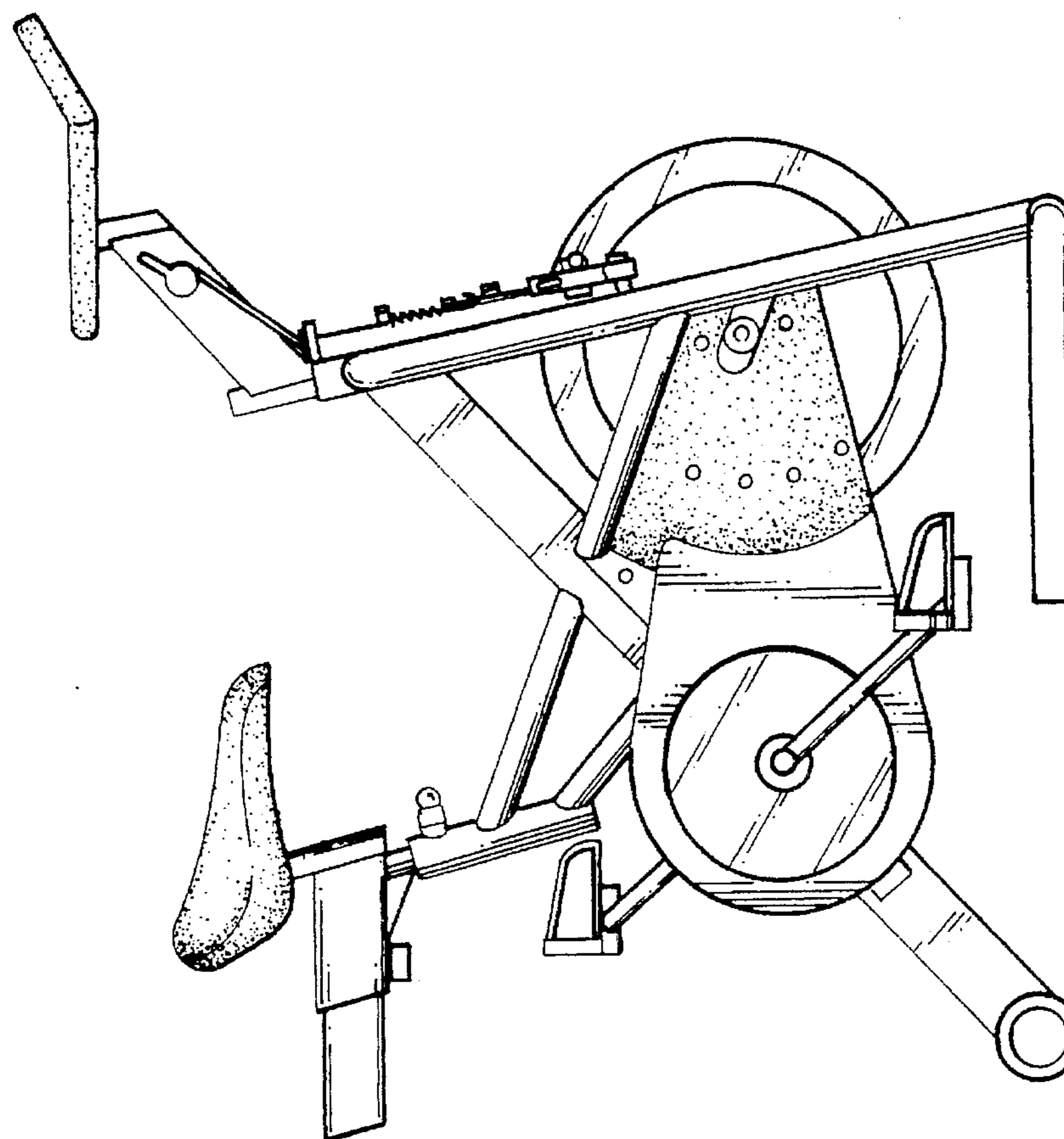


FIG. 2



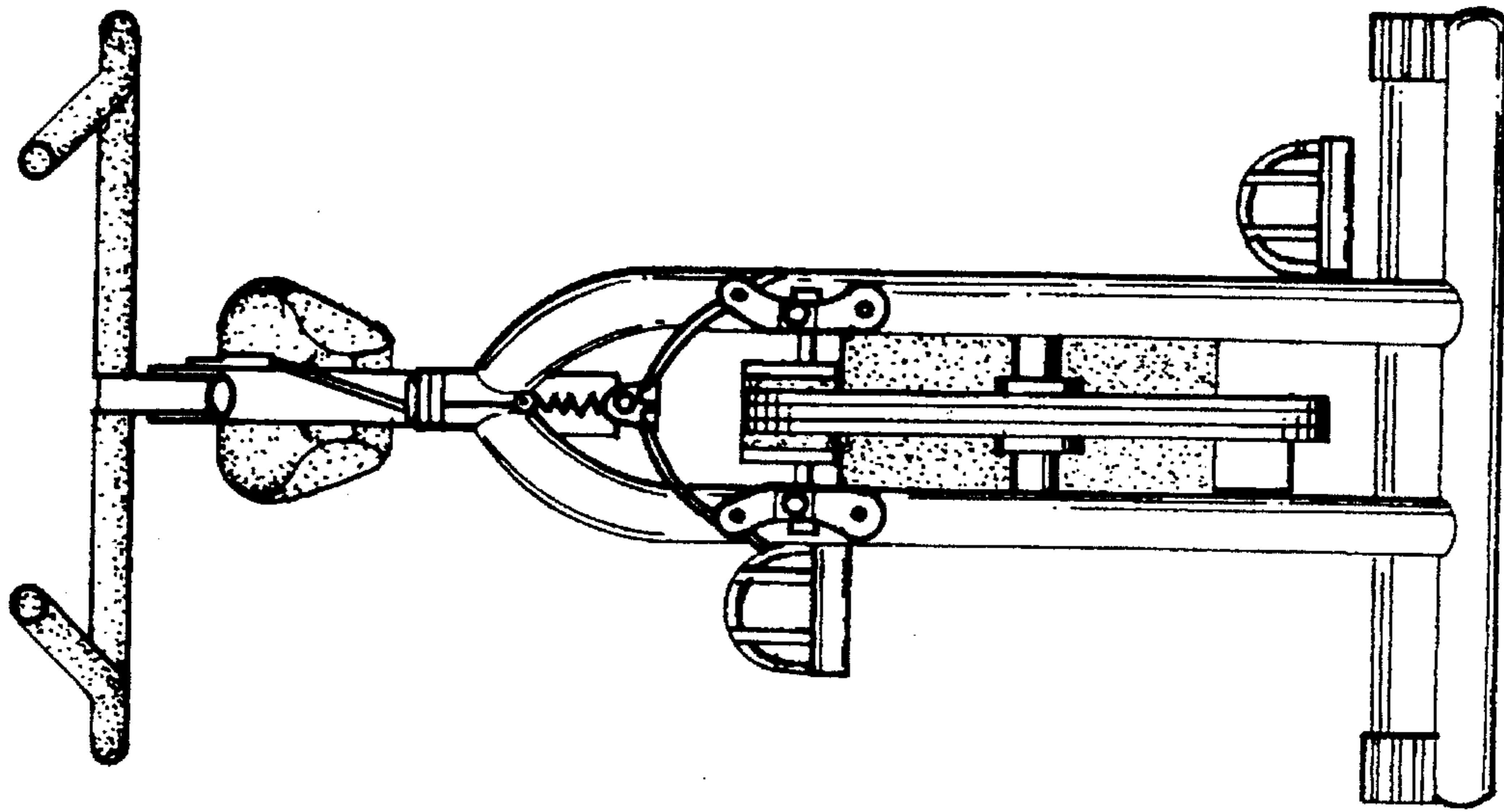


FIG. 5

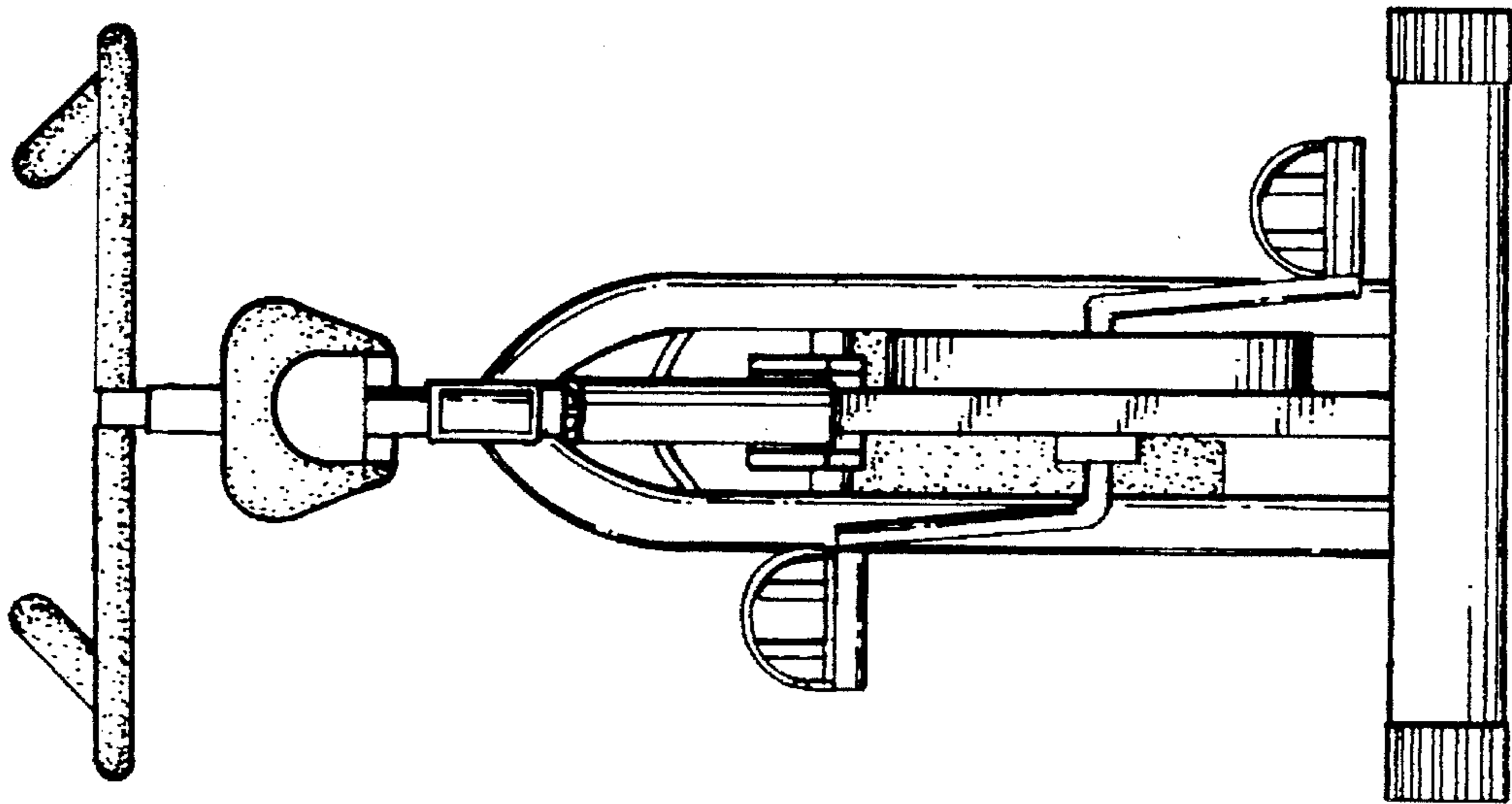


FIG. 4

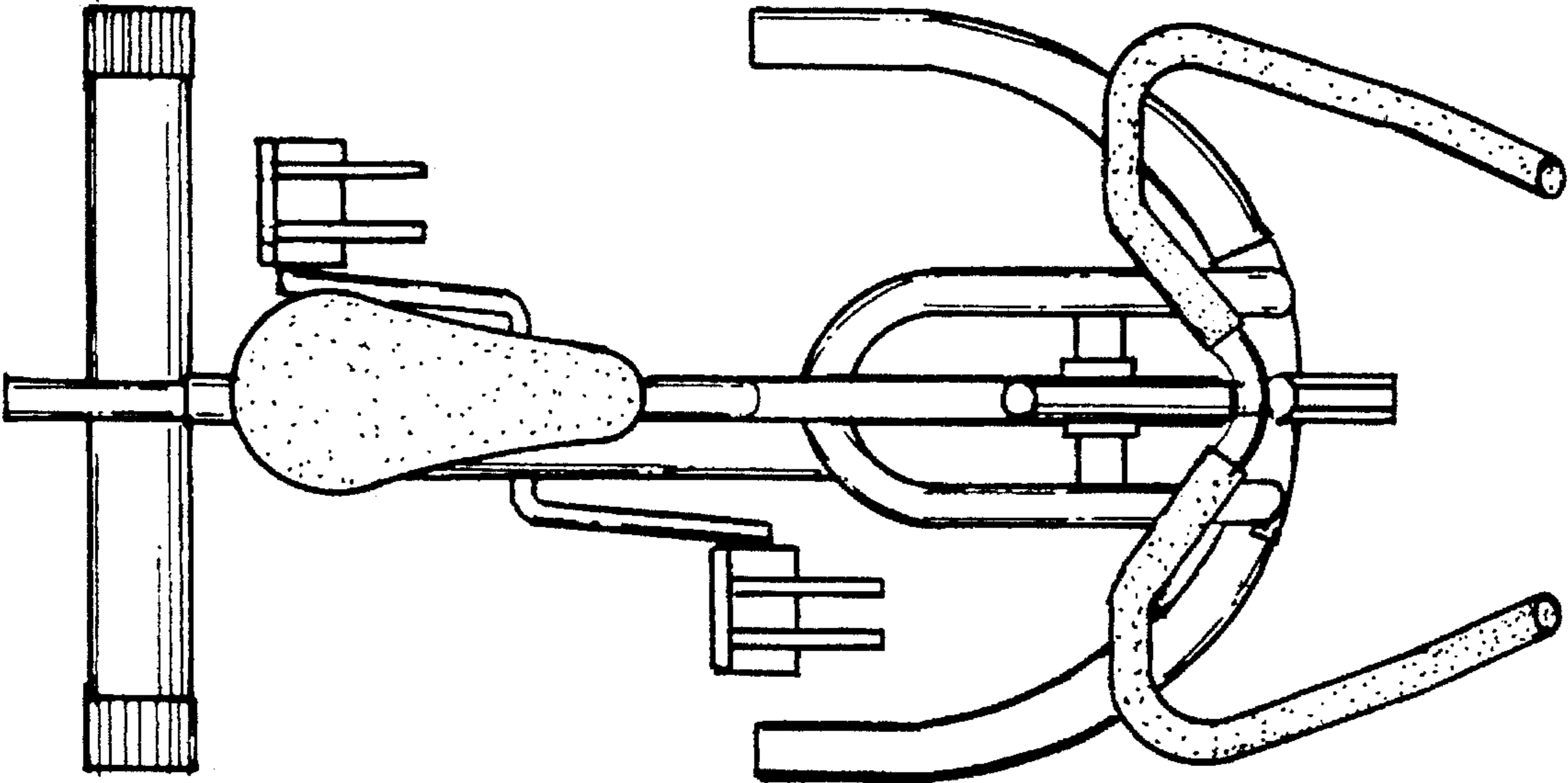


FIG. 6

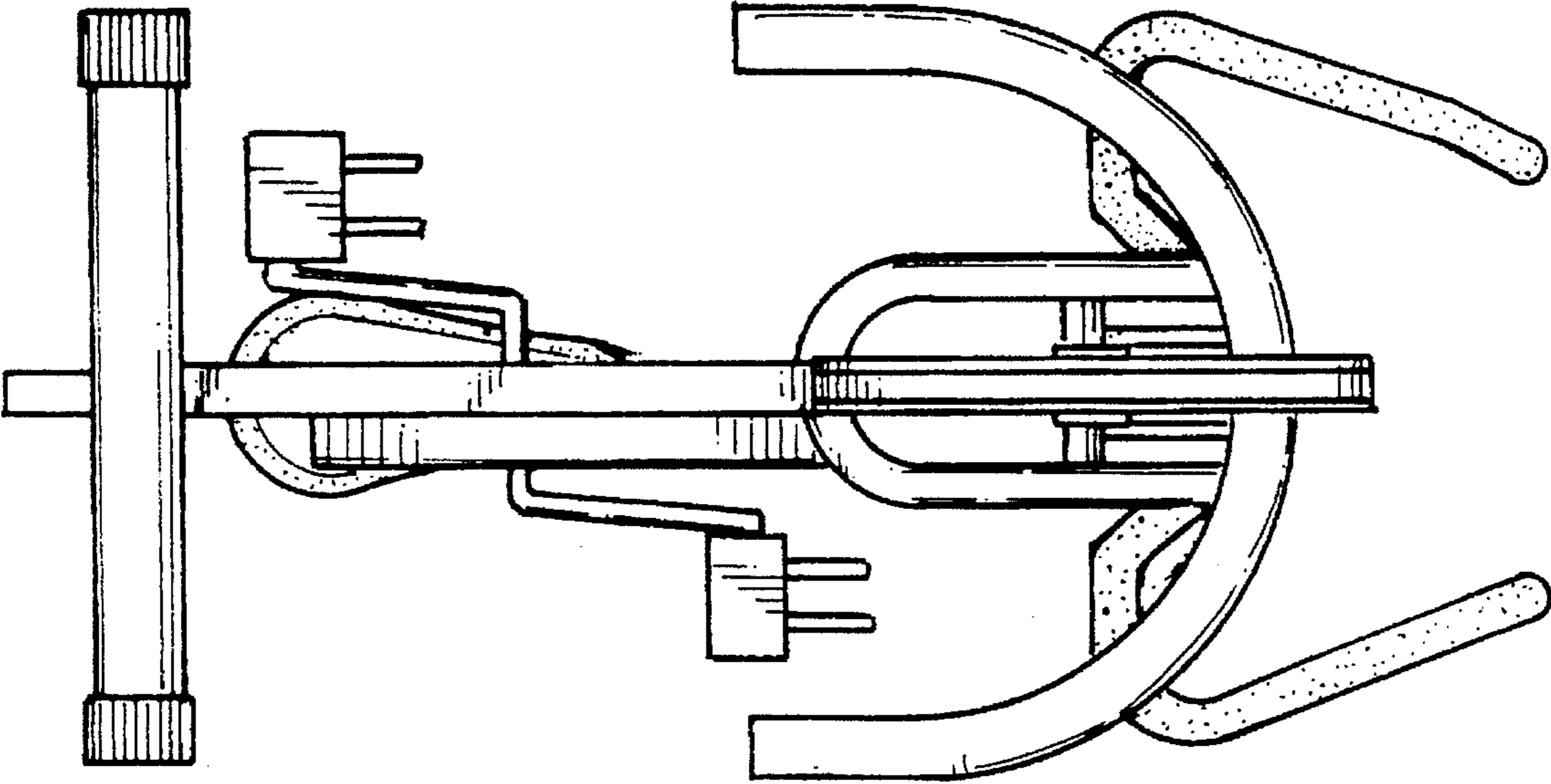


FIG. 7