



US00D372283S

United States Patent [19] Chen

[11] Patent Number: **Des. 372,283**

[45] Date of Patent: ****Jul. 30, 1996**

[54] **EXERCISER**

5,108,092 4/1992 Hurst 482/60
5,312,312 5/1994 Fernandez et al. 482/60

[76] Inventor: **Tsai-lie Chen**, No. 2, Lane 371, Hua Cheng Rd., Hsin Chuang City, Taipei Hsien, Taiwan

Primary Examiner—Philip S. Hyder
Attorney, Agent, or Firm—Morton J. Rosenberg; David I. Klein

[**] Term: **14 Years**

[57] **CLAIM**

[21] Appl. No.: **40,726**

The ornamental design for an exerciser, as shown.

[22] Filed: **Jun. 26, 1995**

DESCRIPTION

[22] U.S. Cl. **D21/194**

[58] **Field of Search** D21/191, 192, D21/193, 194, 195; 482/51, 60, 57, 58, 59, 61, 64

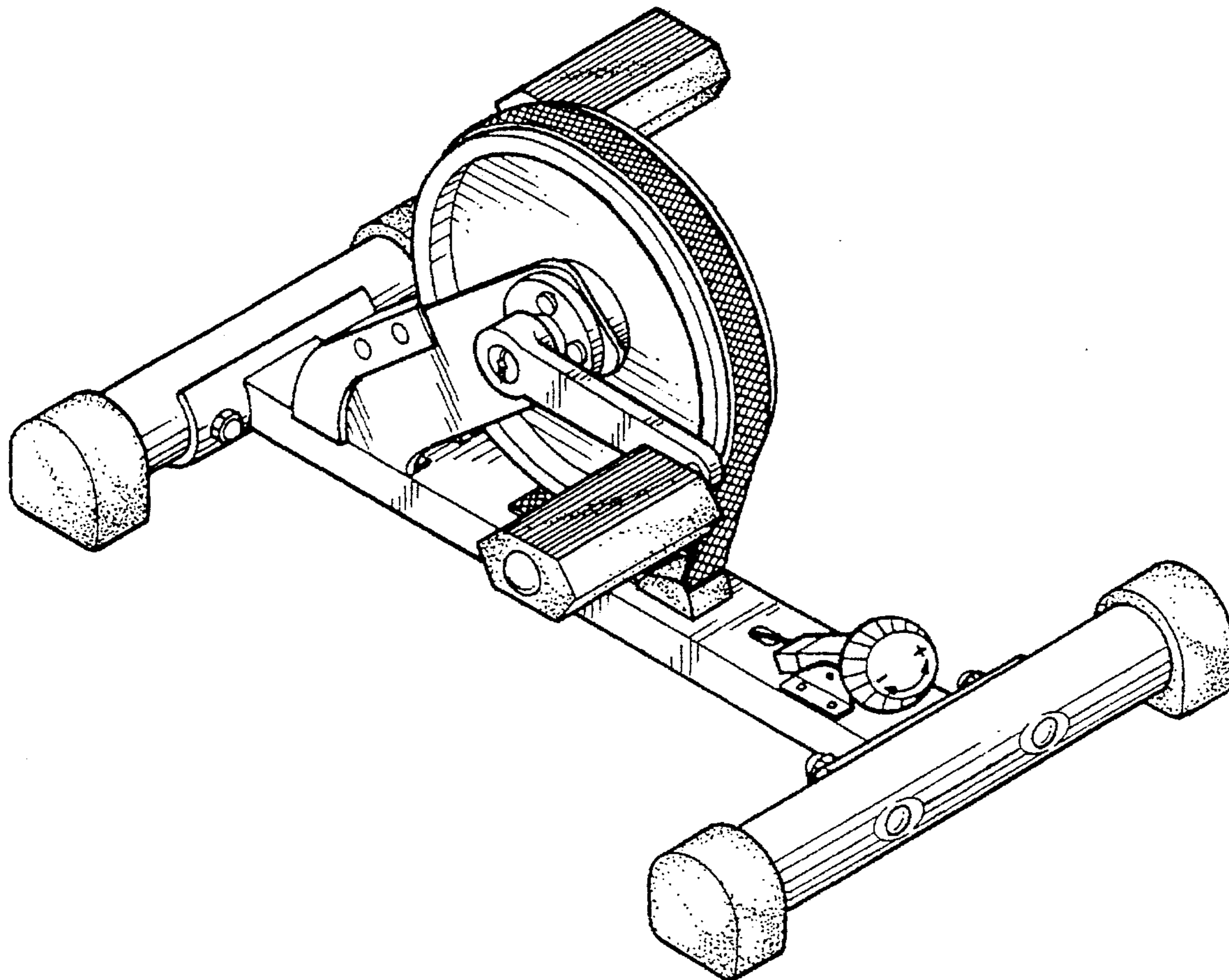
FIG. 1 is a perspective view from the front, top and right side of an exerciser showing my new design;
FIG. 2 is a front view thereof;
FIG. 3 is a rear view thereof;
FIG. 4 is a left side elevational view thereof;
FIG. 5 is a right side elevational view thereof;
FIG. 6 is a top plan view thereof;
FIG. 7 is a bottom plan view thereof; and,
FIG. 8 is a perspective view thereof, wherein the broken line showing of the meter is for illustrative purposes only and forms no part of the claimed design.

[56] **References Cited**

U.S. PATENT DOCUMENTS

D. 211,478	6/1968	Margolies	D21/194
D. 281,710	12/1985	Kirby	D21/194
3,100,640	8/1963	Weitzel	482/60
3,259,385	7/1966	Boren	482/60
3,910,571	10/1975	Stenn	482/60
4,390,177	6/1983	Biran et al.	482/60

1 Claim, 4 Drawing Sheets



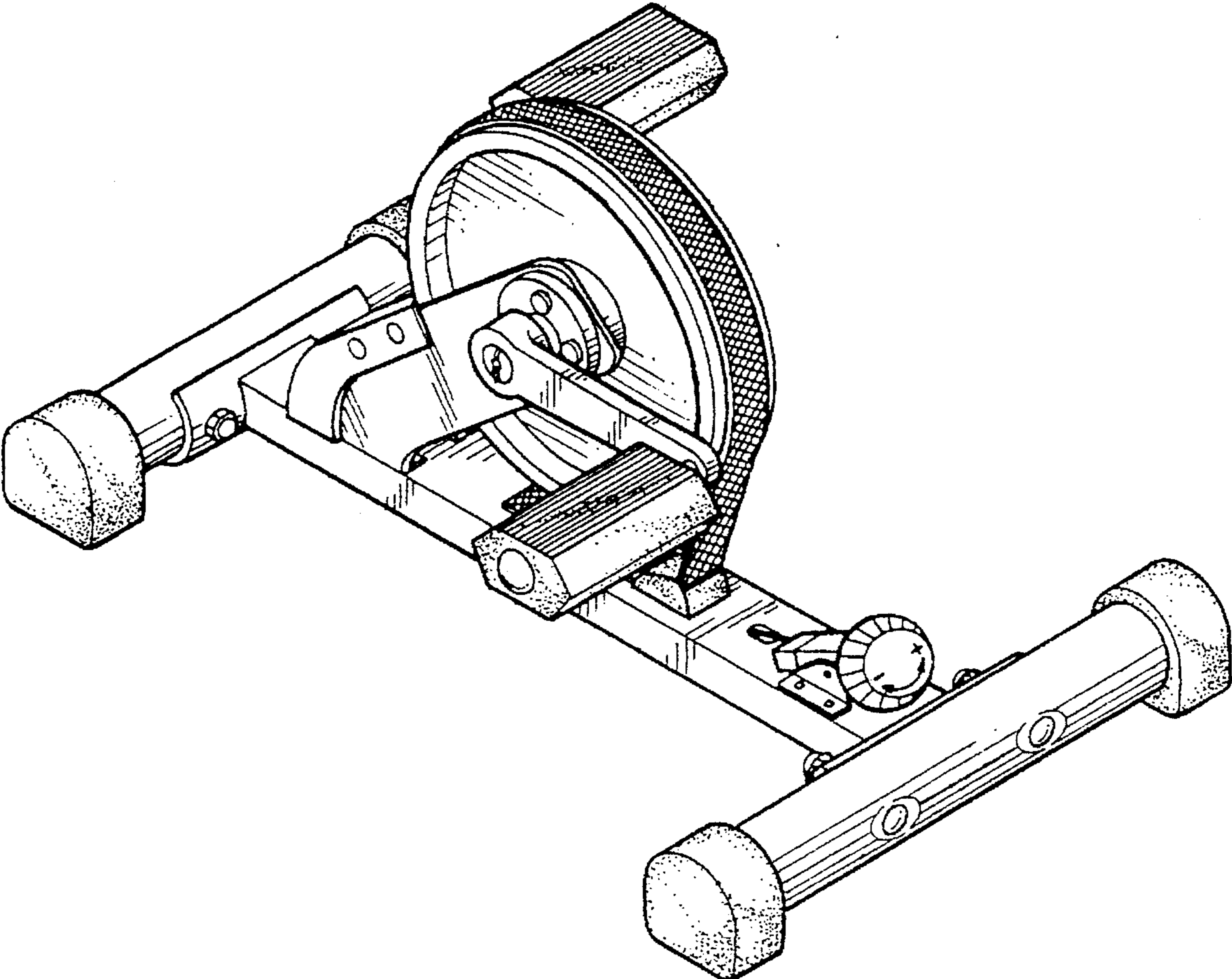


FIG. 1

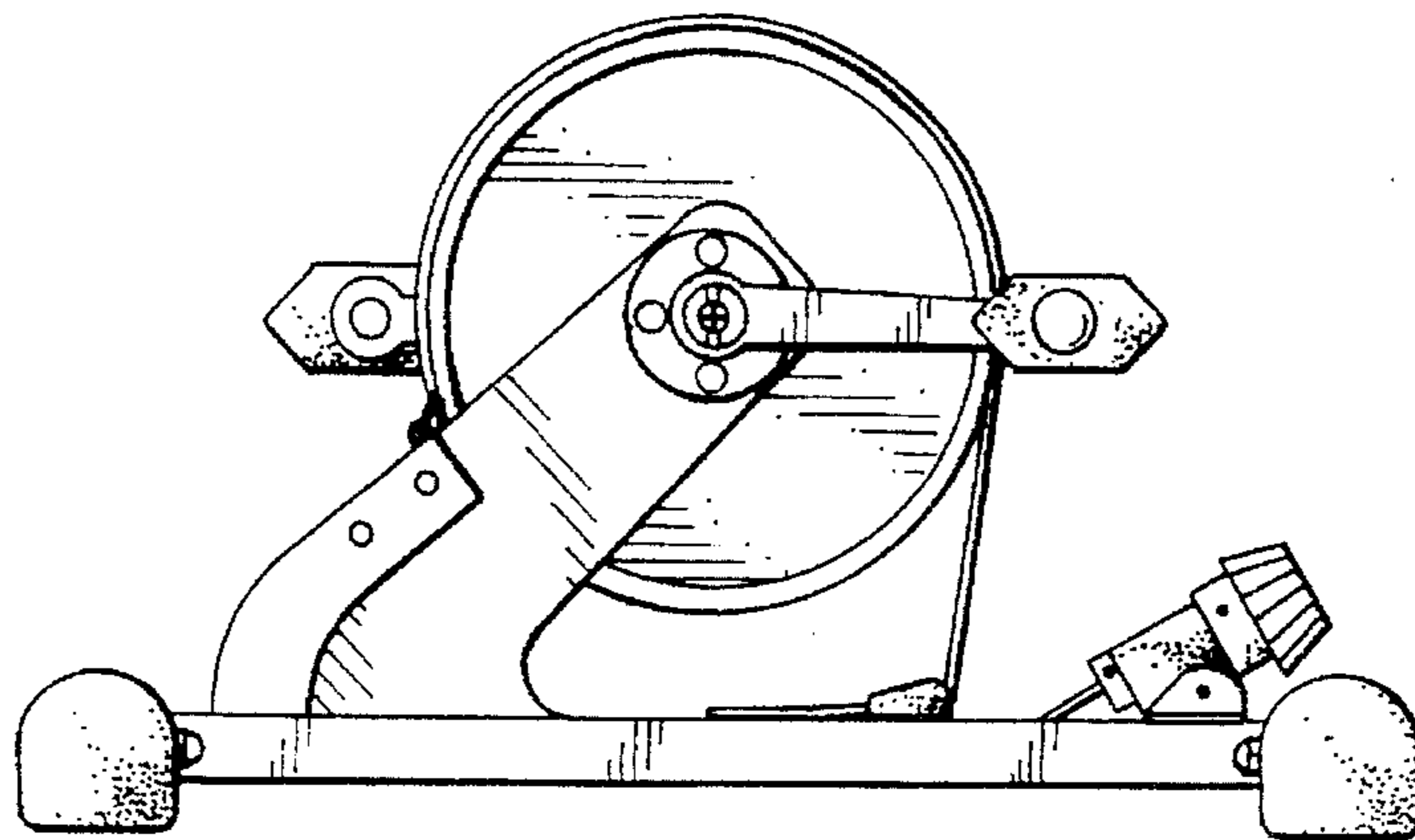


FIG. 2

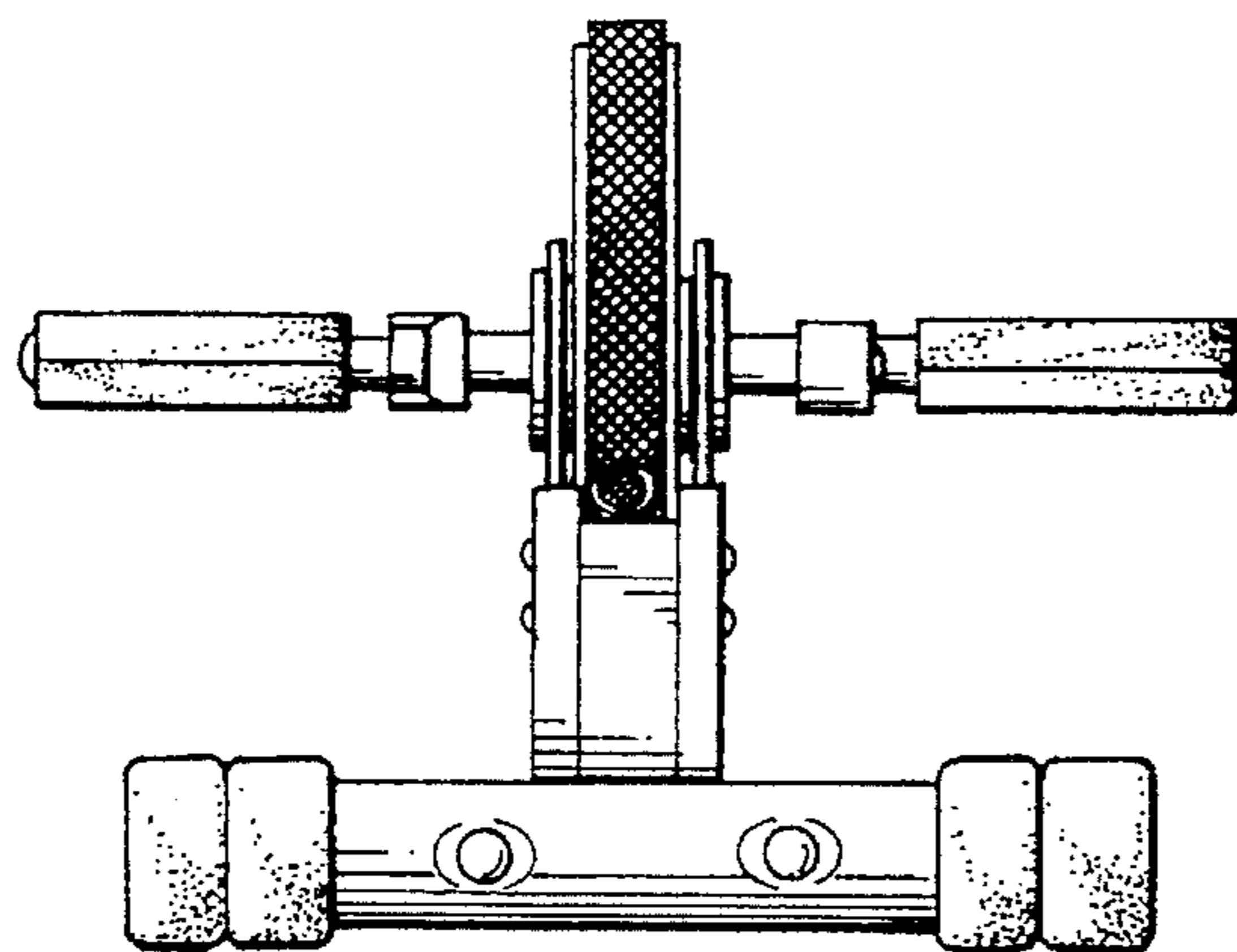


FIG. 4

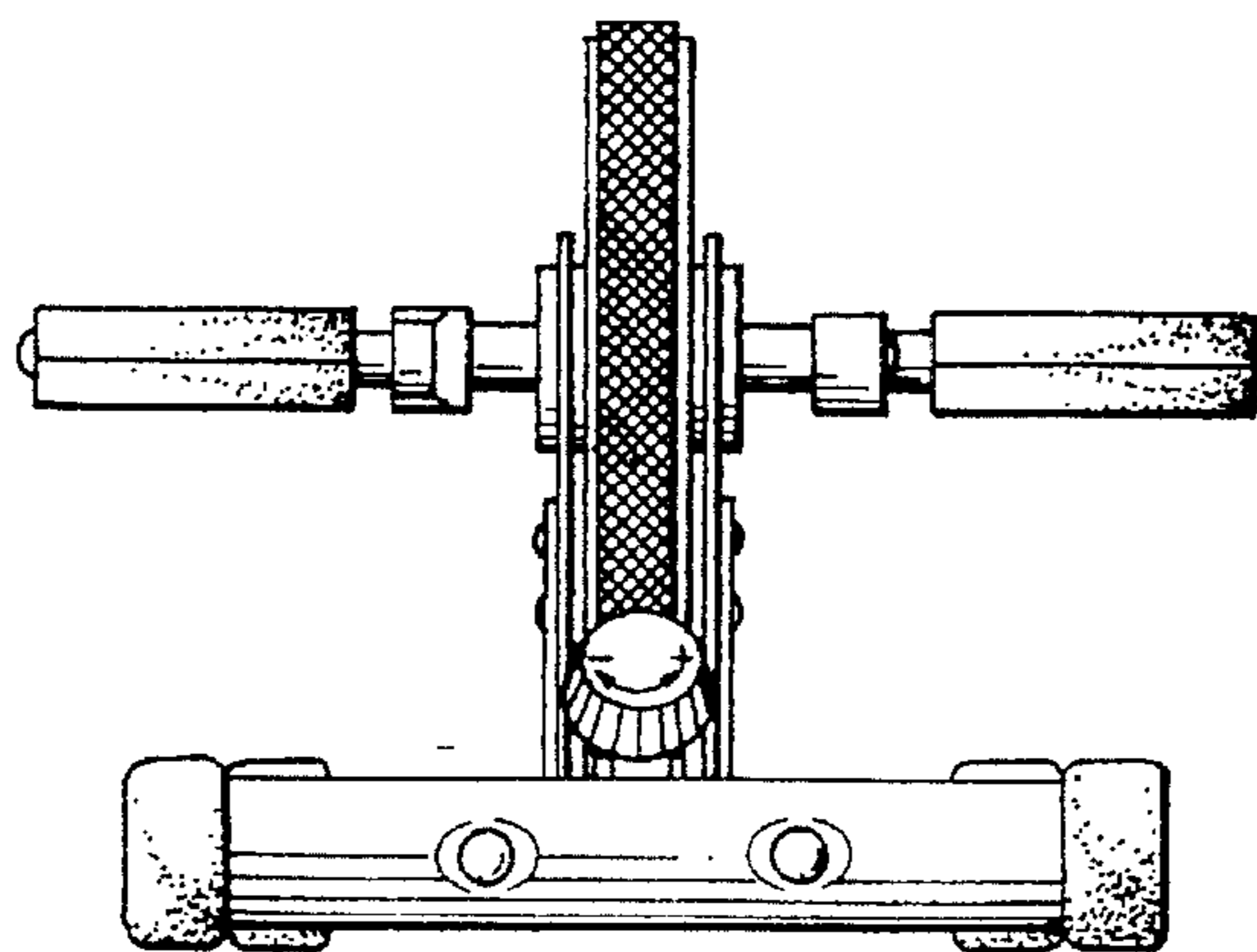


FIG. 5

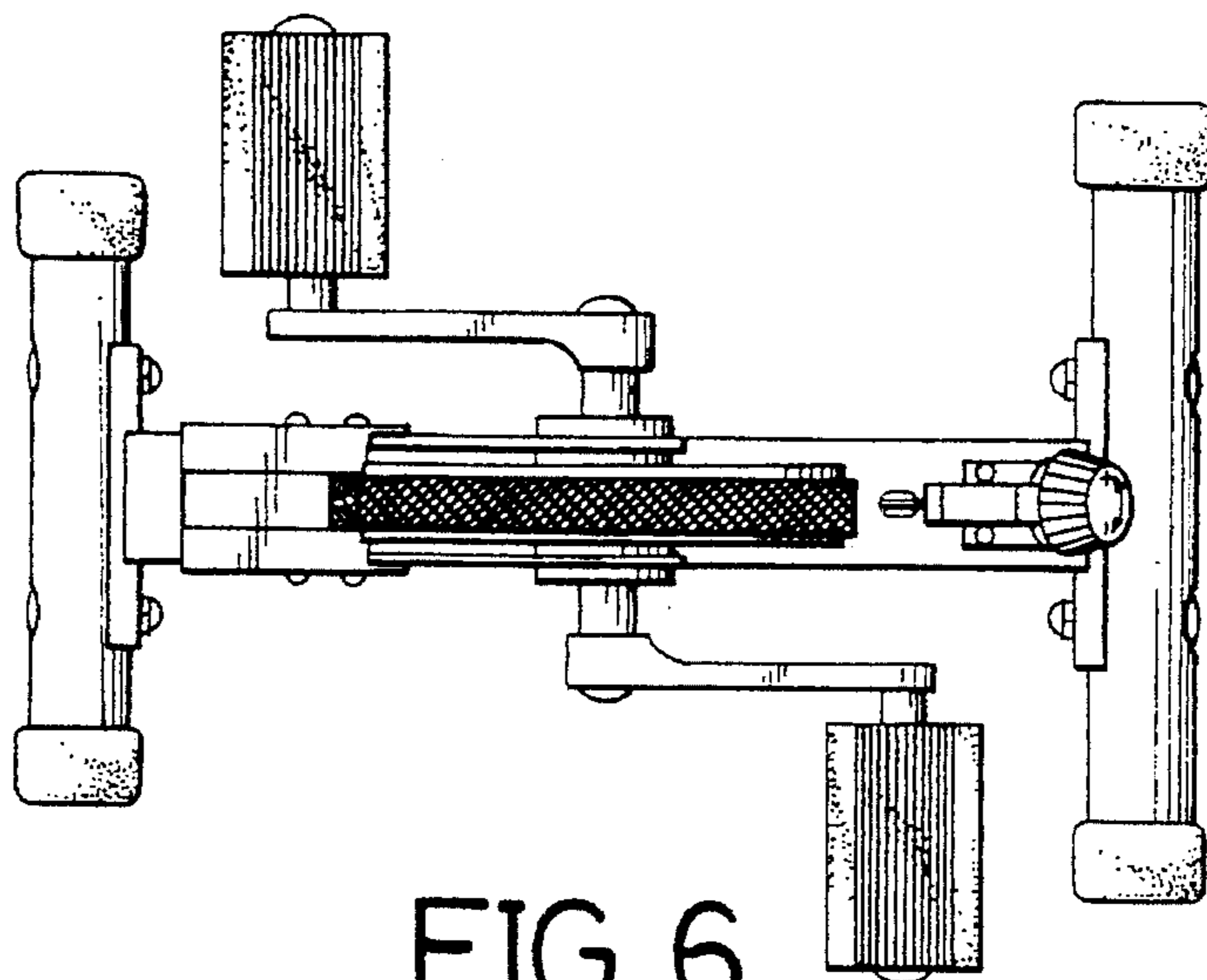


FIG. 6

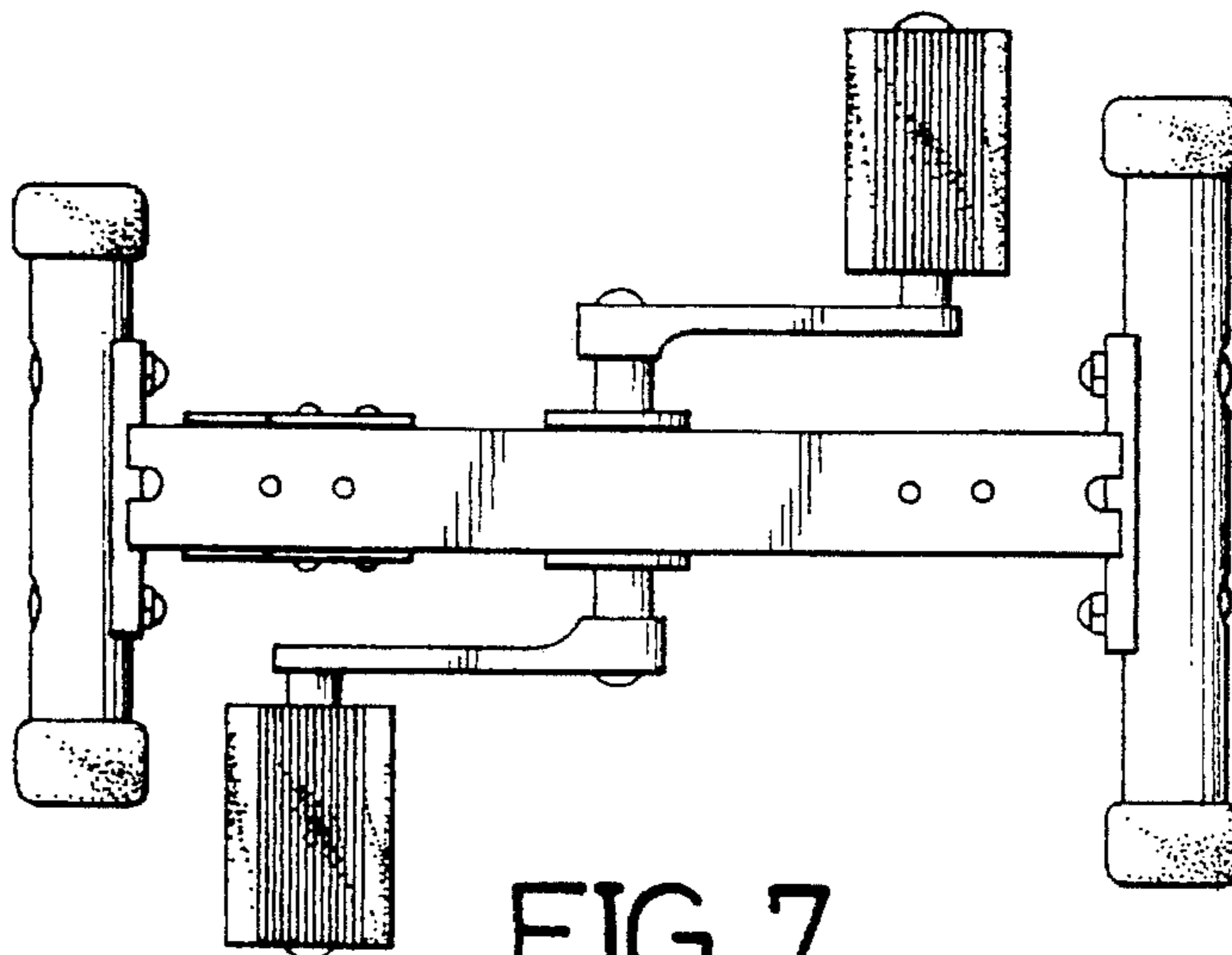


FIG. 7

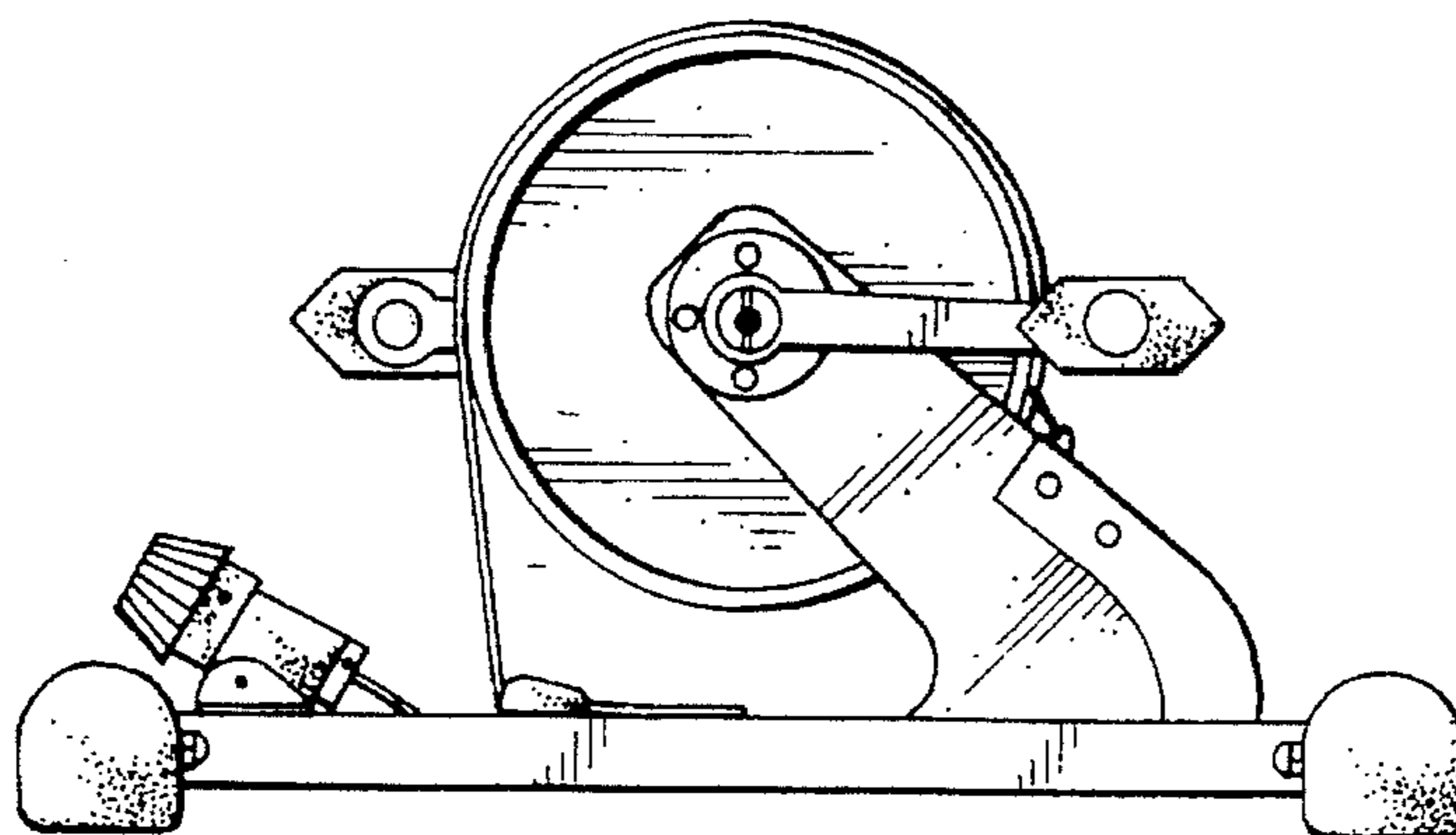


FIG. 3

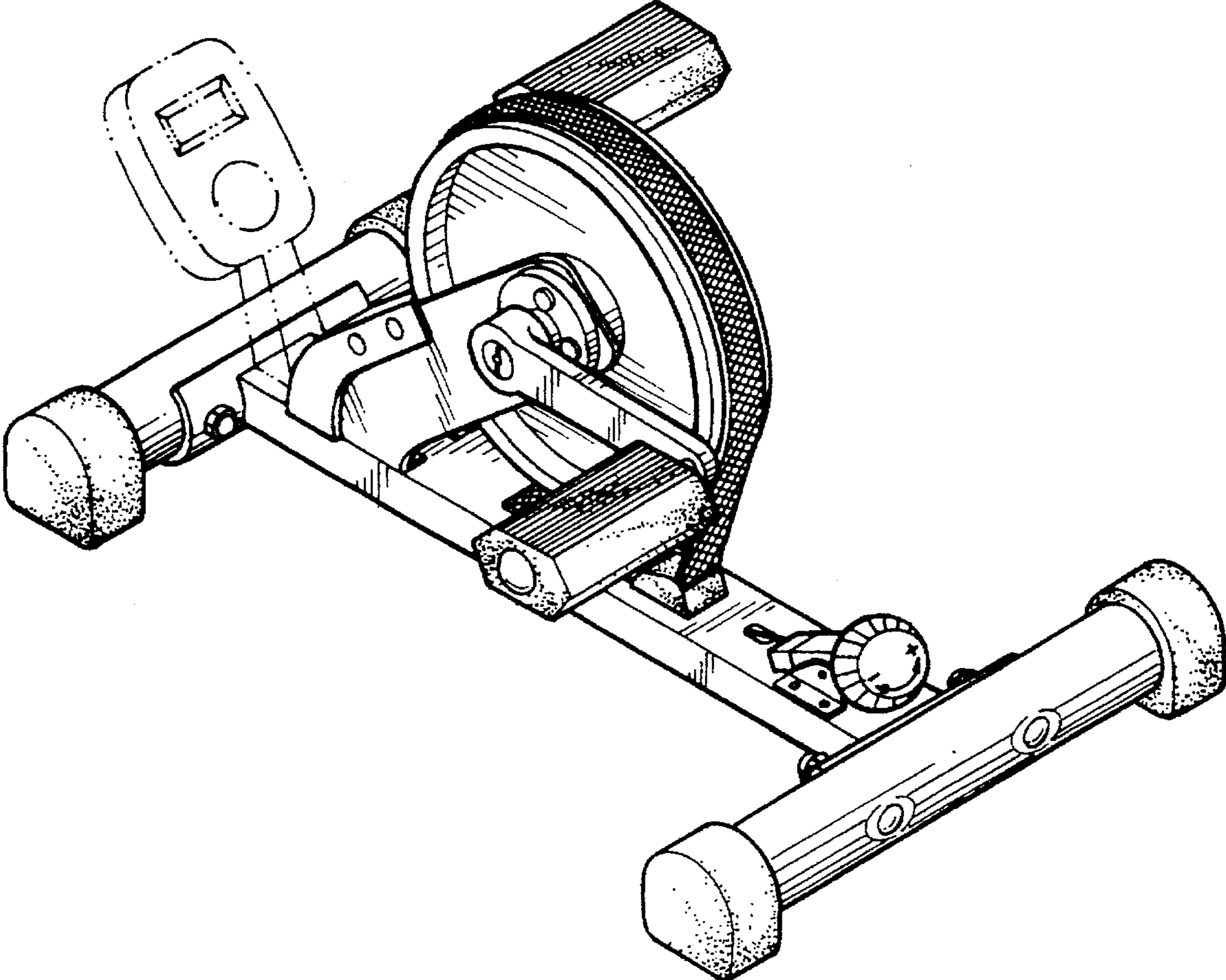


FIG. 8