



US00D372282S

United States Patent [19]

[11] Patent Number: **Des. 372,282**

Pasero et al.

[45] Date of Patent: ****Jul. 30, 1996**

[54] **CROSS TRAINING EXERCISER**

[75] Inventors: **Peter Pasero, Renton; Janine Whantong, Woodinville, both of Wash.**

[73] Assignee: **Precor Incorporated, Bothell, Wash.**

[**] Term: **14 Years**

4,869,494 9/1989 Lambert, Sr. .
 4,949,954 8/1990 Hix .
 4,986,261 1/1991 Iams et al. 128/25 R
 5,039,088 8/1991 Shifferaw .
 5,242,343 9/1993 Miller 482/57
 5,352,169 10/1994 Eschenbach 482/57
 5,383,829 1/1995 Miller 482/57
 5,403,255 4/1995 Johnston 482/57
 5,423,729 6/1995 Eschenbach 482/70

[21] Appl. No.: **36,006**

[22] Filed: **Mar. 16, 1995**

[52] U.S. Cl. **D21/191; D21/194**

[58] Field of Search **D21/191, 192, D21/193, 194, 195; 482/51, 57, 148, 52, 72, 53, 71, 72; 601/34, 35**

FOREIGN PATENT DOCUMENTS

2919494.3 11/1980 Germany .

Primary Examiner—Philip S. Hyder
Attorney, Agent, or Firm—Christensen, O'Connor, Johnson & Kindness PLLC

[56] References Cited

U.S. PATENT DOCUMENTS

| | | | |
|------------|---------|----------------------|----------|
| D. 330,236 | 10/1992 | Jarriel et al. | D21/194 |
| 219,439 | 9/1879 | Blend . | |
| 2,603,486 | 7/1952 | Hughes . | |
| 2,826,192 | 3/1958 | Mangas . | |
| 2,892,455 | 6/1959 | Hutton . | |
| 3,316,898 | 5/1967 | Brown . | |
| 3,566,861 | 3/1971 | Weiss | 128/25 R |
| 3,713,438 | 1/1973 | Knutsen | 128/25 R |
| 3,759,511 | 9/1973 | Zinkin et al. . | |
| 3,824,994 | 7/1974 | Soderberg, Srt. | 128/25 R |
| 4,185,622 | 1/1980 | Swenson | 128/25 R |
| 4,509,742 | 4/1985 | Cones . | |
| 4,645,200 | 2/1987 | Hix . | |
| 4,720,093 | 1/1988 | Del Mar . | |
| 4,786,050 | 11/1988 | Geschwender | 482/57 |

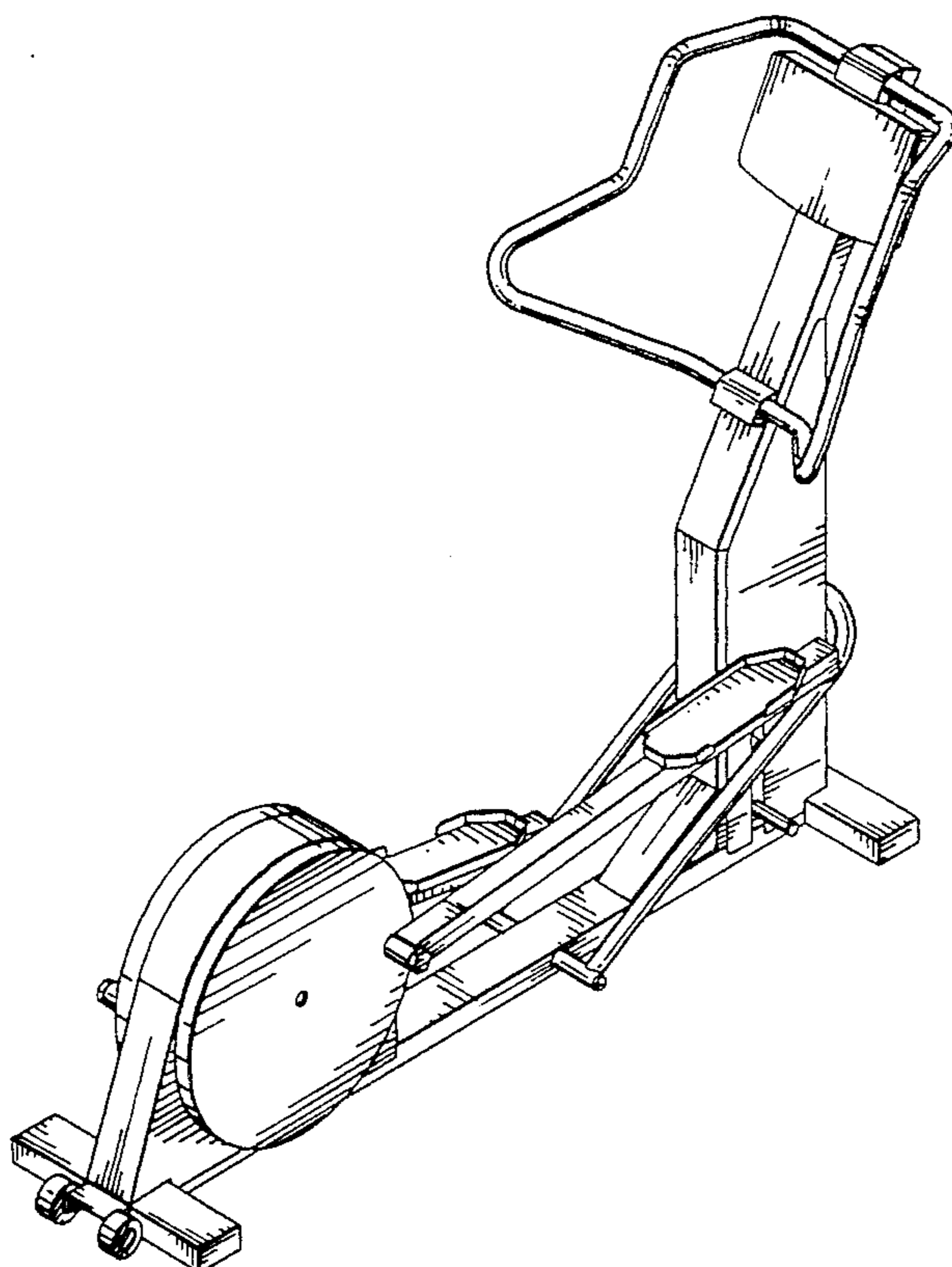
[57] CLAIM

The ornamental design for a cross training exerciser, as shown and described.

DESCRIPTION

FIG. 1 is a perspective view of the cross training exerciser showing our new design;
 FIG. 2 is a top view thereof;
 FIG. 3 is a bottom view thereof;
 FIG. 4 is a front elevational view thereof;
 FIG. 5 is a rear elevational view thereof; and,
 FIG. 6 is a side elevational view thereof the opposite side being a mirror image thereof except for the pedals being in an alternate position.

1 Claim, 4 Drawing Sheets



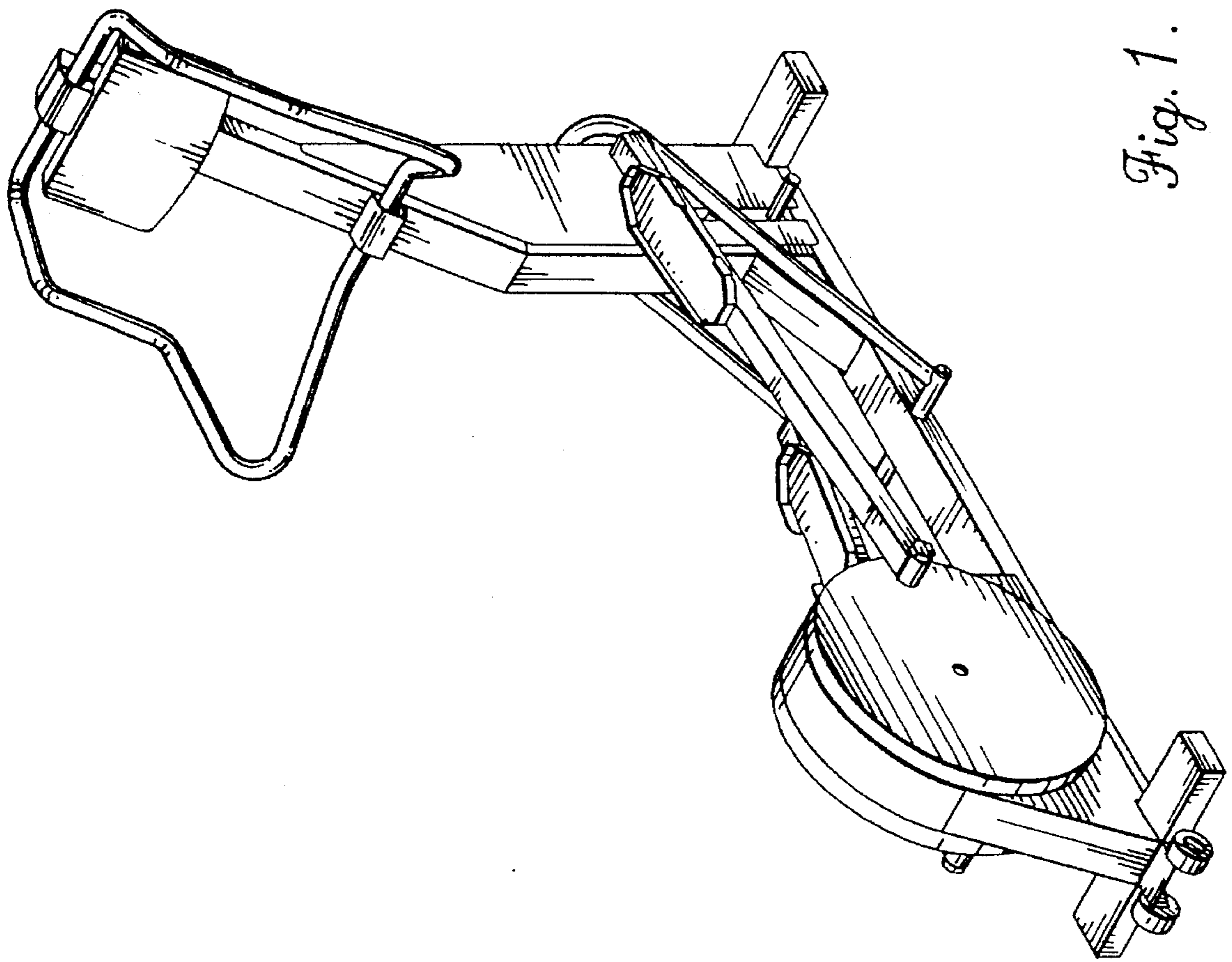


Fig. 1.

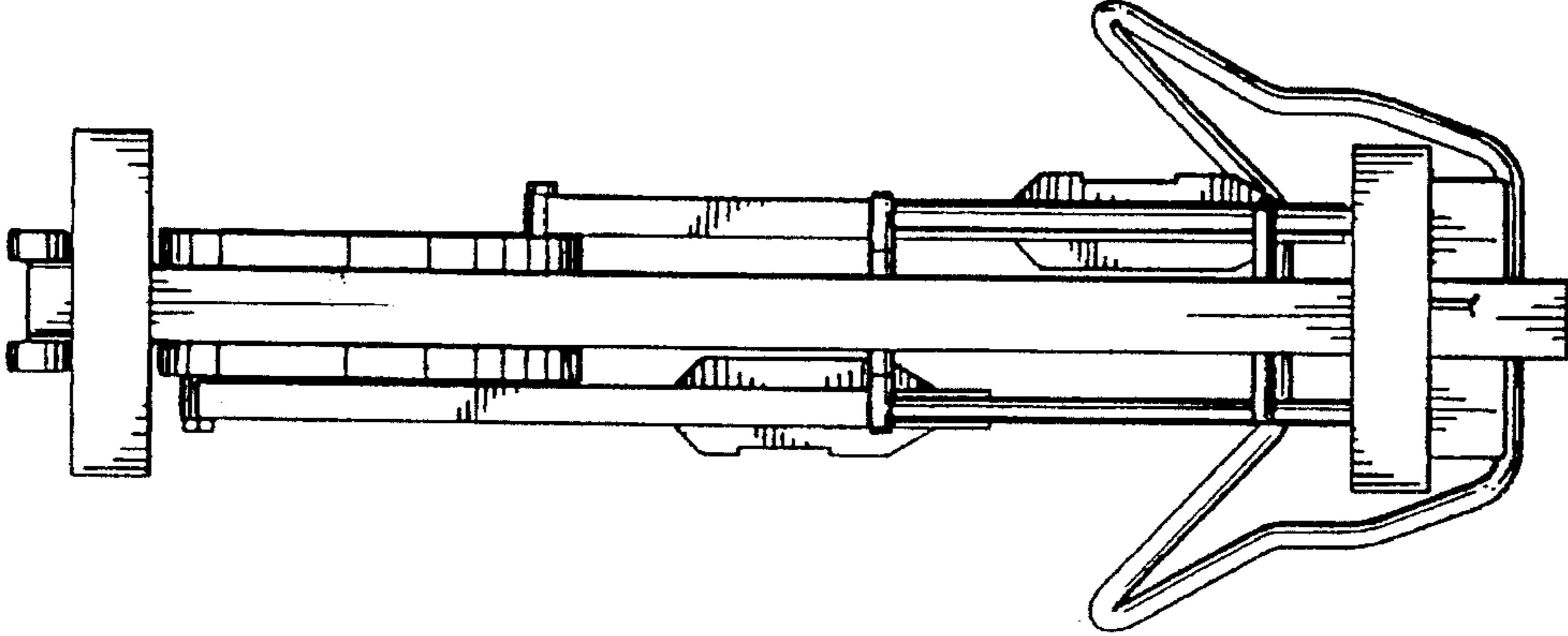


Fig. 3.

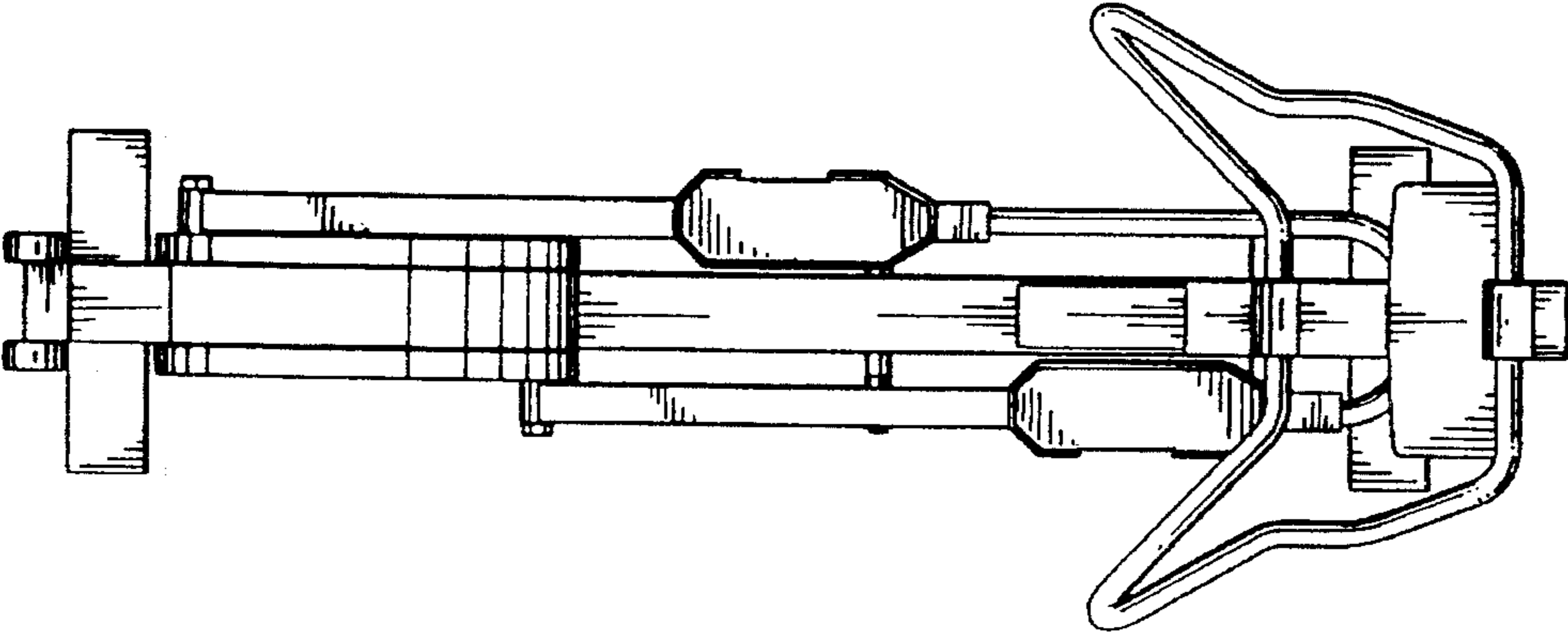


Fig. 2.

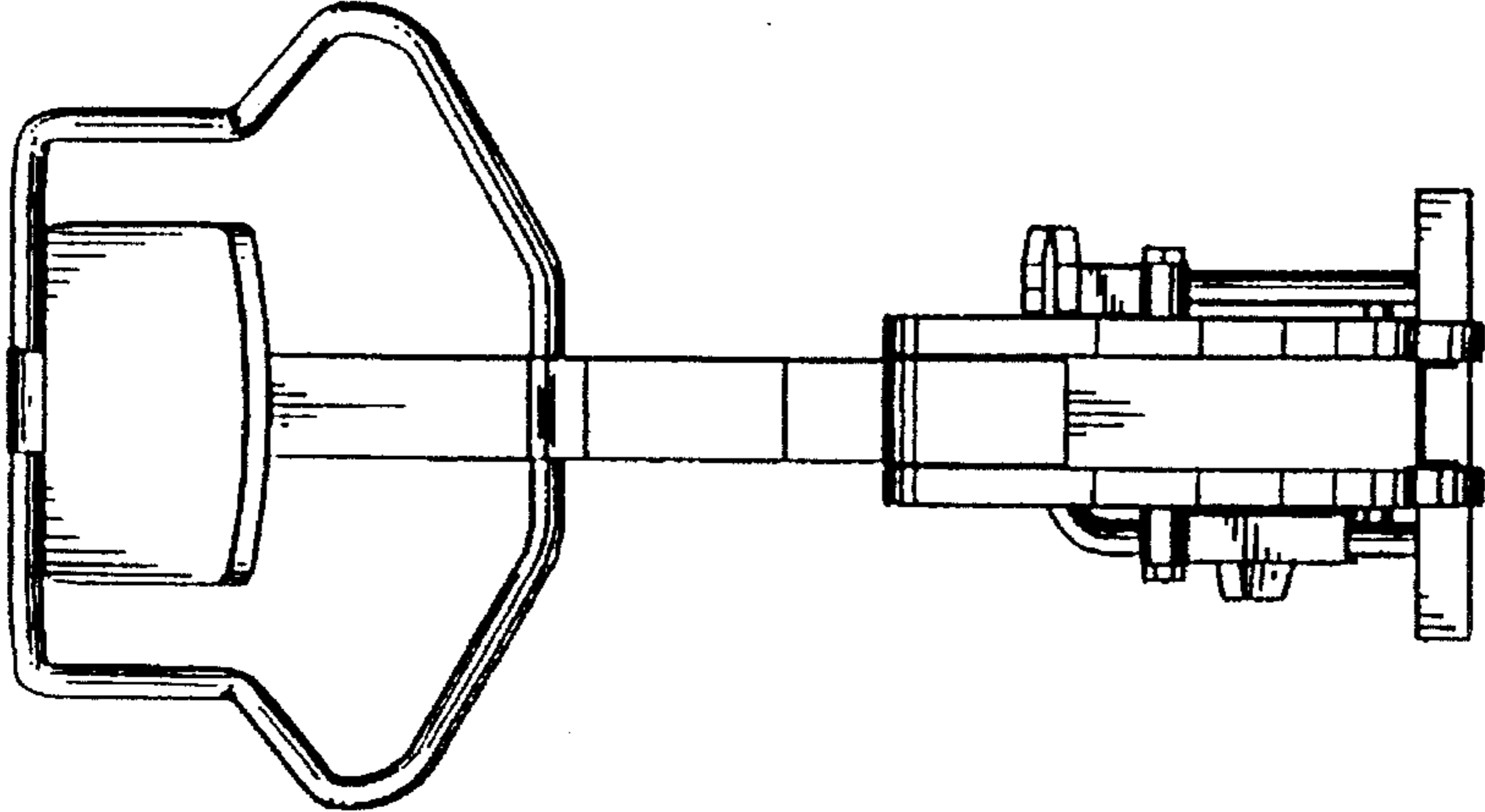


Fig. 5.

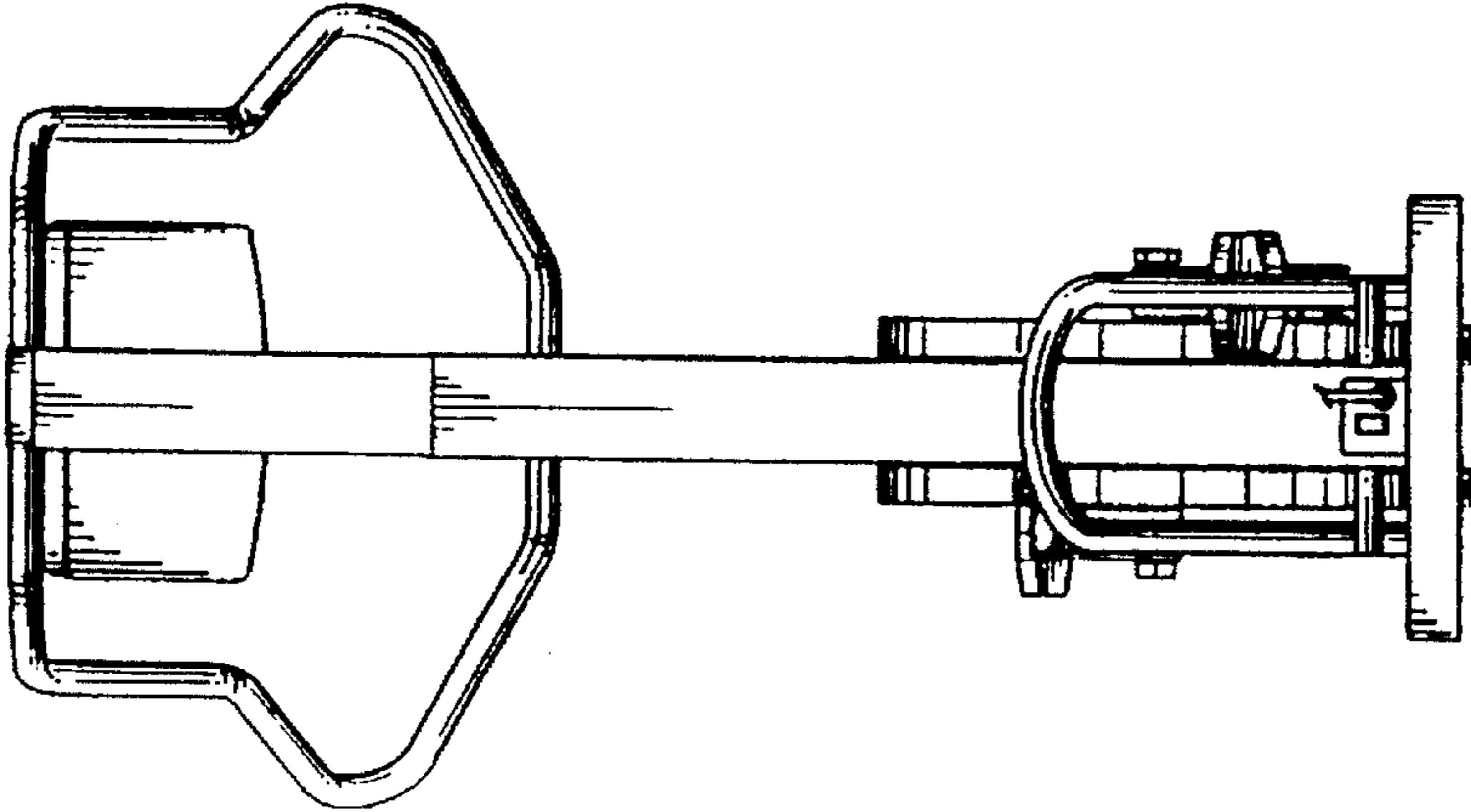


Fig. 4.

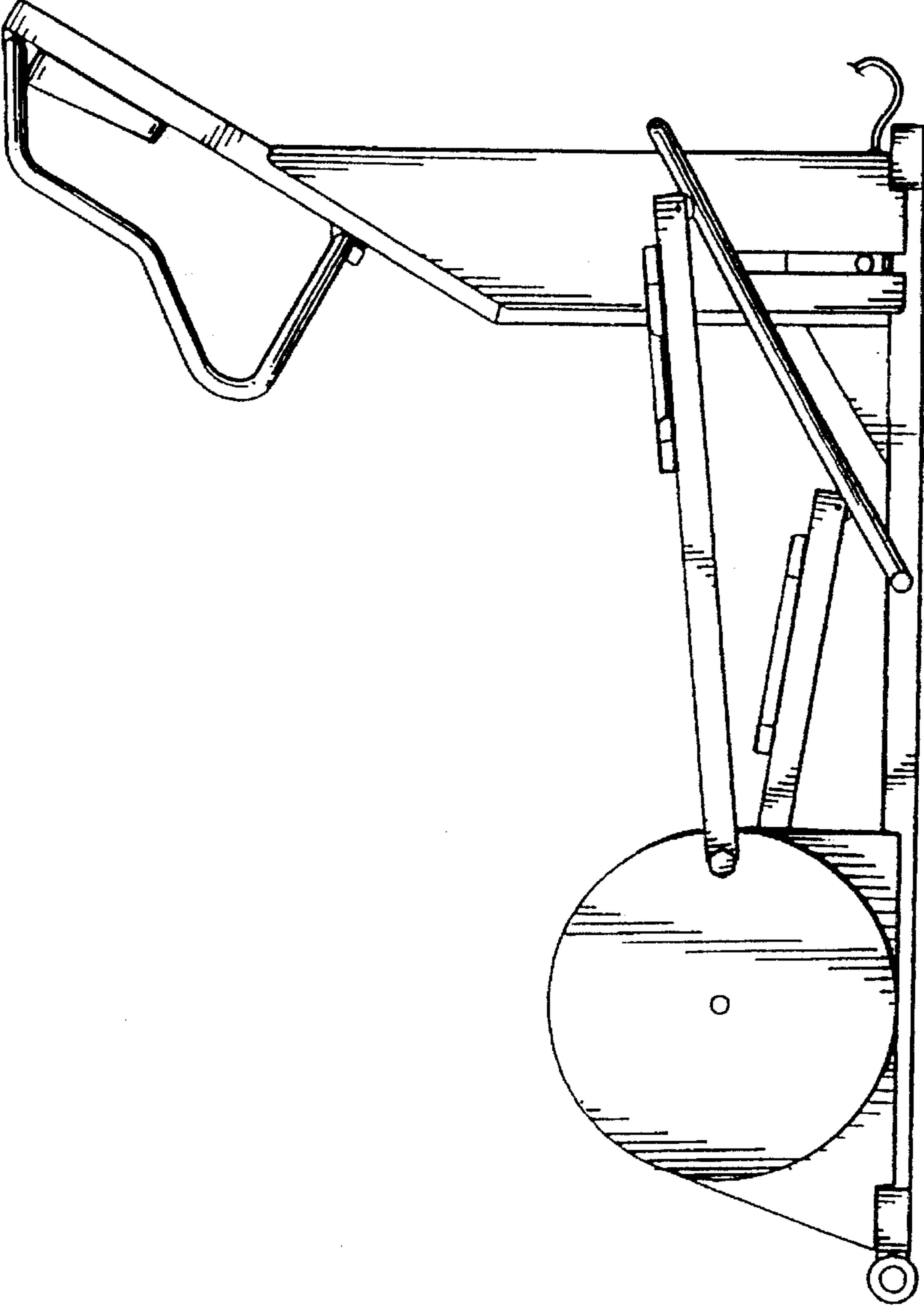


Fig. 6.