



US00D372277S

United States Patent [19]
Henley

[11] **Patent Number:** **Des. 372,277**

[45] **Date of Patent:** ****Jul. 30, 1996**

[54] **FLYING TOY**

[75] Inventor: **Michael E. Henley**, Santa Barbara, Calif.

[73] Assignee: **Lanard Toys Limited**, Kowloon, Hong Kong

[**] Term: **14 Years**

[21] Appl. No.: **44,139**

[22] Filed: **Sep. 18, 1995**

[52] U.S. Cl. **D21/82; D21/90**

[58] **Field of Search** D21/82, 83, 92, D21/96, 98, 150, 166, 171, 177, 180; 446/429, 430, 34-36, 40-42

[56] **References Cited**

U.S. PATENT DOCUMENTS

D. 83,860	4/1931	Kavar	D21/98
D. 172,243	5/1954	Nagler	D21/83
183,794	10/1958	Gardner .	
447,284	2/1891	Del Valle .	
1,262,313	4/1918	Downey	446/42
2,863,257	12/1958	Gribben	446/40

FOREIGN PATENT DOCUMENTS

2043711	6/1995	United Kingdom .
2043712	6/1995	United Kingdom .
2043783	6/1995	United Kingdom .

OTHER PUBLICATIONS

The New York times Magazine; Dec. 25, 1994, front cover; Sky Dancer Figure.

Primary Examiner—Dominic Simone
Attorney, Agent, or Firm—Brumbaugh, Graves, Donohue & Raymond

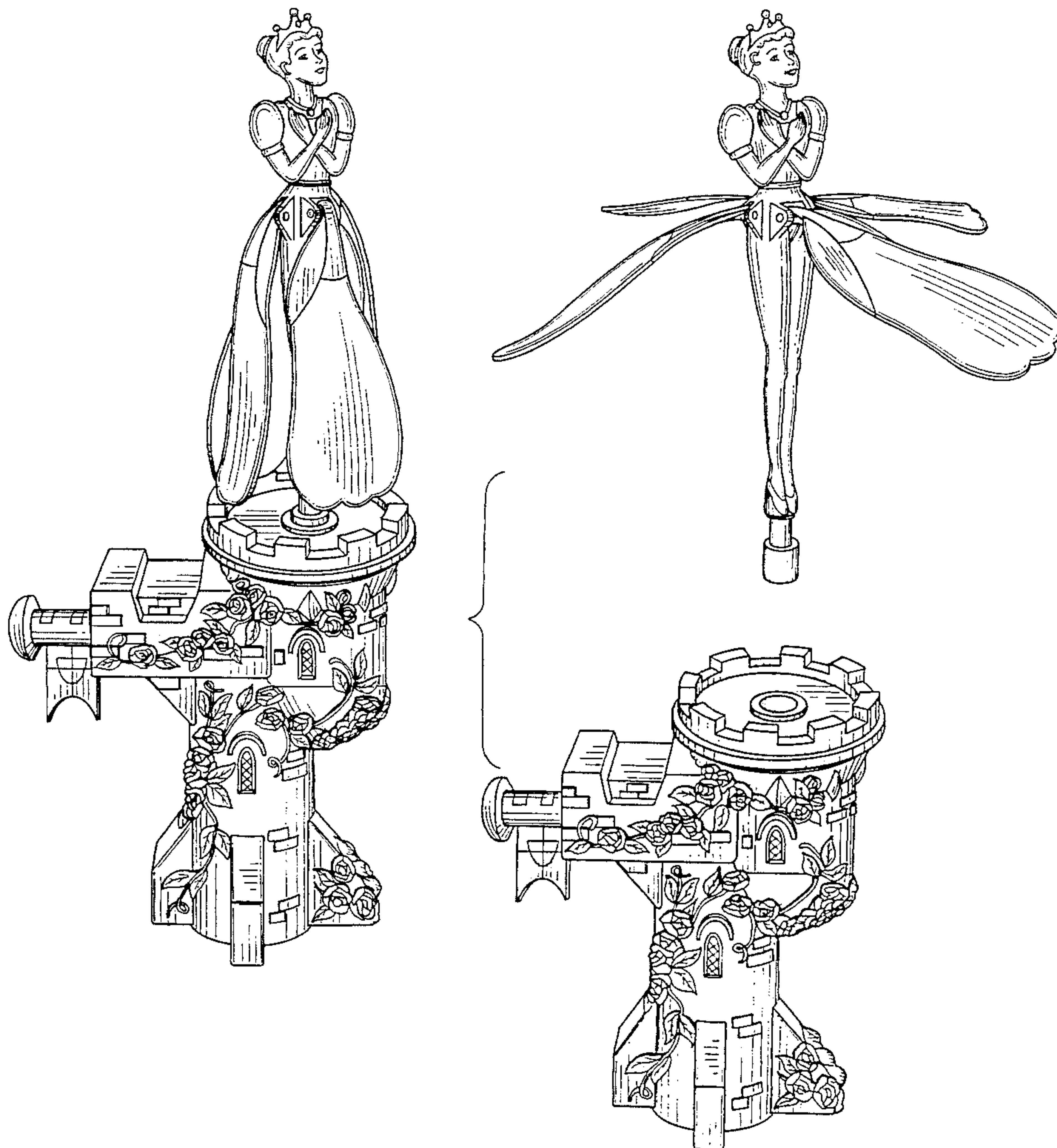
[57] **CLAIM**

The ornamental design for a flying toy, as shown and described.

DESCRIPTION

FIG. 1 is a front perspective view of a flying toy showing my new design;
FIG. 2 is a front elevational view thereof;
FIG. 3 is a left side elevational view thereof;
FIG. 4 is a right side elevational view thereof;
FIG. 5 is a rear elevational view thereof; and,
FIG. 6 is an exploded perspective view thereof.

1 Claim, 4 Drawing Sheets



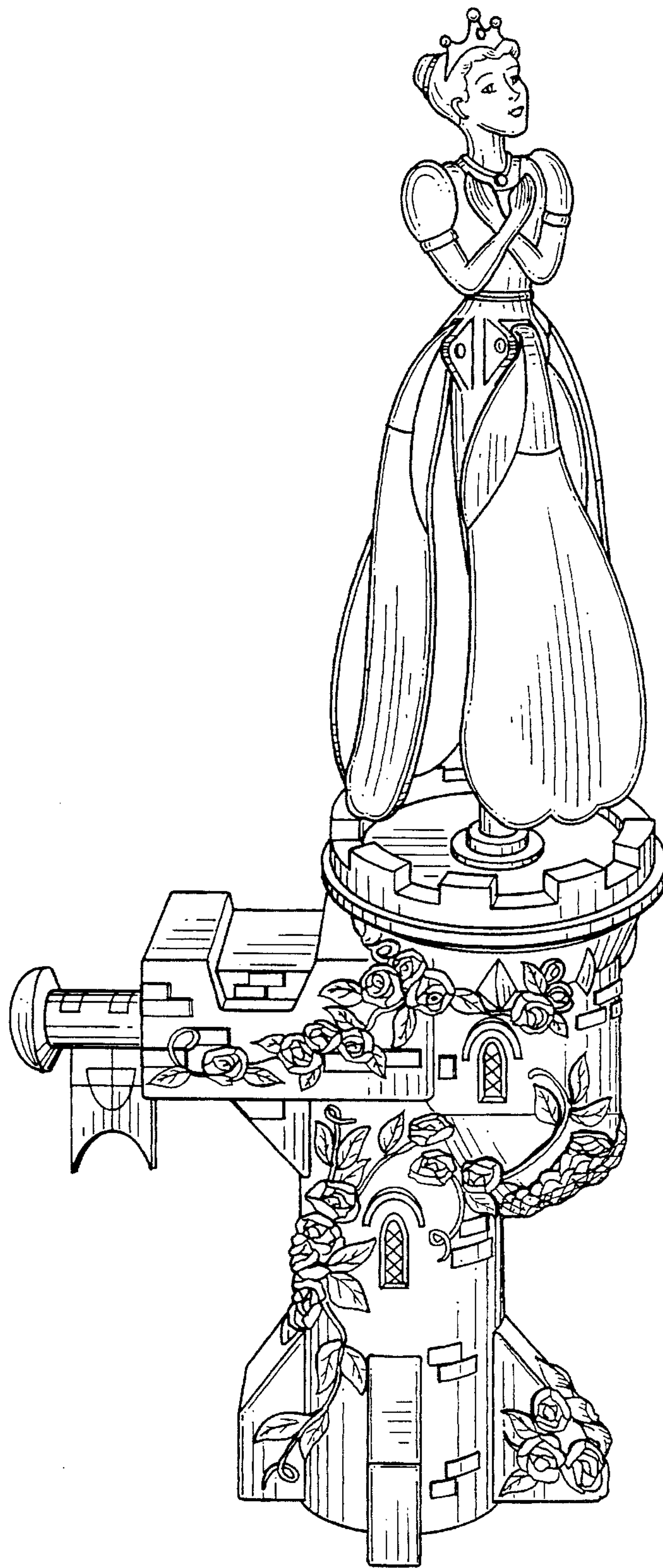


FIG. 1

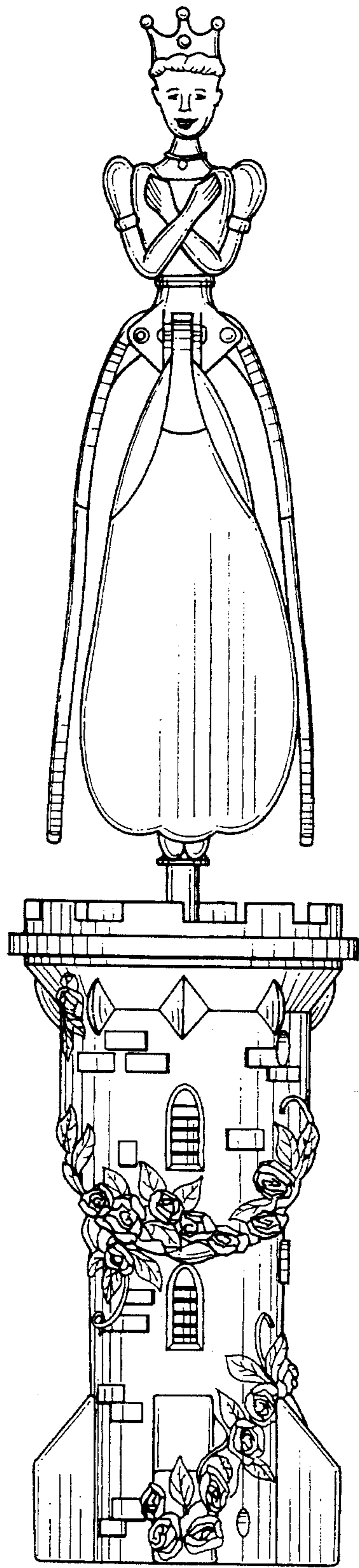


FIG. 2

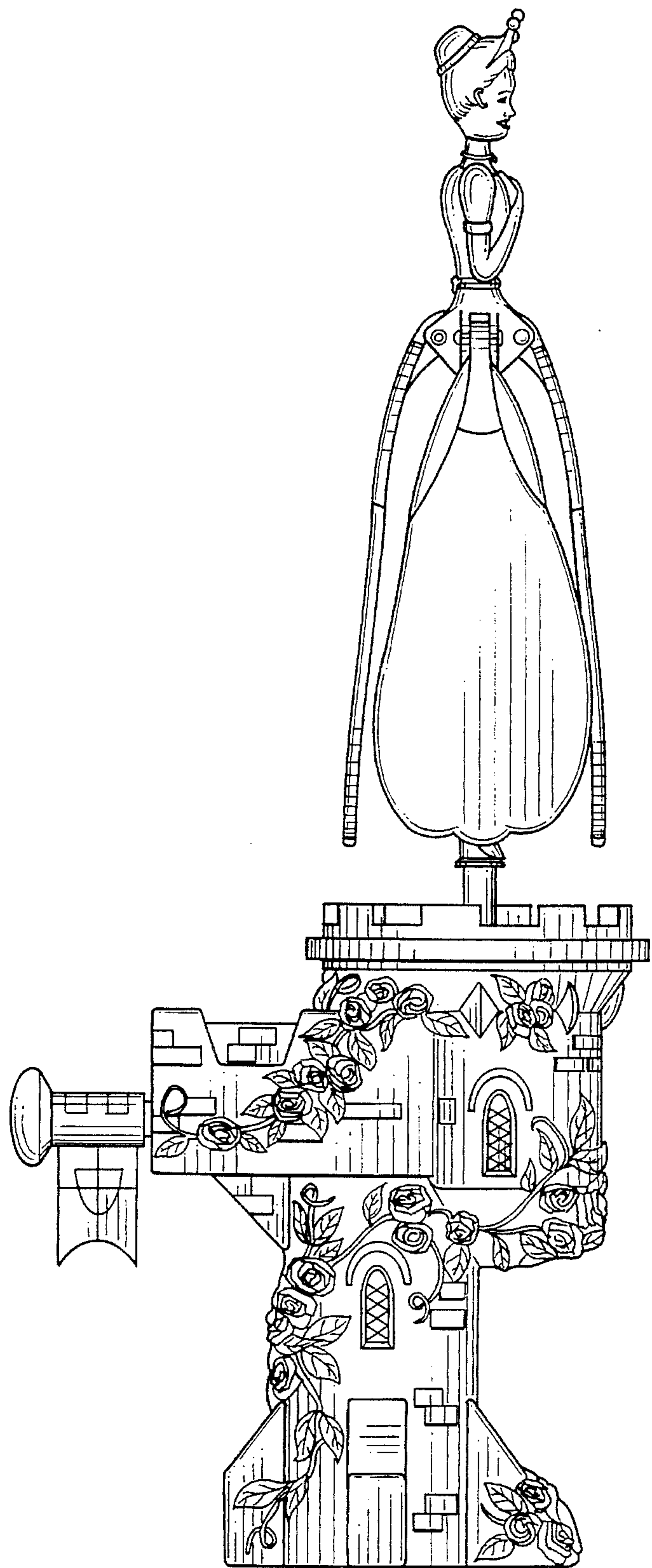


FIG. 3

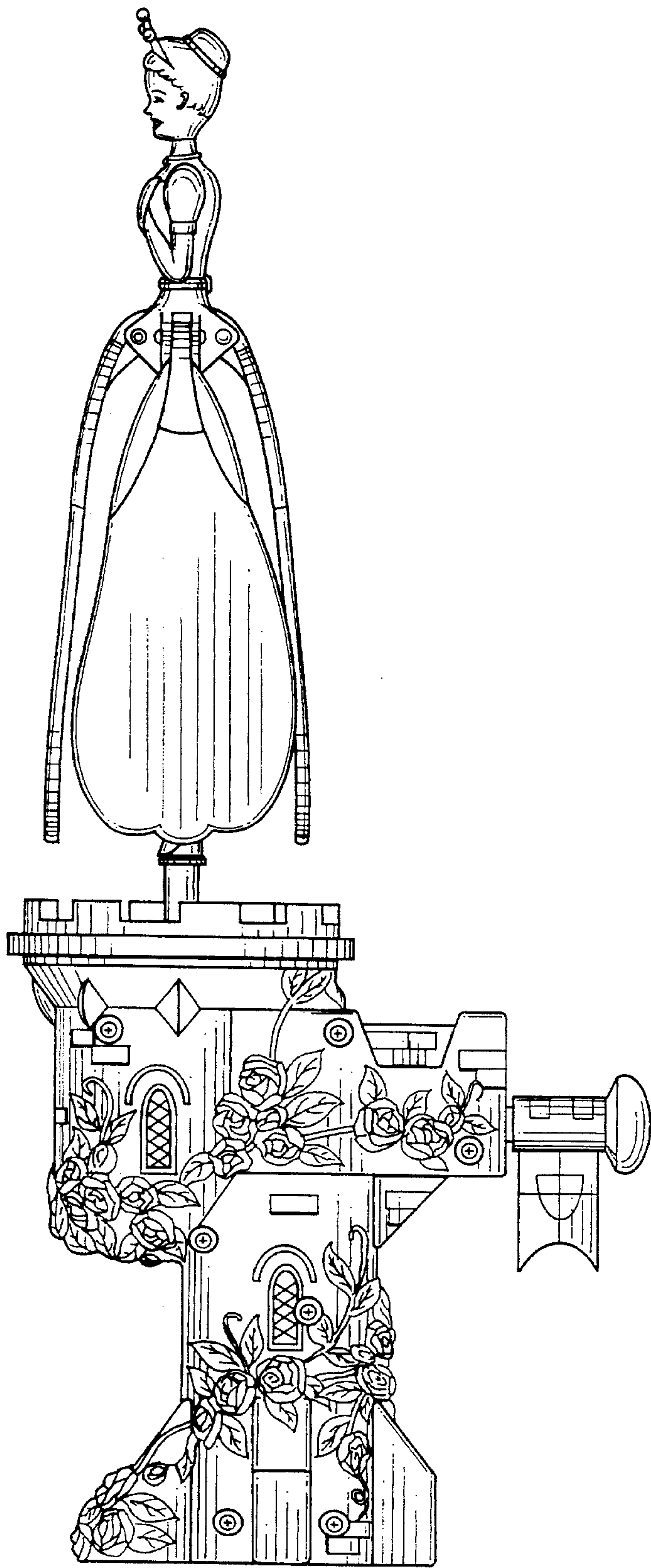


FIG. 4

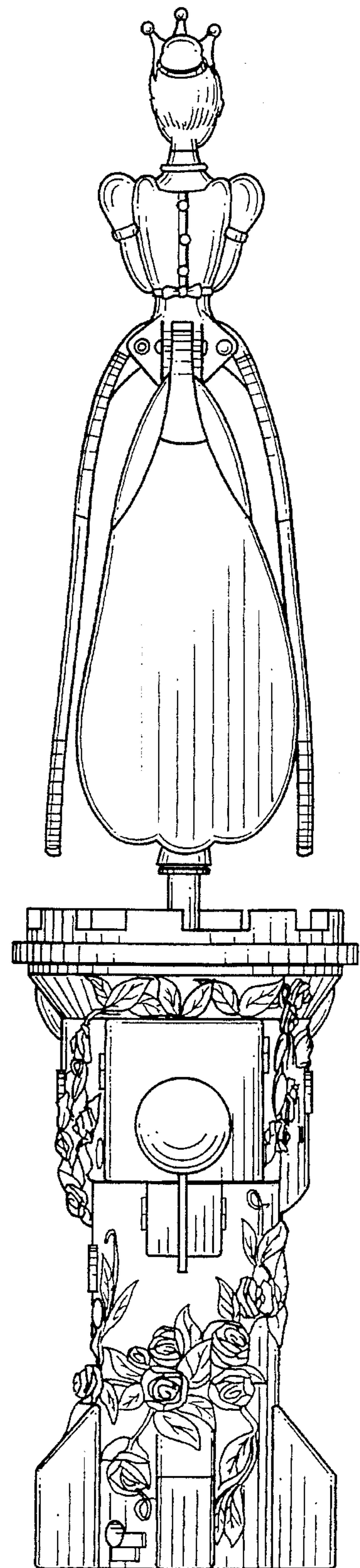


FIG. 5

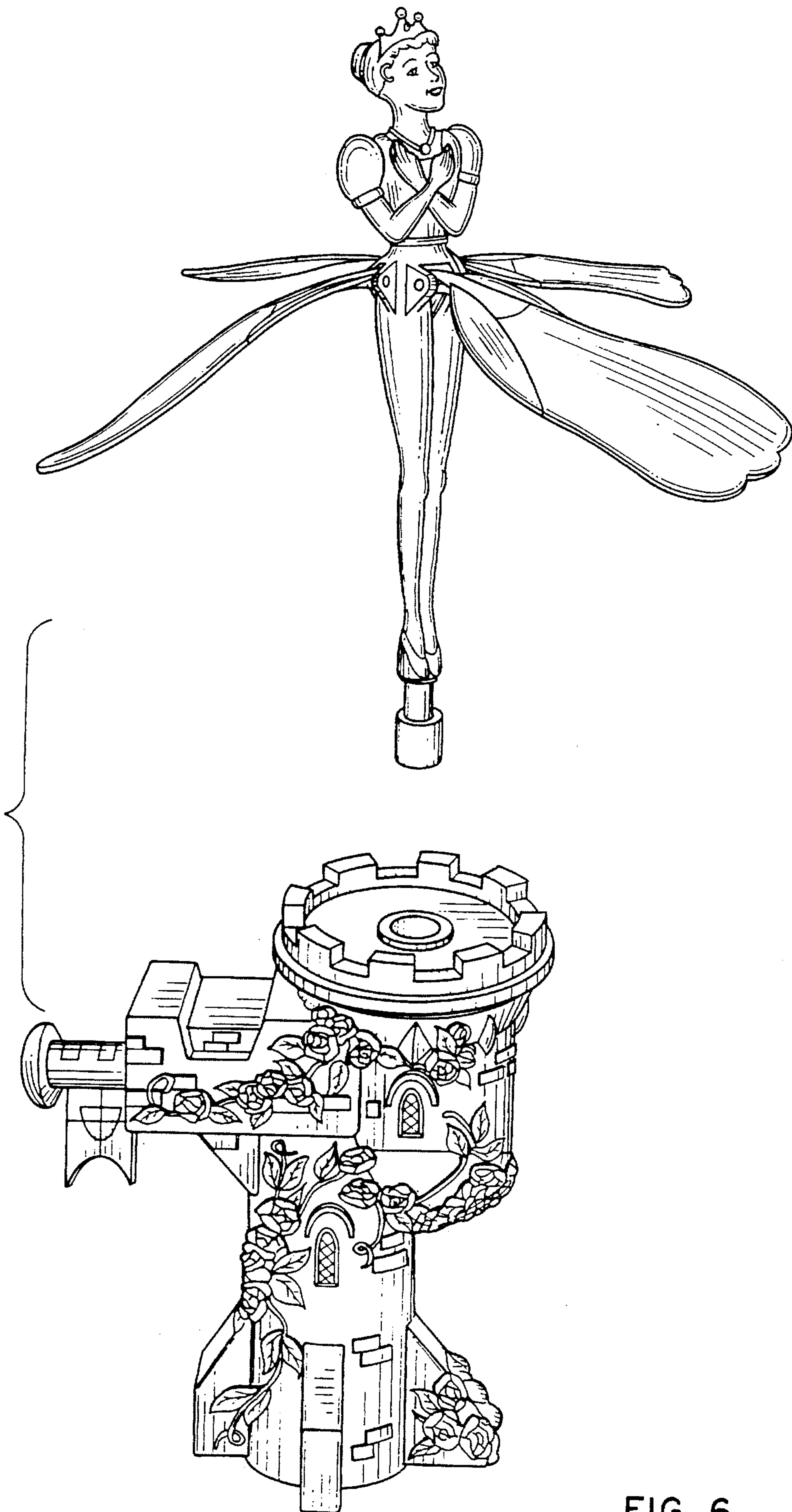


FIG. 6