



US00D372274S

United States Patent [19]

Douglas et al.

[11] Patent Number: **Des. 372,274**

[45] Date of Patent: ****Jul. 30, 1996**

[54] **GAME ADAPTER CARTRIDGE**

5,362,068 11/1994 Liu 273/435

[75] Inventors: **Alsup J. Douglas**, Convers; **William J. Saunders**, Lithonia, both of Ga.

Primary Examiner—Prabhakar G. Deshmukh
Attorney, Agent, or Firm—Steven C. Stewart; Frederick W. Powers, III; John V. Pezdek

[73] Assignee: **Scientific-Atlanta, Inc.**, Norcross, Ga.

[57] **CLAIM**

[**] Term: **14 Years**

The ornamental design for a game adapter cartridge, as shown and described.

[21] Appl. No.: **27,494**

DESCRIPTION

[22] Filed: **Aug. 23, 1994**

[52] U.S. Cl. **D21/48**

[58] **Field of Search** D21/13, 48; 273/148 B, 273/435, DIG. 28; D14/121; 242/335, 336, 337

FIG. 1 is a perspective view of game adaptive cartridge showing our new design;
FIG. 2 is a front elevation view thereof;
FIG. 3 is a top plan view thereof;
FIG. 4 is a bottom plan view thereof;
FIG. 5 is a rear elevation view thereof; and,
FIG. 6 is a right side view thereof, with the left side view being the mirror image thereof.

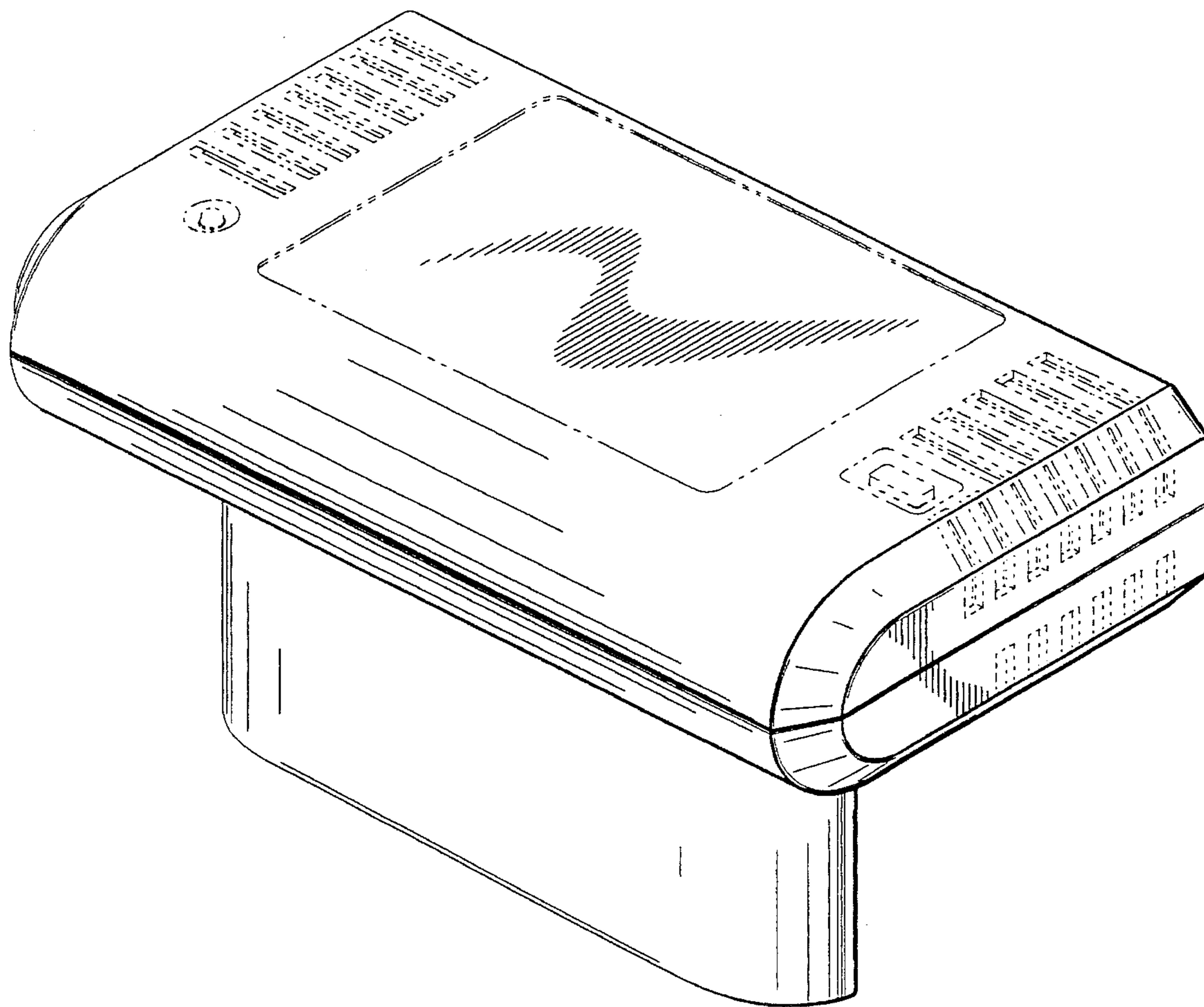
[56] **References Cited**

U.S. PATENT DOCUMENTS

- D. 280,322 8/1985 Velinsky D21/13 X
- D. 315,902 4/1991 Nakauma D14/121
- D. 340,048 10/1993 Tseng D14/121
- 4,596,390 6/1986 Studley 273/148 B

The broken line showing of vents, switches and lights is for illustrative purpose only and forms no part of the claim.

1 Claim, 3 Drawing Sheets



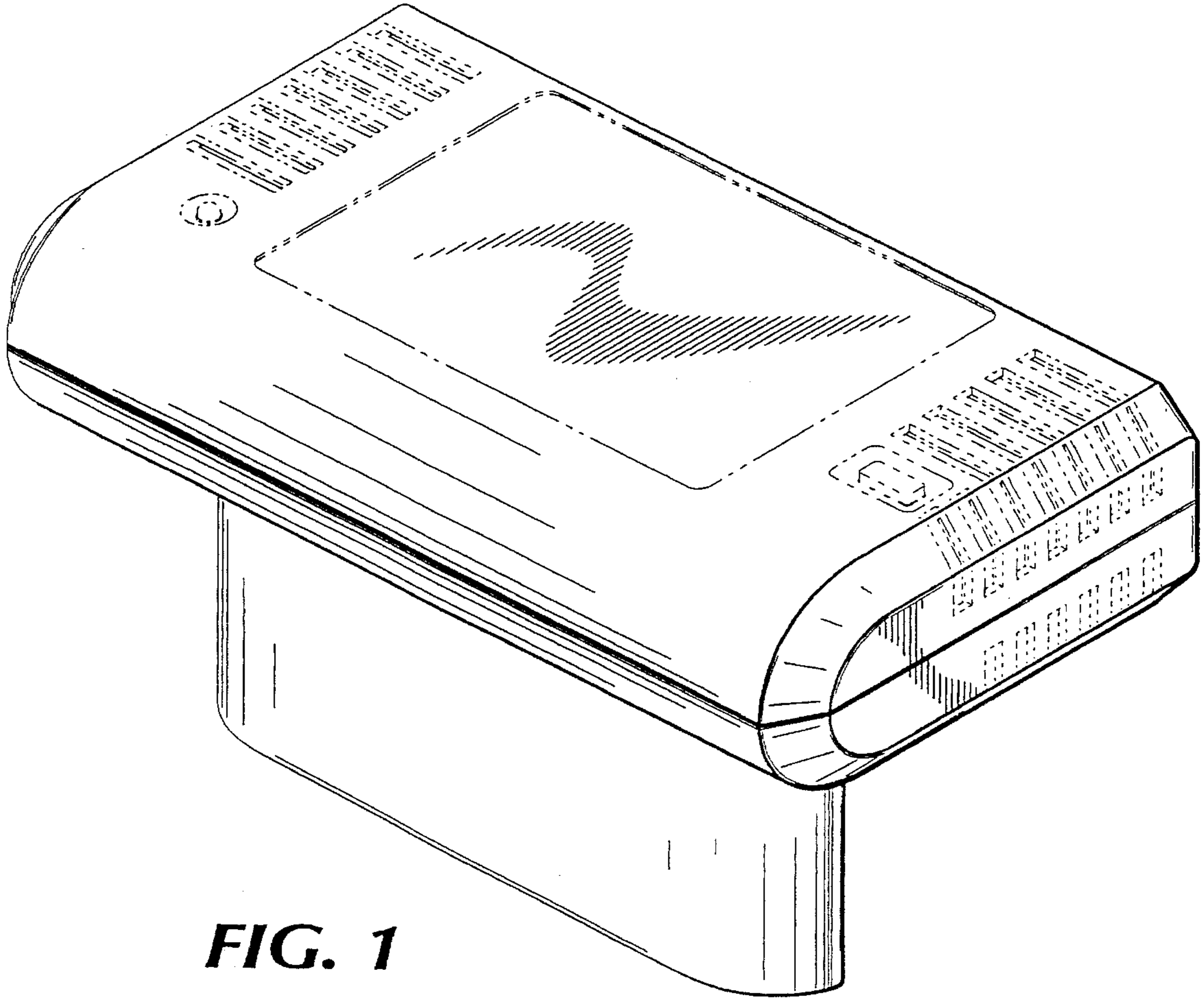


FIG. 1

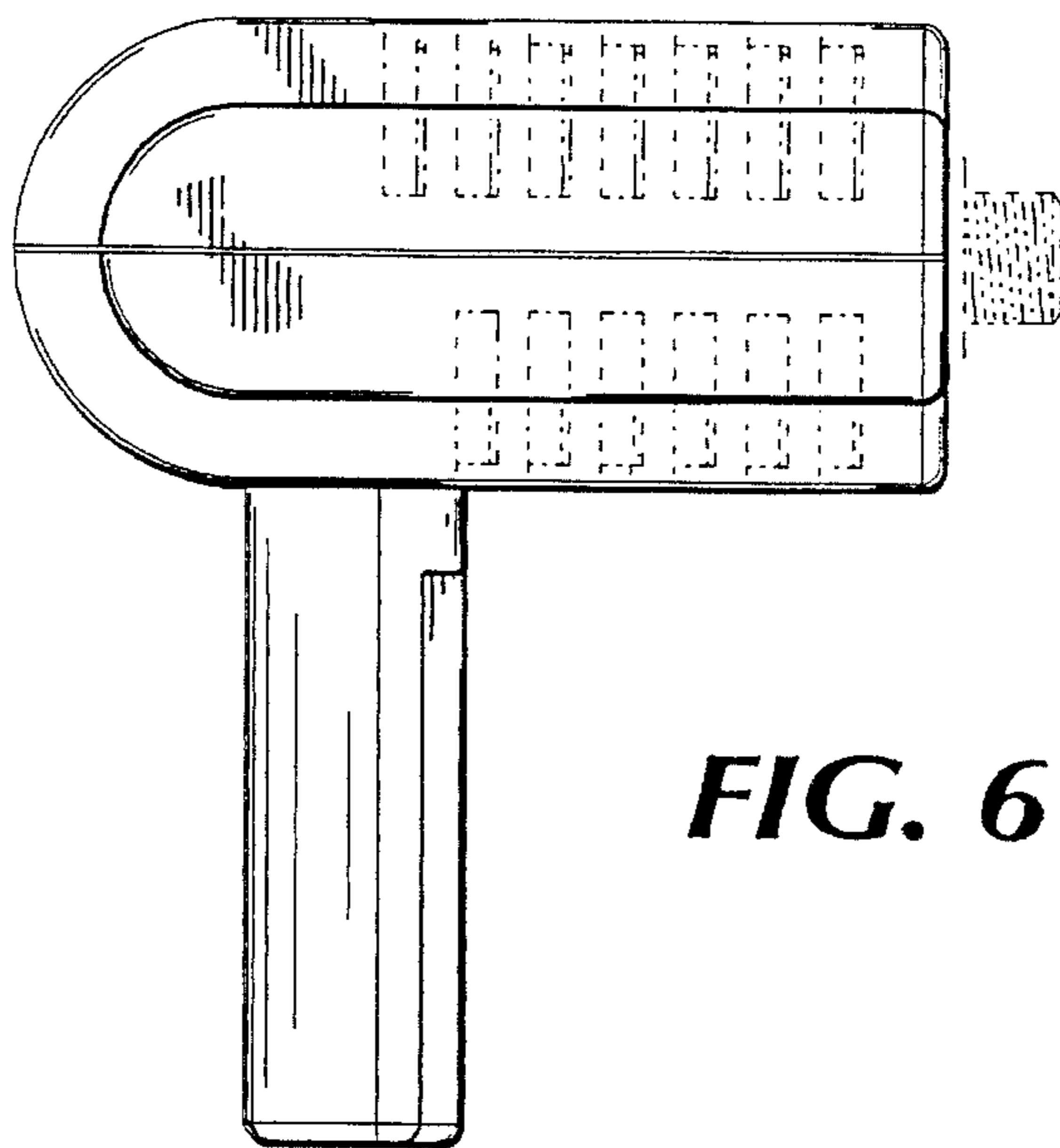


FIG. 6

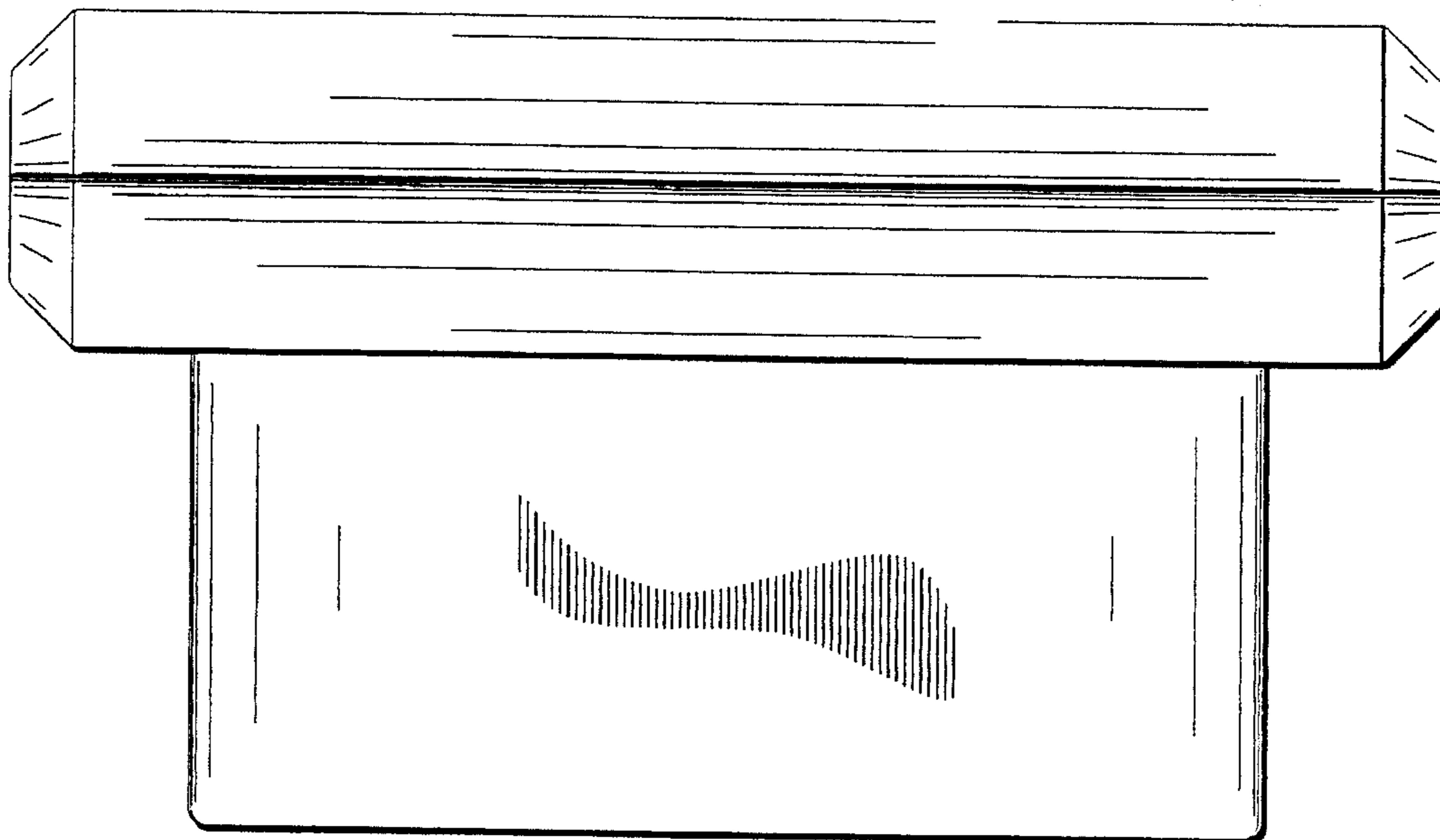


FIG. 2

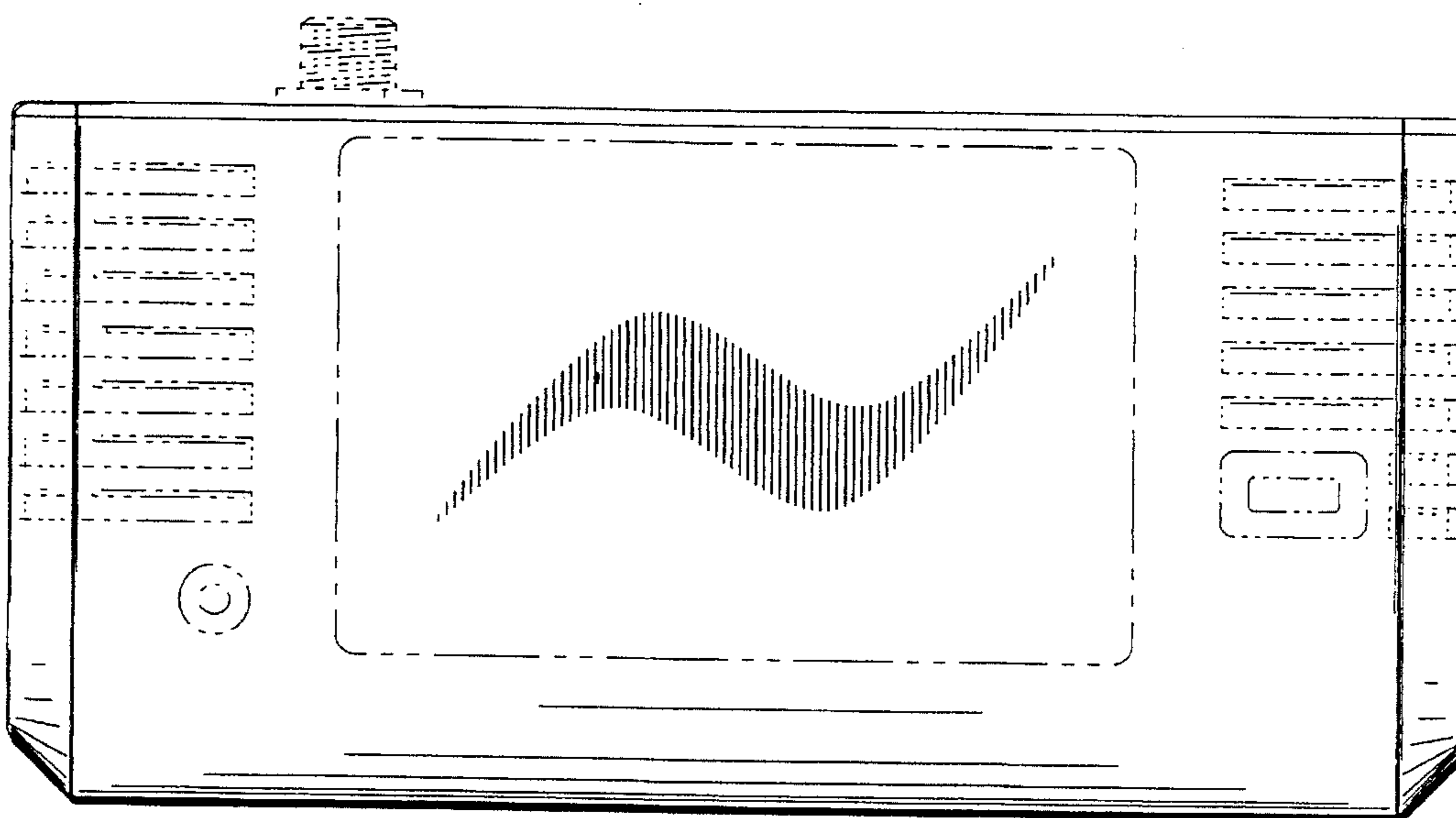


FIG. 3

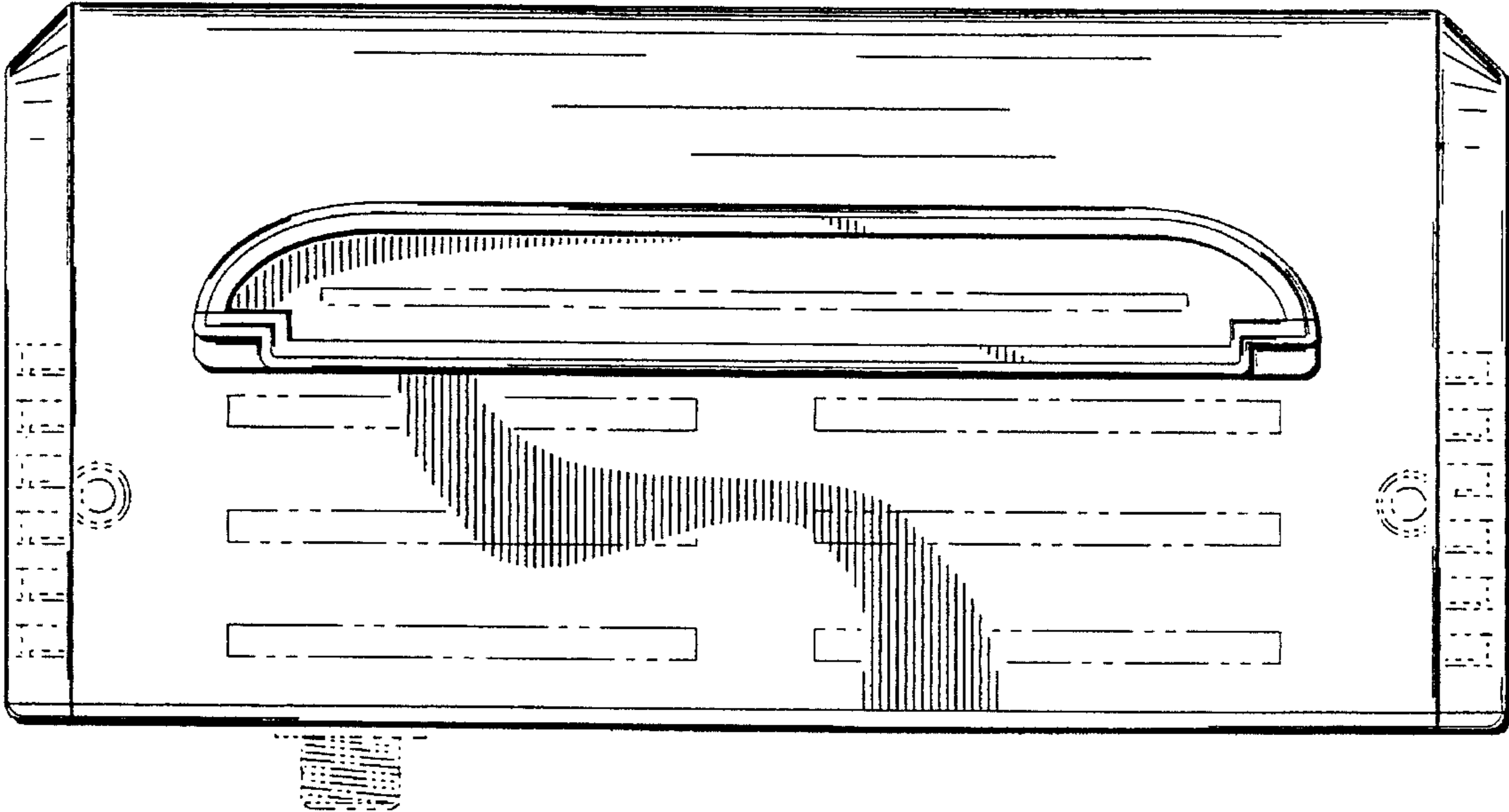


FIG. 4

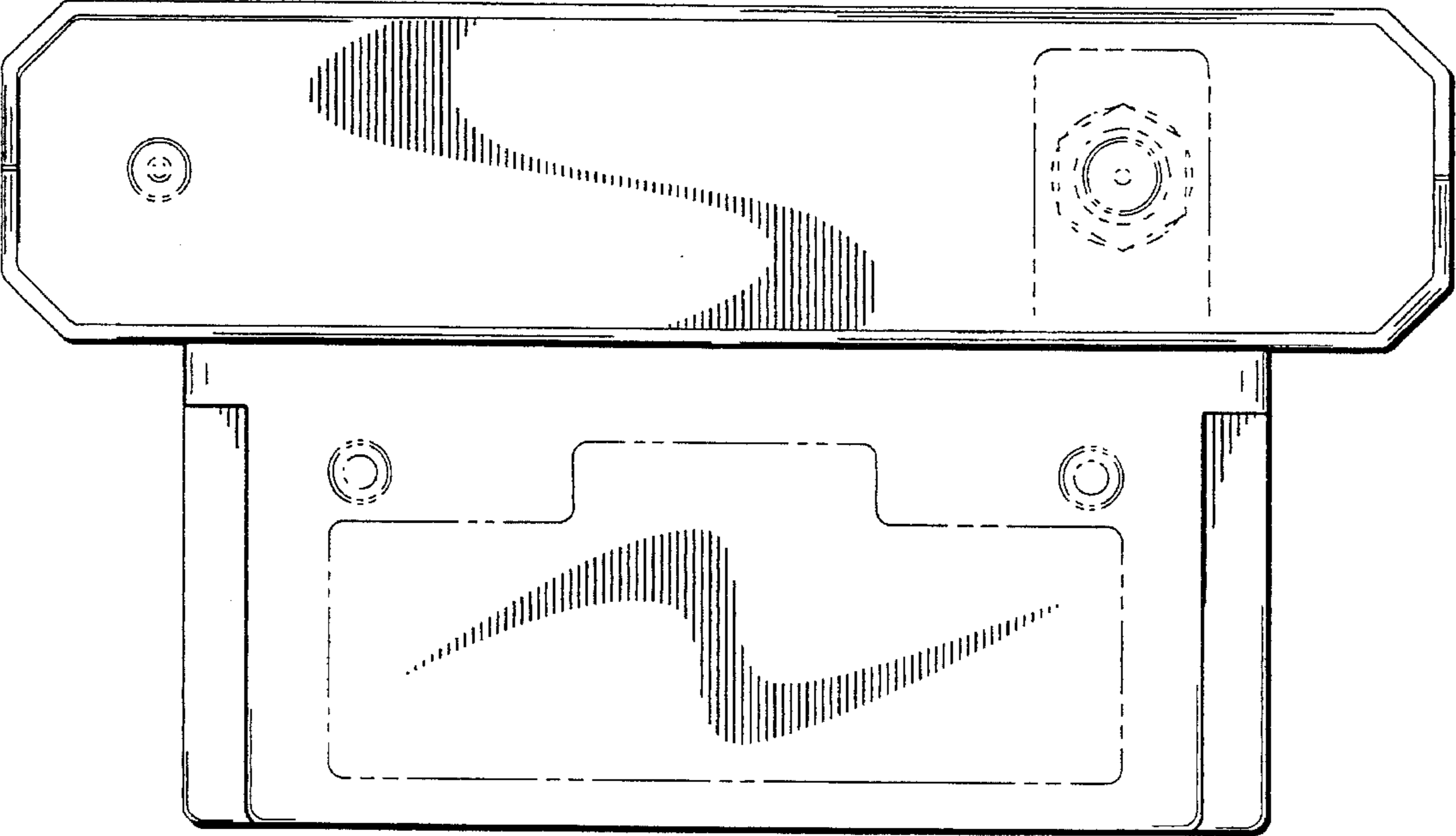


FIG. 5