



US00D372270S

United States Patent [19]

[11] Patent Number: **Des. 372,270**

Jones et al.

[45] Date of Patent: ***** Jul. 30, 1996**

[54] **SOLID INK STICK FOR A COLOR PRINTER**

[75] Inventors: **Brent R. Jones**, Tualatin; **Clark W. Crawford**, Wilsonville; **John A. Wright**, Molalla, all of Oreg.

[73] Assignee: **Tektronix, Inc.**, Wilsonville, Oreg.

[*] Notice: The portion of the term of this patent subsequent to Jul. 16, 2010, has been disclaimed.

[**] Term: **14 Years**

[21] Appl. No.: **41,773**

[22] Filed: **May 11, 1995**

4,851,045	7/1989	Taniguchi	106/31 R
5,105,209	4/1992	Koto et al.	347/88
5,123,961	6/1992	Yamamoto	106/31 R
5,124,719	6/1992	Matsuzaki	347/88
5,170,187	12/1992	Oikawa	347/88
5,223,860	6/1993	Loofbourow et al.	347/88
5,259,873	11/1993	Fujioka	106/31 R
5,259,874	11/1993	Miller et al.	347/99
5,270,730	12/1993	Yaegashi et al.	106/31 R
5,341,164	8/1994	Miyazawa et al.	347/88
5,405,438	4/1995	Fujioka	106/31 A

FOREIGN PATENT DOCUMENTS

4093258	3/1992	Japan	347/99
6041482	2/1994	Japan	106/31 R
6-143558	5/1994	Japan	347/99
9110711	7/1991	WIPO	106/31 R

Related U.S. Application Data

- [63] Continuation-in-part of Ser. No. 33,835, Jan. 20, 1995.
- [52] **U.S. Cl.** **D18/56**
- [58] **Field of Search** D18/40, 56; 106/31 A, 106/31 R; 347/86-88, 99; D24/100-103; D1/100-101

Primary Examiner—Cathy Anne MacCormac
Attorney, Agent, or Firm—Ralph D'Alessandro

[57] CLAIM

The ornamental design for a solid ink stick for a color printer, as shown and described.

DESCRIPTION

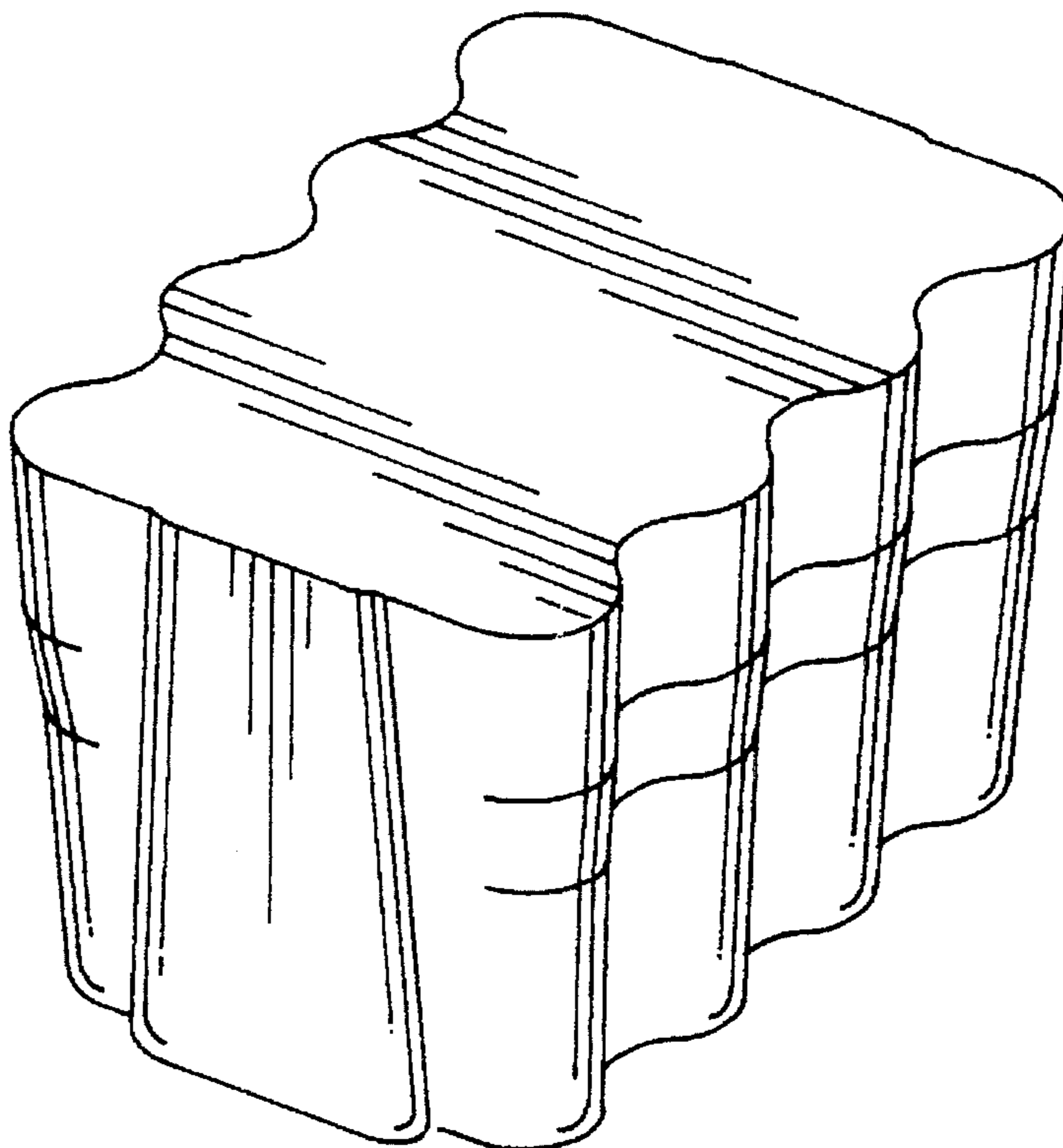
FIG. 1 is a front perspective view of a solid ink stick for a color printer showing our new design; FIG. 2 is a top plan view thereof; FIG. 3 is a side elevational view thereof the opposite side being identical; FIG. 4 is an end elevational view; and, FIG. 5 is a bottom plan view thereof.

References Cited

U.S. PATENT DOCUMENTS

D. 310,130	8/1990	van Kooten	D1/100
D. 335,683	5/1993	Smith	D18/56
D. 346,821	5/1994	Smith	D18/56
4,361,843	11/1982	Cooke et al.	347/99
4,808,227	2/1989	Yuasa et al.	106/31 A
4,823,146	4/1989	Cooke et al.	347/86

1 Claim, 1 Drawing Sheet



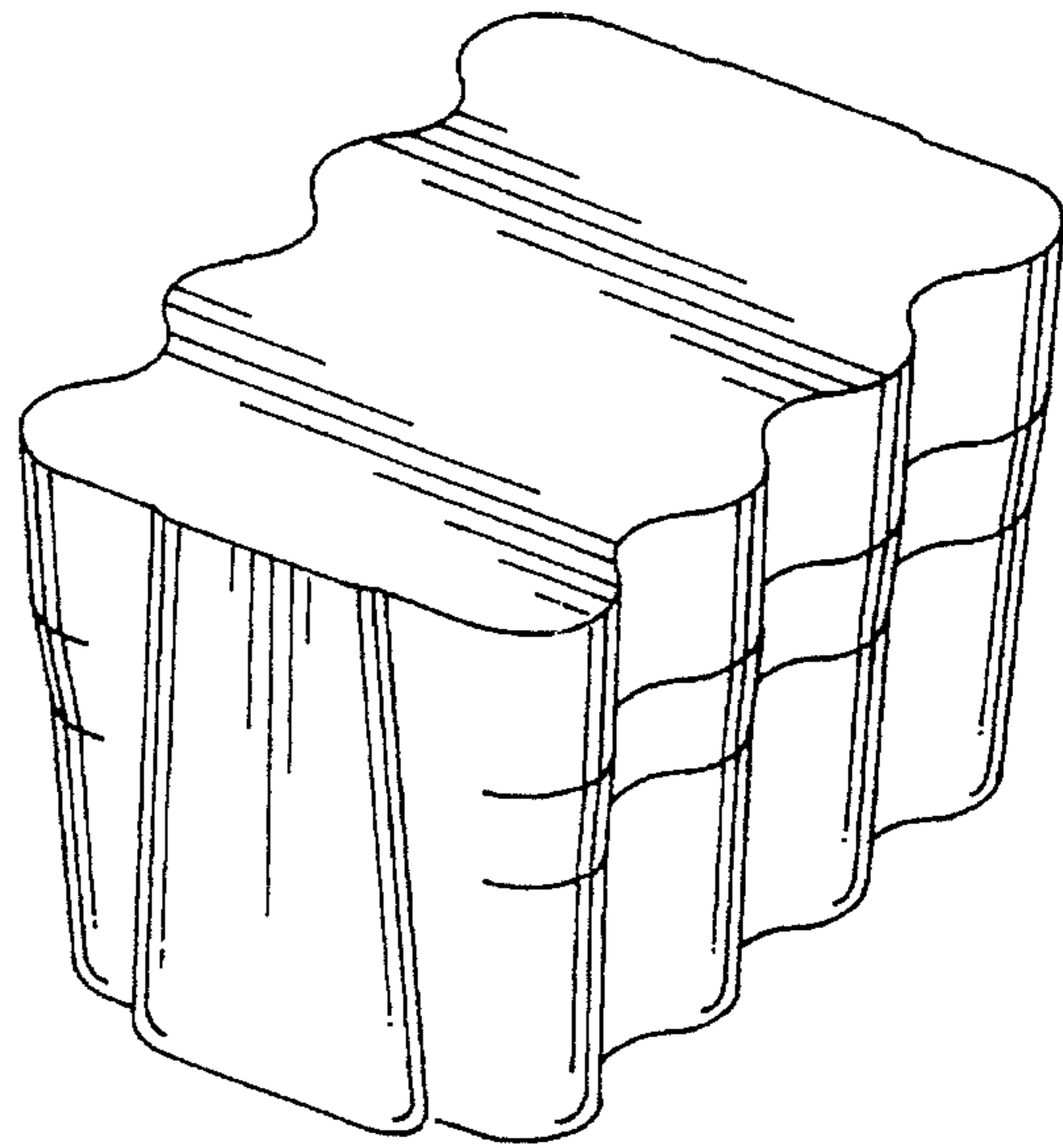


Fig. 1

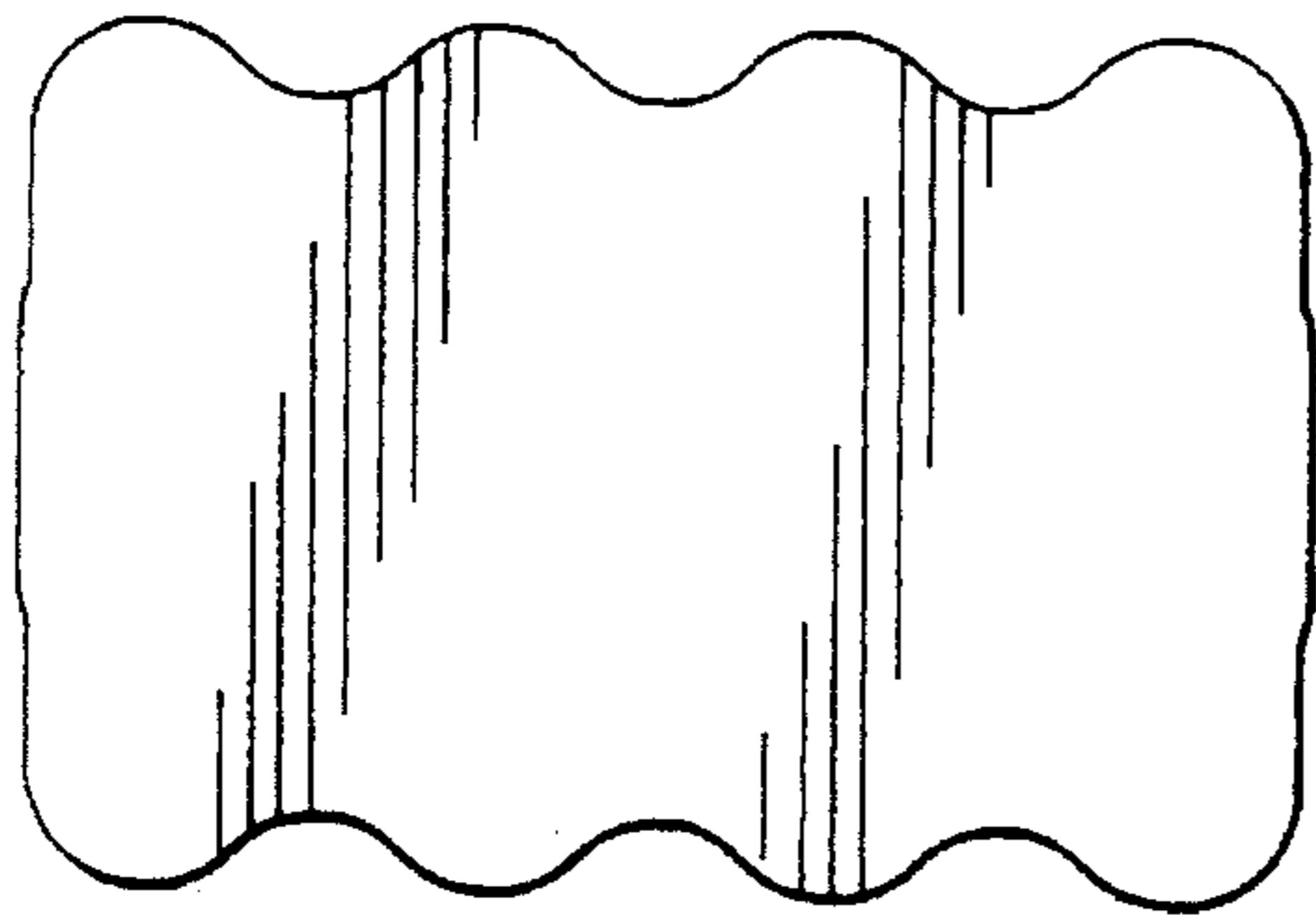


Fig. 2

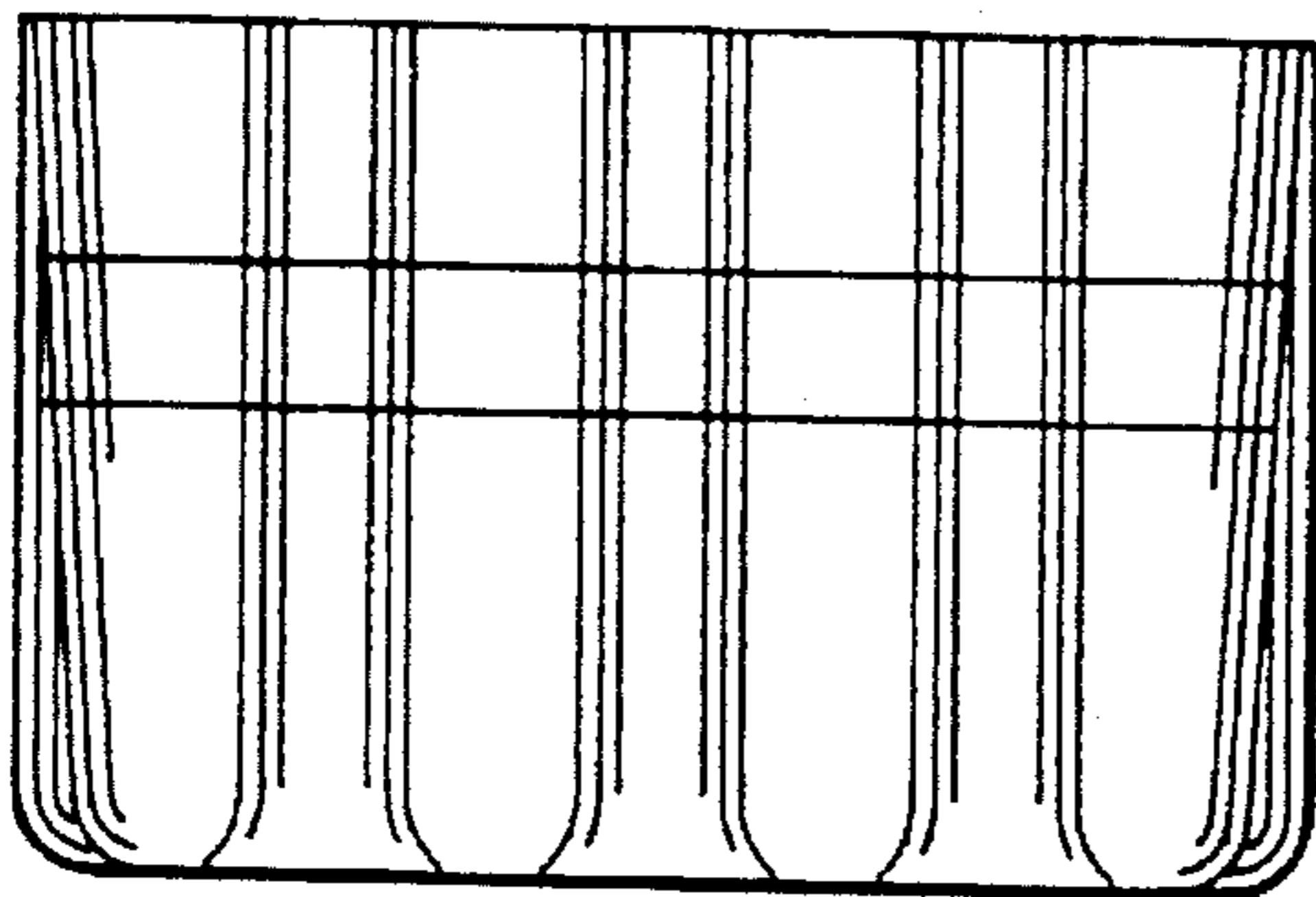


Fig. 3

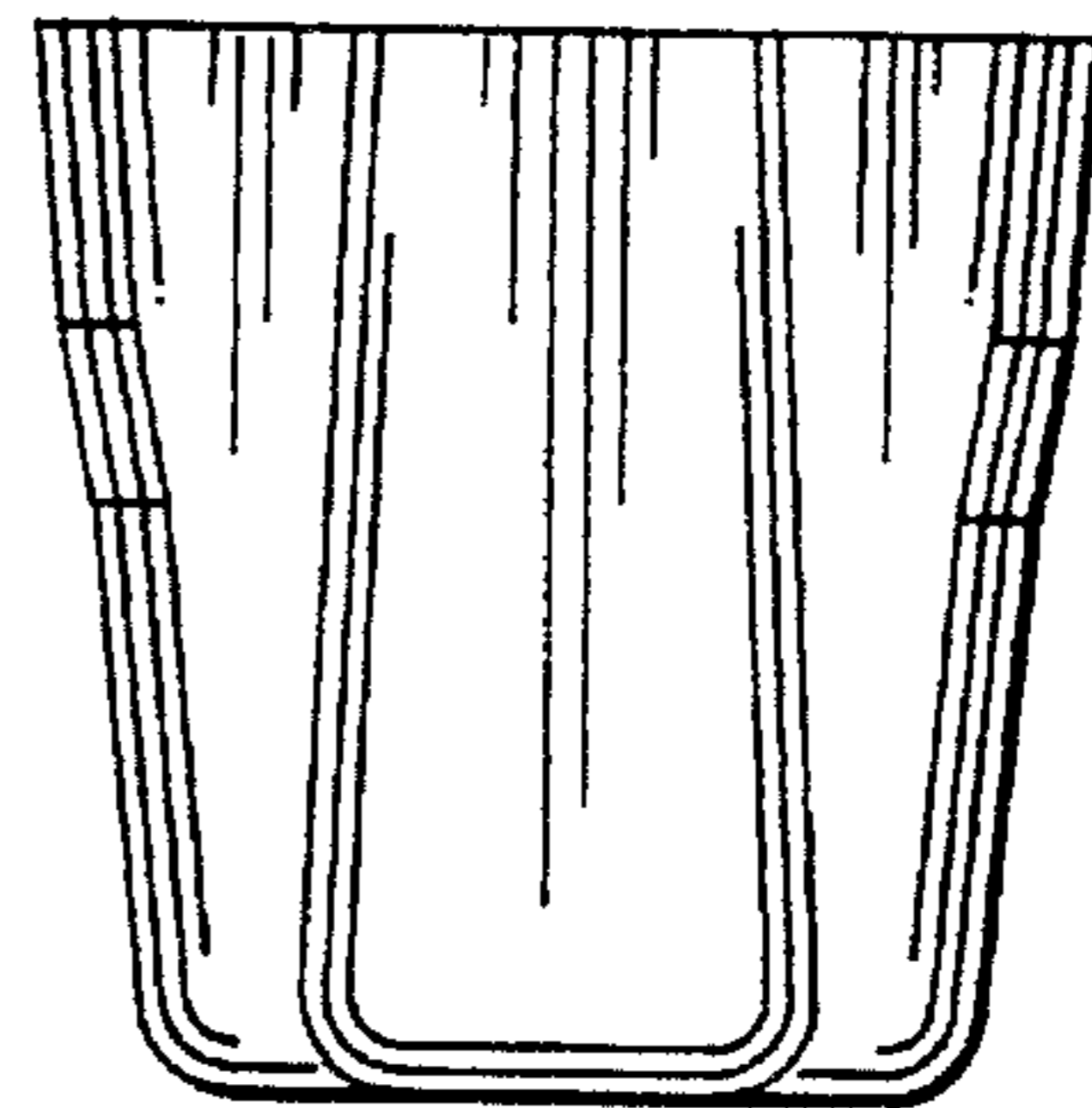


Fig. 4

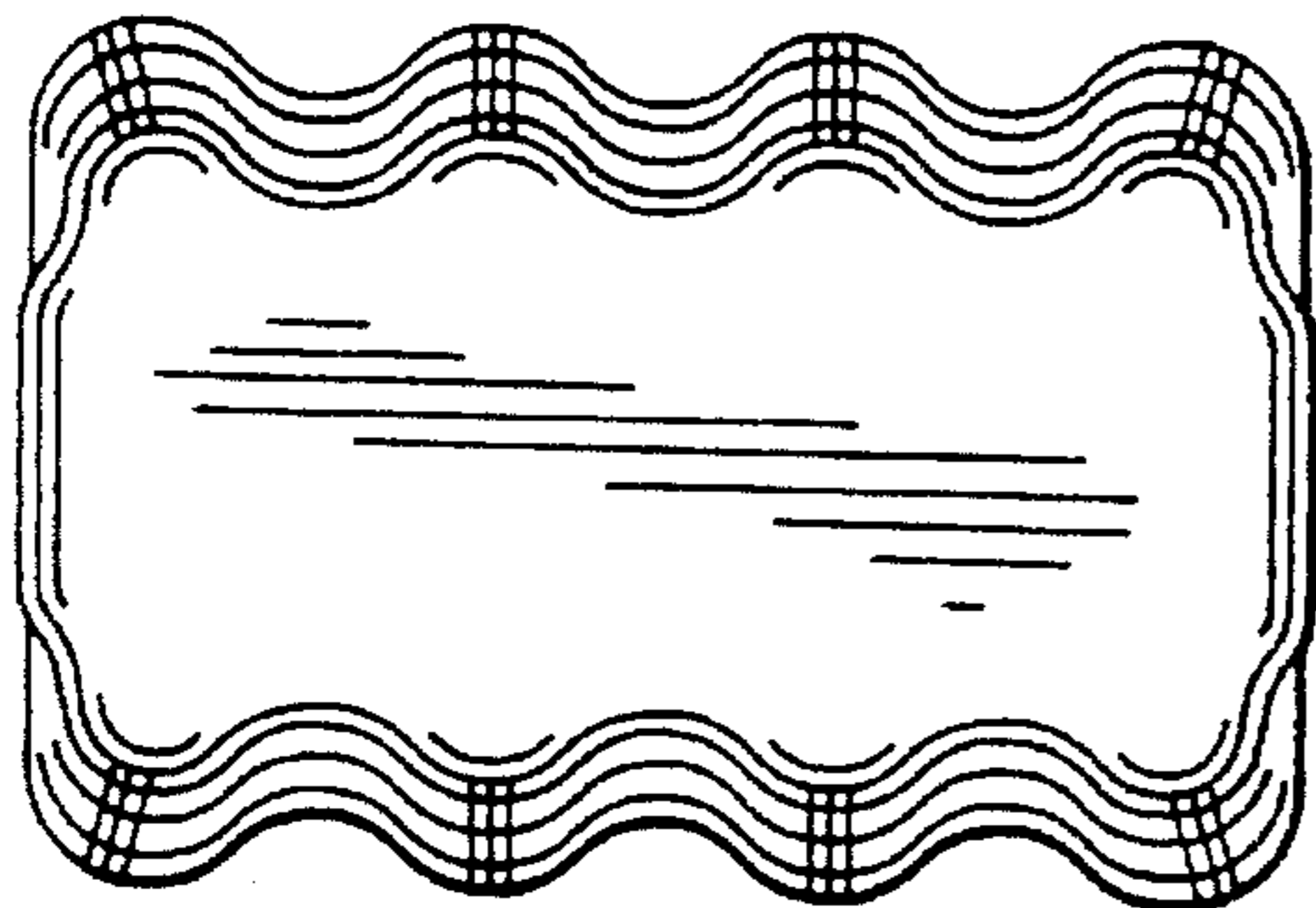


Fig. 5