



US00D372264S

United States Patent [19]

Peck et al.

[11] Patent Number: **Des. 372,264**

[45] Date of Patent: ****Jul. 30, 1996**

[54] **COPY MACHINE TOP PANEL**

[75] Inventors: **Walter D. Peck**, Tigard, Oreg.; **Mark West**, Tehachapi, Calif.

[73] Assignee: **Book Support Systems, Inc.**, Tigard, Oreg.

[**] Term: **14 Years**

[21] Appl. No.: **35,676**

[22] Filed: **Mar. 2, 1995**

[52] U.S. Cl. **D18/41**

[58] Field of Search D18/36-46; 248/441.1, 248/441.2, 445, 447; 281/45; 355/72, 75, 230, 231

[56] **References Cited**

U.S. PATENT DOCUMENTS

D. 353,830	12/1994	Peck	D18/40
D. 353,831	12/1994	Peck	D18/41
4,882,603	11/1989	Sakata	355/75

Primary Examiner—Alan P. Douglas
Assistant Examiner—S. Snapp
Attorney, Agent, or Firm—Salter & Michaelson

[57] **CLAIM**

The ornamental design for copy machine top panel, as shown and described.

DESCRIPTION

FIG. 1 is a top perspective view of a copy machine top panel showing our new design, the top panel being illustrated on a copy machine shown in broken lines, is for illustrative purposes only and does not form any part of the claimed design;

FIG. 2 is a front elevational view thereof;

FIG. 3 is a rear elevational view thereof;

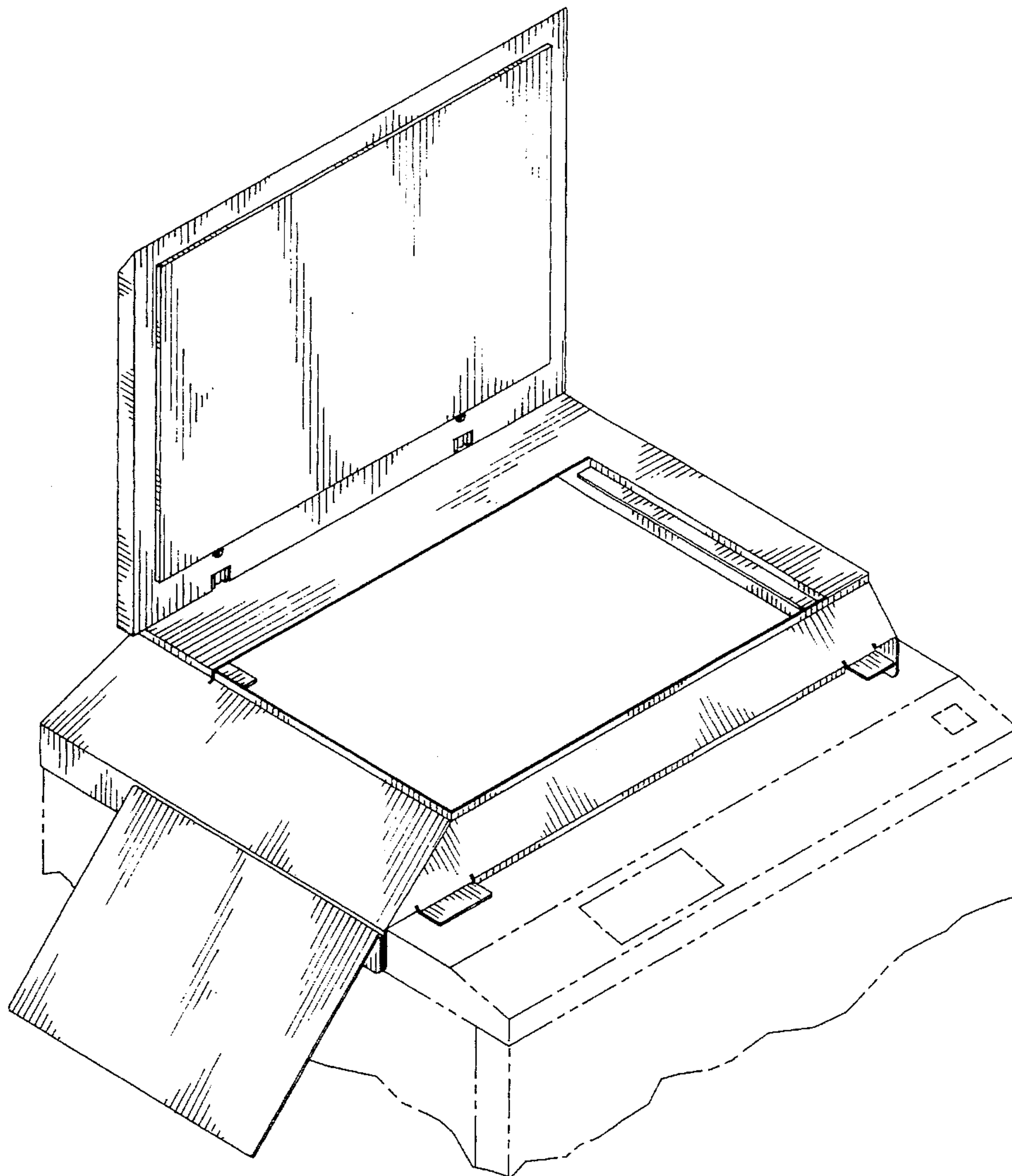
FIG. 4 is a left side elevational view thereof;

FIG. 5 is a right side elevational view thereof;

FIG. 6 is a top plan view thereof; and,

FIG. 7 is a bottom plan view thereof.

1 Claim, 4 Drawing Sheets



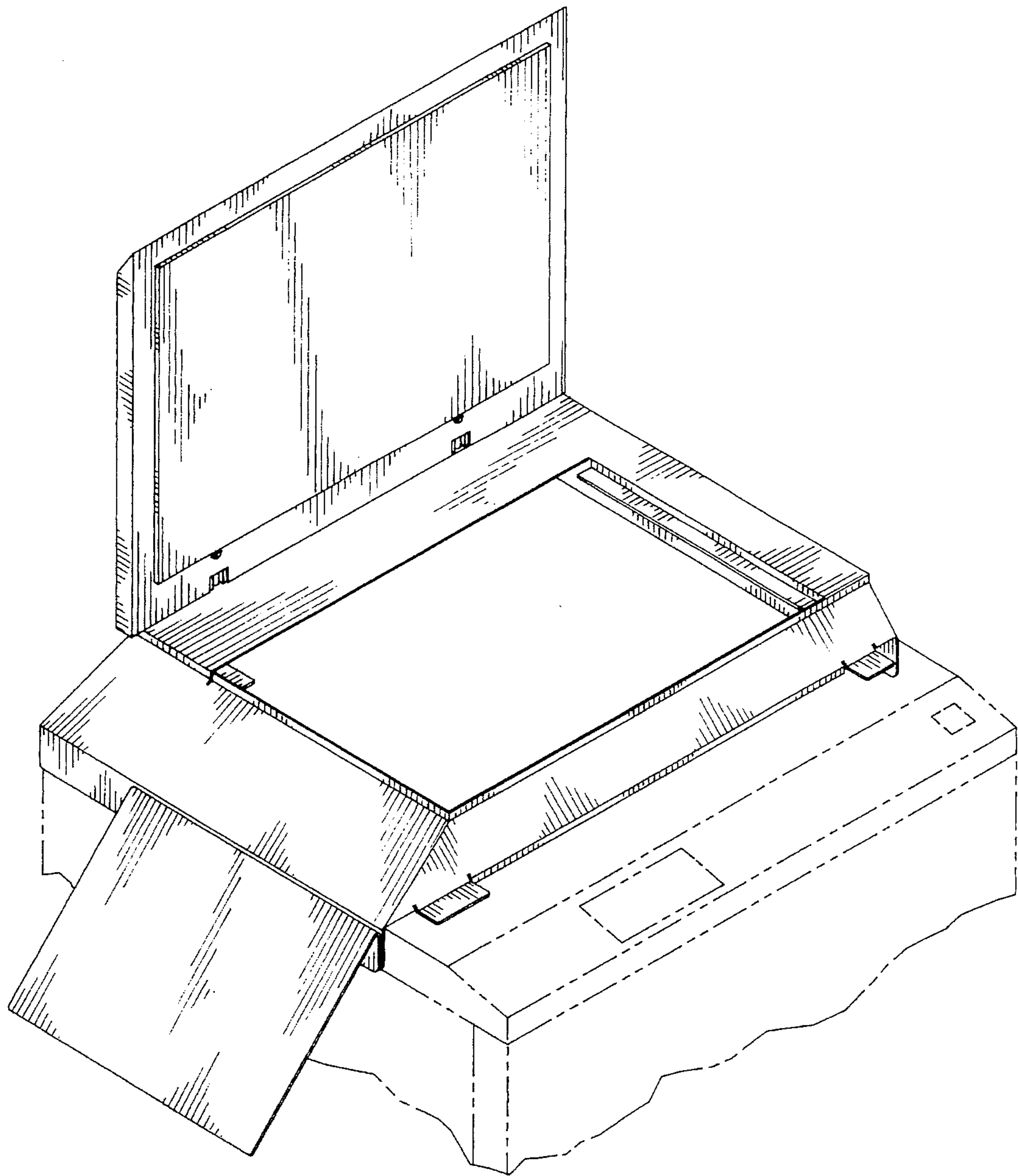


FIG. 1

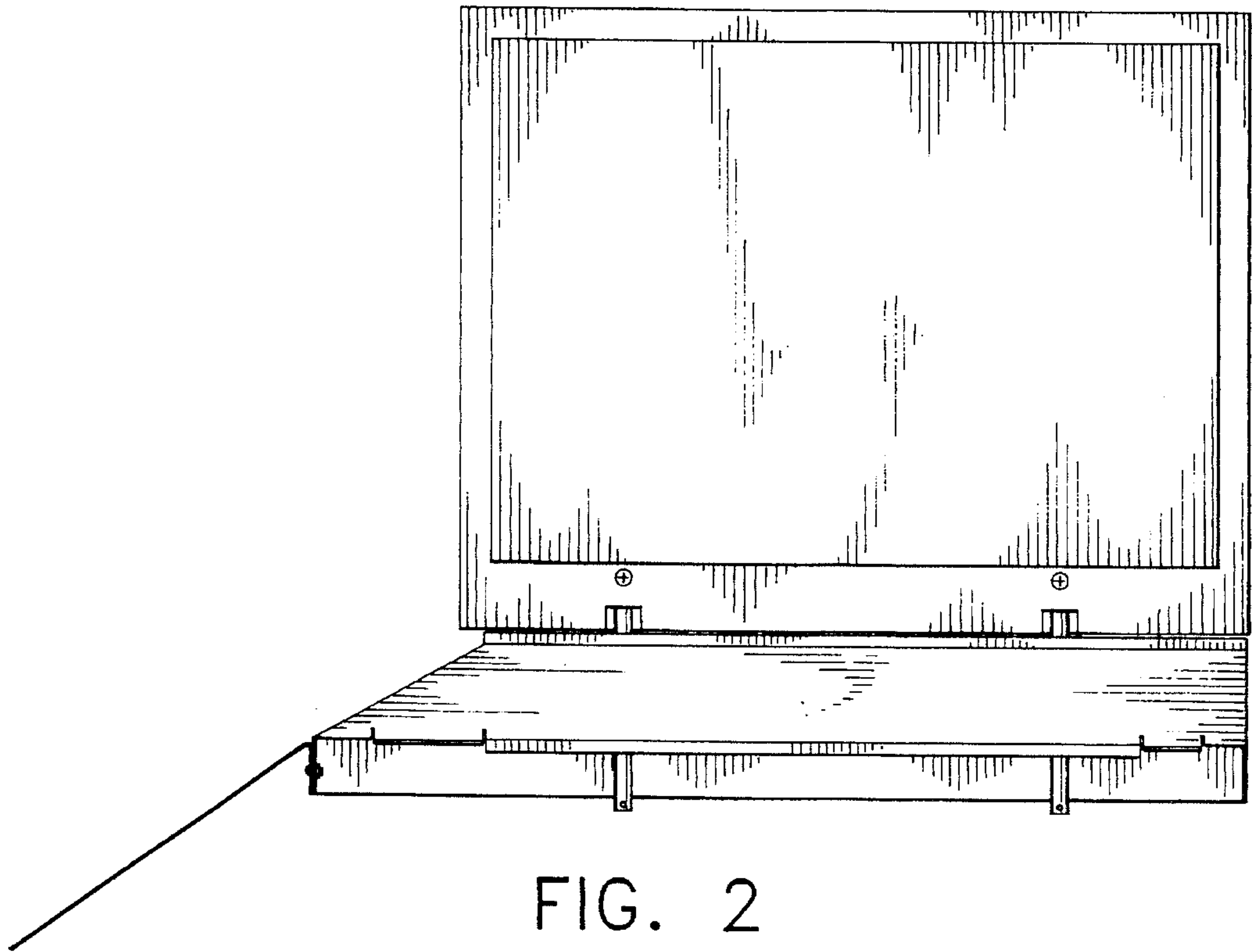


FIG. 2

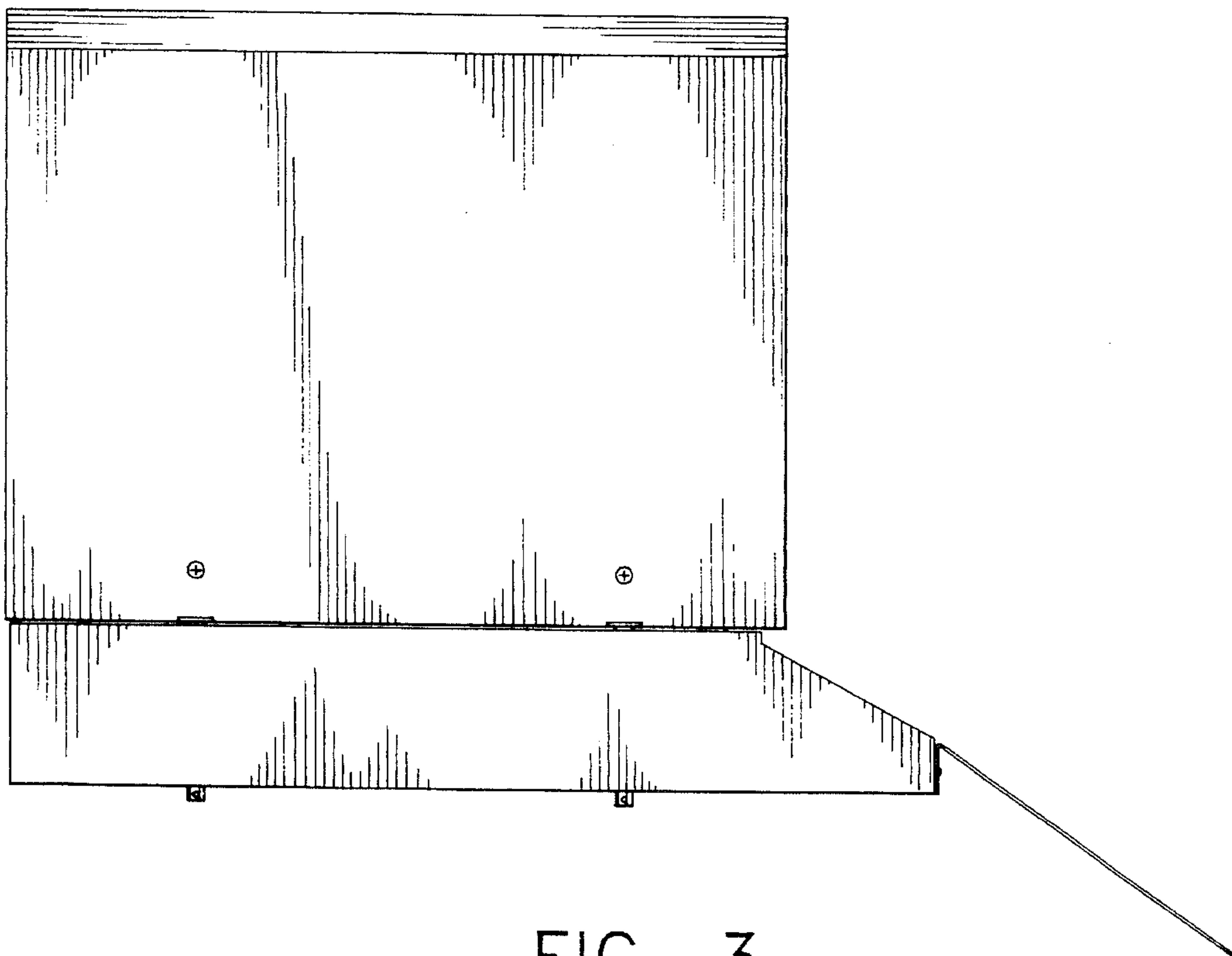


FIG. 3

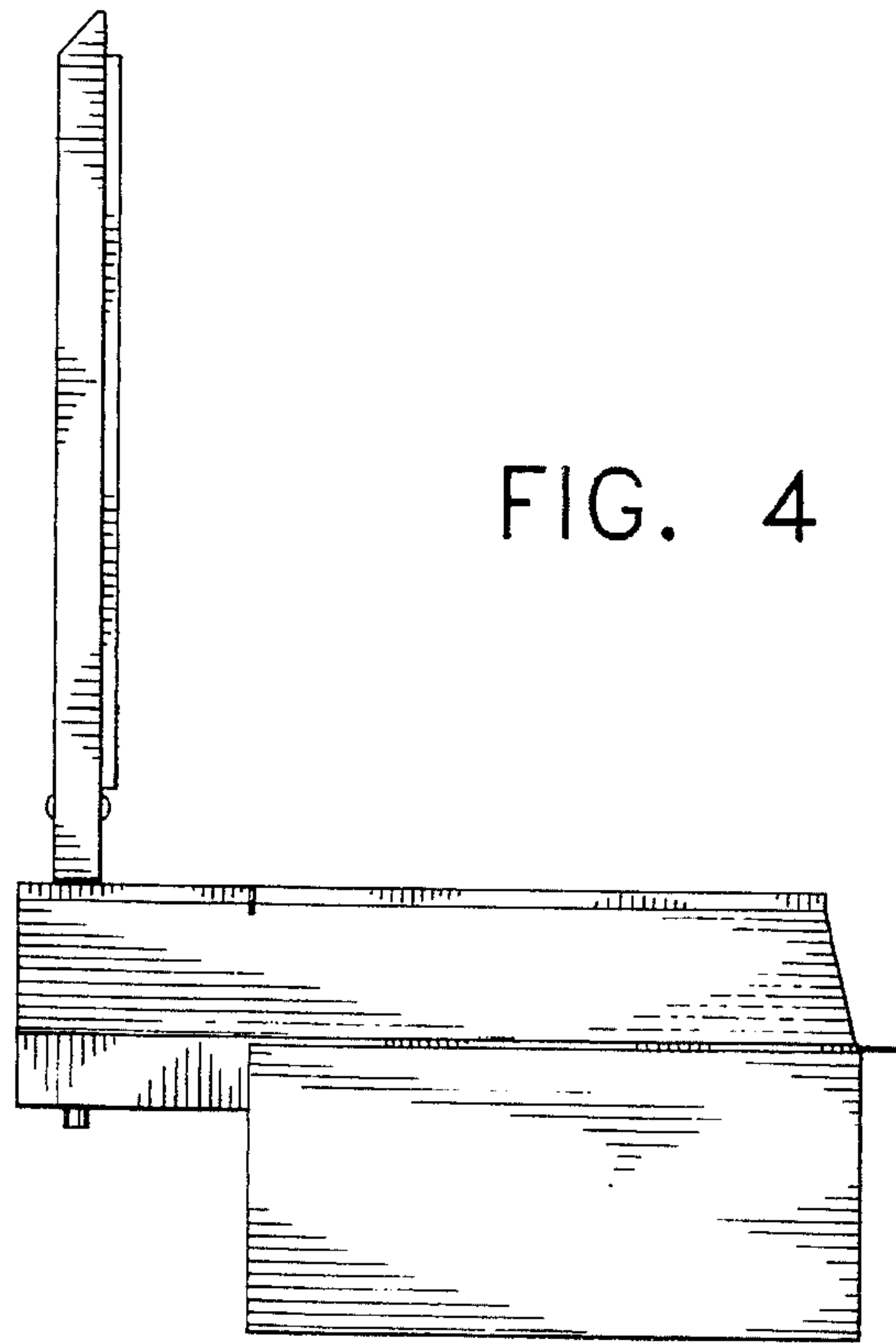


FIG. 4

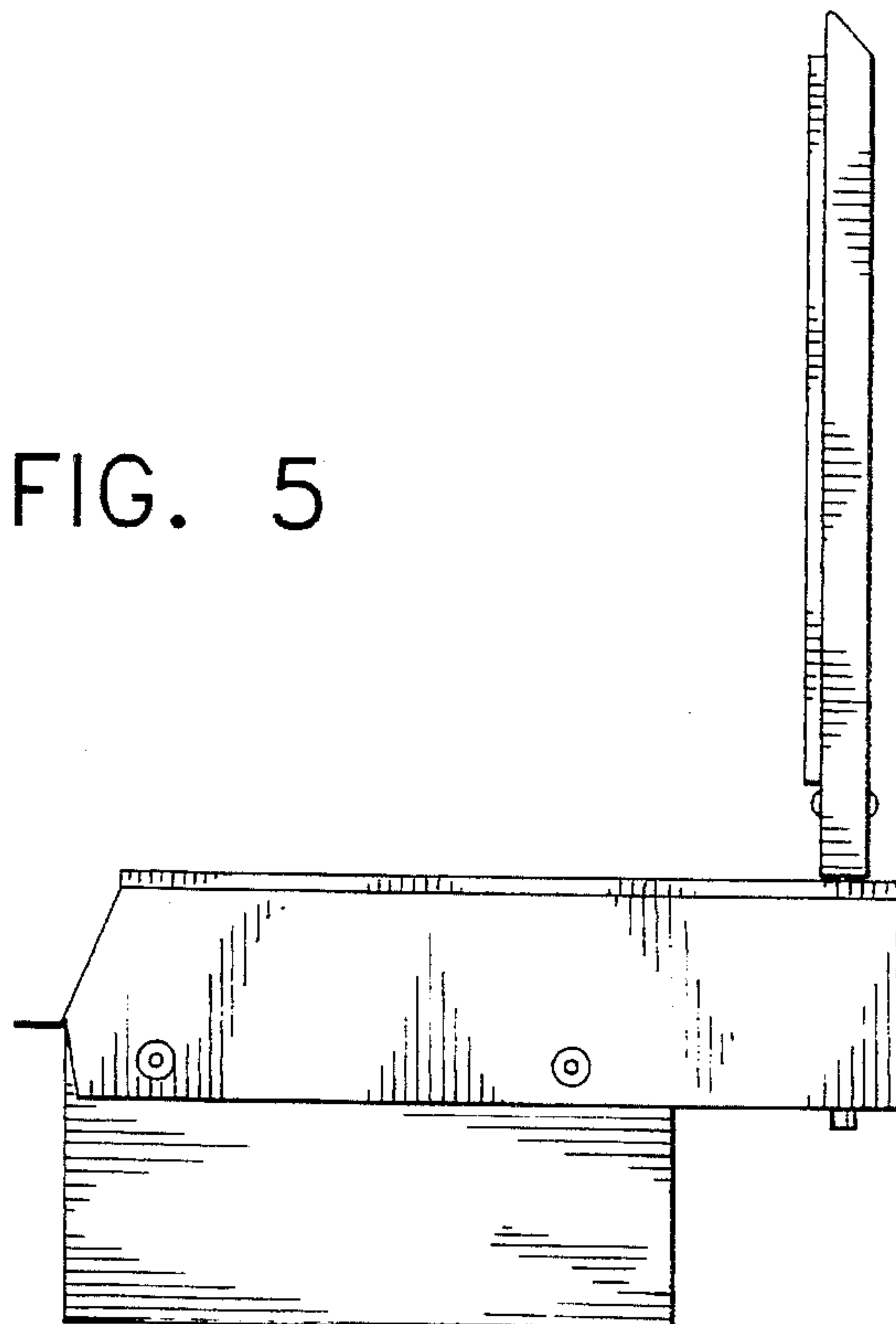


FIG. 5

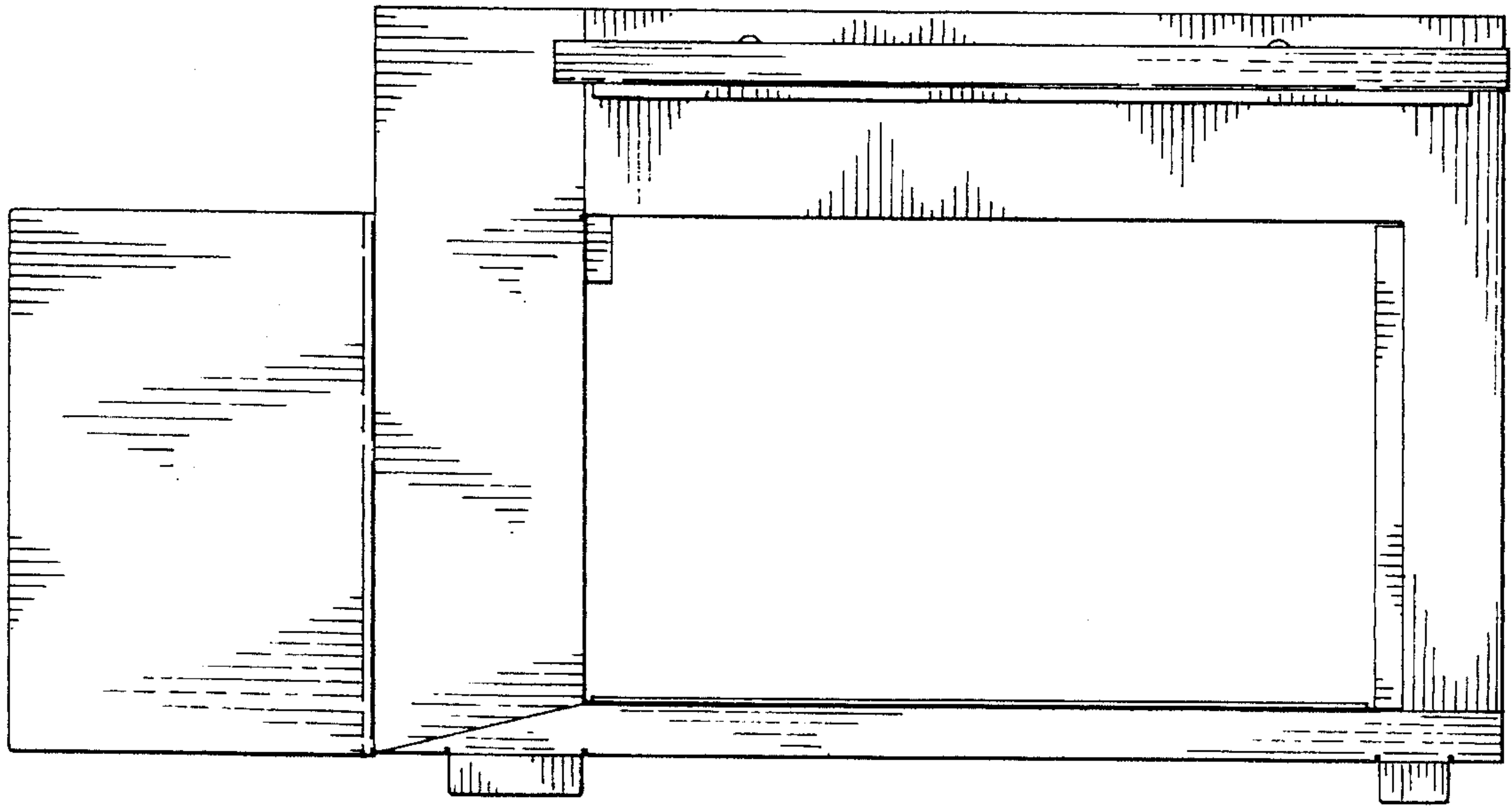


FIG. 6

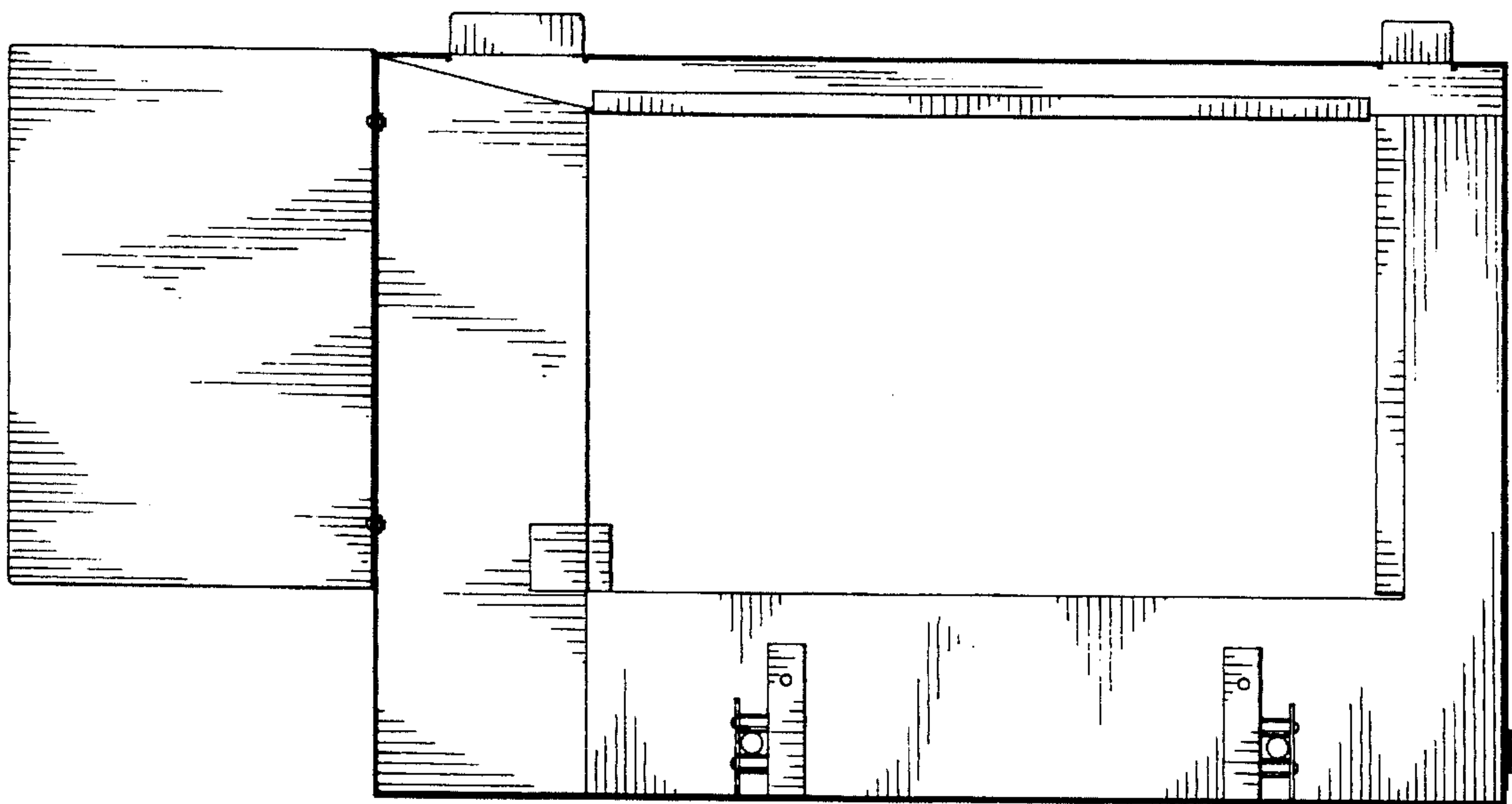


FIG. 7