



US00D372260S

United States Patent [19] Nelson

[11] Patent Number: **Des. 372,260**

[45] Date of Patent: ****Jul. 30, 1996**

[54] **MANUAL PAD PRINTER**

5,119,724 6/1992 Ng 101/41

[75] Inventor: **Galen D. Nelson**, Rigby, Id.

Primary Examiner—Antoine Duval Davis
Attorney, Agent, or Firm—Hopkins, Roden, Crockett,
Hansen & Hoopes

[73] Assignee: **Ray G. Peterson**, Rigby, Id.; a part
interest

[57] **CLAIM**

[**] Term: **14 Years**

The ornamental design for a manual pad printer, as shown
and described.

[21] Appl. No.: **37,710**

DESCRIPTION

[22] Filed: **Apr. 19, 1995**

[52] U.S. Cl. **D18/14**

[58] Field of Search D15/199; D18/14,
D18/50, 53; 101/35, 41-44, 104, 287

FIG. 1 is a top view of a manual pad printer showing my new
design;

FIG. 2 is a front view thereof;

FIG. 3 is a right-side view thereof;

FIG. 4 is a left-side view thereof; and,

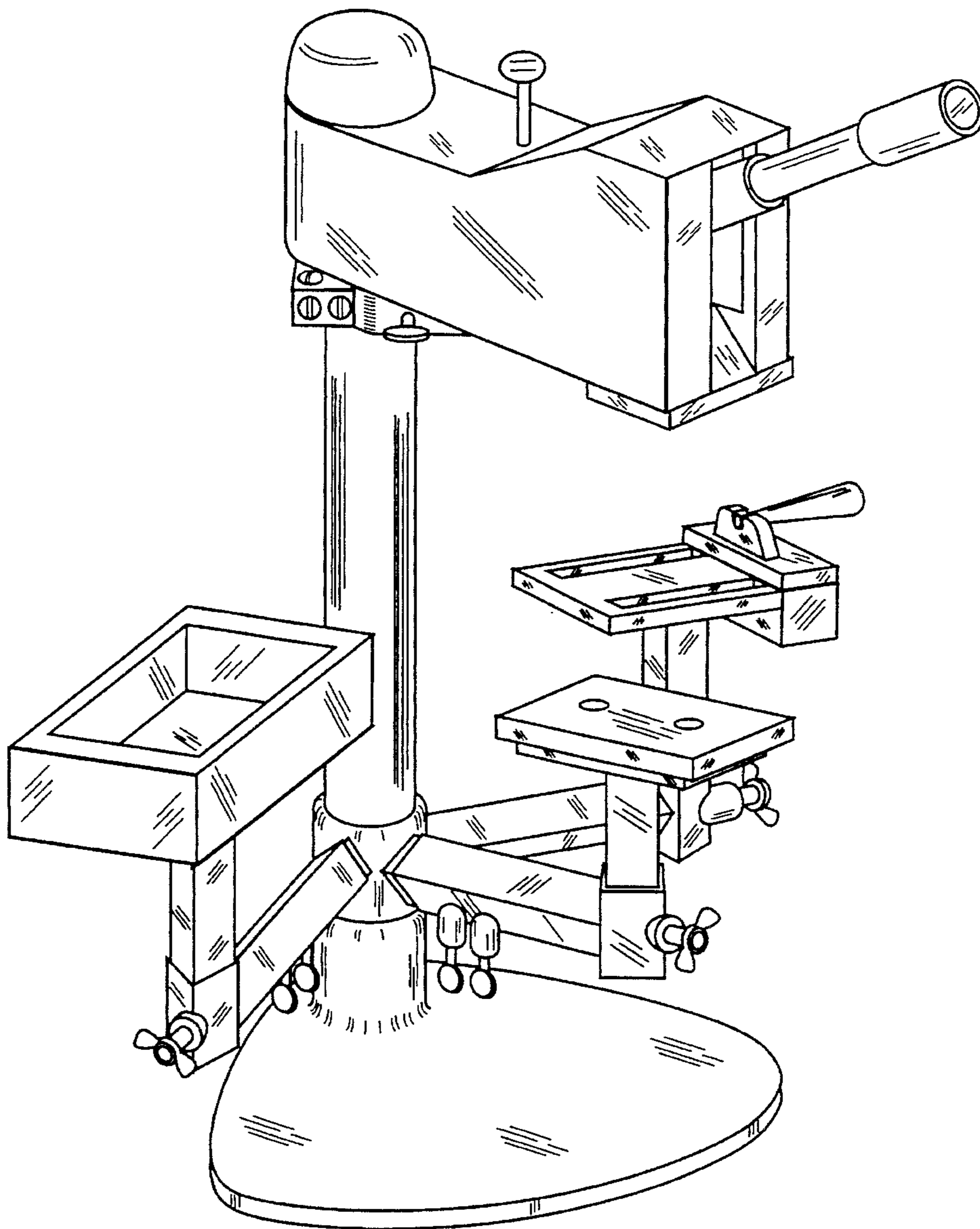
FIG. 5 is a front perspective view thereof.

[56] **References Cited**

U.S. PATENT DOCUMENTS

D. 340,256 10/1993 Ng D18/14

1 Claim, 5 Drawing Sheets



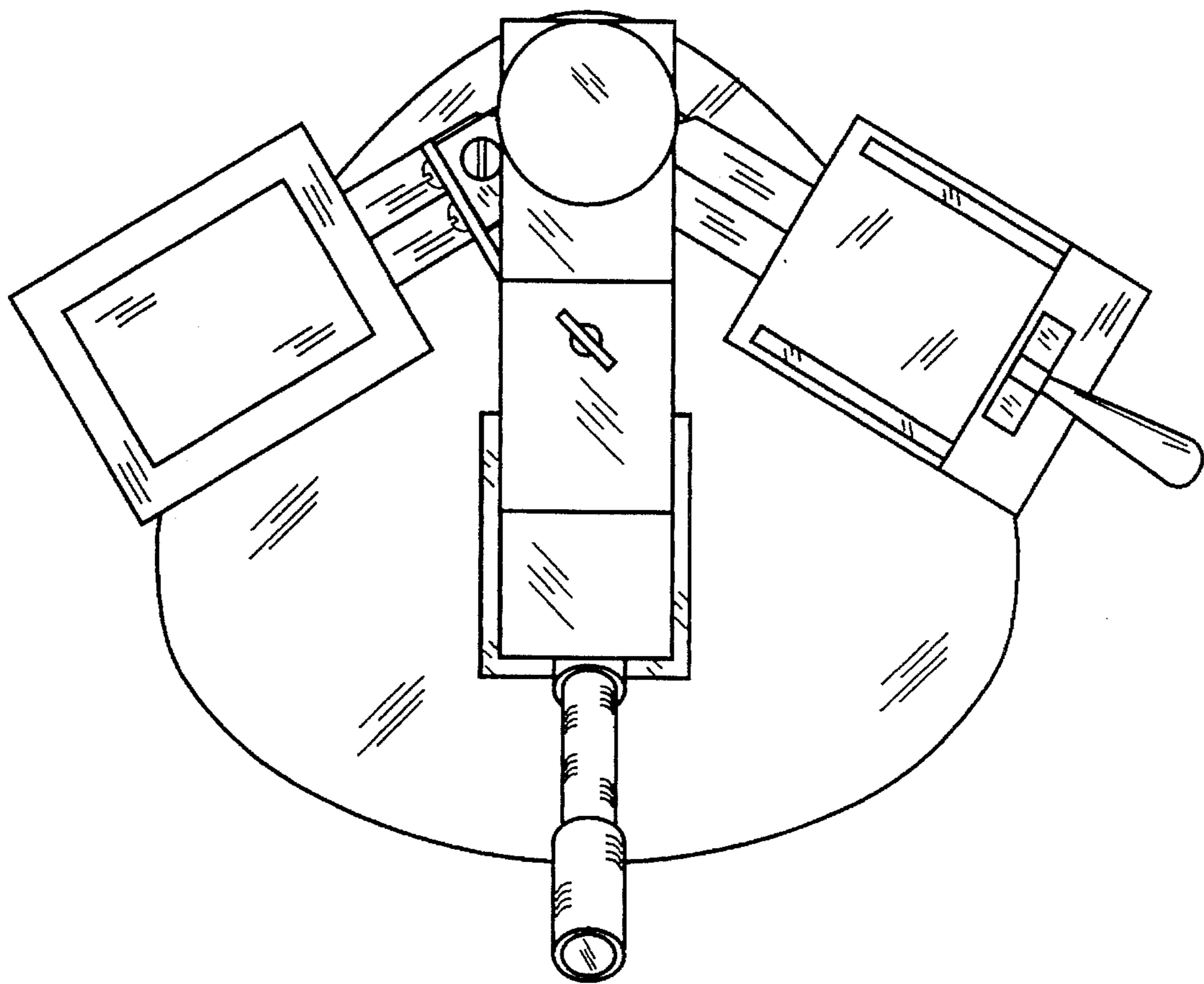


Figure 1

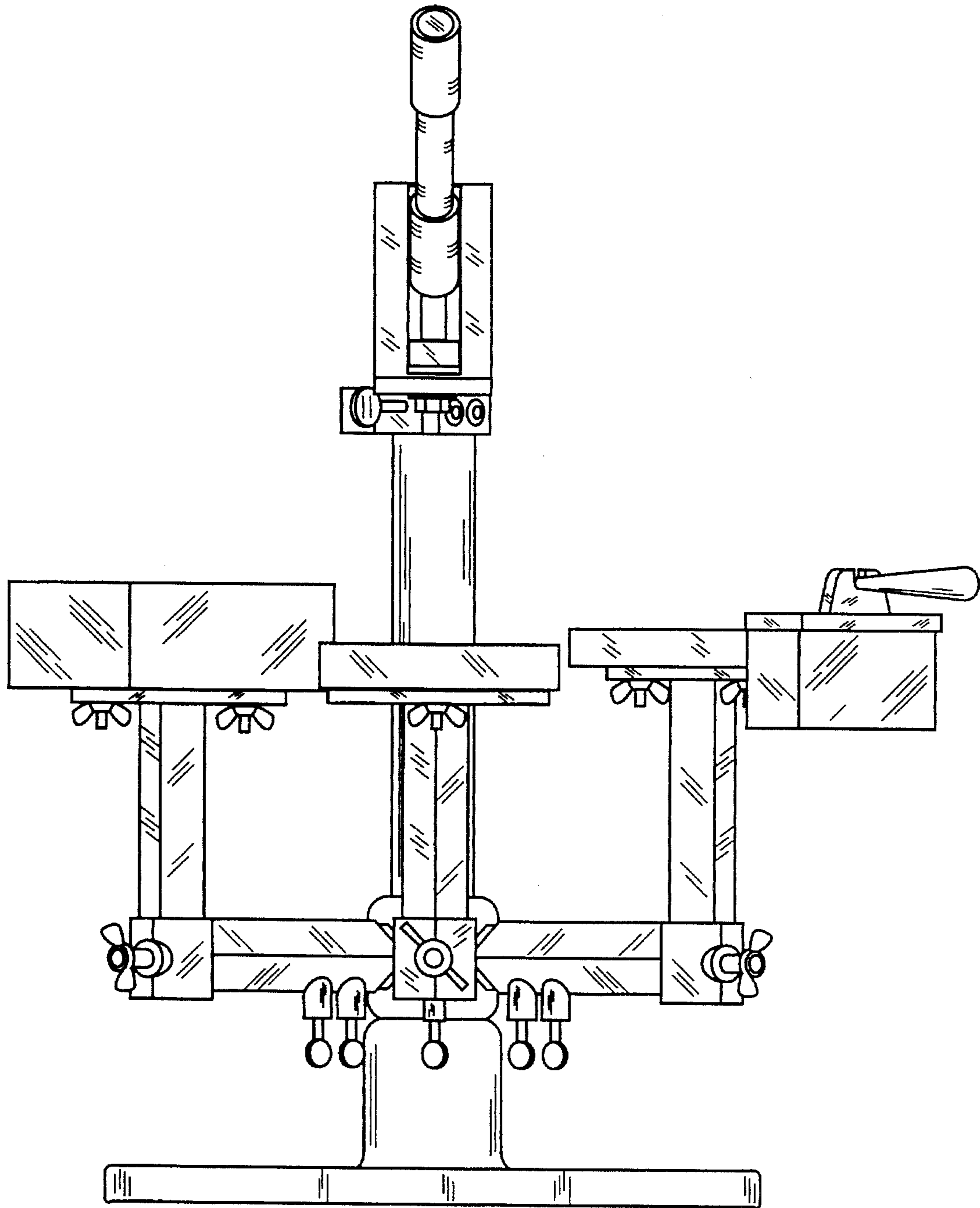


Figure 2

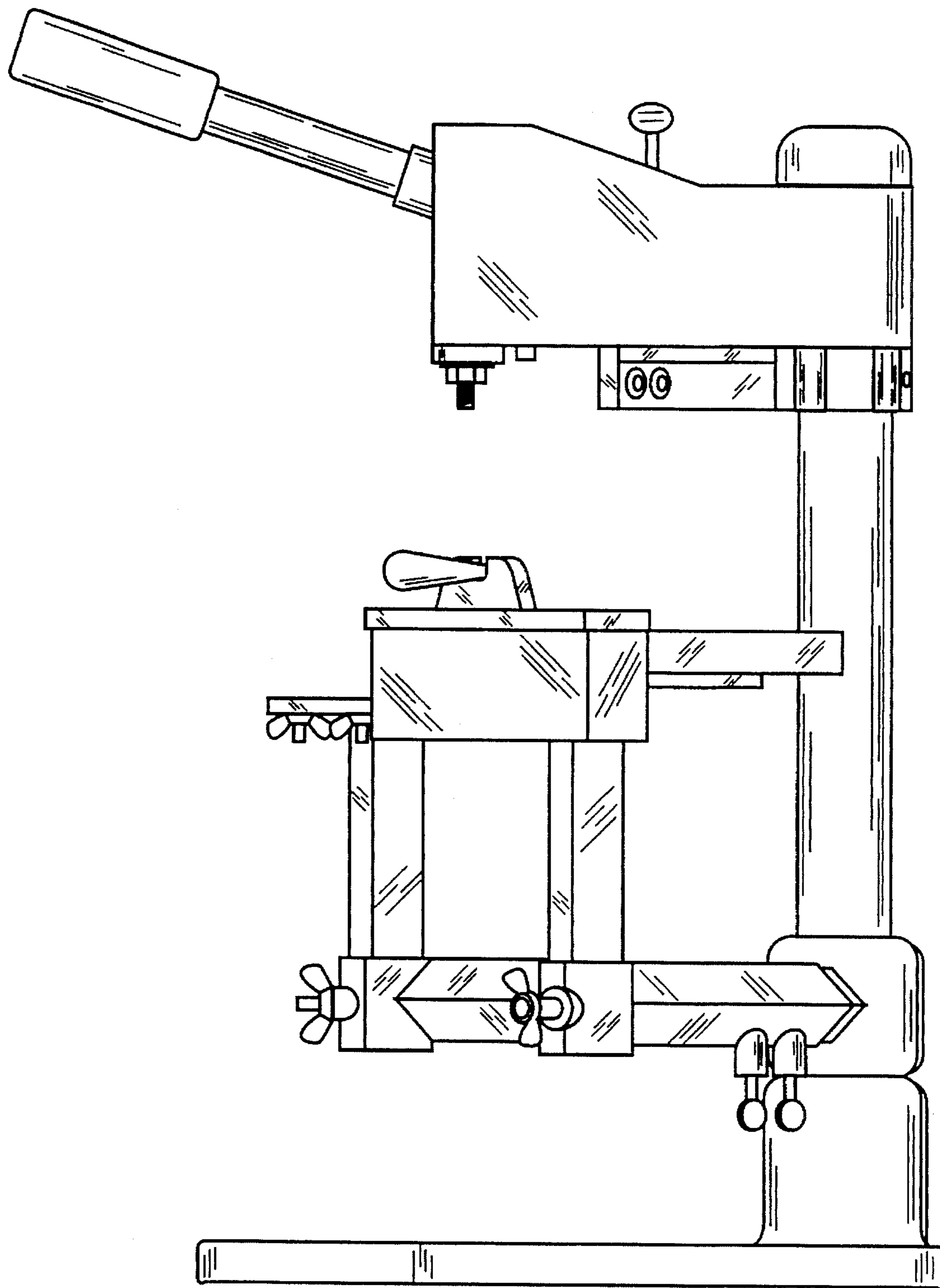


Figure 3

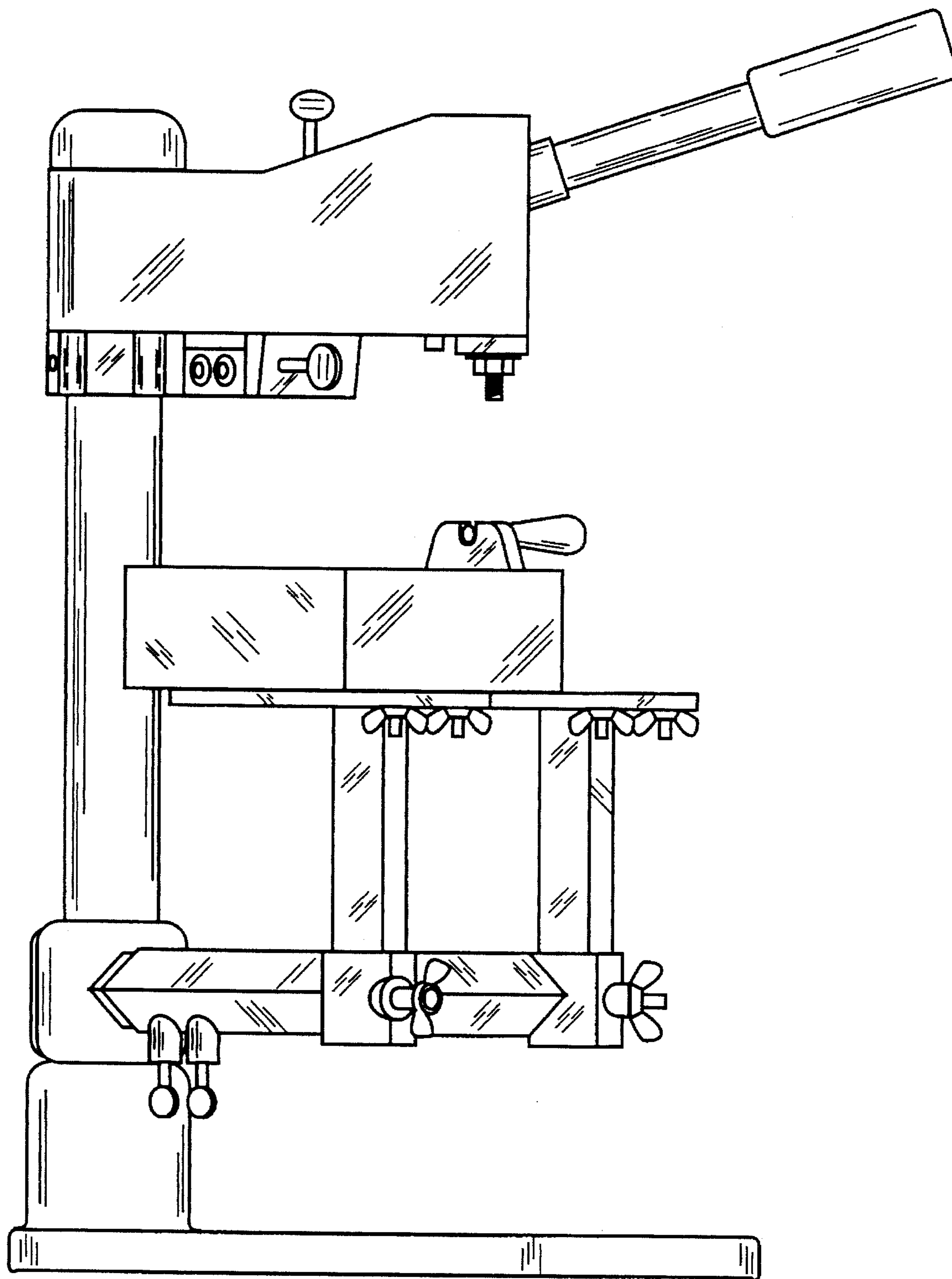


Figure 4

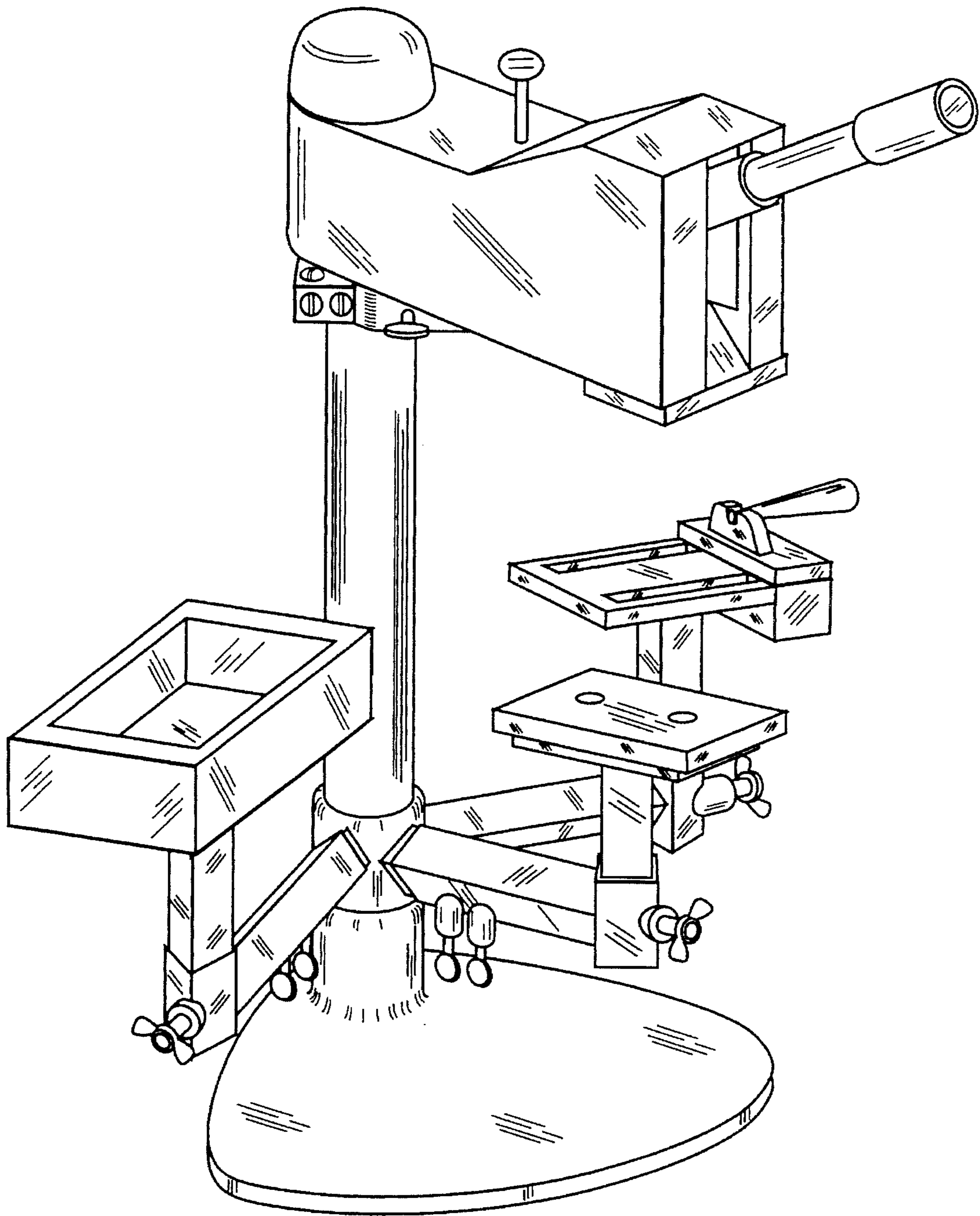


Figure 5