



US00D372259S

United States Patent [19] Kyser

[11] Patent Number: **Des. 372,259**

[45] Date of Patent: ****Jul. 30, 1996**

[54] **CAPO FOR A STRINGED MUSICAL INSTRUMENT**

[75] Inventor: **H. Milton Kyser**, Kaufman, Tex.

[73] Assignee: **Kyser Musical Products, Inc.**,
Arlington, Tex.

[**] Term: **14 Years**

[21] Appl. No.: **41,592**

[22] Filed: **Jul. 19, 1995**

[52] U.S. Cl. **D17/21; D17/20**

[58] Field of Search **D17/20, 21, 14; 84/318**

[56] **References Cited**

U.S. PATENT DOCUMENTS

D. 257,988	1/1981	Nakamoto	D17/20
416,057	11/1889	Gill et al.	84/318
4,143,576	3/1979	Nichols et al.	84/318
4,583,440	4/1986	Powell, Jr.	84/318

OTHER PUBLICATIONS

Grossman Music Corp Catalog, 1968 p. 372 (Bill Russell Guitar Capo).

Primary Examiner—Prabhakar G. Deshmukh

Assistant Examiner—Adir Aronovich

Attorney, Agent, or Firm—Ross, Clapp, Korn & Montgomery, L.L.P.

[57] **CLAIM**

The ornamental design for a capo for a stringed musical instrument, as shown and described.

DESCRIPTION

FIG. 1 is a perspective view of a capo for a stringed musical instrument showing my new design;

FIG. 2 is a right side view of the capo;

FIG. 3 is a perspective view taken from the opposite perspective from FIG. 1;

FIG. 4 is a left side view of the capo;

FIG. 5 is a top view of the capo; and,

FIG. 6 is a bottom view of the capo.

1 Claim, 1 Drawing Sheet

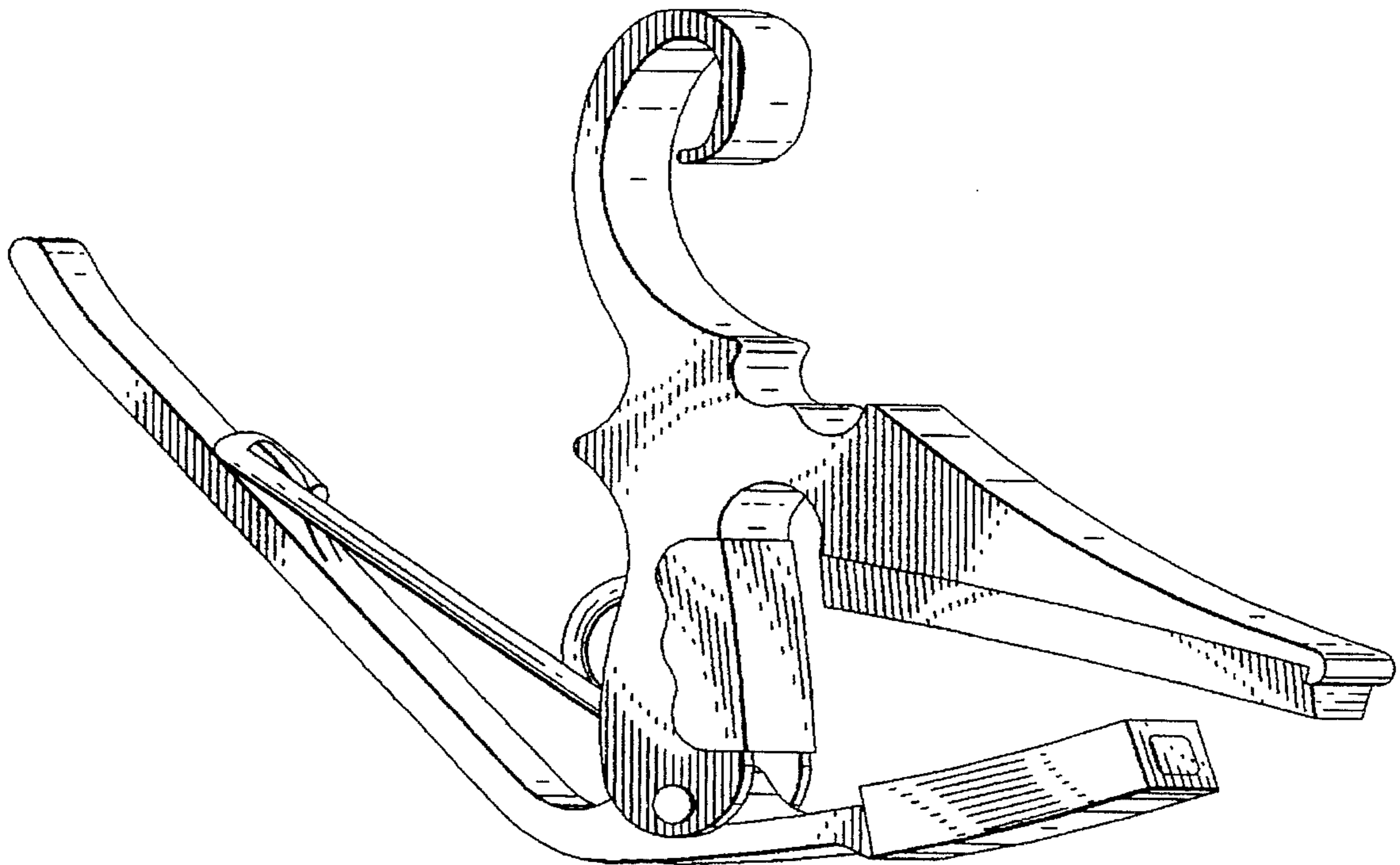


FIG. 1

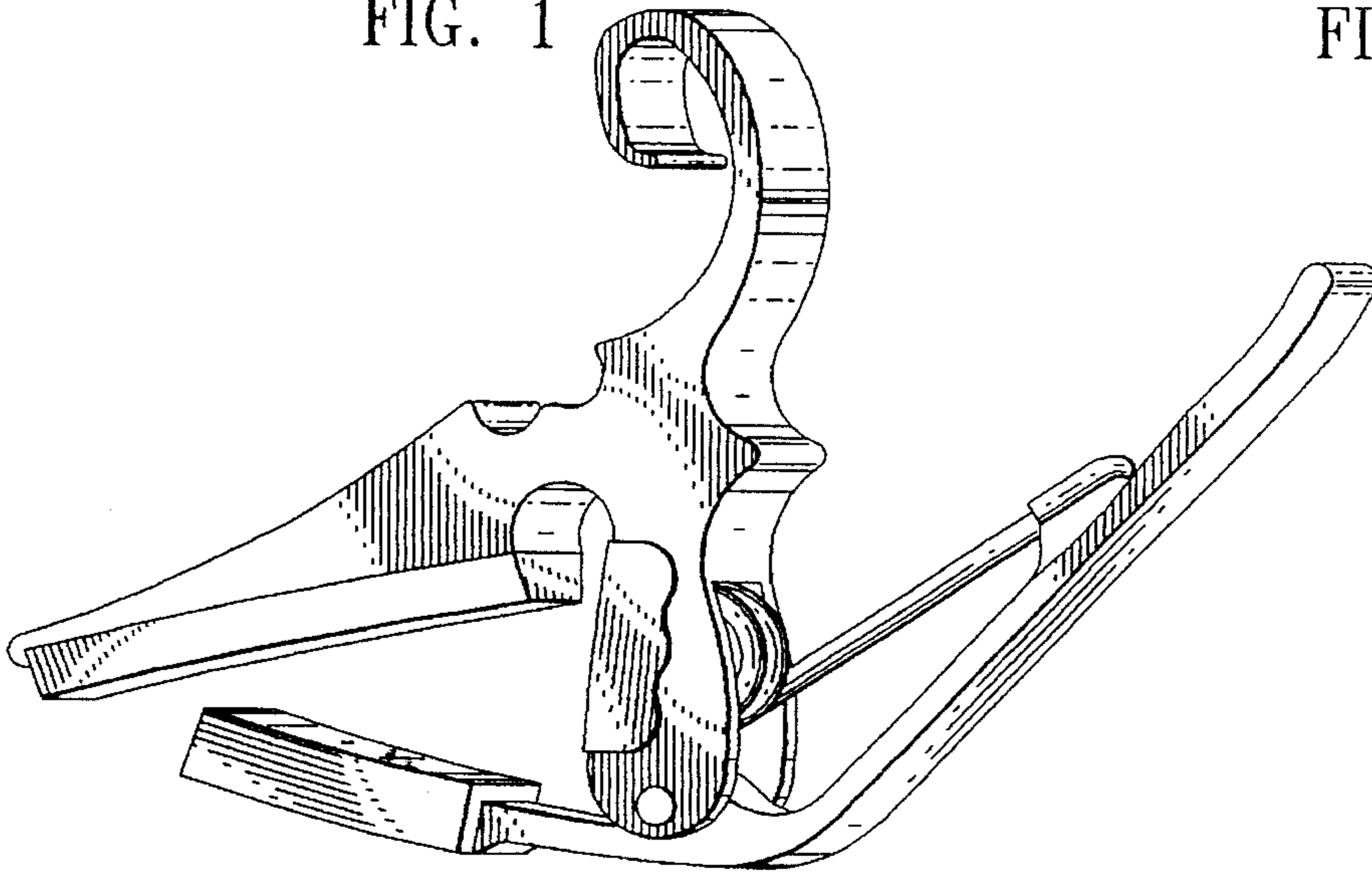


FIG. 2

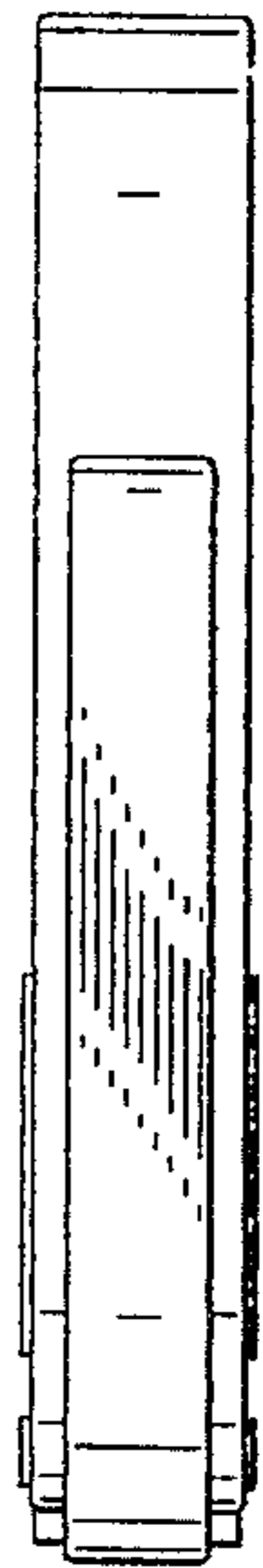


FIG. 3

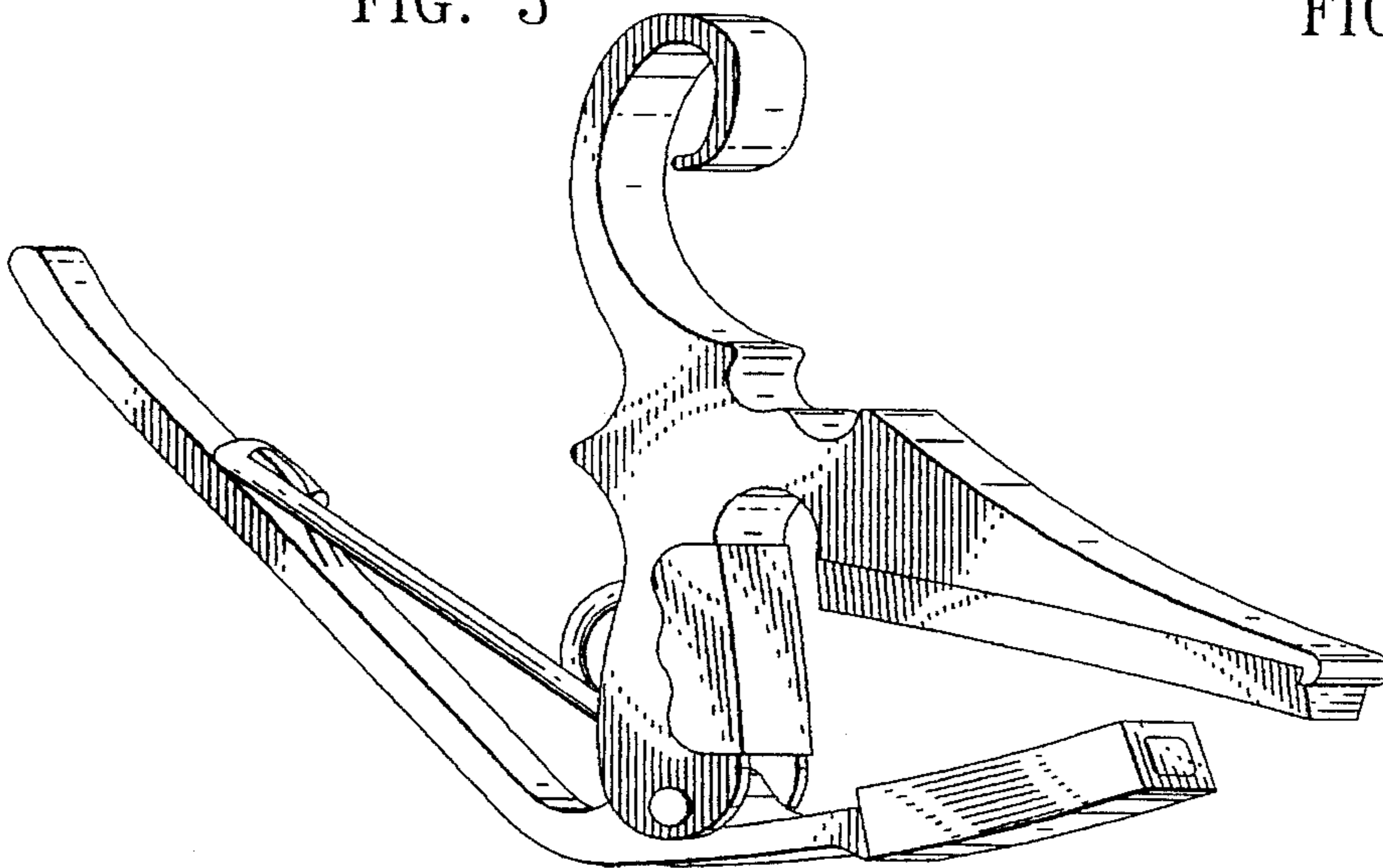


FIG. 4

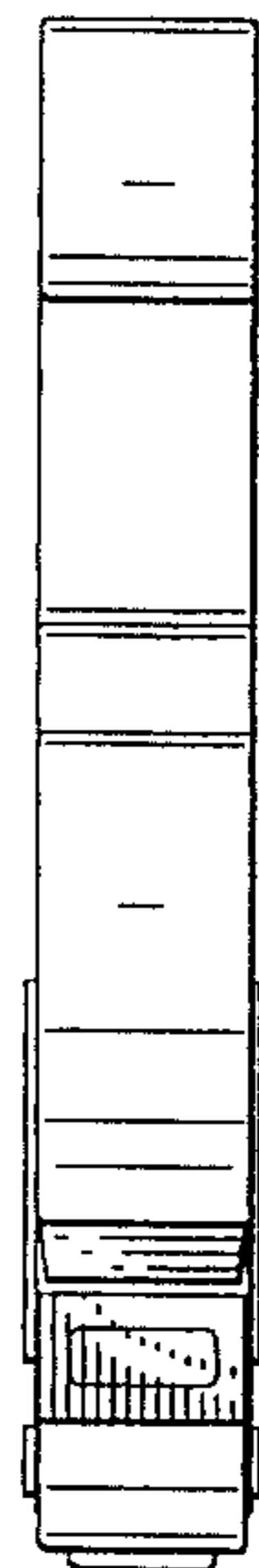


FIG. 5

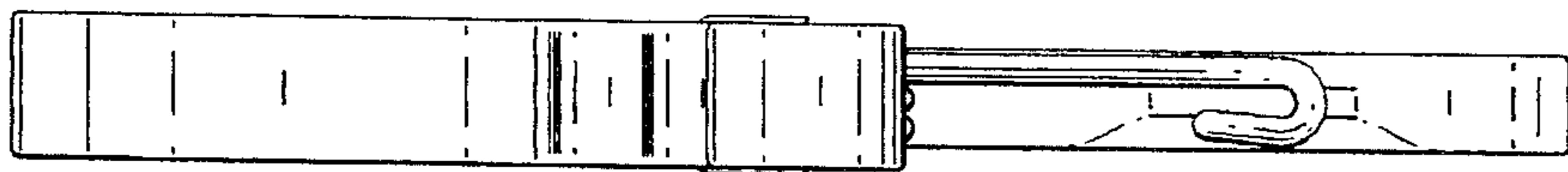


FIG. 6

