



US00D372254S

United States Patent [19]
Hirayama et al.

[11] **Patent Number:** **Des. 372,254**
[45] **Date of Patent:** ****Jul. 30, 1996**

[54] **PIVOT BEARING**

4,032,128 6/1977 Nicolaisen 200/339 X

[75] Inventors: **Shigeyoshi Hirayama**, Yamatotakada;
Yoshiaki Hyodo, Ikoma-gun;
Mitsuhiro Ikeda, Kitakatsuragi-gun, all
of Japan

Primary Examiner—Antoine Duval Davis
Attorney, Agent, or Firm—Wenderoth, Lind & Ponack

[73] Assignee: **Koyo Seiko Co., Ltd.**, Osaka, Japan

[**] Term: **14 Years**

[57] **CLAIM**

The ornamental design for a pivot bearing, as shown and described.

[21] Appl. No.: **41,666**

DESCRIPTION

[22] Filed: **Jul. 21, 1995**

FIG. 1 is a top plan view of a pivot bearing showing an embodiment of our new design;

[30] **Foreign Application Priority Data**

FIG. 2 is a front elevational view thereof;

Jan. 30, 1995 [JP] Japan 7-2106

FIG. 3 is a right-hand side view thereof, and is also a mirror image of a left-hand side view thereof;

[52] **U.S. Cl.** **D15/143**

FIG. 4 is a rear elevational view thereof;

[58] **Field of Search** D15/143; 200/329,
200/340, 338, 339; 267/159, 158, 160,
164, 165; 384/523-534

FIG. 5 is a bottom plan view thereof; and,

FIG. 6 is a perspective view thereof.

[56] **References Cited**

U.S. PATENT DOCUMENTS

D. 362,256 9/1995 Okamoto et al. D15/143

1 Claim, 4 Drawing Sheets

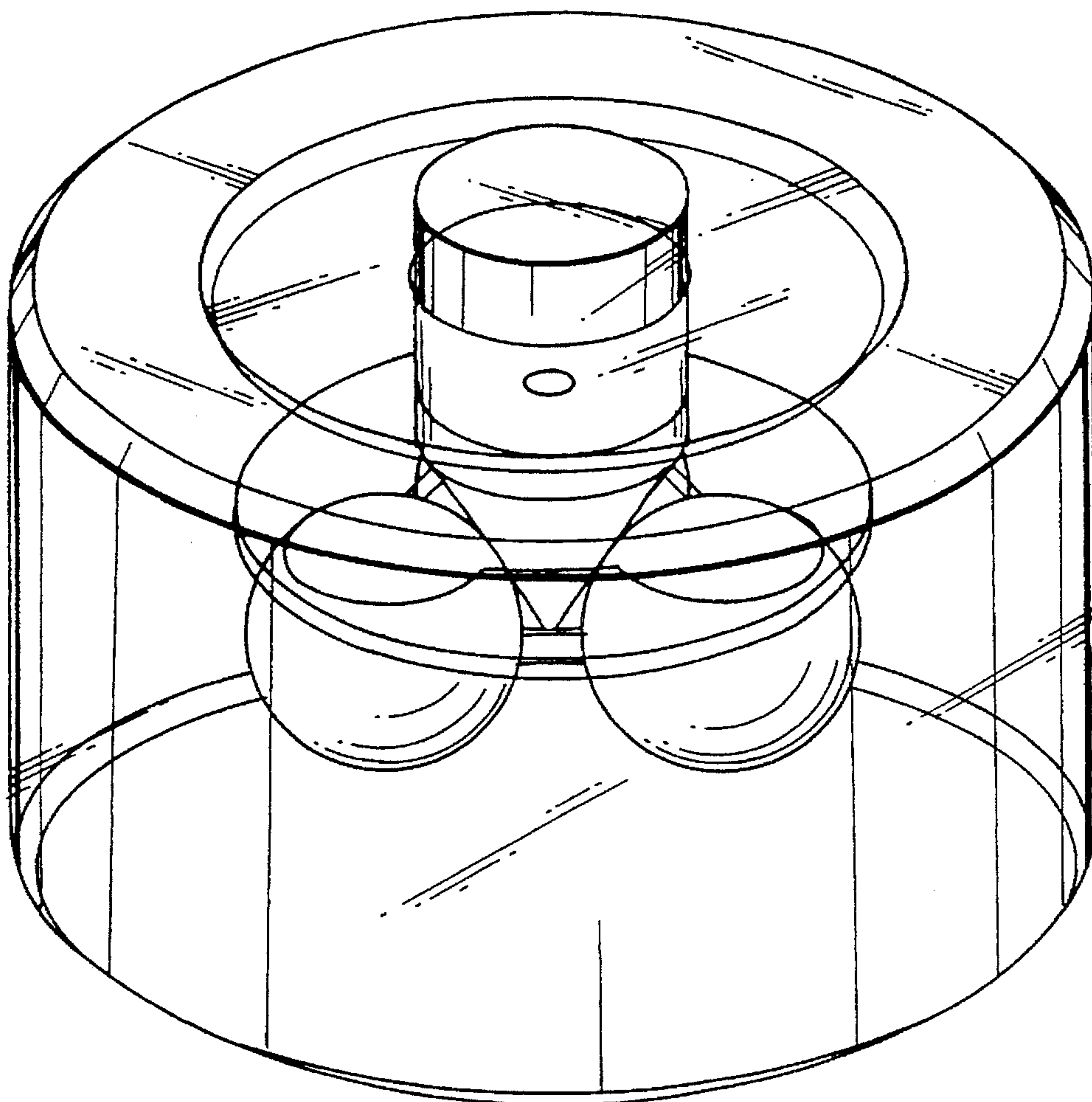


Fig. 1

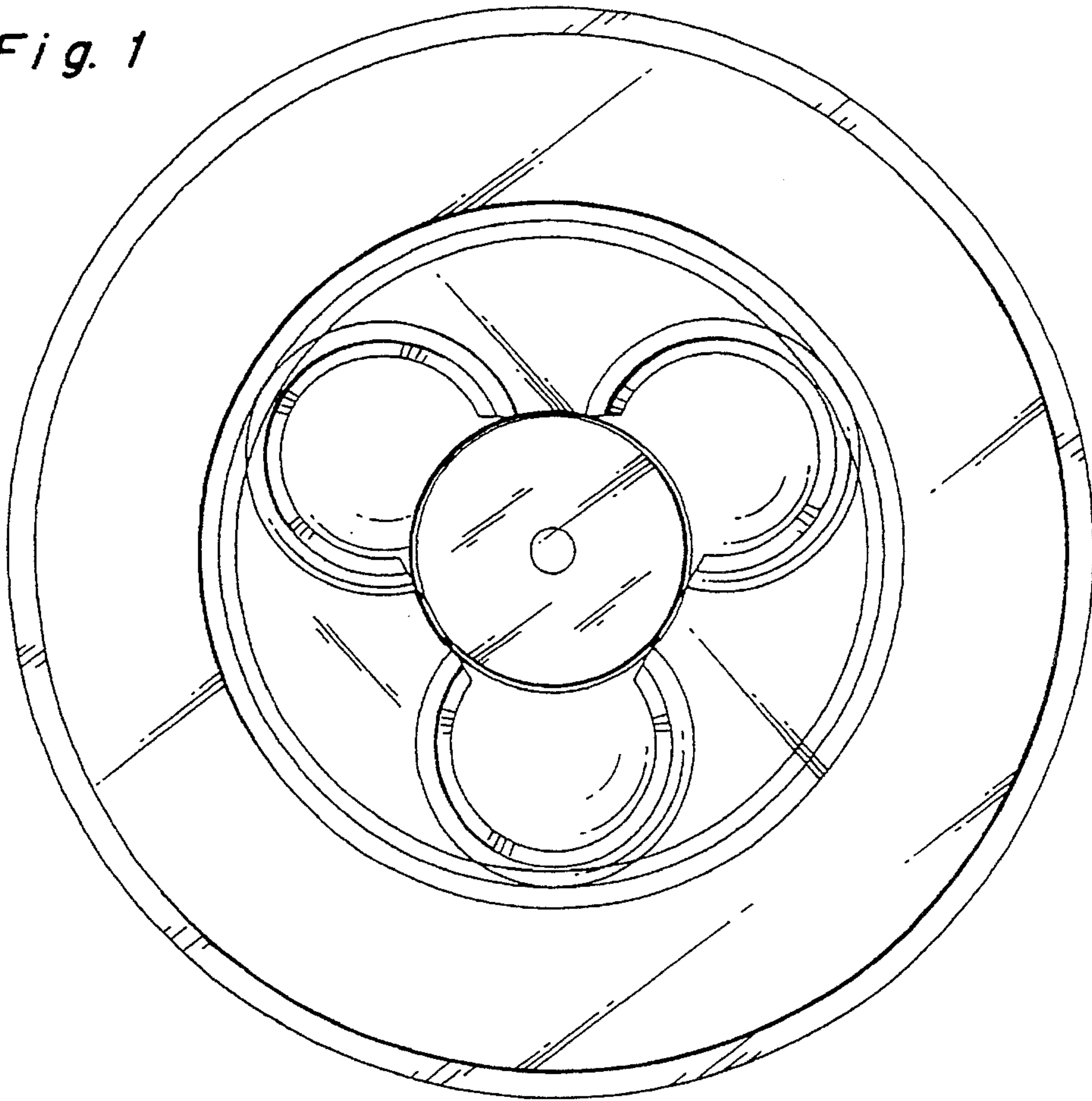


Fig. 2

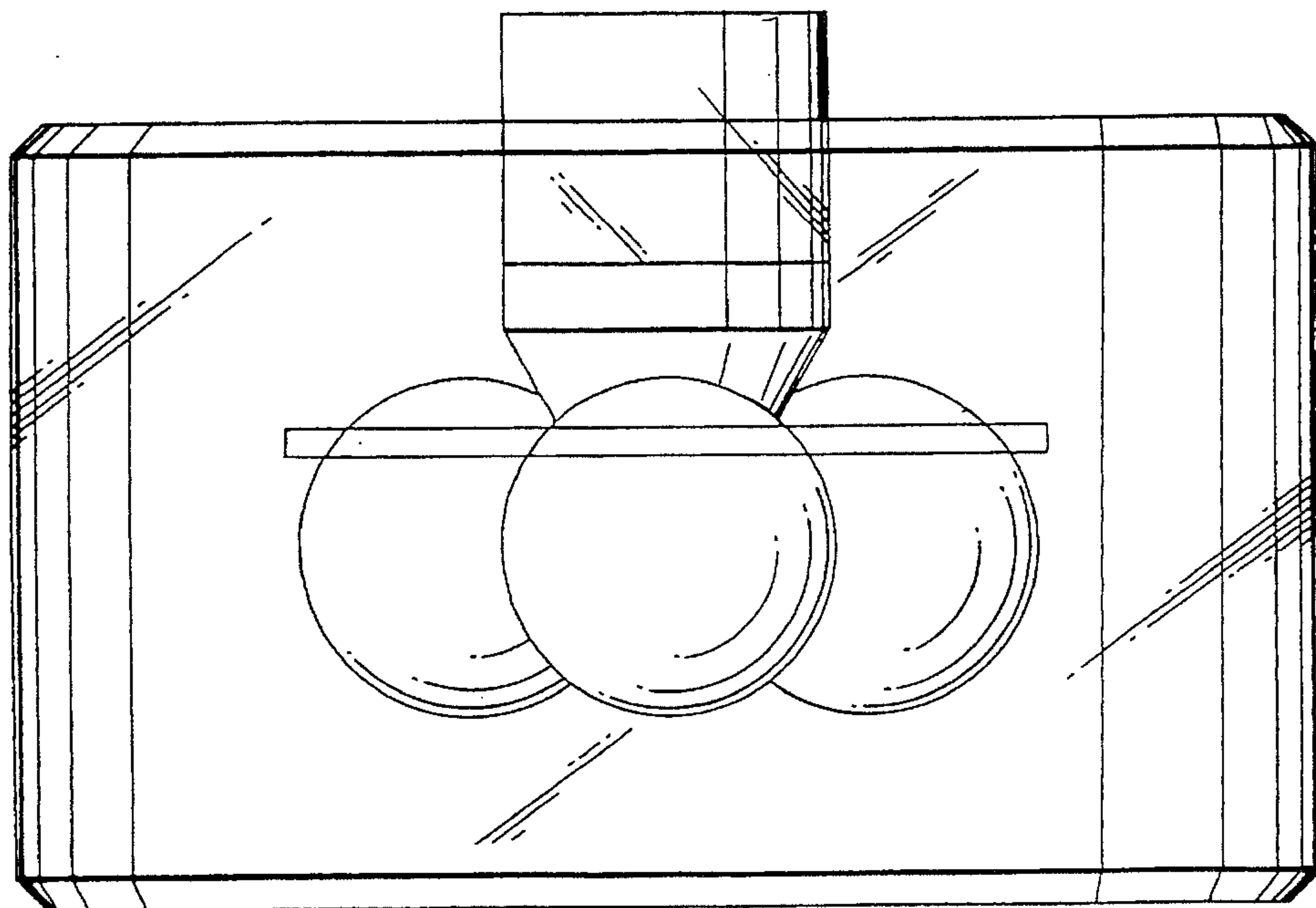


Fig. 3

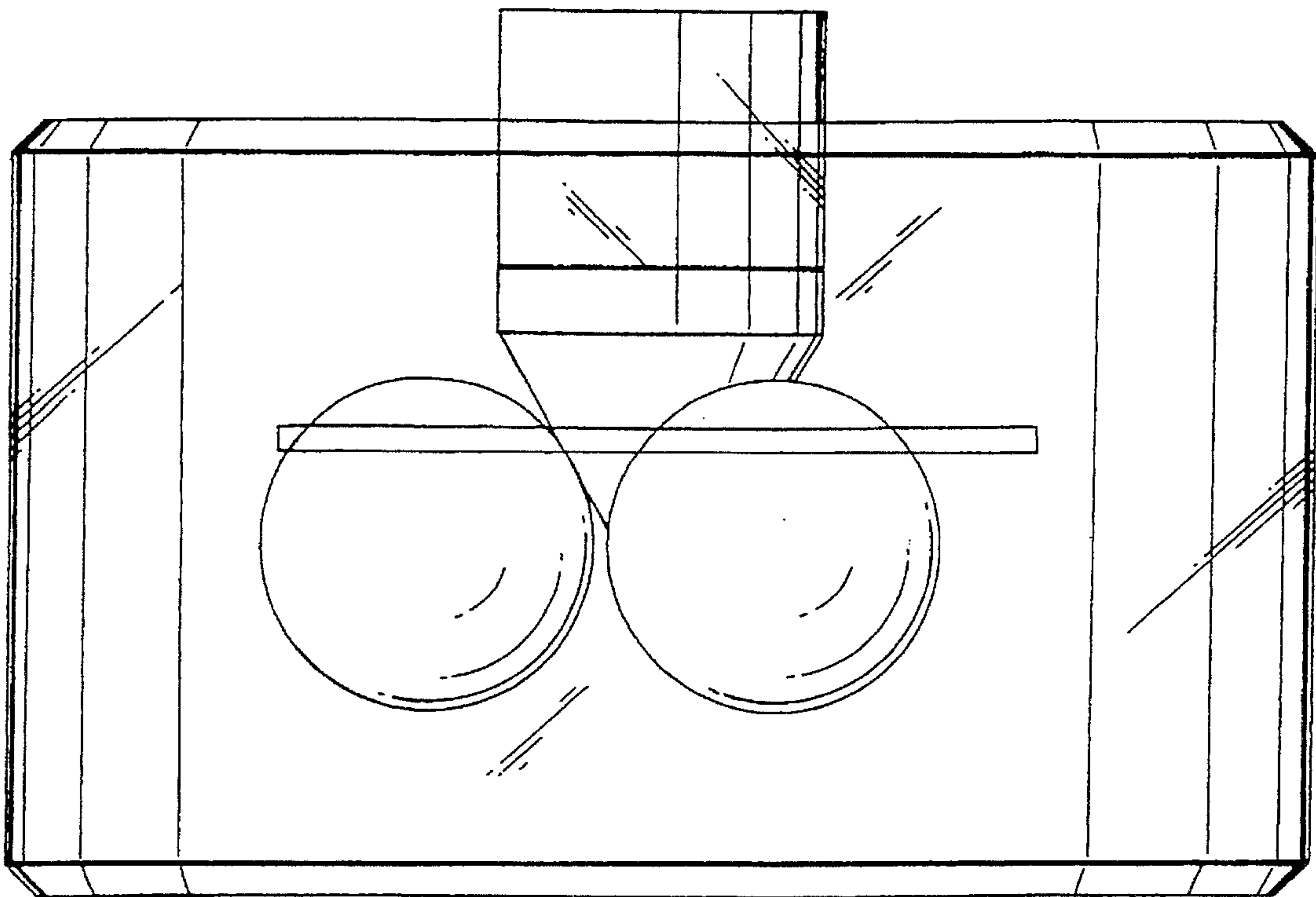


Fig. 4

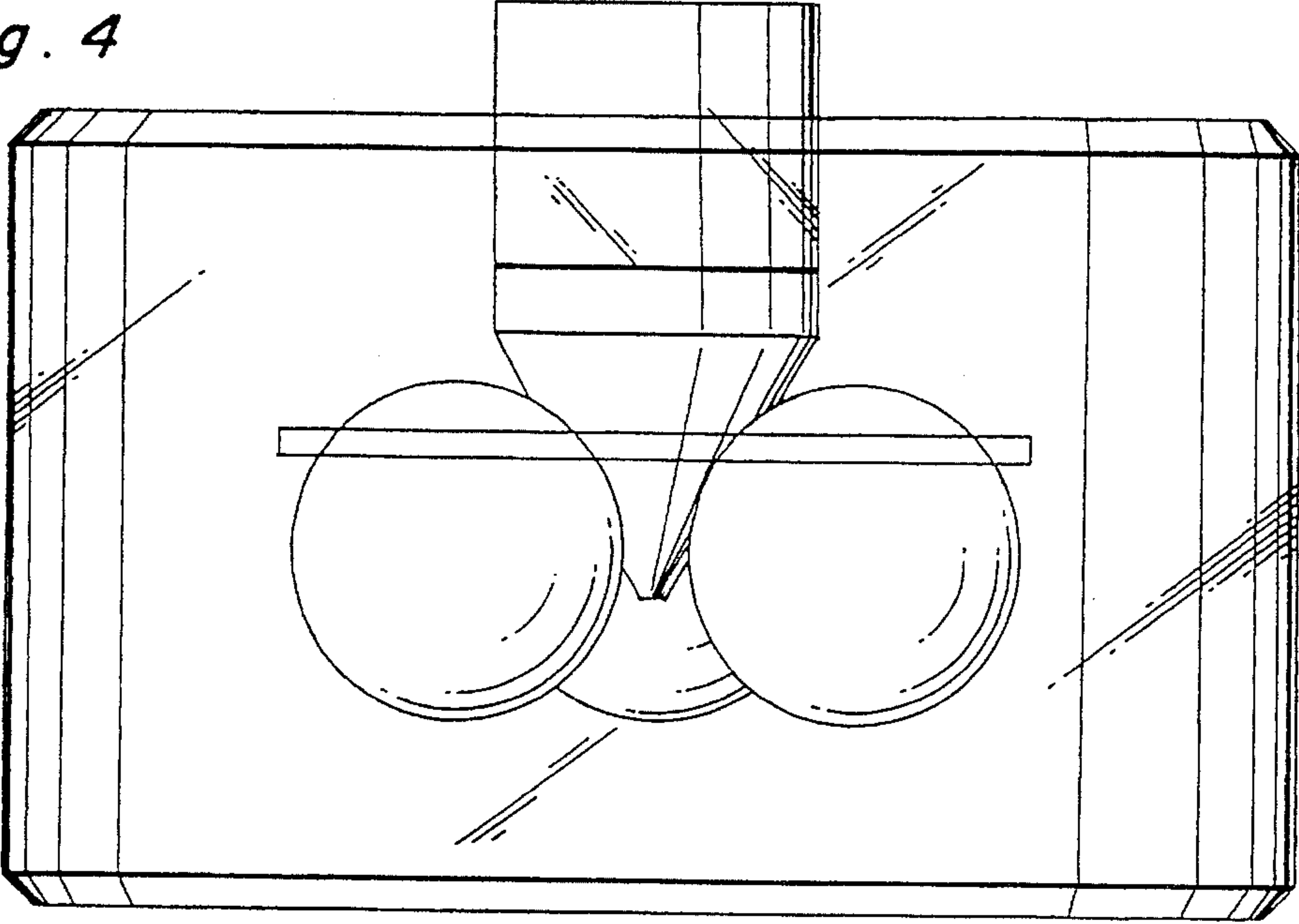


Fig. 5

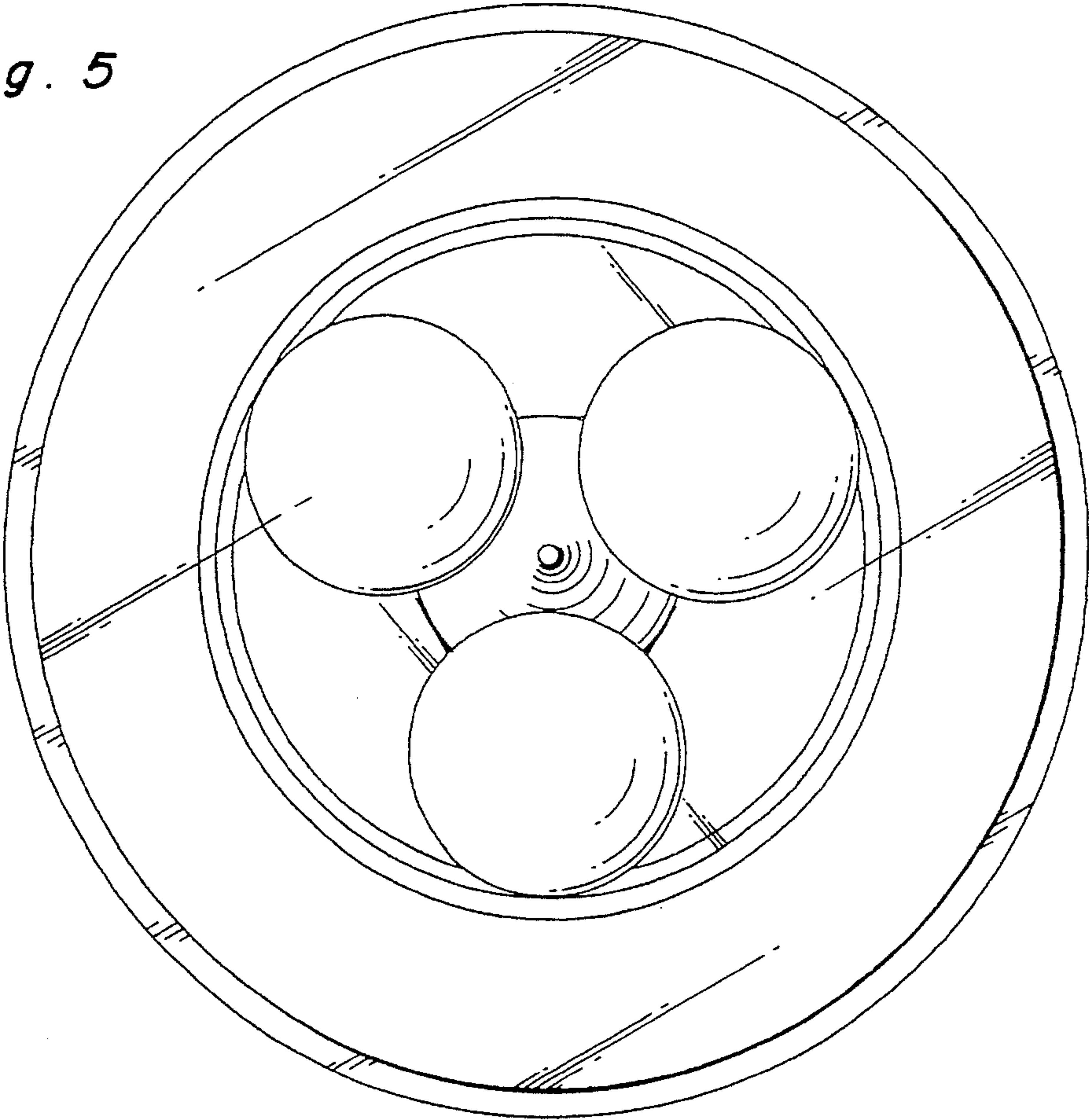


Fig. 6

