



US00D372253S

United States Patent [19]

[11] Patent Number: **Des. 372,253**

Huffstutler et al.

[45] Date of Patent: ****Jul. 30, 1996**

[54] **SUPPORT ARM AND ROTARY CONE FOR MODULAR DRILL BIT**

[75] Inventors: **Alan D. Huffstutler; Harry M. Campos, Jr.**, both of Grand Prairie; **Michael S. Beaton**, Cedar Hill; **Jay S. Bird**, Waxahachie, all of Tex.

[73] Assignee: **Dresser Industries, Inc.**, Dallas, Tex.

[**] Term: **14 Years**

[21] Appl. No.: **33,630**

[22] Filed: **Jan. 17, 1995**

[52] U.S. Cl. **D15/139**

[58] Field of Search D15/139; 175/374, 175/376, 377, 431, 435, 288, 367, 368, 366, 369, 370, 371, 372, 373, 374-380; 384/93-96

[56] References Cited

U.S. PATENT DOCUMENTS

Re. 19,339	10/1934	Vertson	255/73
Re. 32,495	9/1987	Coates	175/339
D. 265,205	6/1982	Munson	D15/139
1,906,427	5/1933	Sievers et al. .	
1,908,049	5/1933	Reed .	
2,030,723	2/1936	Scott et al.	255/71

(List continued on next page.)

FOREIGN PATENT DOCUMENTS

936382	12/1955	Germany .	
533719	10/1976	U.S.S.R.	E21B 9/02
1305295	4/1987	U.S.S.R.	E21B 10/30
1467157	3/1989	U.S.S.R.	E21B 10/26

OTHER PUBLICATIONS

Security/Dresser "Security Oilfield Catalog" Rock bits, Diamond Products, Drilling Tools, *Security Means Technology*, Nov. 1992.

U.S. Patent Application No. 08/478455, filed Jun. 6, 1995, entitled Rotary Cone Drill Bit Modular Arm.

U.S. Patent Application No. 29/043782, filed Sep. 12, 1995, entitled rotary Cone Drill Bit.

U.S. Patent Application No. 29/033599, filed Jan. 17, 1995, entitled rotary Cone Drill Bit.

International Patent Application No. PCT/US95/10015 International Search Report, dated Jan. 4, 1996.

"State of the Science in Rock Bit Techn." by Carlos Fernandez, SPACEBIT, Aug. 8, 1991.

U.S. Patent Application 8/422,140 filed Apr. 13, 1995 and entitled Rotary Drill Bit And Method For Manufacture And Rebuild.

U.S. Patent Application Ser. No. 08/287,457, filed Aug. 8, 1994 and entitled Rock Bit With enhanced Fluid Return Area.

U.S. Patent Application Ser. No. 08/287,446, filed Aug. 8, 1994 and entitled Modular Rotary Drill Bit.

U.S. Patent Application Ser. No. 08/287,441, filed Aug. 8, 1994 and entitled Rotary Cone Drill Bit With Improved Support Arms.

U.S. Patent Application Ser. No. 08/287,390, filed Aug. 8, 1994 and entitled Rotary Cone Drill Bit And Method For Manufacture And Rebuild.

U.S. Patent Application Ser. No. 08/351,019 filed Dec. 7, 1994 and entitled Rotary Cone Drill Bit And Method For Enhanced Lifting Of Fluids And Cuttings.

U.S. Patent Application Ser. No. 08/350,910 filed Dec. 7, 1994 and entitled Rotary Cone Drill Bit With Angles Ramps.

U.S. Design Patent Application filed Jan. 16, 1995 and entitled Rotary Drill Bit.

Primary Examiner—Antoine Duval Davis

Attorney, Agent, or Firm—Baker & Botts, L.L.P.

[57] CLAIM

The ornamental design for a support arm and rotary cone for modular drill bit, as shown.

DESCRIPTION

FIG. 1 is a perspective view of the support arm and rotary cone for modular drill bit showing our new design;

FIG. 2 is a front elevational view thereof;

FIG. 3 is a first side elevational view thereof;

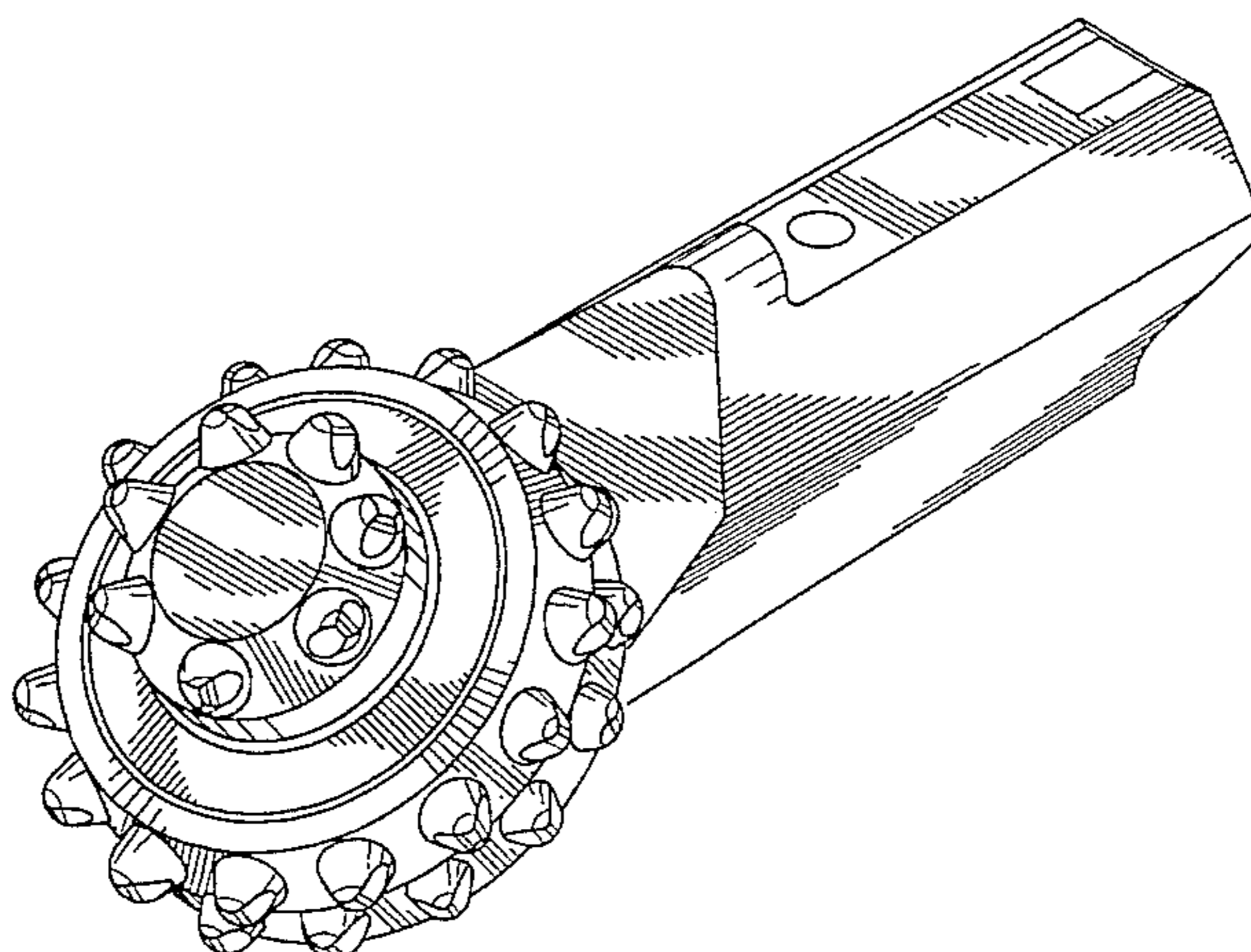
FIG. 4 is a top plan view thereof;

FIG. 5 is a back elevational view thereof;

FIG. 6 is a second side elevational view thereof; and,

FIG. 7 is a bottom plan view thereof.

1 Claim, 2 Drawing Sheets



U.S. PATENT DOCUMENTS

2,047,112	7/1936	Reed	175/363	4,352,400	10/1982	Grappendorf et al.	175/330
2,063,012	12/1936	Catland	175/357	4,369,849	1/1983	Parrish	175/340
2,064,273	12/1936	Scott	175/342	4,417,629	11/1983	Wallace	175/356
2,065,743	12/1936	Reed	255/71	4,421,184	12/1983	Mullins	175/337
2,068,375	1/1937	Catland	175/357	4,552,232	11/1985	Frear	175/337
2,124,521	7/1938	Williams et al.	255/71	4,623,027	11/1986	Veizirian	175/340
2,151,347	3/1939	Fisher	255/71	4,624,329	1/1986	Evans et al.	175/374
2,176,358	10/1939	Pearce	255/71	4,630,693	12/1986	Goodfellow	175/366
2,260,487	10/1941	Scott	225/71	4,635,728	1/1987	Harrington	166/341
2,318,370	5/1943	Burch	255/71	4,711,143	12/1987	Loukanis et al.	76/108
2,634,105	4/1953	Gruner	255/71	4,727,943	3/1988	Wood	175/229
2,648,526	8/1953	Lanchester	255/71	4,750,573	6/1988	Wynn	175/359
2,782,005	2/1957	Appleton	255/340	4,765,205	8/1988	Higdon	76/108
2,950,090	8/1960	Swart	255/314	4,813,502	3/1989	Dysart	175/337
3,130,801	4/1964	Schumacher et al.	175/374	4,817,852	4/1989	Hill	228/114
3,442,342	5/1969	McElya et al.	175/374	4,848,491	7/1989	Burridge et al.	175/329
3,628,616	12/1971	Neilson	175/375	4,986,375	1/1991	Maher	175/323
3,800,891	4/1974	White et al.	175/374	5,040,623	8/1991	Veizirian	175/354
3,825,083	7/1974	Flarity et al.	175/394	5,074,367	12/1991	Estes	175/374
3,850,256	11/1974	Mcqueen	175/228	5,131,478	7/1992	Brett et al.	175/57
4,054,772	10/1977	Lichte	219/121	5,145,016	9/1992	Estes	175/331
4,056,153	11/1977	Miglierini	175/376	5,158,148	10/1992	Keshavan	175/426
4,067,406	1/1978	Garner et al.	175/341	5,189,932	3/1993	Palmo et al.	76/108.2
4,098,448	7/1978	Sciaky et al.	228/102	5,199,516	4/1993	Fernandez	175/366
4,145,094	3/1979	Veizirian	308/8.2	5,224,560	7/1993	Fernandez	175/374
4,209,124	6/1980	Baur et al.	228/182	5,281,260	1/1994	Kumar et al.	175/426 X
4,256,194	3/1981	Varel	175/375	5,289,889	3/1994	Gearhart et al.	175/325.5
4,280,571	7/1981	Fuller	175/337	5,351,768	10/1994	Scott et al.	175/374
4,333,364	6/1982	Varel	76/108	5,439,067	8/1995	Huffstutler	175/339
4,350,060	9/1982	Veizirian	76/108	5,439,068	8/1995	Huffstutler et al.	175/356

FIG. 1

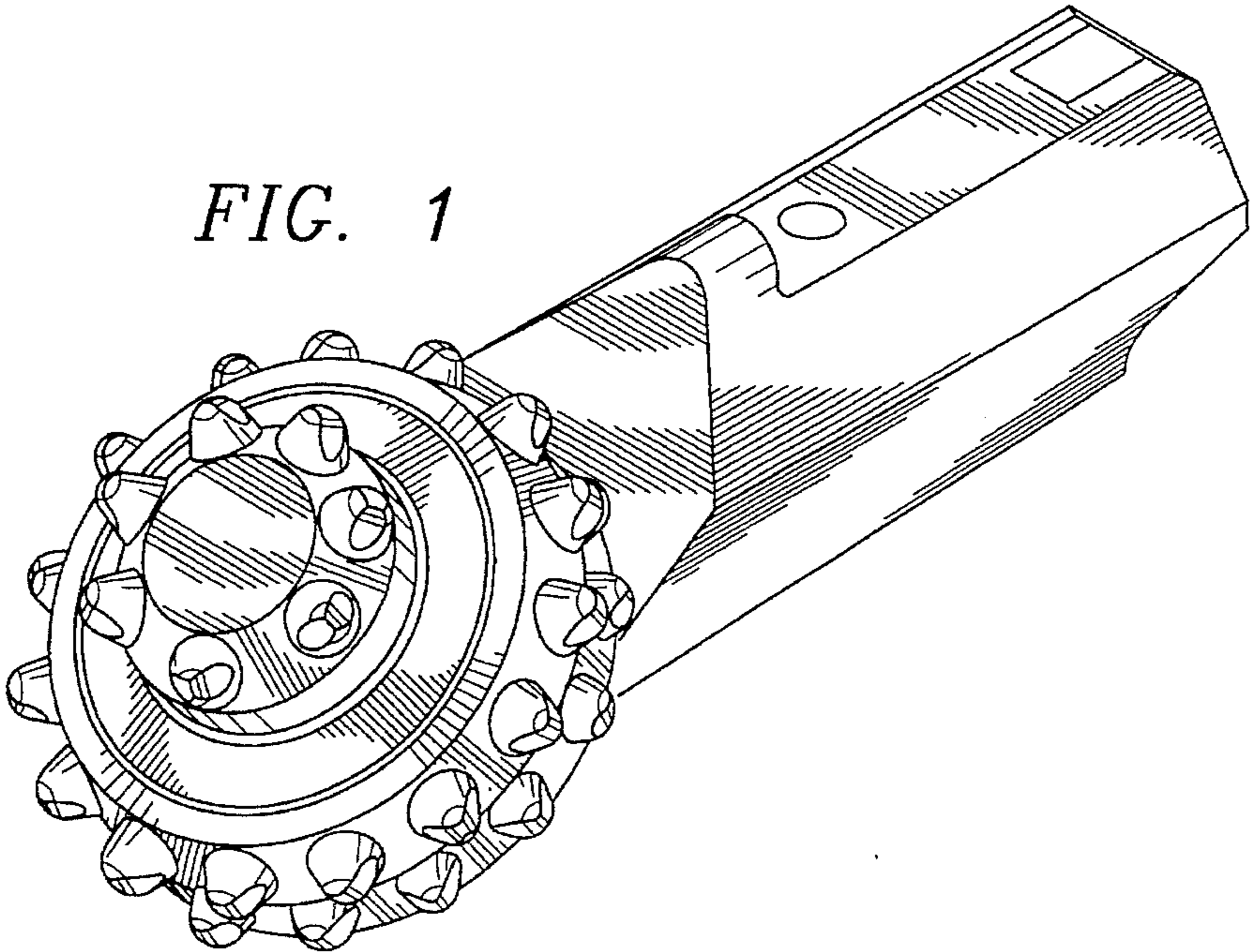


FIG. 2

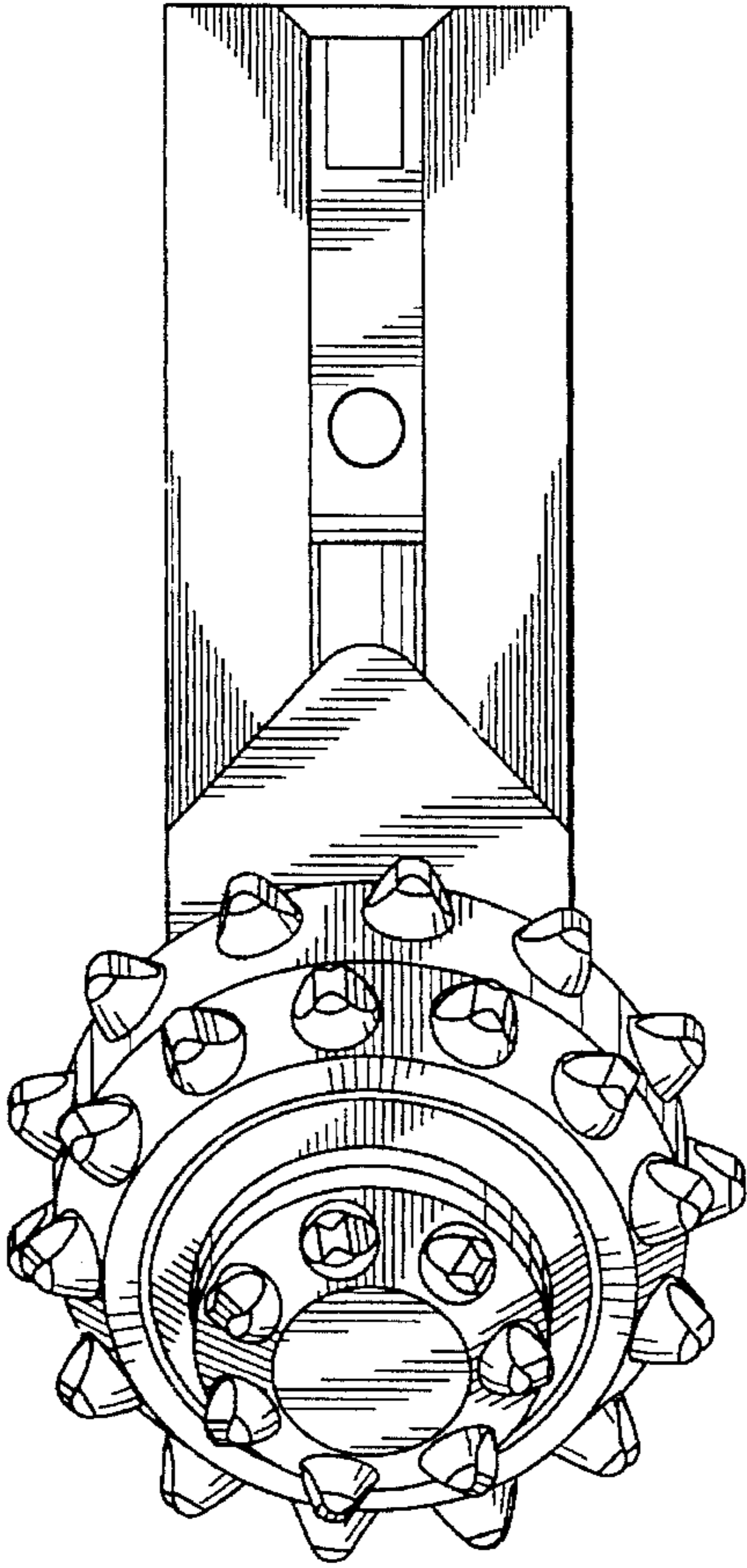
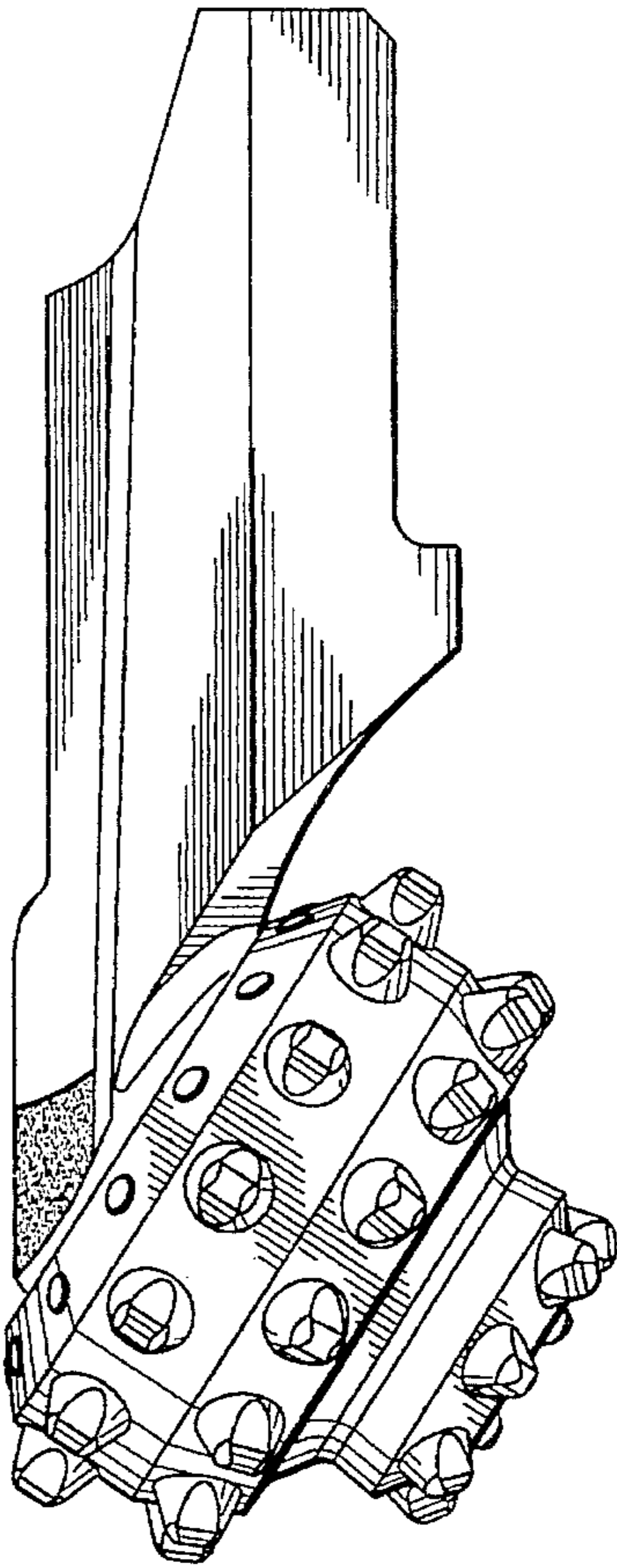


FIG. 3



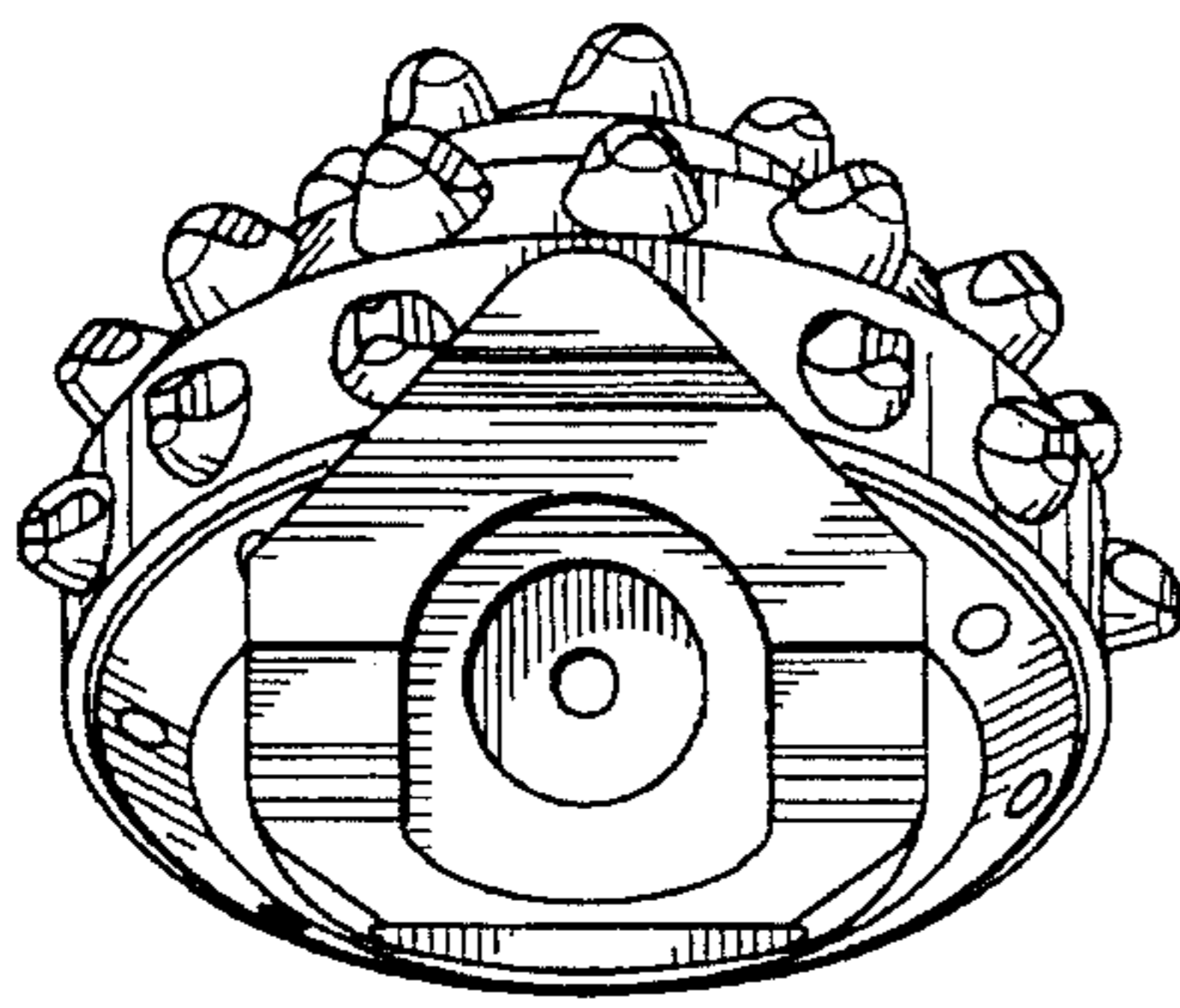


FIG. 4

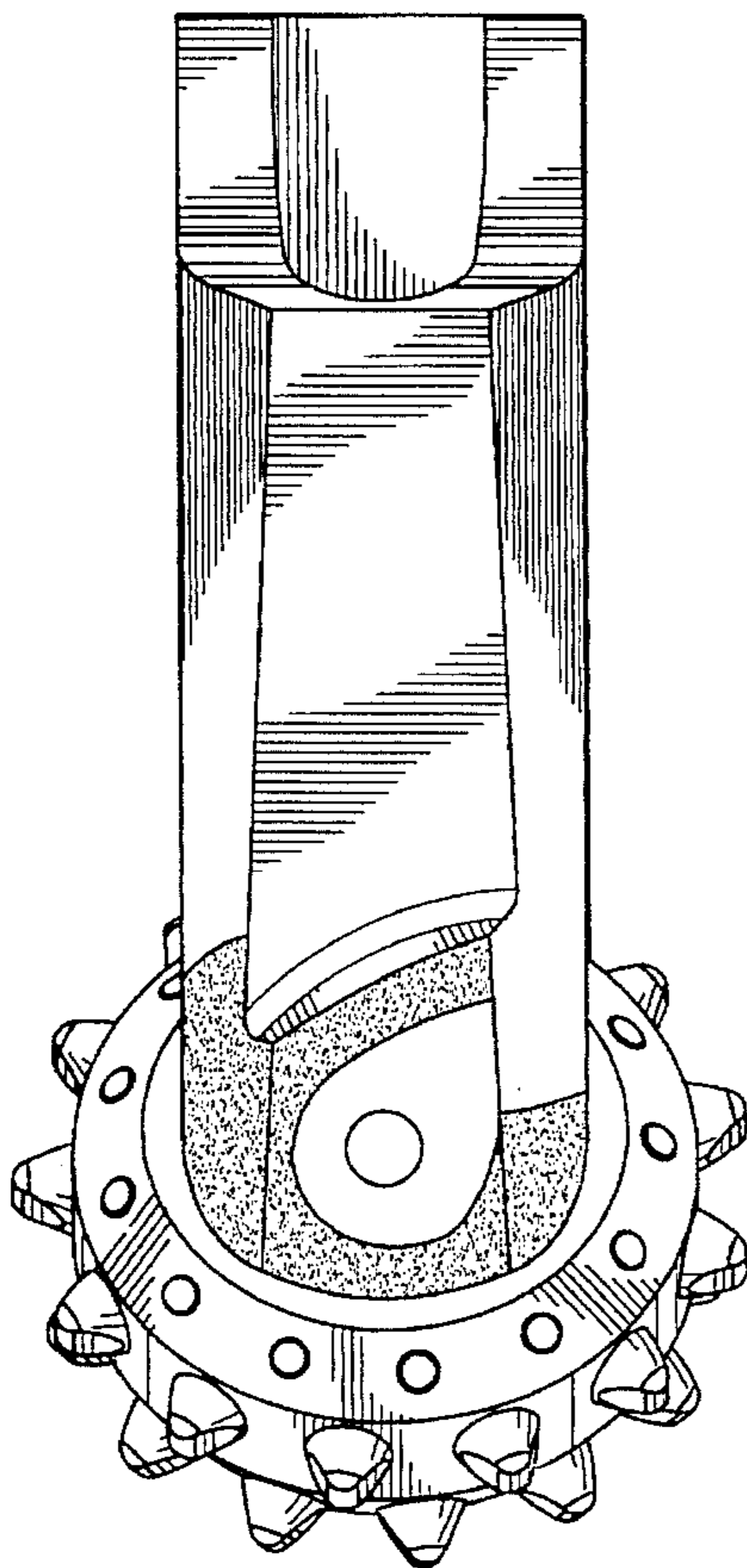


FIG. 5

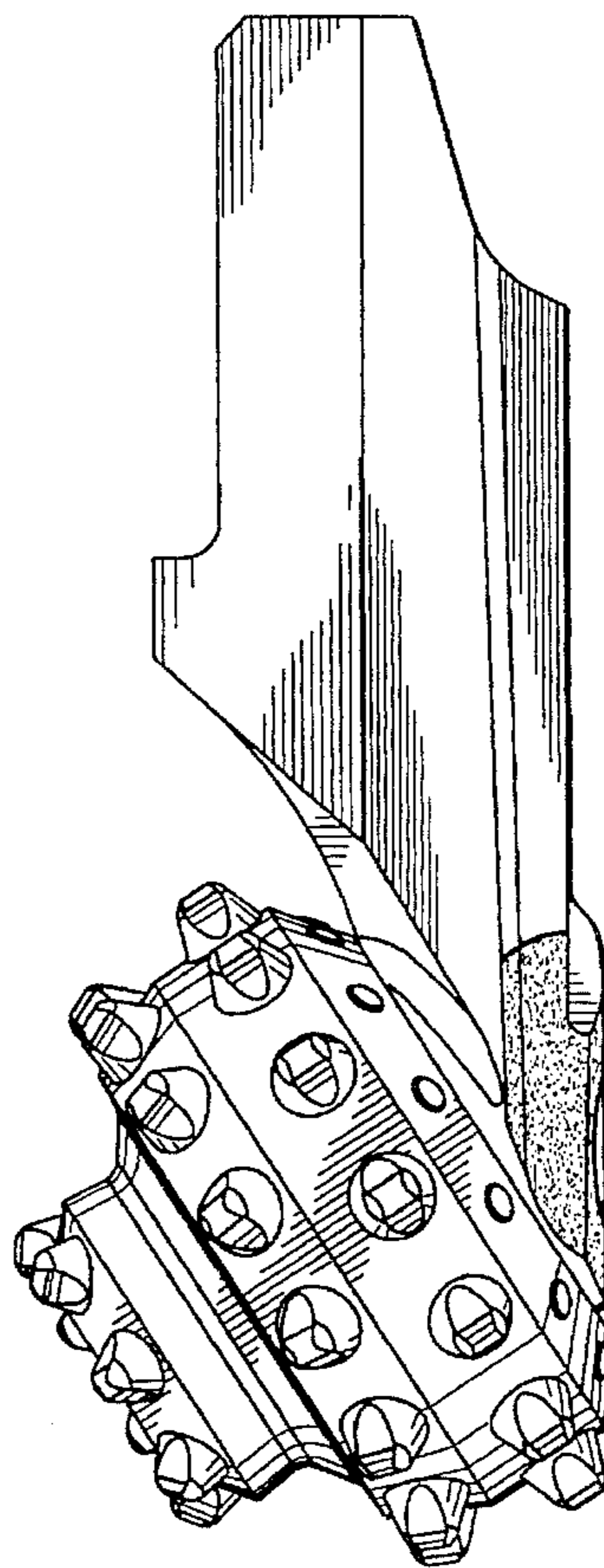


FIG. 6

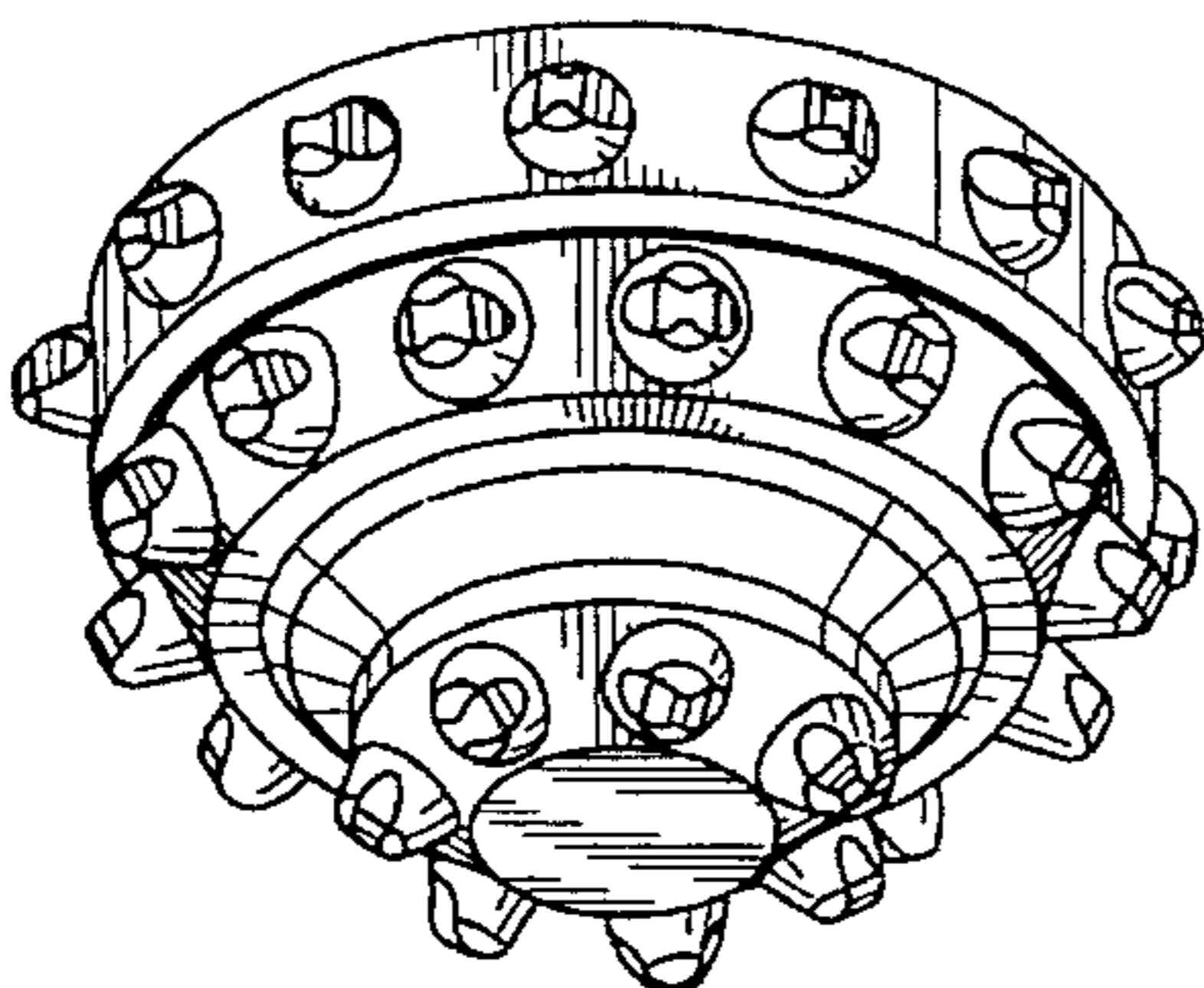


FIG. 7