



US00D372251S

United States Patent [19]
Bohncke

[11] **Patent Number: Des. 372,251**
[45] **Date of Patent: **Jul. 30, 1996**

[54] **PUMP**
[75] **Inventor: Hendrikus G. Bohncke, Arendonk, Belgium**

D. 140,758 4/1945 Badgley D15/7
D. 210,706 4/1968 Zalis et al. D15/7
D. 215,882 11/1969 Svenson D15/7
4,856,971 8/1989 Koble, Jr. D15/7
5,234,322 8/1993 Daniels et al. 417/403

[73] **Assignee: Hendor Pompen B.V., NK Bladel, Netherlands**

Primary Examiner—Ralf Seifert
Attorney, Agent, or Firm—Ladas & Parry

[**] **Term: 14 Years**

[57] **CLAIM**

[21] **Appl. No.: 41,611**

The ornamental design for a pump, as shown and described.

[22] **Filed: Jul. 19, 1995**

DESCRIPTION

[30] **Foreign Application Priority Data**

FIG. 1 shows a left view showing my design;
FIG. 2 shows a back view thereof;
FIG. 3 shows a right side view thereof;
FIG. 4 shows a front view thereof;
FIG. 5 shows a left side view thereof;
FIG. 6 shows a top view thereof; and,
FIG. 7 shows a bottom view thereof.

Apr. 12, 1995 [WO] WIPO DMA002868

[52] **U.S. Cl. D15/7**

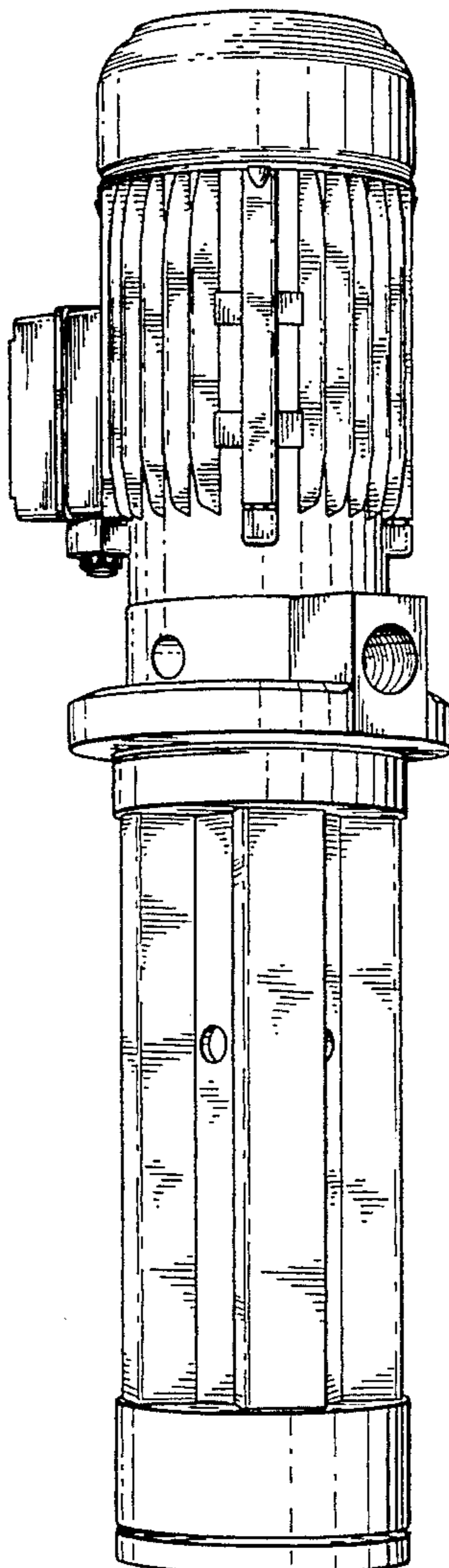
[58] **Field of Search D15/7-9; 415/121.6; 417/423.3, 423.15**

[56] **References Cited**

U.S. PATENT DOCUMENTS

D. 137,612 4/1944 Flanagan et al. D15/7

1 Claim, 3 Drawing Sheets



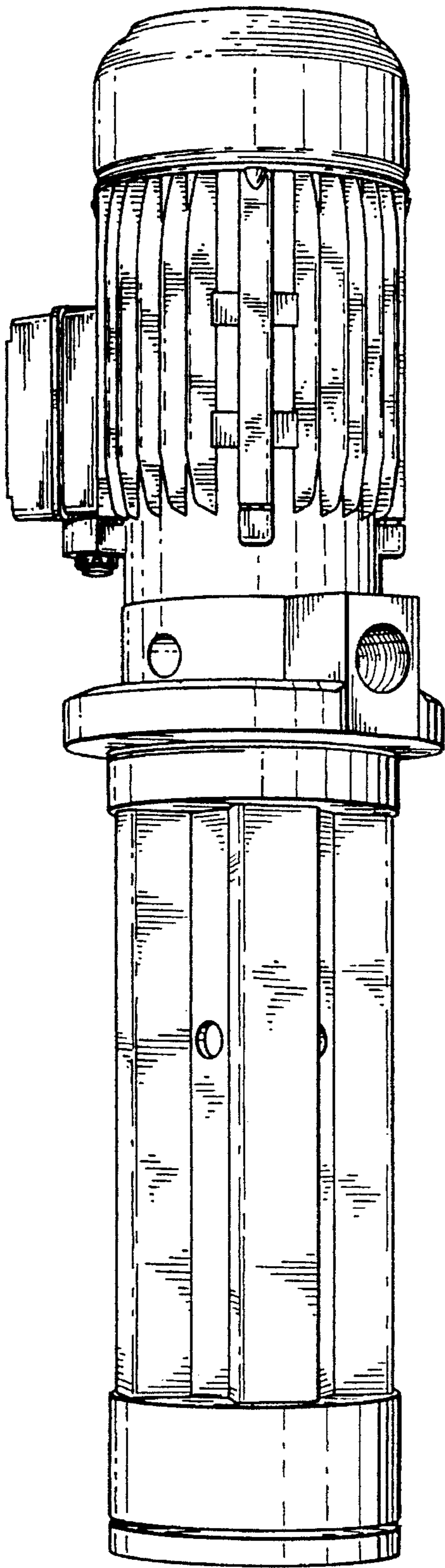


FIG. 1

FIG. 6

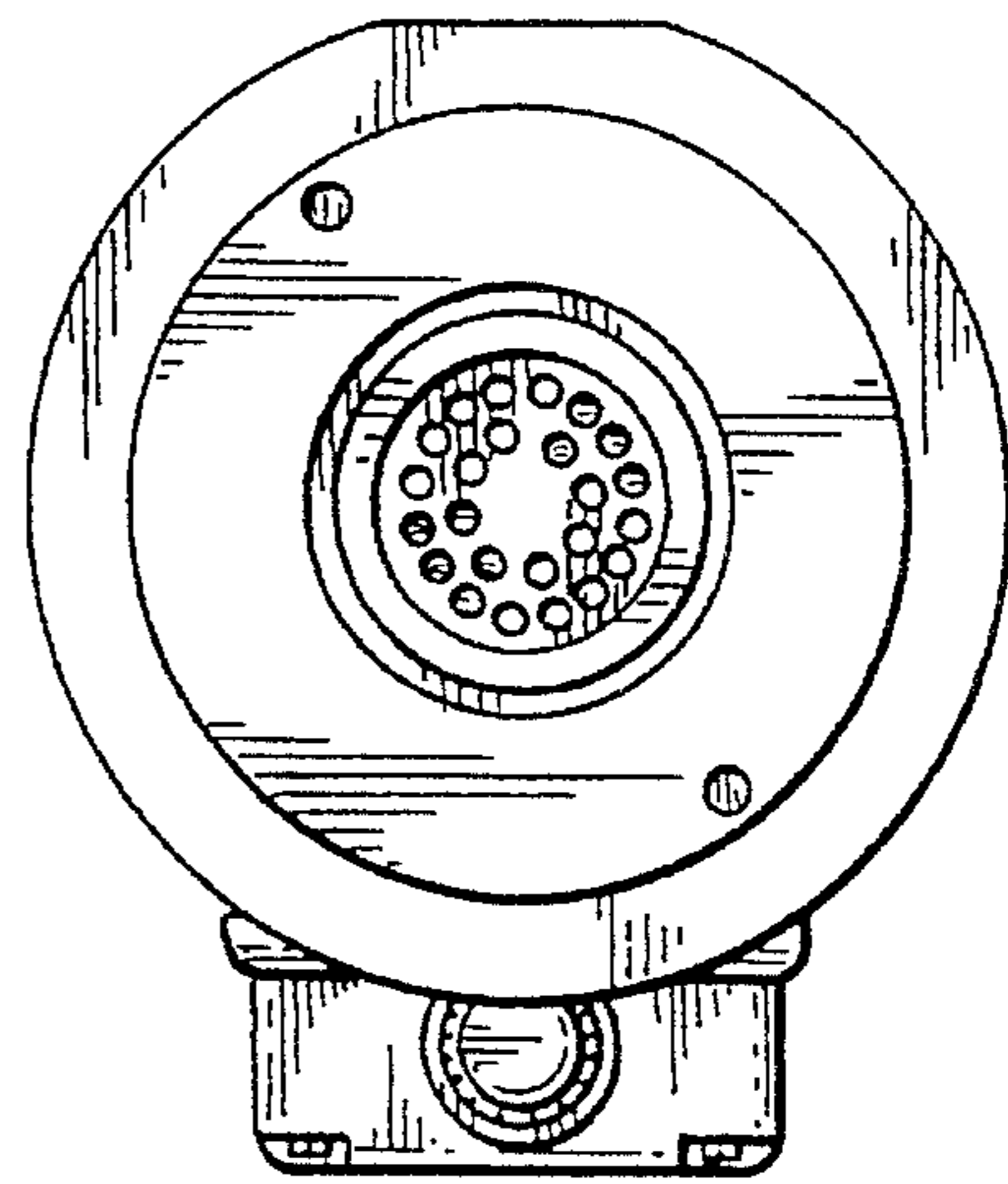
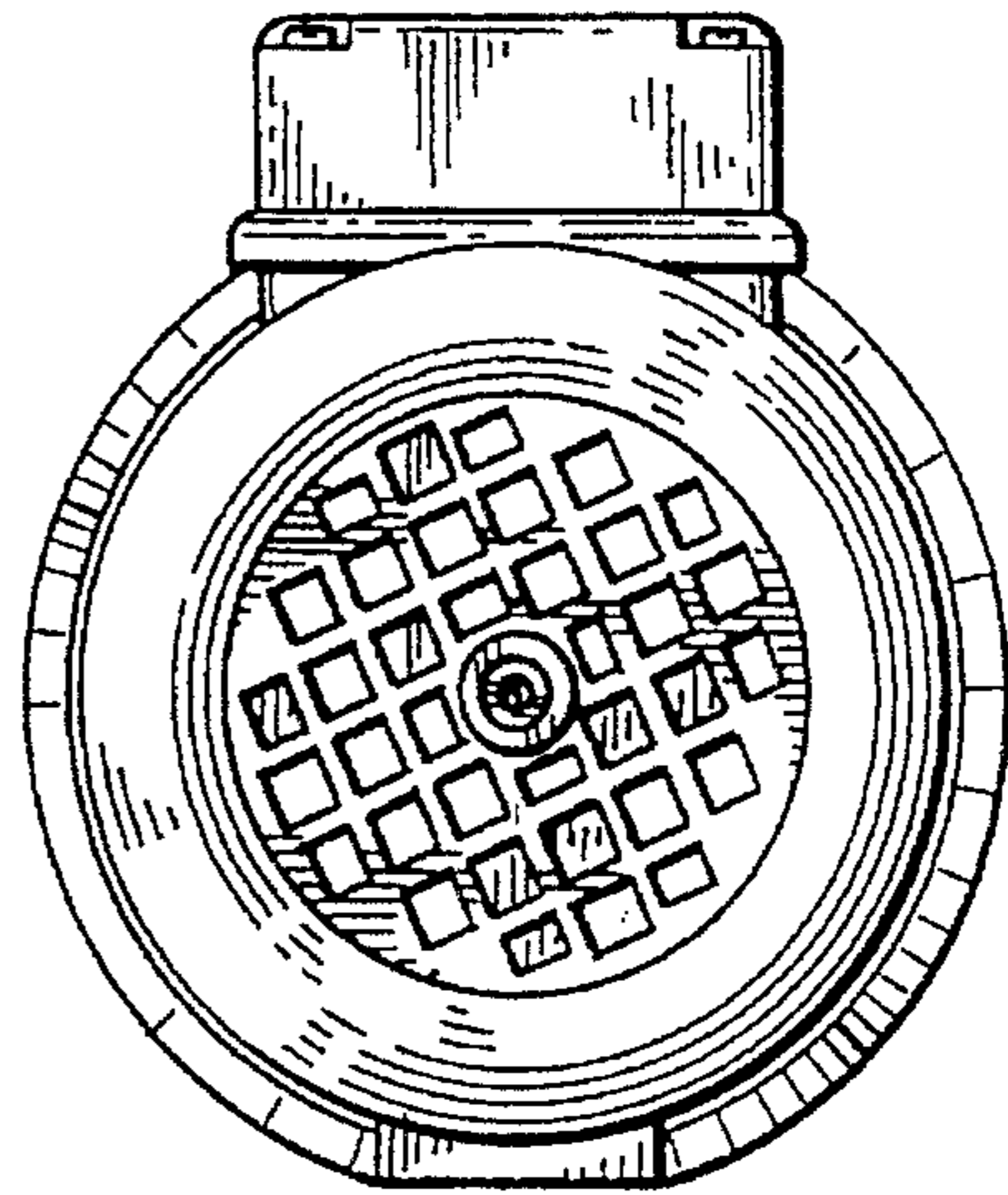


FIG. 7

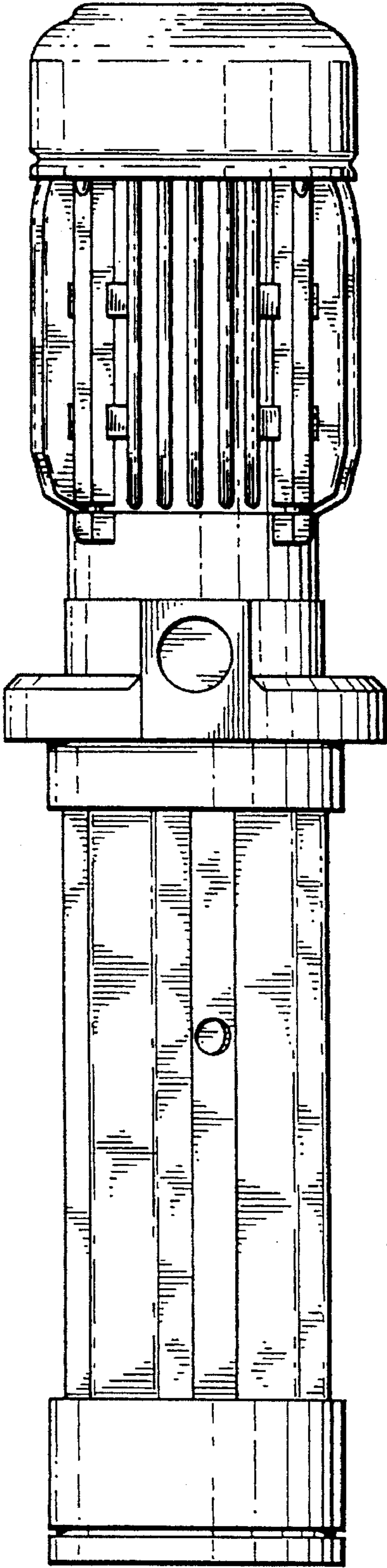


FIG. 2

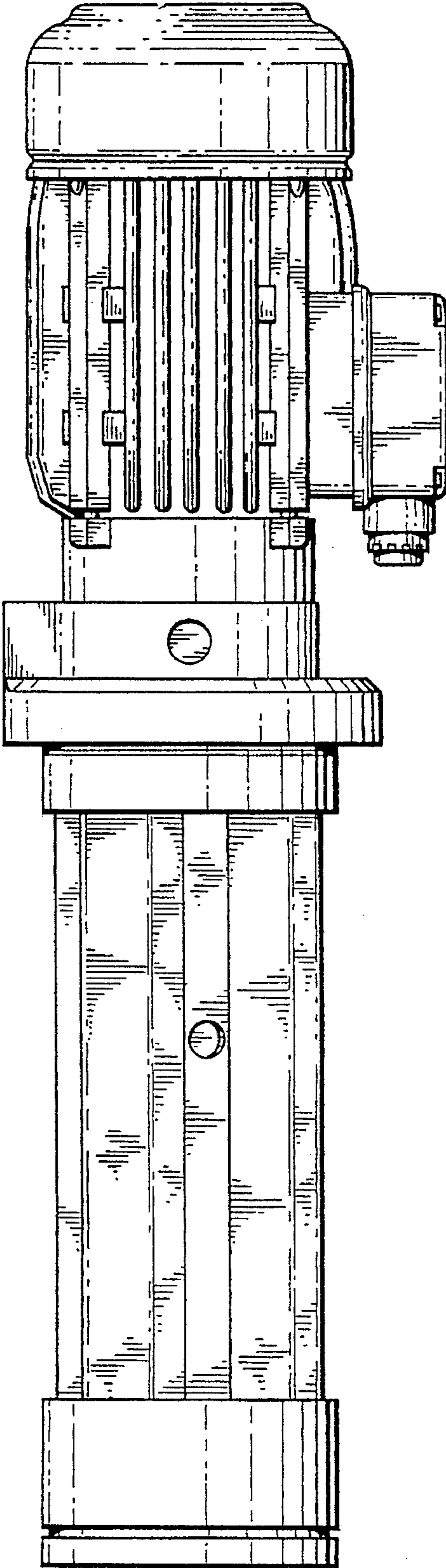


FIG. 3

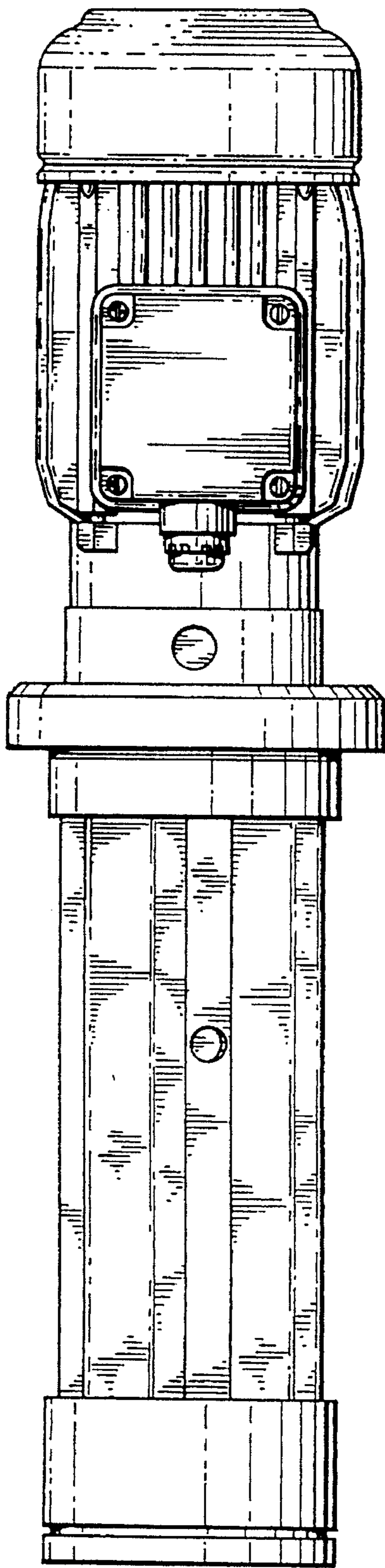


FIG. 4

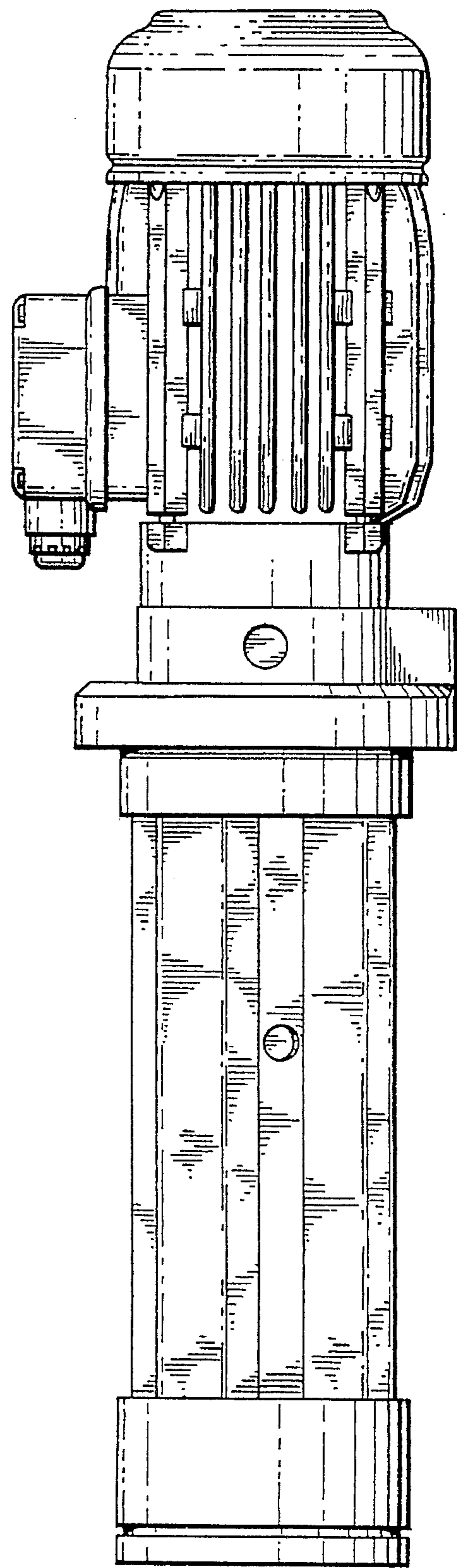


FIG. 5