



US00D372249S

United States Patent [19] Pinchuk

[11] Patent Number: **Des. 372,249**

[45] Date of Patent: ****Jul. 30, 1996**

[54] **SOUND GENERATOR UNIT**

4,124,022 11/1978 Gross 446/397
4,333,258 6/1982 McCaslin 446/397

[75] Inventor: **Rene Pinchuk**, Kensington, Calif.

OTHER PUBLICATIONS

[73] Assignee: **Sharper Image Corporation**, San Francisco, Calif.

The Sharper Image Catalog, Feb., 1994, cover.

[**] Term: **14 Years**

Primary Examiner—Sandra L. Morris

Attorney, Agent, or Firm—Flehr, Hohbach, Test, Albritton & Herbert

[21] Appl. No.: **27,235**

[57] CLAIM

[22] Filed: **Aug. 16, 1994**

The ornamental design for a sound generator unit, as shown and described.

[52] U.S. Cl. **D14/299**

[58] Field of Search D14/154, 155,
D14/158, 217, 299, 160; 181/153; 381/73.1;
446/397, 404, 419

DESCRIPTION

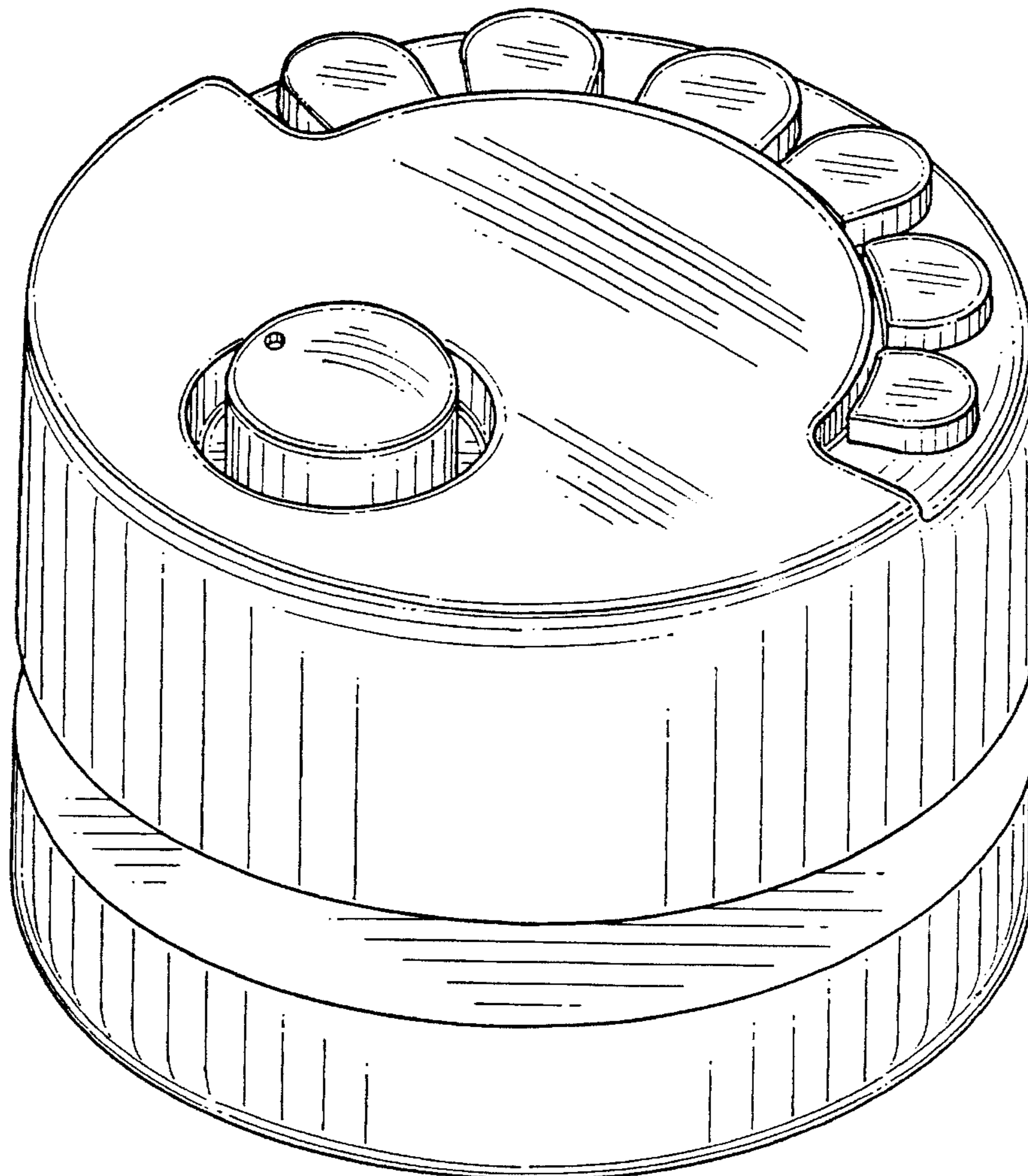
[56] References Cited

U.S. PATENT DOCUMENTS

| | | | | |
|------------|---------|-----------------|-------|----------|
| D. 307,146 | 4/1990 | Samson | | D14/155 |
| D. 324,048 | 2/1992 | Tanaka | | D14/217 |
| D. 339,351 | 9/1993 | Matsuoka et al. | | D14/217 |
| D. 342,739 | 12/1993 | Atkin et al. | | D14/217 |
| D. 347,008 | 5/1994 | Theisen et al. | | D14/160 |
| 4,052,564 | 10/1977 | Propst et al. | | 381/73.1 |

FIG. 1 is a perspective view of a sound generator unit;
FIG. 2 is a front elevational view;
FIG. 3 is a top view;
FIG. 4 is a left side elevational view;
FIG. 5 is a right side elevational view;
FIG. 6 is a rear elevational view; and,
FIG. 7 is a bottom view.

1 Claim, 4 Drawing Sheets



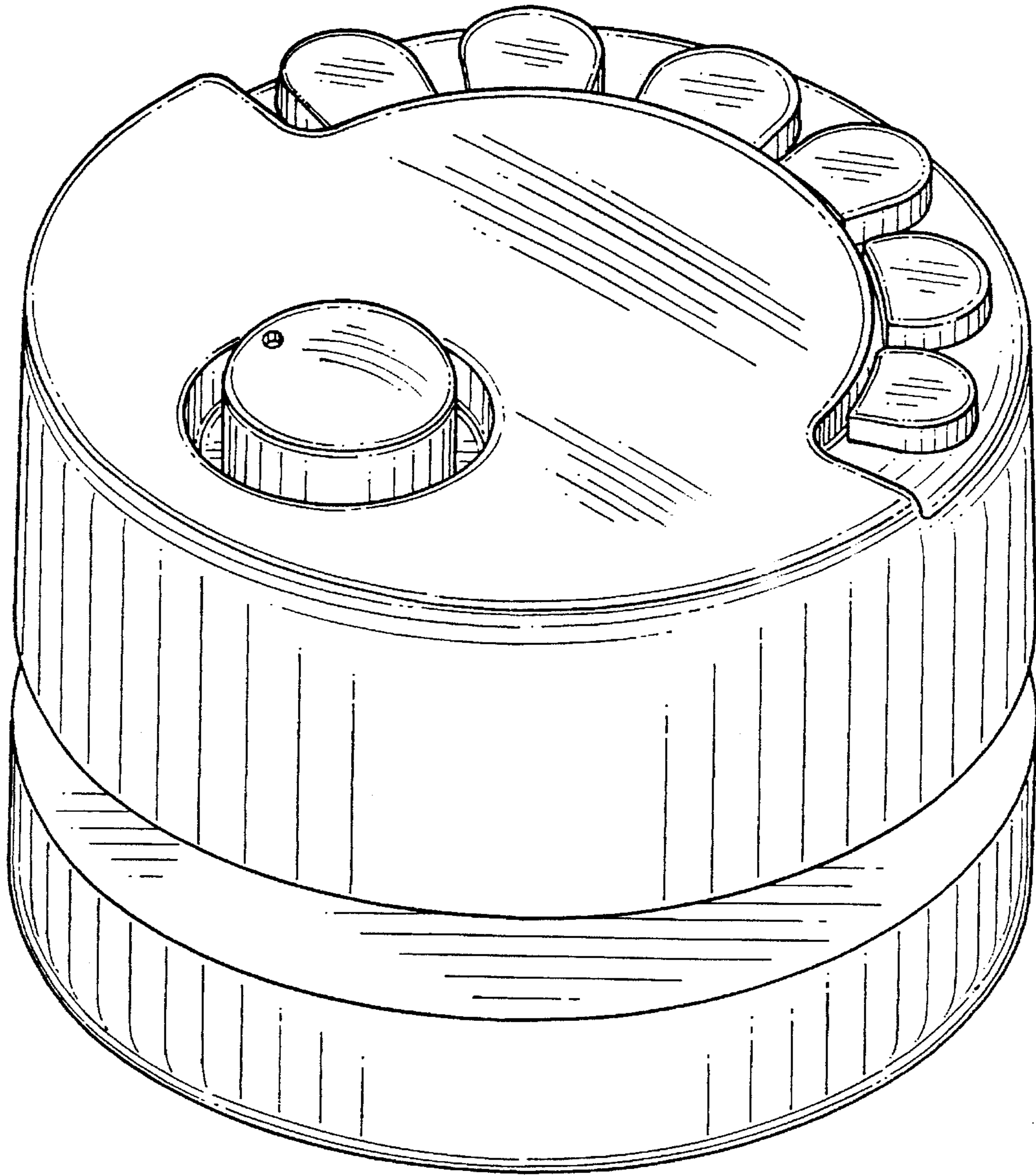


FIG. 1

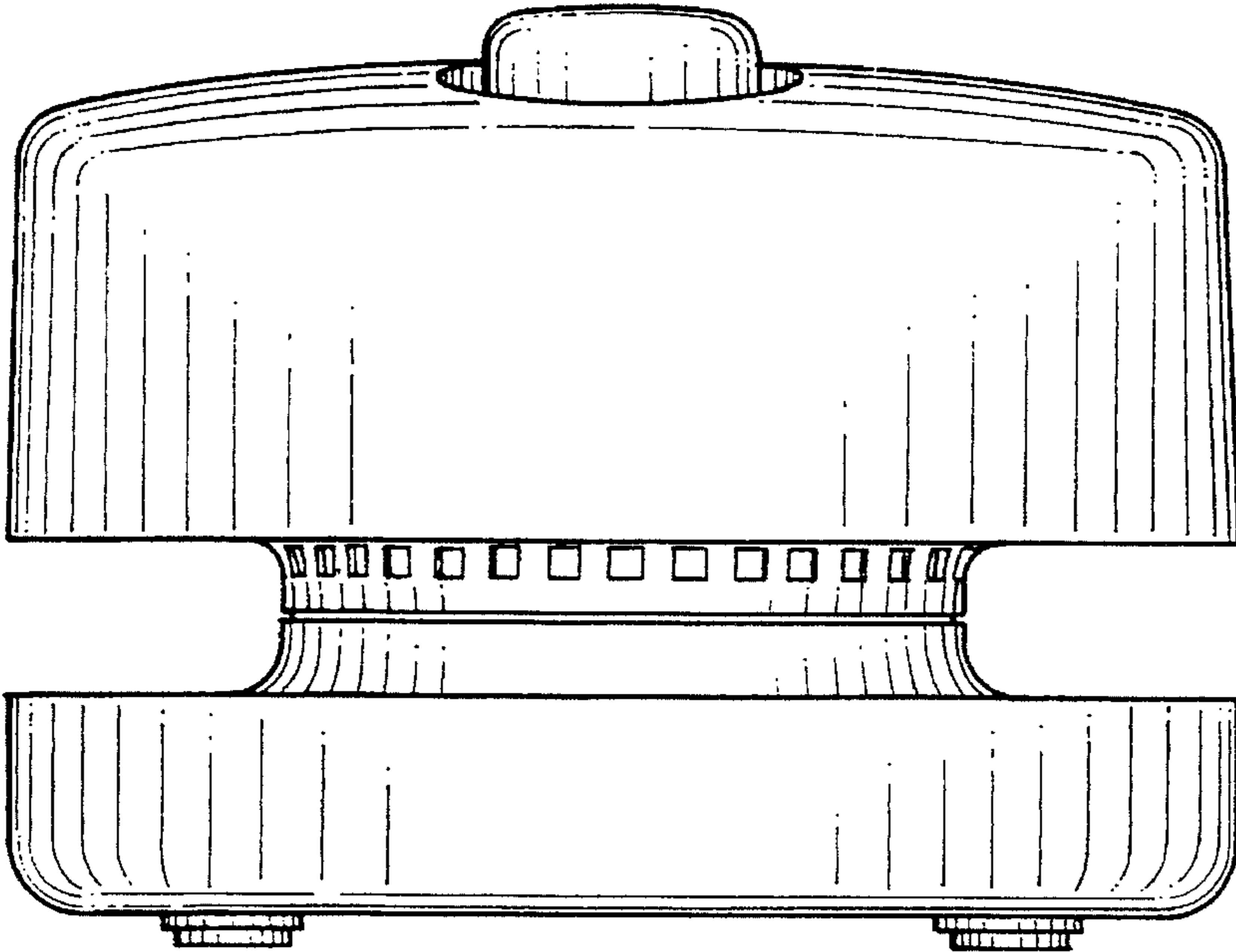


FIG. 2

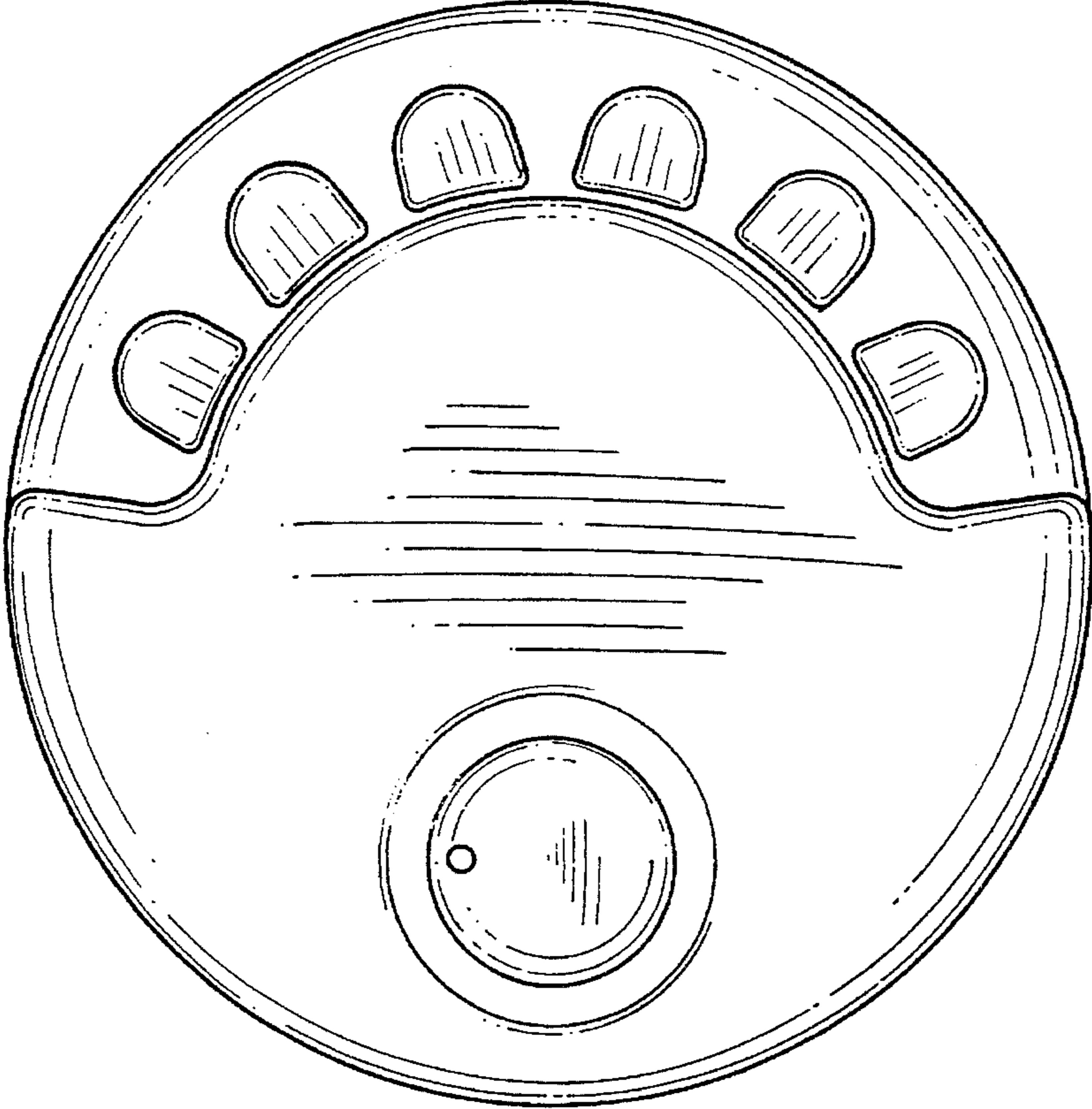


FIG. 3

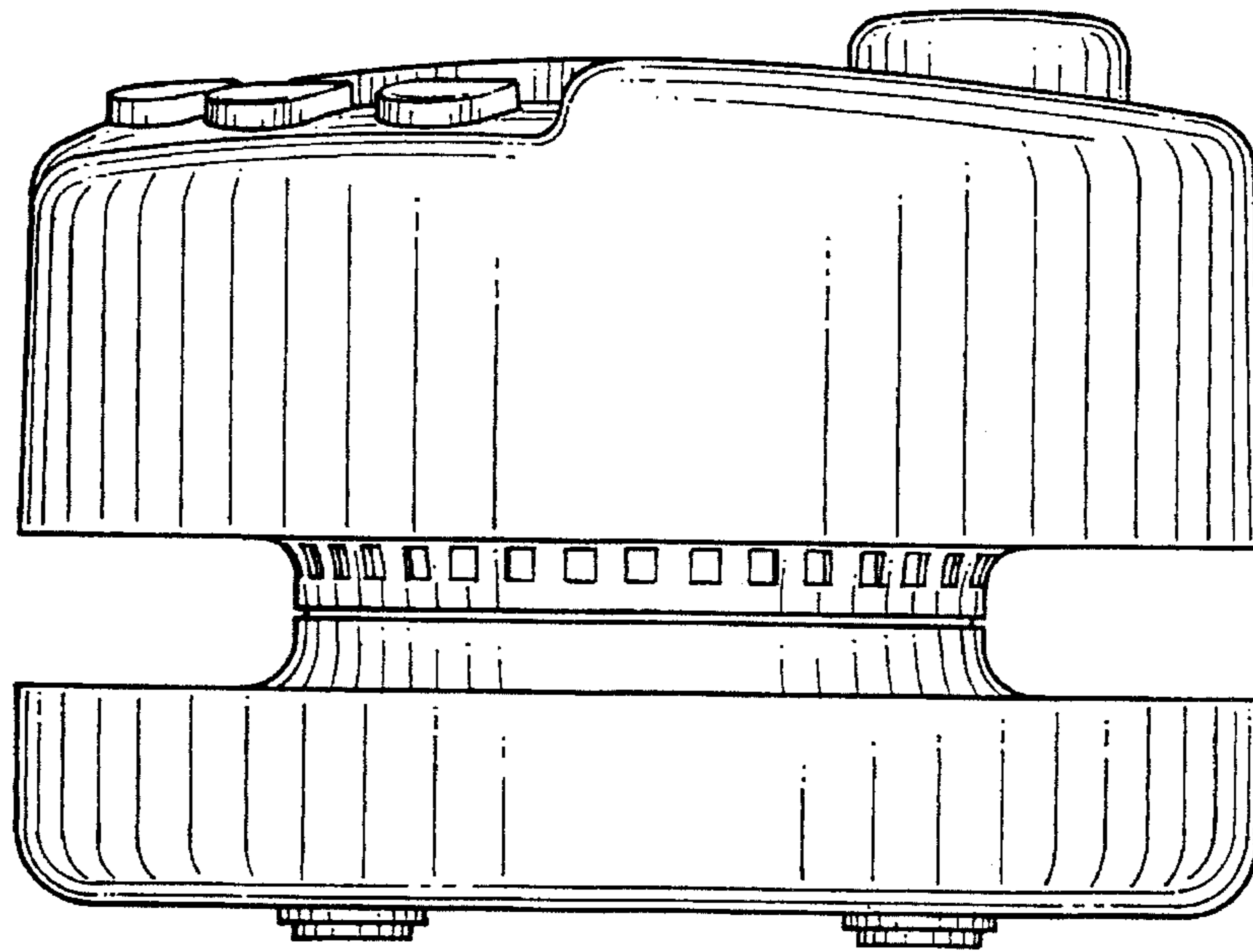


FIG. 4

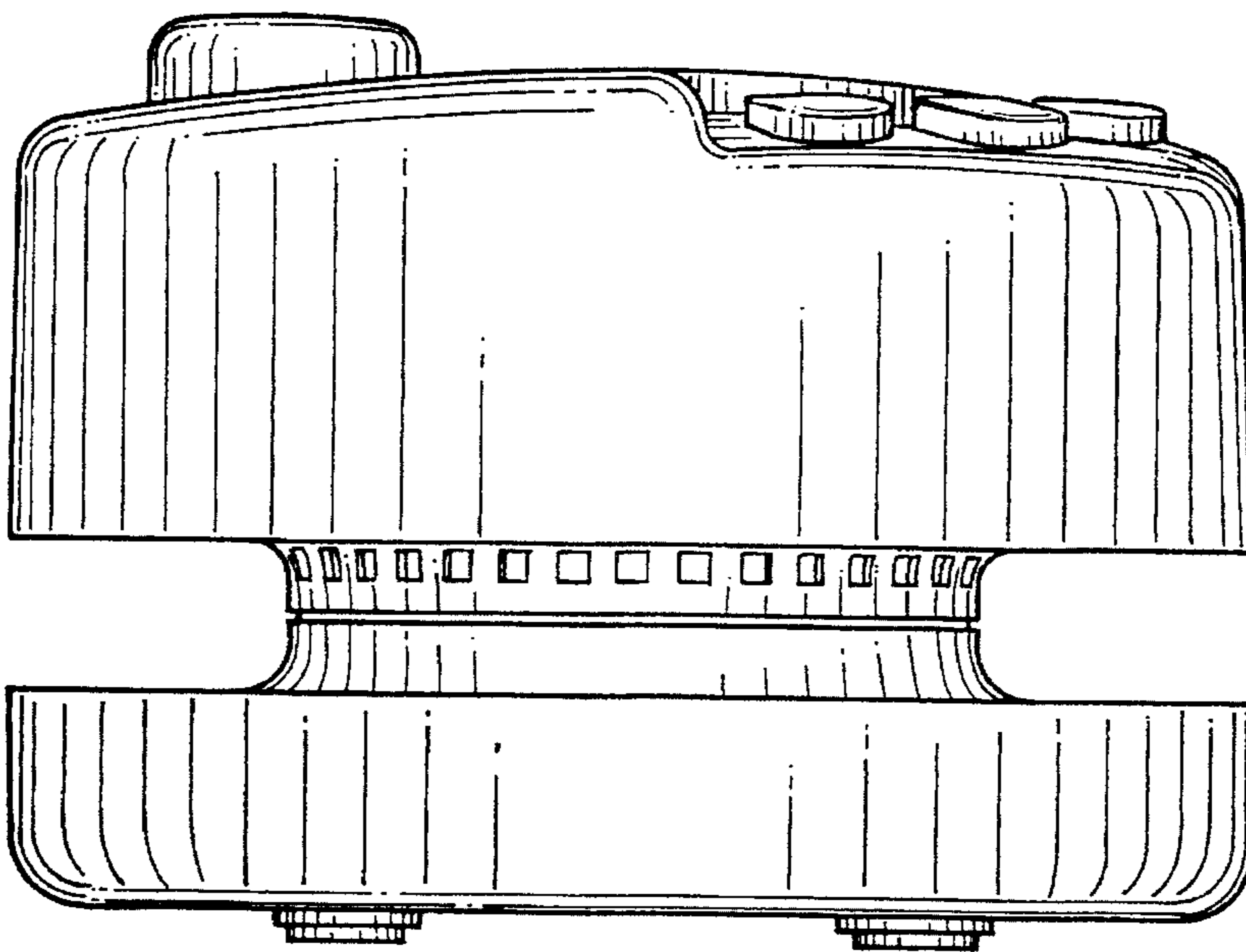


FIG. 5

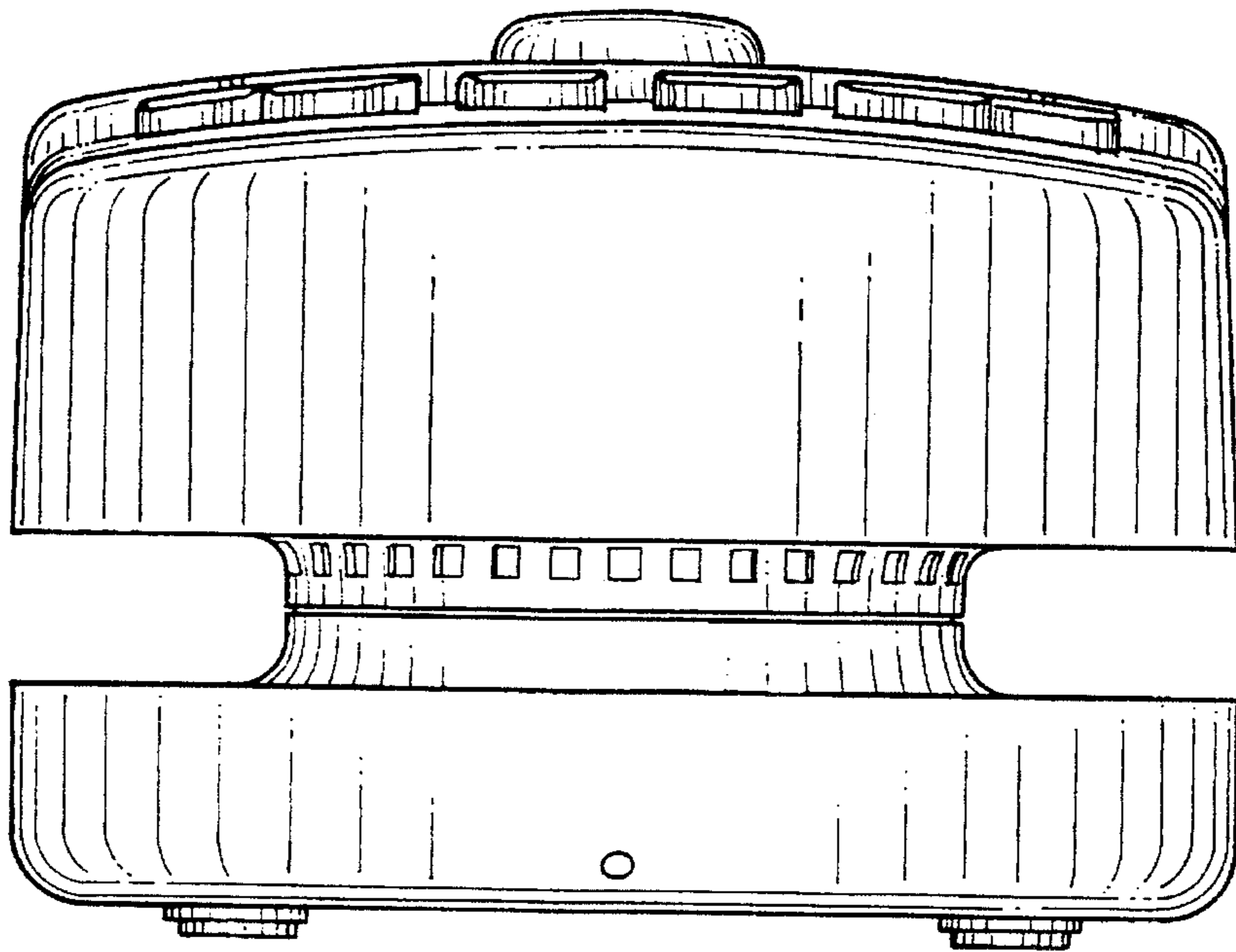


FIG. 6

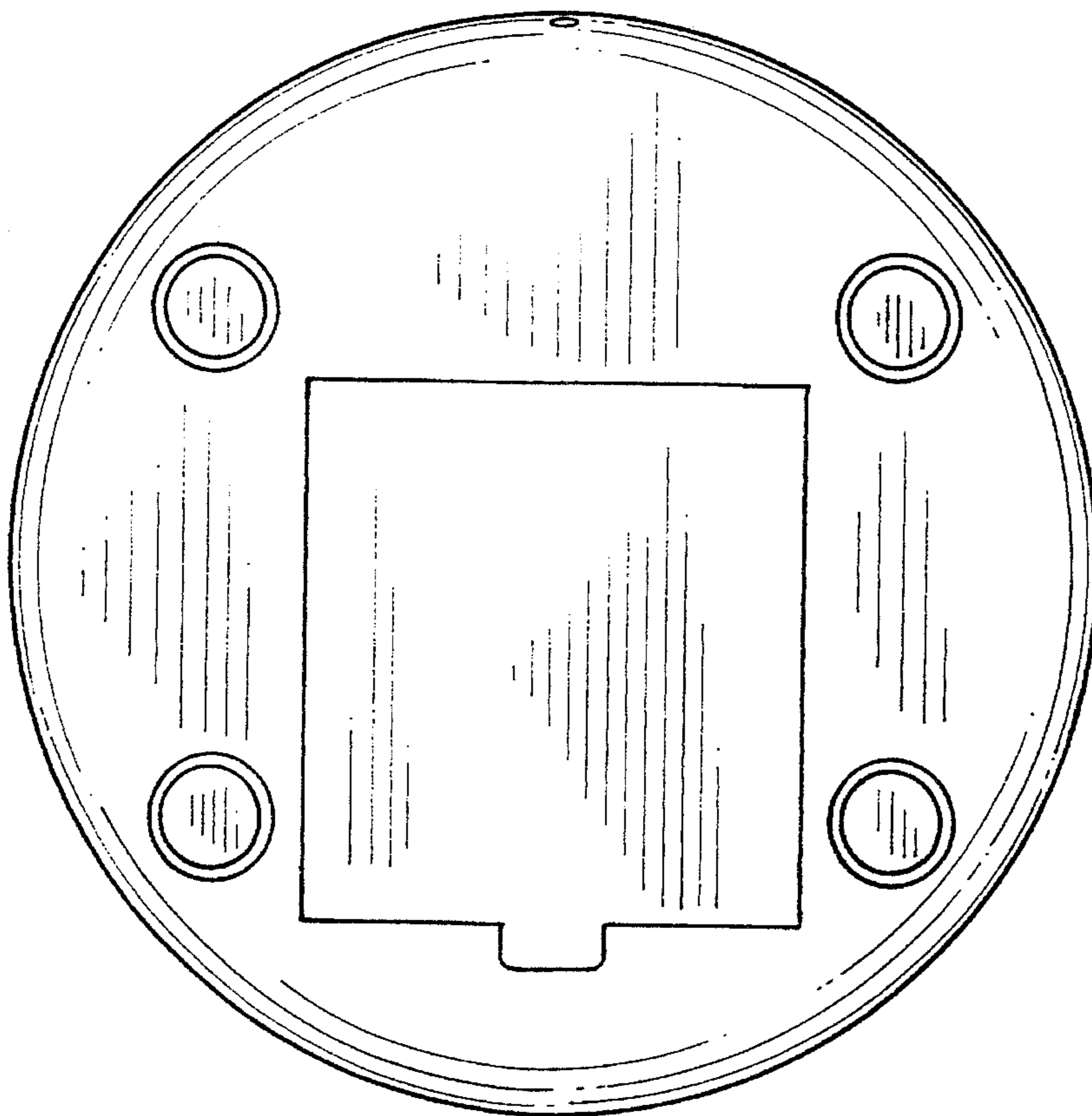


FIG. 7