



US00D372243S

# United States Patent [19] Thorley

[11] Patent Number: Des. 372,243

[45] Date of Patent: \*\*Jul. 30, 1996

[54] **ROLLBAR SPEAKER**

[76] Inventor: **Neil R. Thorley**, 1631 E. Weathervane La., Tempe, Ariz. 85283

[\*\*] Term: **14 Years**

[21] Appl. No.: **35,449**

[22] Filed: **Feb. 27, 1995**

[52] U.S. Cl. .... **D14/215; D14/204**

[58] Field of Search ..... **D14/204, 207, D14/209-215; 181/144-145, 147-148, 150, 157, 159, 198, 199; 381/24, 88, 90-91, 153, 159, 186, 188**

[56] **References Cited**

**U.S. PATENT DOCUMENTS**

D. 225,865	1/1973	Sjostedt et al. ....	D14/212
D. 227,478	6/1973	Ekdahl et al. ....	D14/212
D. 259,932	7/1981	Hawkins et al. ....	D14/212
D. 274,057	5/1984	Carter .....	D14/214
D. 281,597	12/1985	Matushima .....	D14/214
4,550,230	10/1985	Johnson .....	181/199
5,266,751	11/1993	Taguchi .....	181/199 X

*Primary Examiner*—Sandra L. Morris  
*Assistant Examiner*—Nanda Bondade  
*Attorney, Agent, or Firm*—Warren F. B. Lindsley

[57] **CLAIM**

The ornamental design for a rollbar speaker, as shown and described.

**DESCRIPTION**

FIG. 1 is a front elevational view of a rollbar speaker showing my new design;

FIG. 2 is a rear elevational view of the rollbar speaker;

FIG. 3 is a right elevational view of the rollbar speaker;

FIG. 4 is a left elevational view of the rollbar speaker;

FIG. 5 is a top plan view of the rollbar speaker;

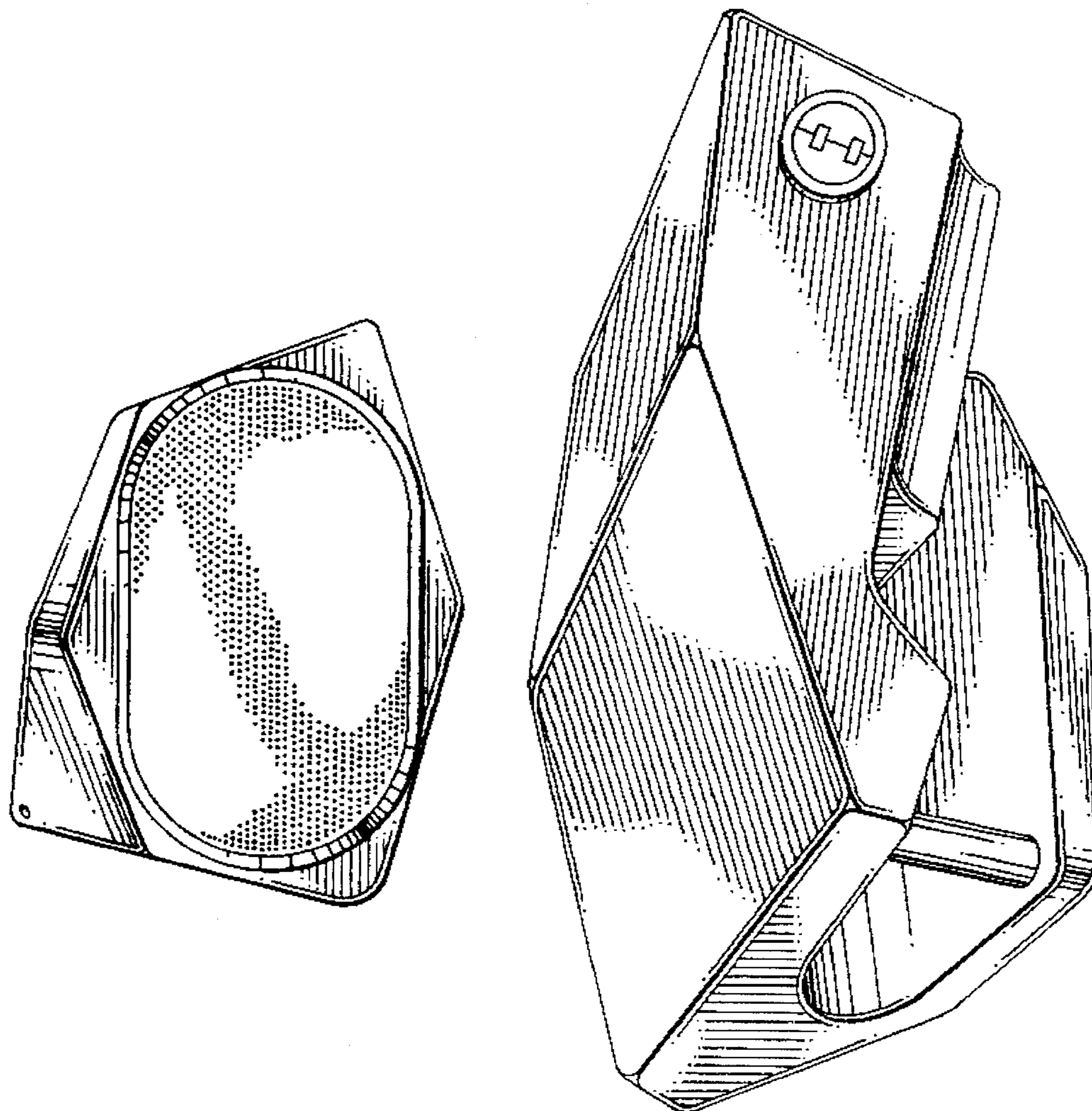
FIG. 6 is a bottom plan view of the rollbar speaker;

FIG. 7 is a top front left perspective view of the rollbar speaker; and,

FIG. 8 is a bottom right rear perspective view of the rollbar speaker.

FIGS. 7 and 8 are on an enlarged scale.

**1 Claim, 2 Drawing Sheets**



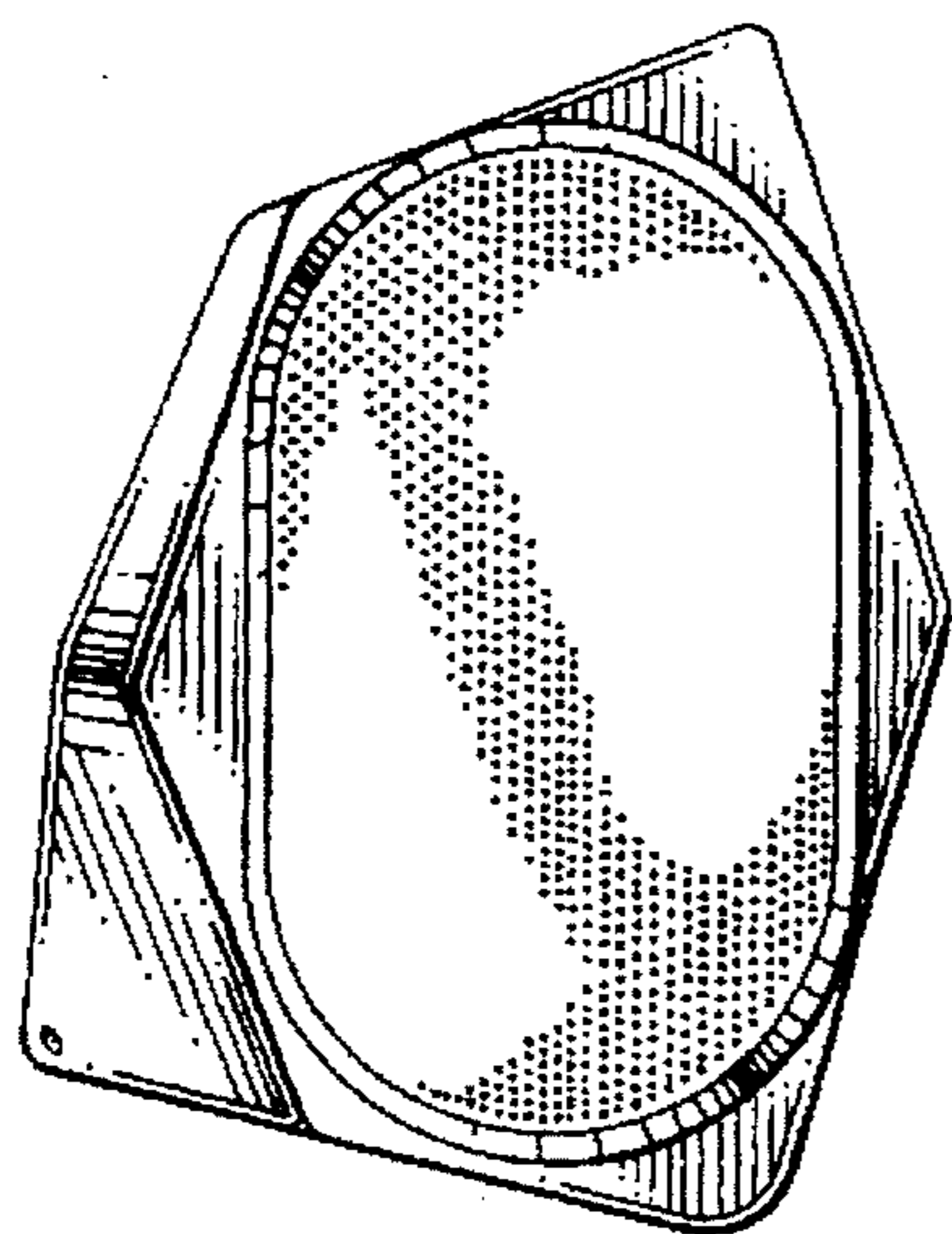


FIG. 1

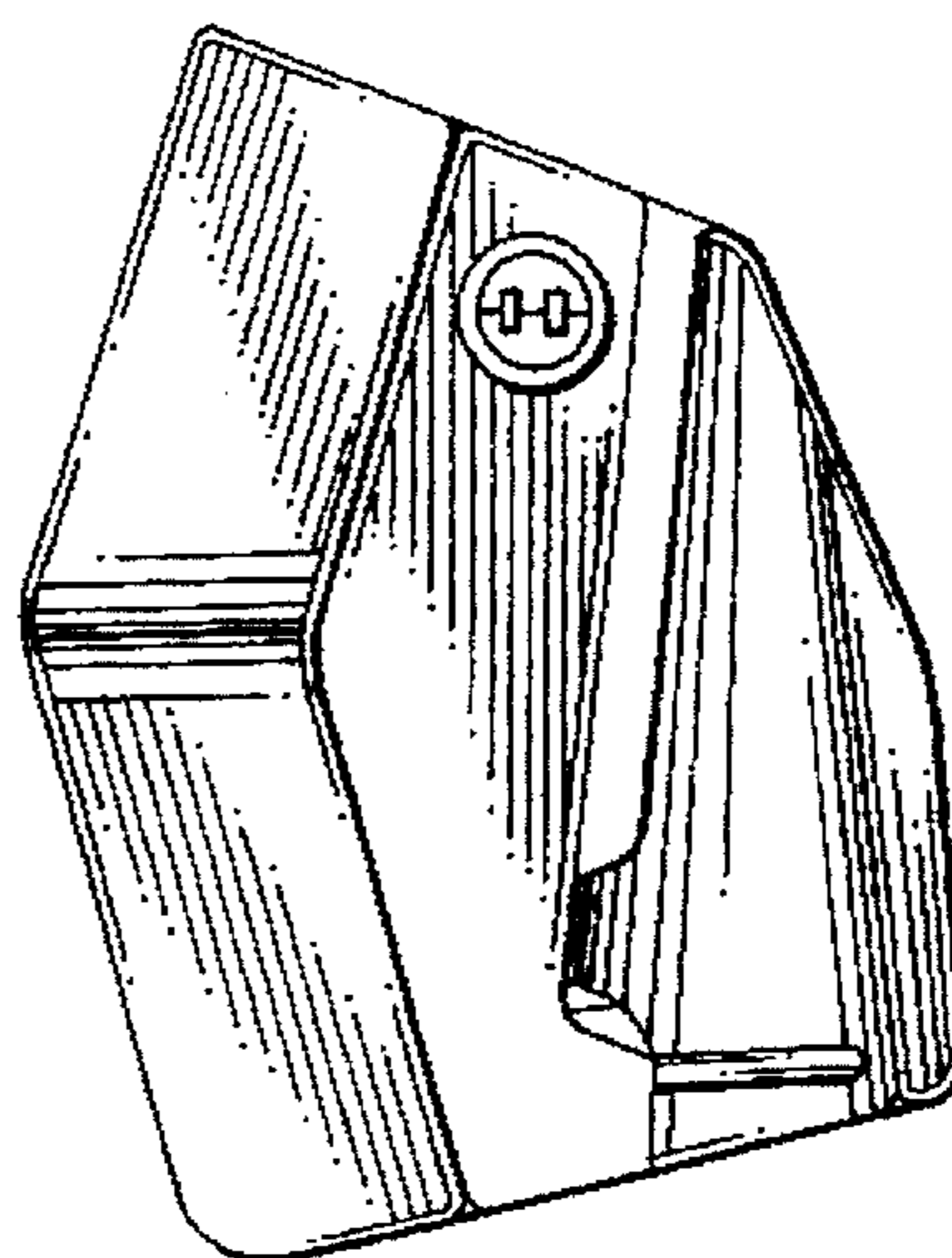


FIG. 2

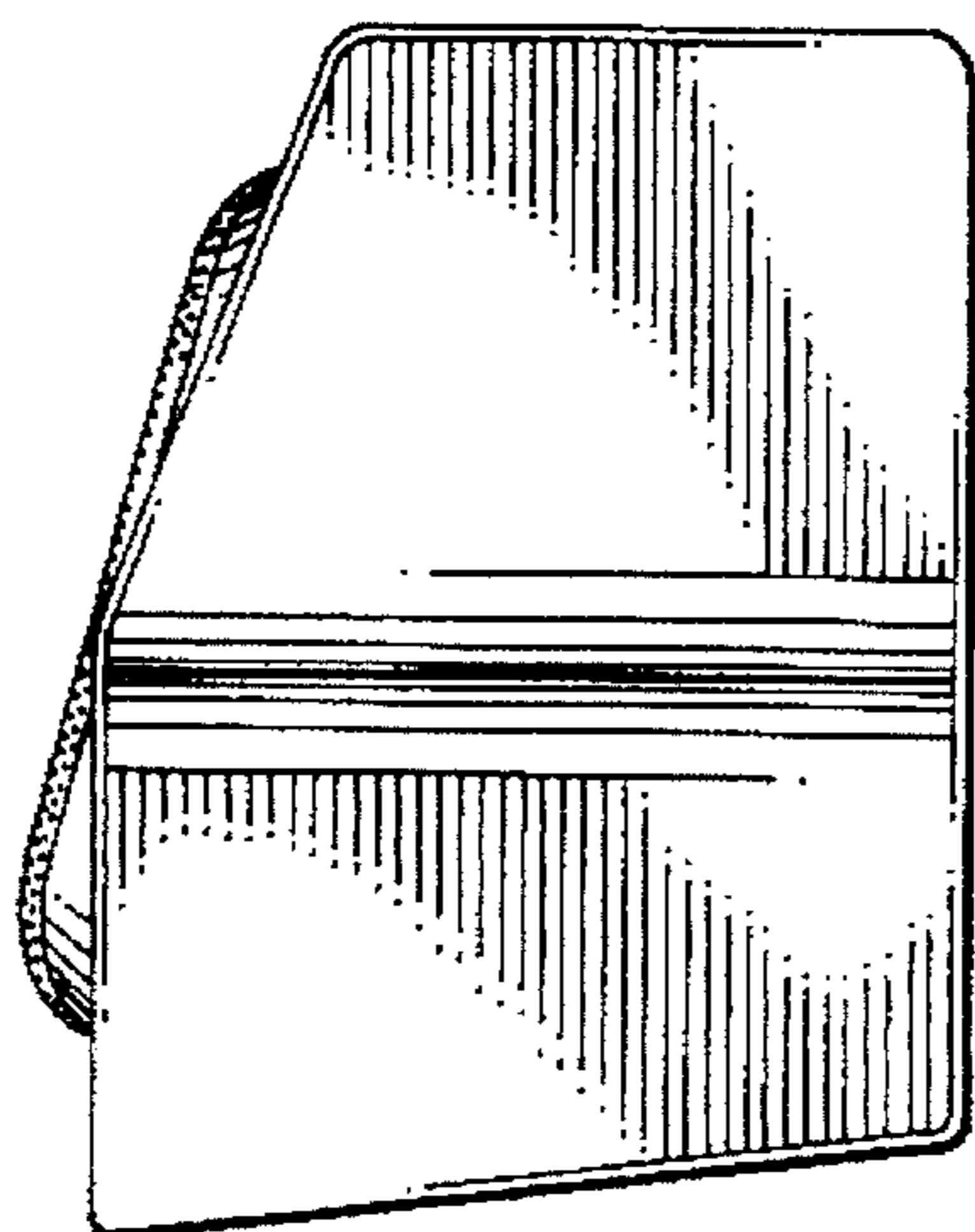


FIG. 3

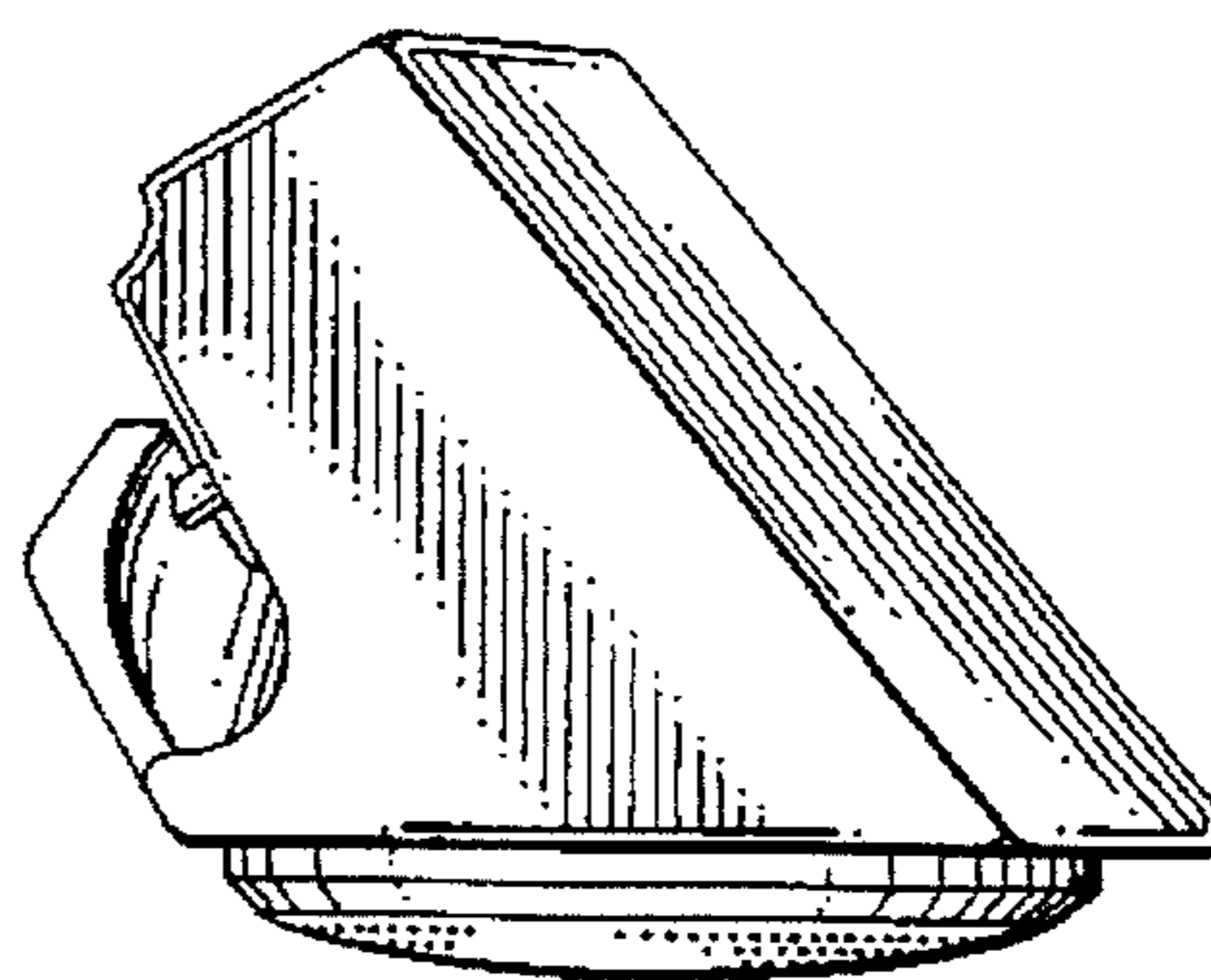


FIG. 5

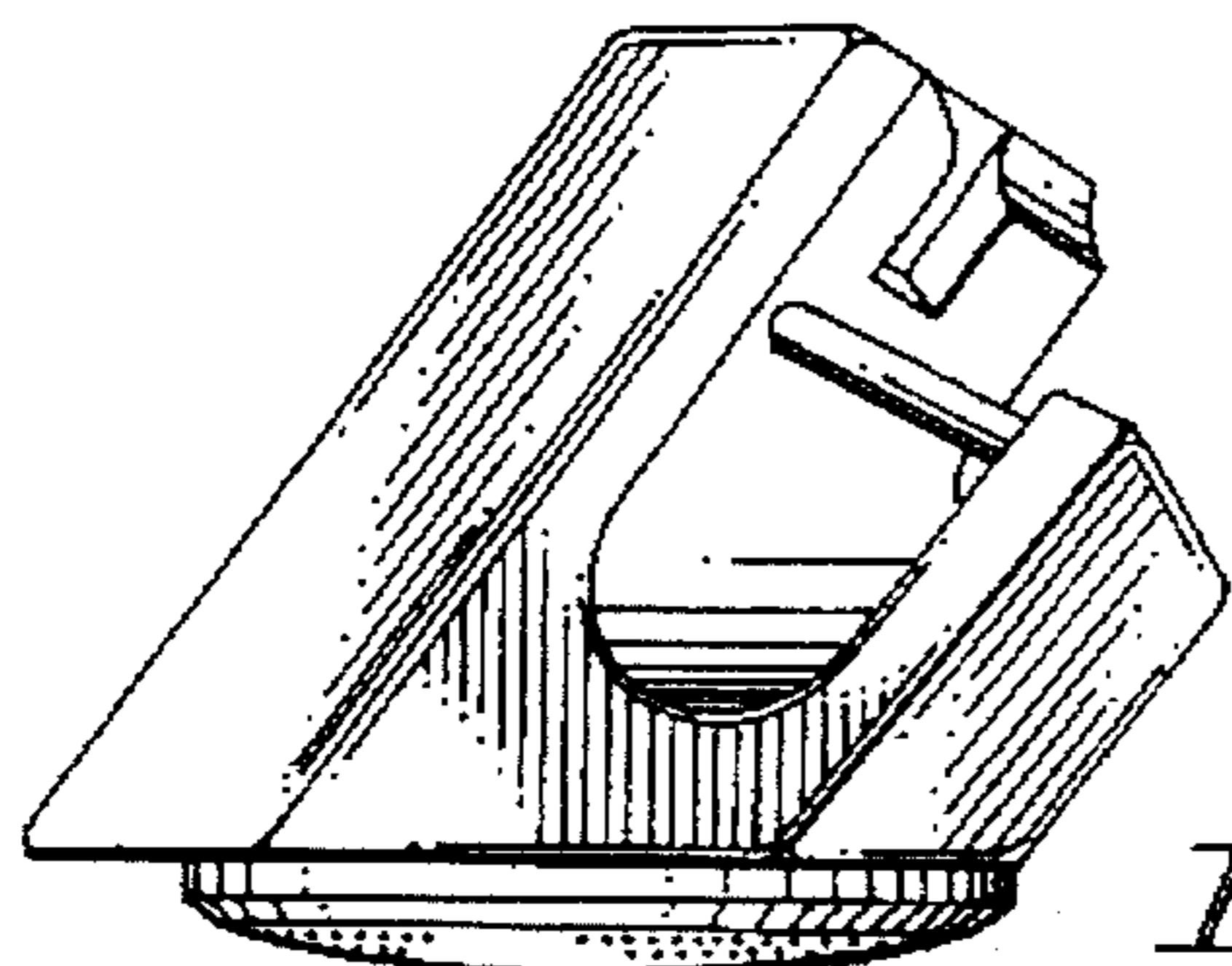


FIG. 6

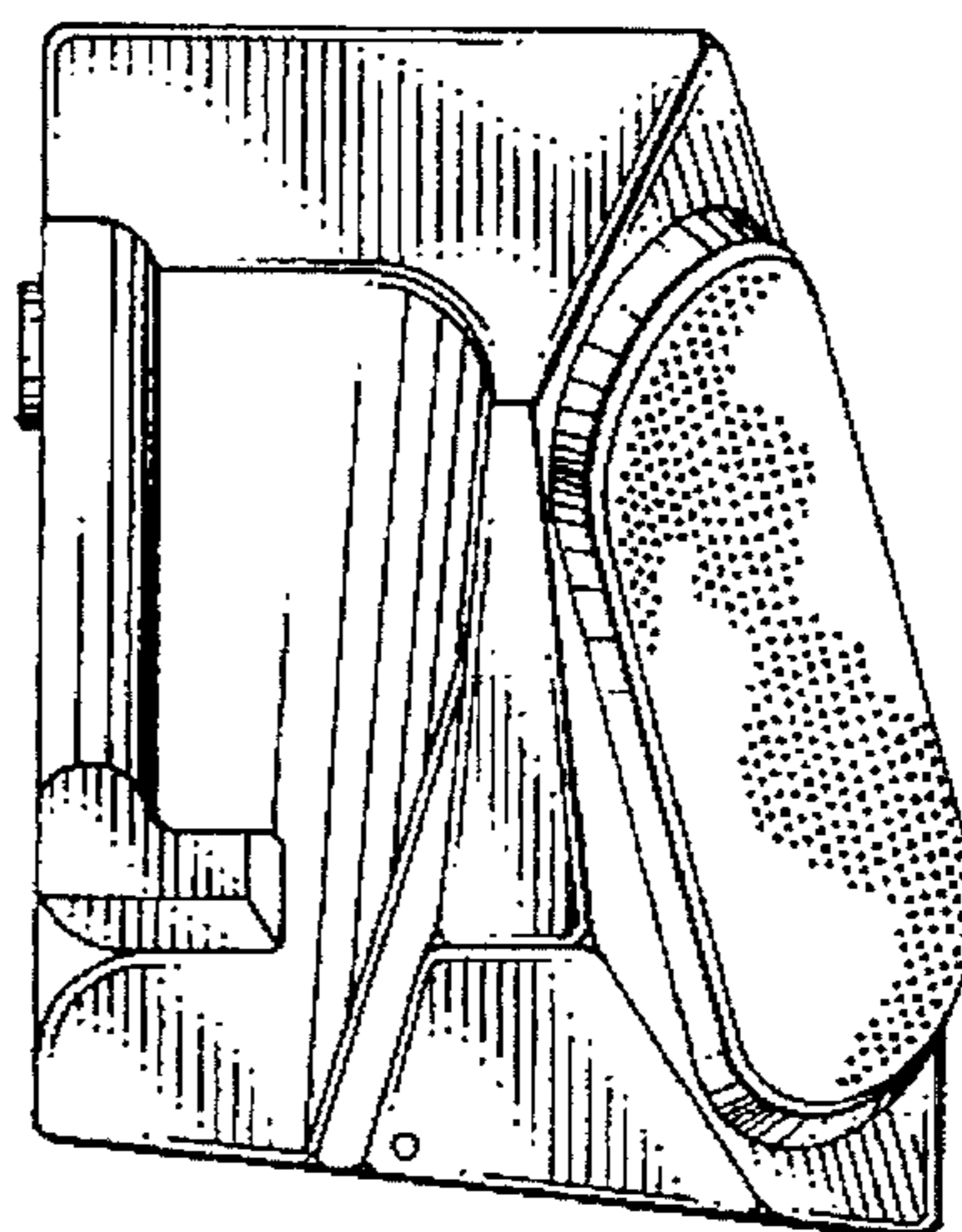
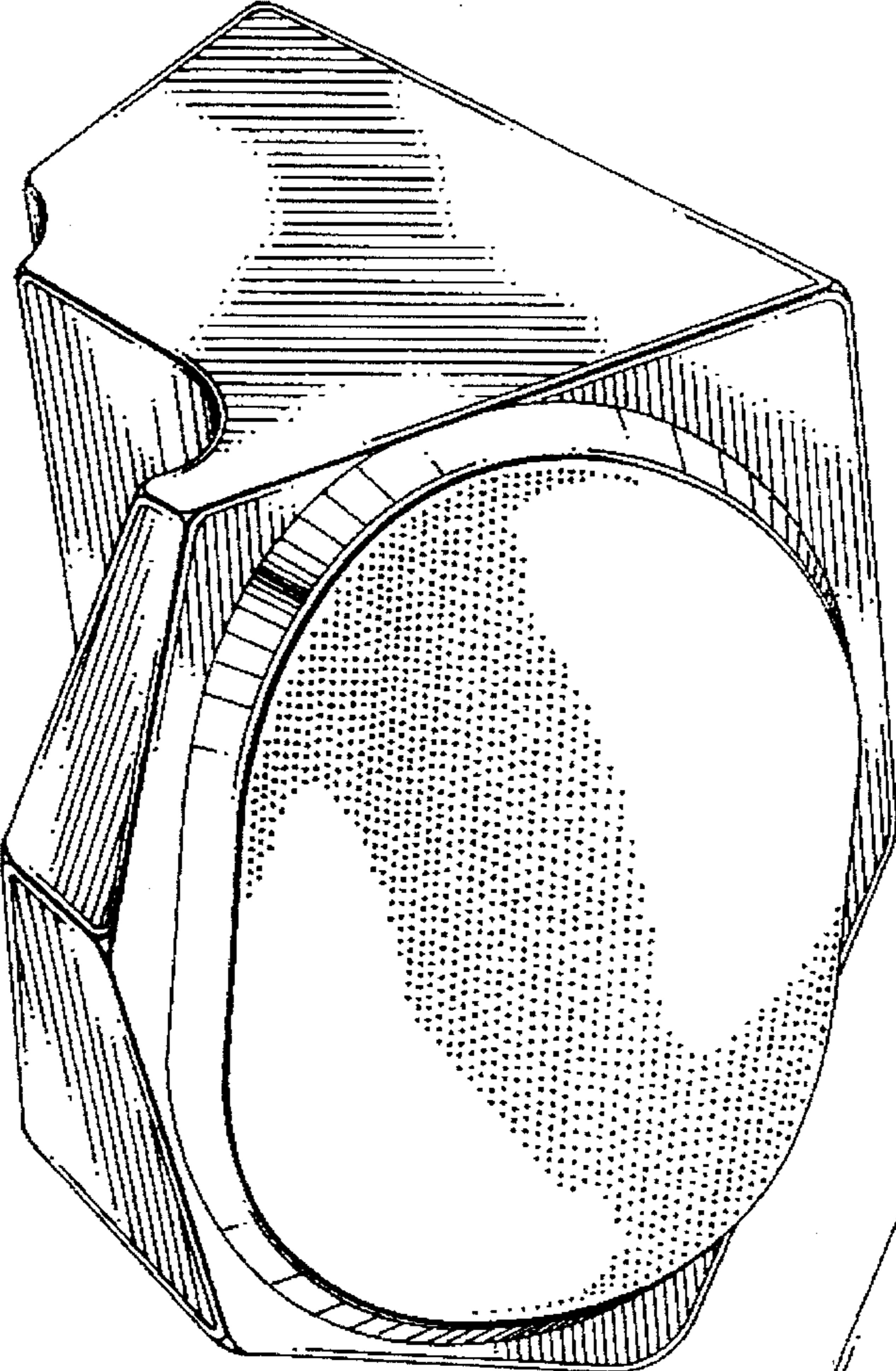
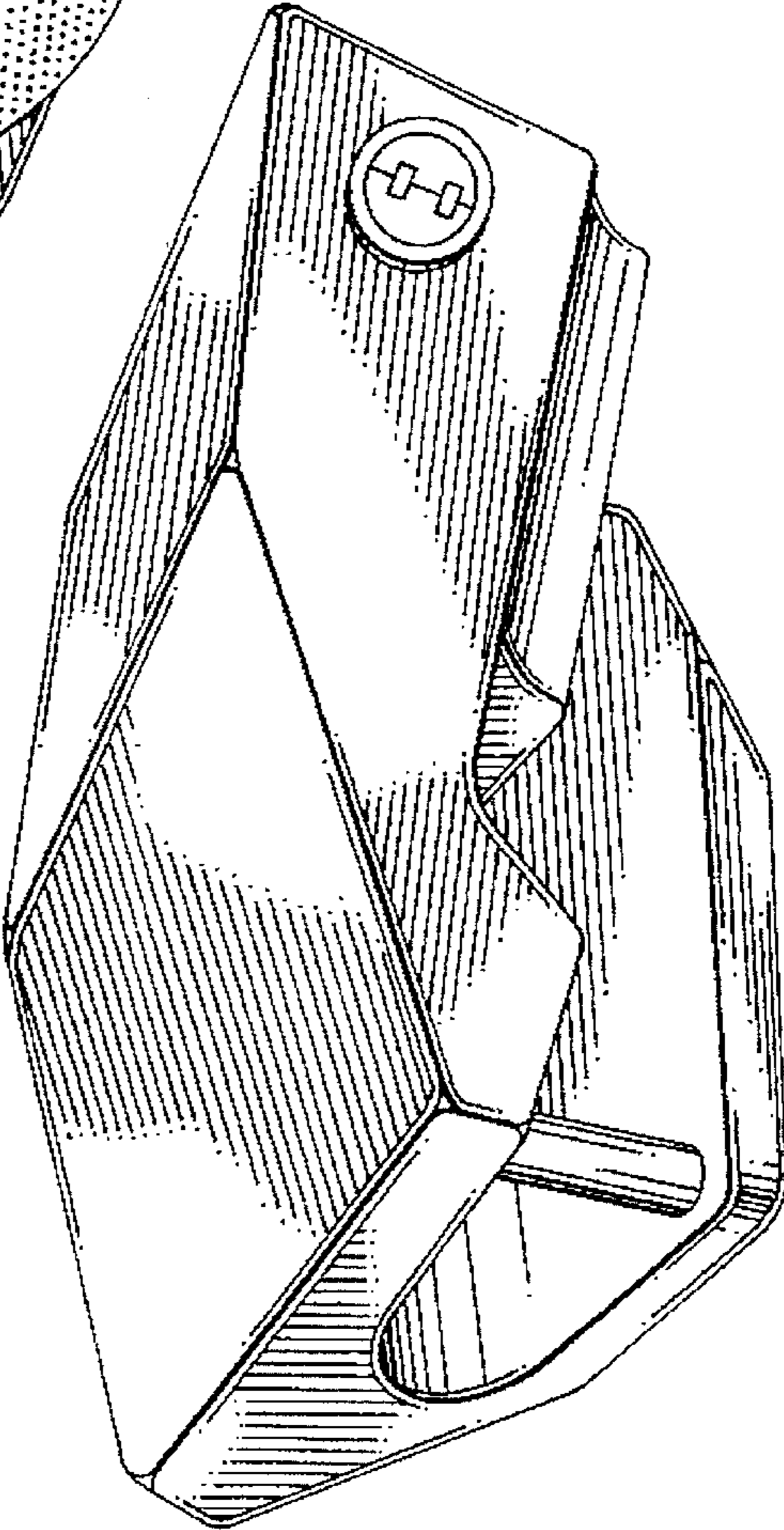


FIG. 4



*FIG. 7*



*FIG. 8*