



US00D372225S

# United States Patent [19]

[11] Patent Number: **Des. 372,225**

**Martino et al.**

[45] Date of Patent: **\*\*Jul. 30, 1996**

- [54] **COMPUTER WITH INTEGRATED TELEPHONE**
- [75] Inventors: **Rocco L. Martino**, Villanova, Pa.;  
**David Conroy**, Brooklyn, N.Y.
- [73] Assignee: **PC Phone, Inc.**, Villanova, Pa.
- [\*\*] Term: **14 Years**
- [21] Appl. No.: **34,033**
- [22] Filed: **Jan. 25, 1995**
- [52] U.S. Cl. .... **D14/101; D14/150**
- [58] Field of Search ..... D14/100, 101,  
D14/106, 113, 115, 130, 142, 144, 147,  
149, 150, 151; D18/1; 235/145 A, 145 R;  
345/104, 156, 168, 173, 901-905, 87; 361/680-686;  
364/708.1, 709.04, 709.12; 400/486, 489

- D. 326,850 6/1992 Joffe et al. .... D14/151 X
- D. 337,570 7/1993 Bevilacqua et al. .... D14/101
- D. 341,583 11/1993 Bevilacqua et al. .... D14/115
- D. 344,074 2/1994 Collins ..... D14/106

*Primary Examiner*—Freda Nunn  
*Attorney, Agent, or Firm*—Woodcock Washburn Kurtz  
 Mackiewicz & Norris

## [57] CLAIM

The ornamental design for a computer with integrated telephone, as shown and described.

## DESCRIPTION

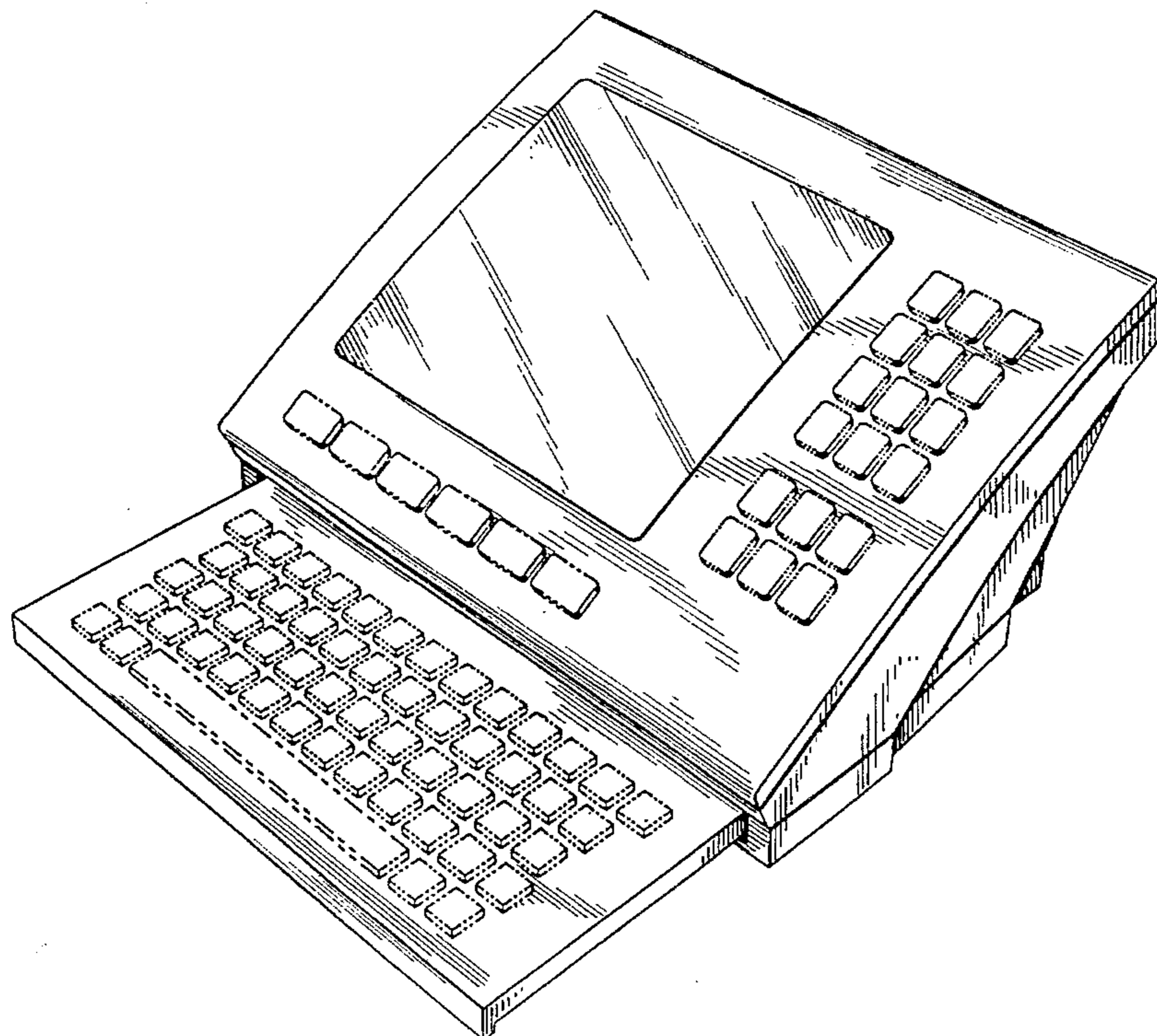
FIG. 1 is a front perspective view of a computer with integrated telephone according to a preferred embodiment of the design;  
 FIG. 2 is a top view of the embodiment of the design that is depicted in FIG. 1;  
 FIG. 3 is a rear view of the embodiment of the design that is depicted in FIG. 1 and 2;  
 FIG. 4 is a right side view of the embodiment of the design that is depicted in FIGS. 1 through 3;  
 FIG. 5 is a left side view of the embodiment of the design that is depicted in FIGS. 1 through 4;  
 FIG. 6 is a front view of the embodiment of the design that is depicted in FIGS. 1 through 5; and,  
 FIG. 7 is a rear perspective view of the embodiment of the design that is depicted in FIGS. 1 through 6.  
 The bottom view of the embodiment of the design that is depicted in FIGS. 1-7 is unornamented and is not part of the claimed design. The broken lines are shown in the views for illustrative purposes only and form no part of the claimed design.

## [56] References Cited

### U.S. PATENT DOCUMENTS

- |            |         |                     |           |
|------------|---------|---------------------|-----------|
| D. 276,232 | 11/1984 | Dix et al. ....     | D14/106   |
| D. 284,193 | 6/1986  | Marshall .....      | D14/101   |
| D. 292,403 | 10/1987 | Renard .....        | D14/101   |
| D. 300,533 | 4/1989  | Oura et al. ....    | D14/101   |
| D. 300,744 | 4/1989  | Oura et al. ....    | D14/101   |
| D. 303,956 | 10/1989 | Ditzik .....        | D14/106   |
| D. 304,932 | 12/1989 | Outa et al. ....    | D14/101   |
| D. 305,537 | 1/1990  | Gilmore et al. .... | D14/101   |
| D. 306,727 | 3/1990  | Fritzsche .....     | D14/142 X |
| D. 312,457 | 11/1990 | Inatomi .....       | D14/144   |
| D. 315,156 | 3/1991  | Diehl .....         | D14/151   |
| D. 315,347 | 3/1991  | Walker .....        | D14/147   |
| D. 315,721 | 3/1991  | Wright .....        | D14/100   |
| D. 323,156 | 1/1992  | Nishida .....       | D14/101   |
| D. 324,036 | 2/1992  | Wakasa .....        | D14/101   |

1 Claim, 7 Drawing Sheets



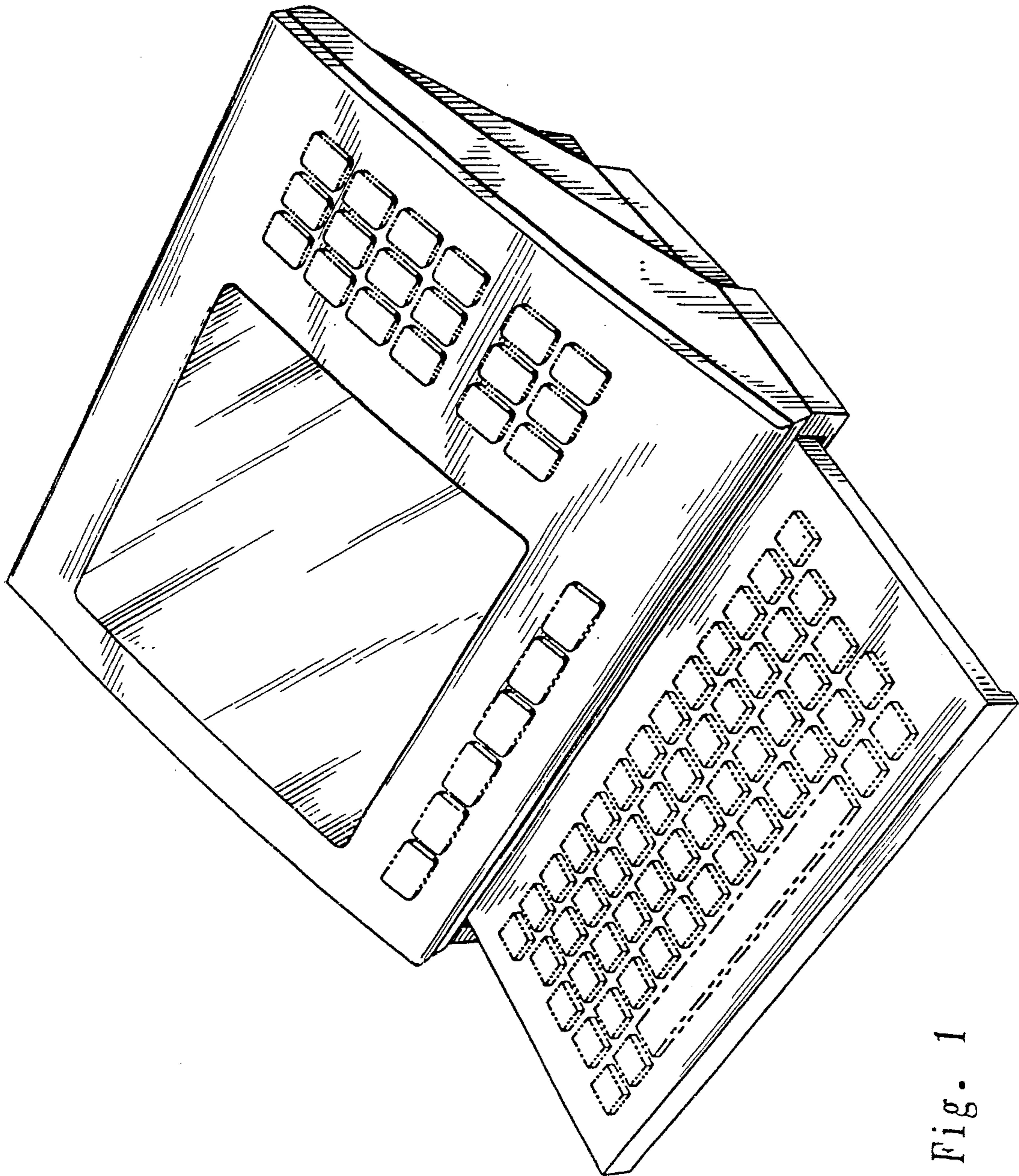


Fig. 1



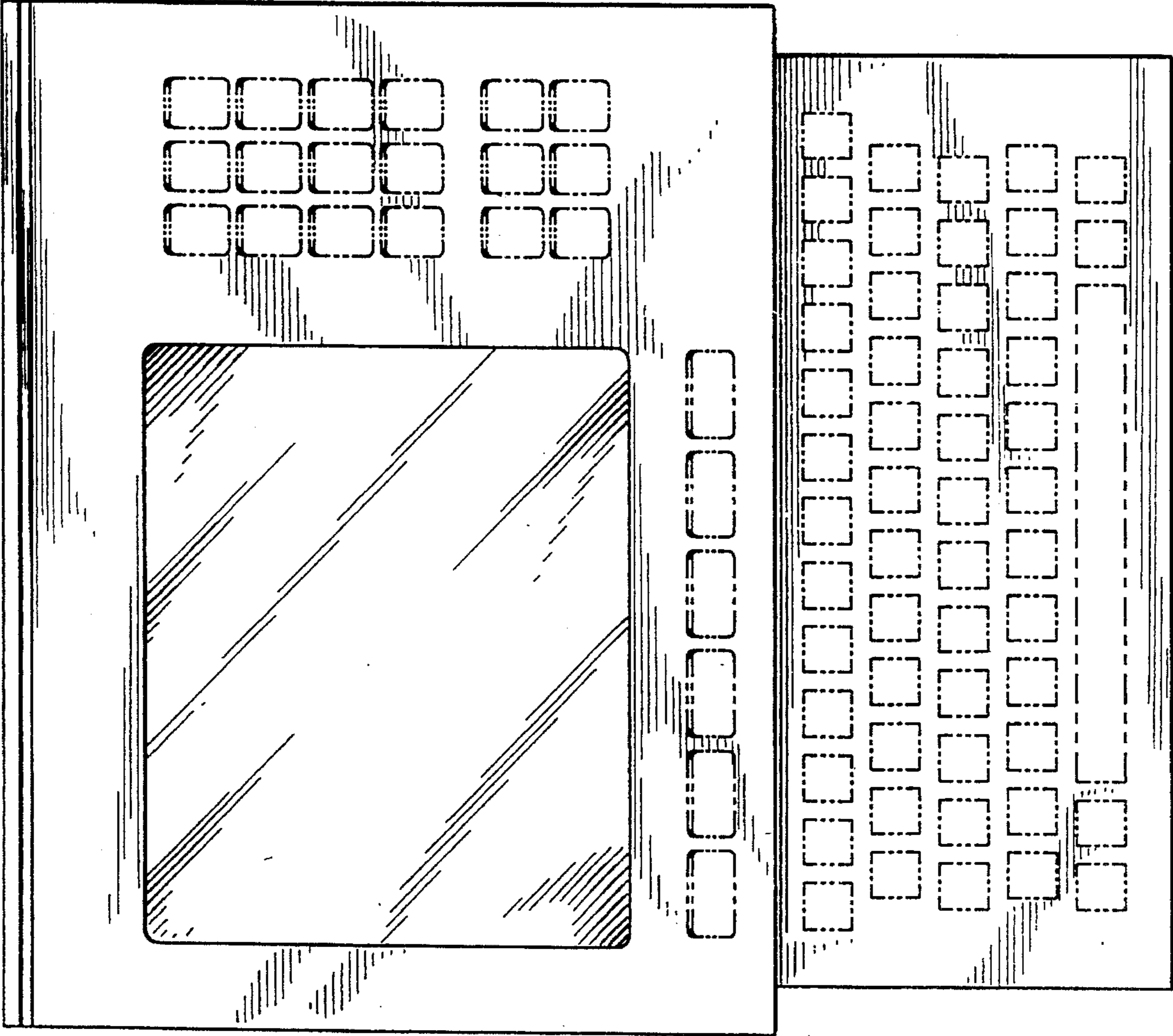


Fig. 2

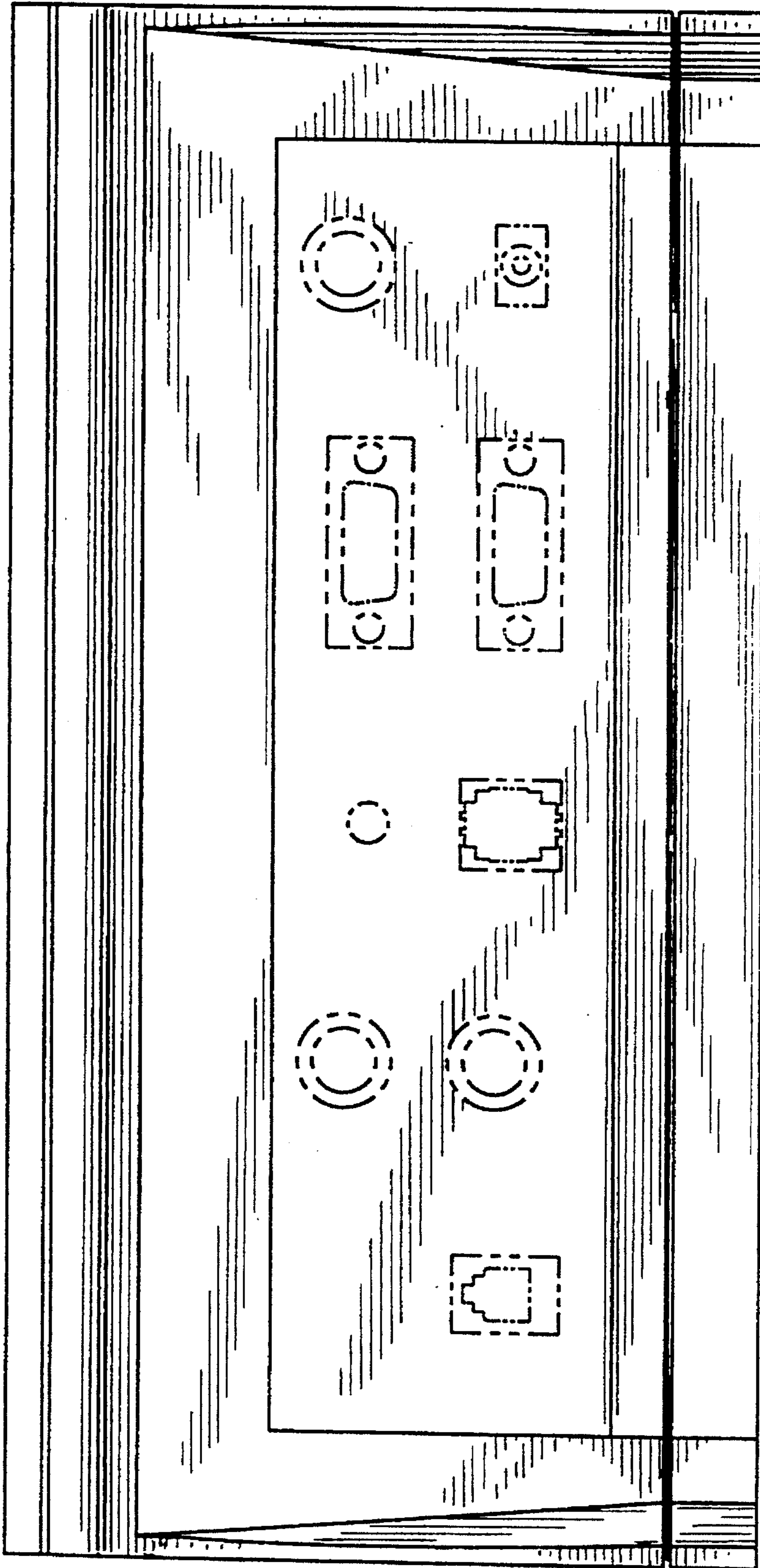


Fig. 3

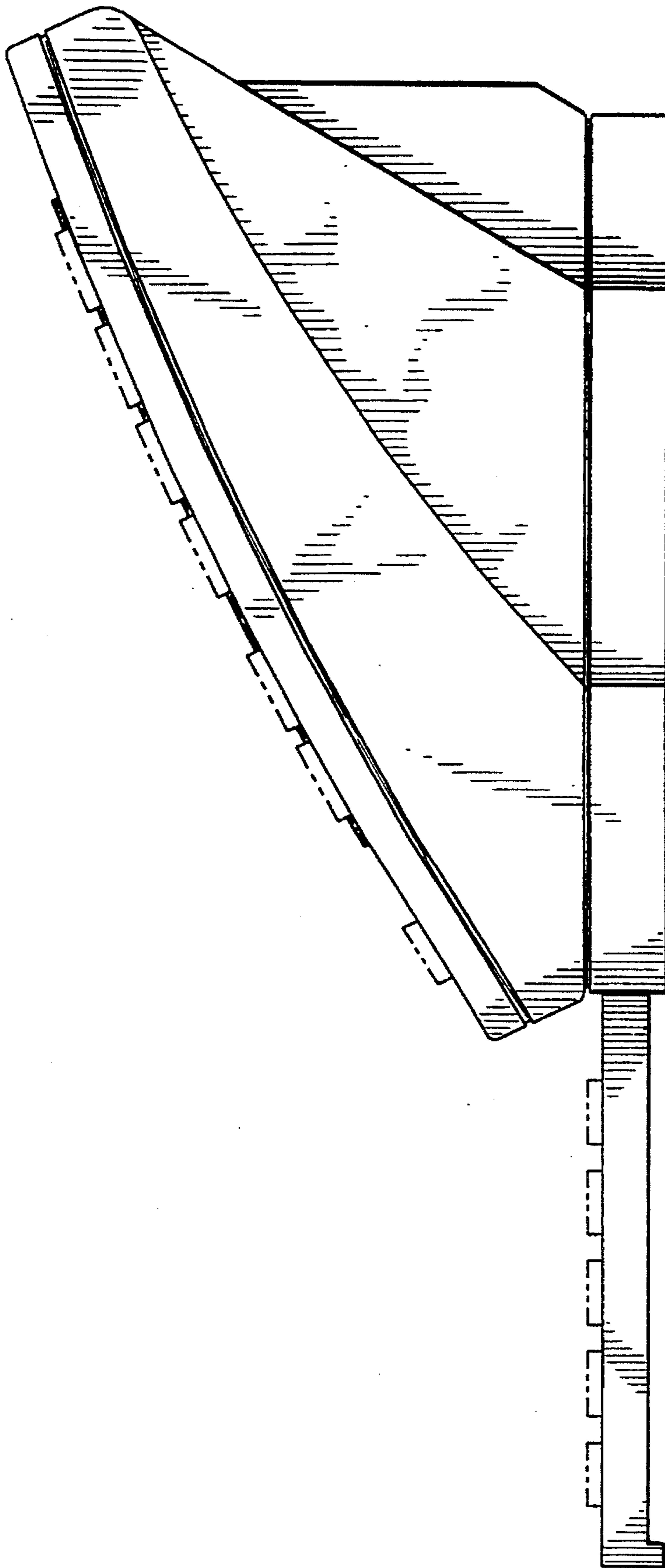


Fig. 4

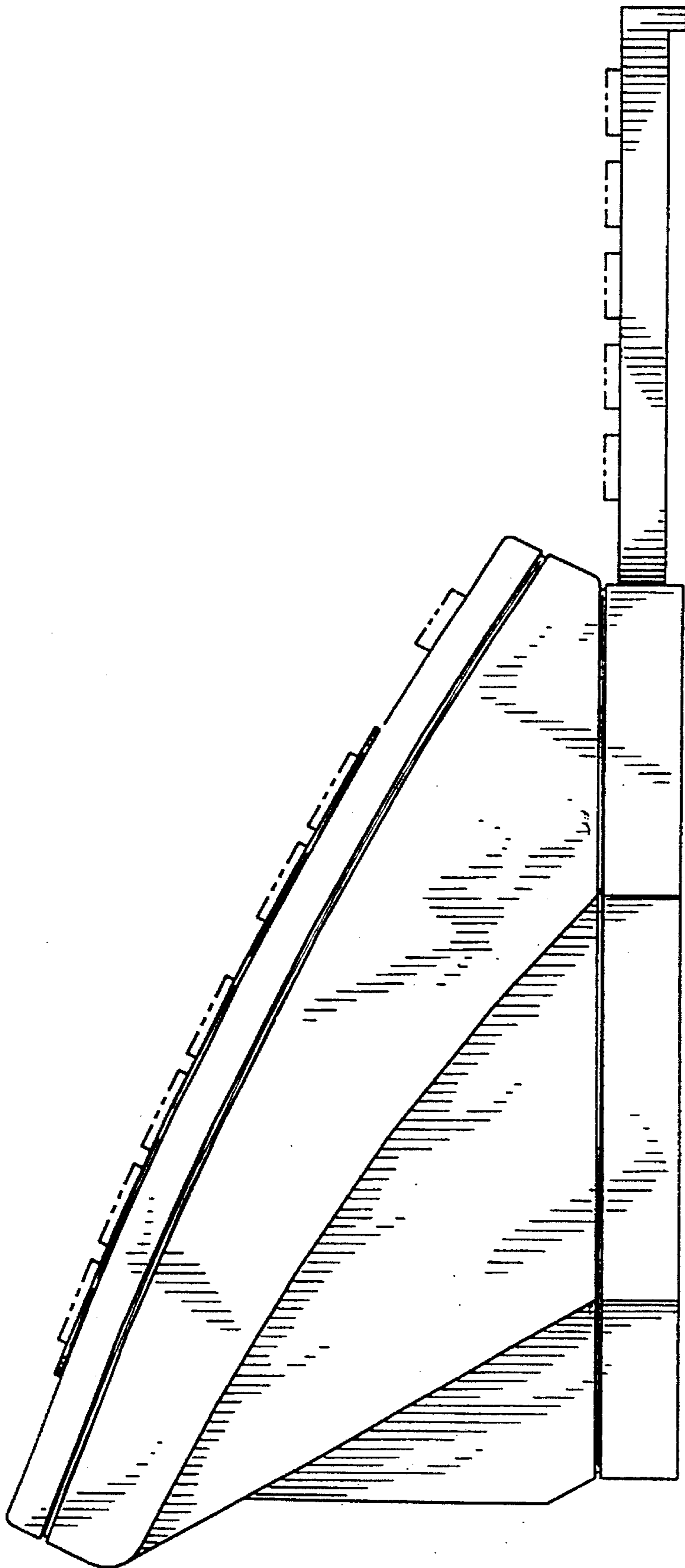


Fig. 5

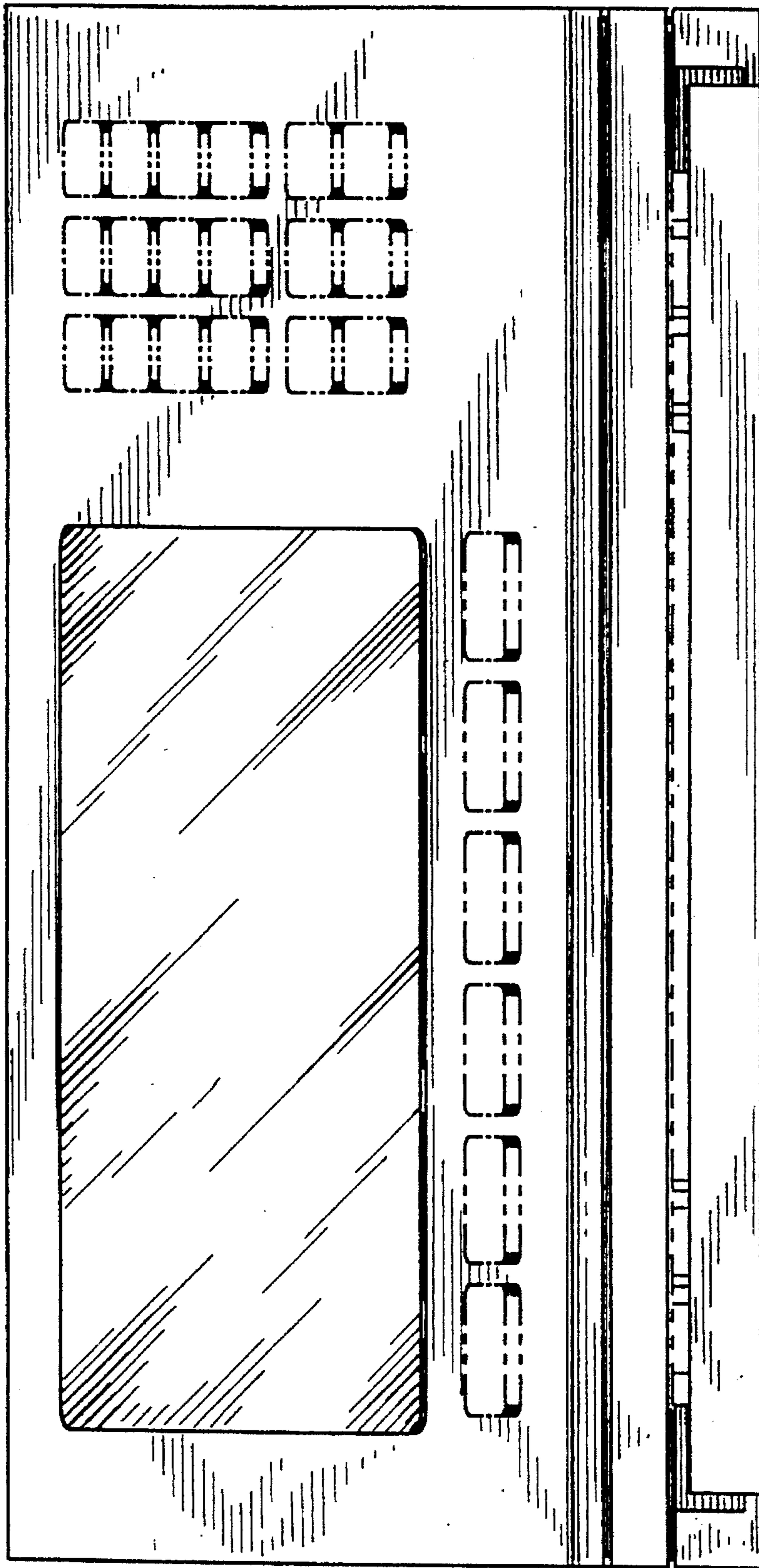


Fig. 6



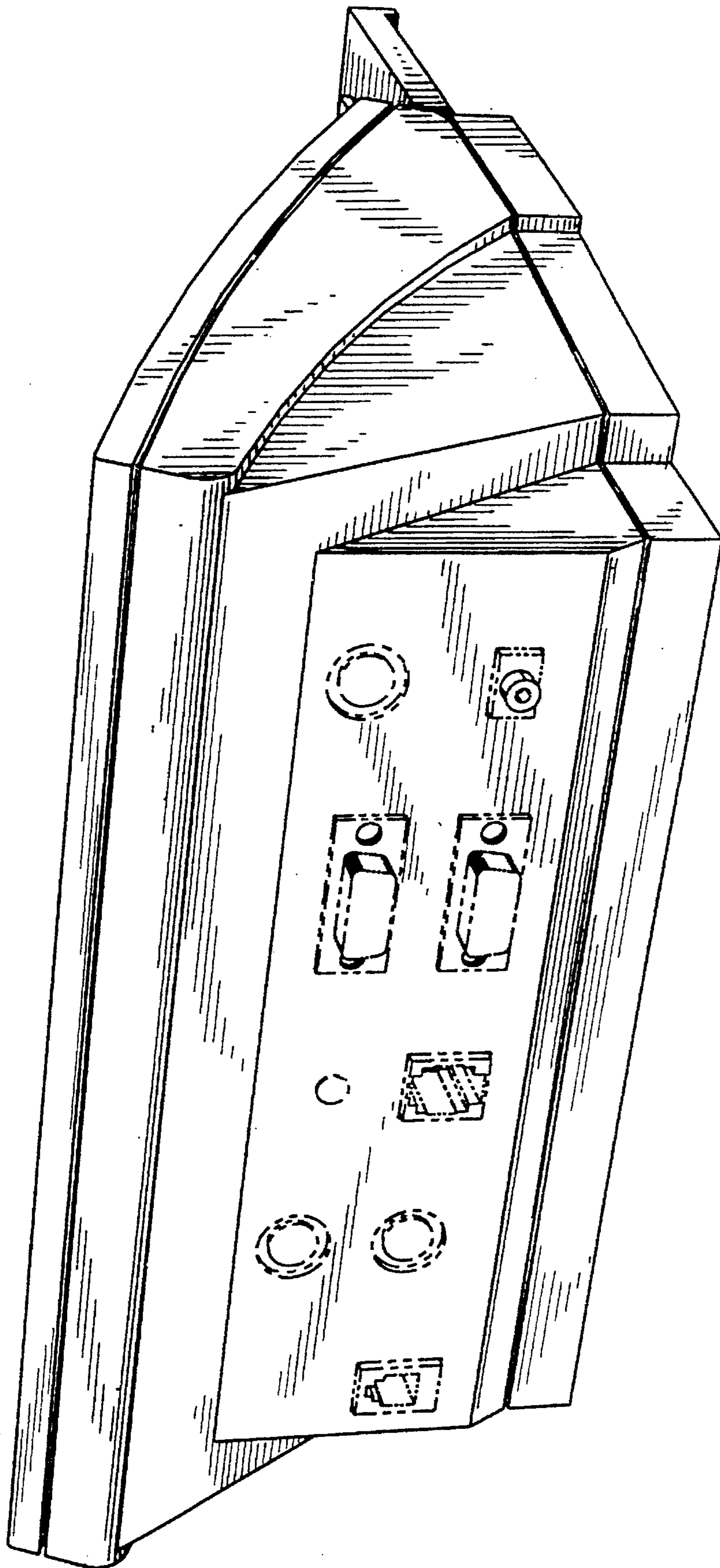


Fig. 7