



US00D372224S

United States Patent [19]

Larned et al.

[11] Patent Number: **Des. 372,224**

[45] Date of Patent: ****Jul. 30, 1996**

[54] **SWITCH GUARD**

[76] Inventors: **Robert L. Larned, deceased**, late of Willimantic; by **Marion C. Larned, executrix**, 477 N. St., Willimantic, Conn. 06226

5,009,610 4/1991 Woskow 439/142
 5,148,910 9/1992 Williams 200/43.19
 5,225,963 7/1993 Smart 361/357
 5,239,143 8/1993 Valenzona 200/43.16 X
 5,324,897 6/1994 Melgoza et al. 200/43.19 X
 5,380,964 1/1995 Easton et al. 200/43.16 X

[**] Term: **14 Years**

Primary Examiner—Joel Sincavage
Attorney, Agent, or Firm—Our Pal(R) Asija

[21] Appl. No.: **40,888**

[57] **CLAIM**

[22] Filed: **Jun. 29, 1995**

The ornamental design for a switch guard, as shown and described.

[52] U.S. Cl. **D13/173**

[58] Field of Search D13/173; 200/43.01, 200/43.16, 43.19; D8/353

DESCRIPTION

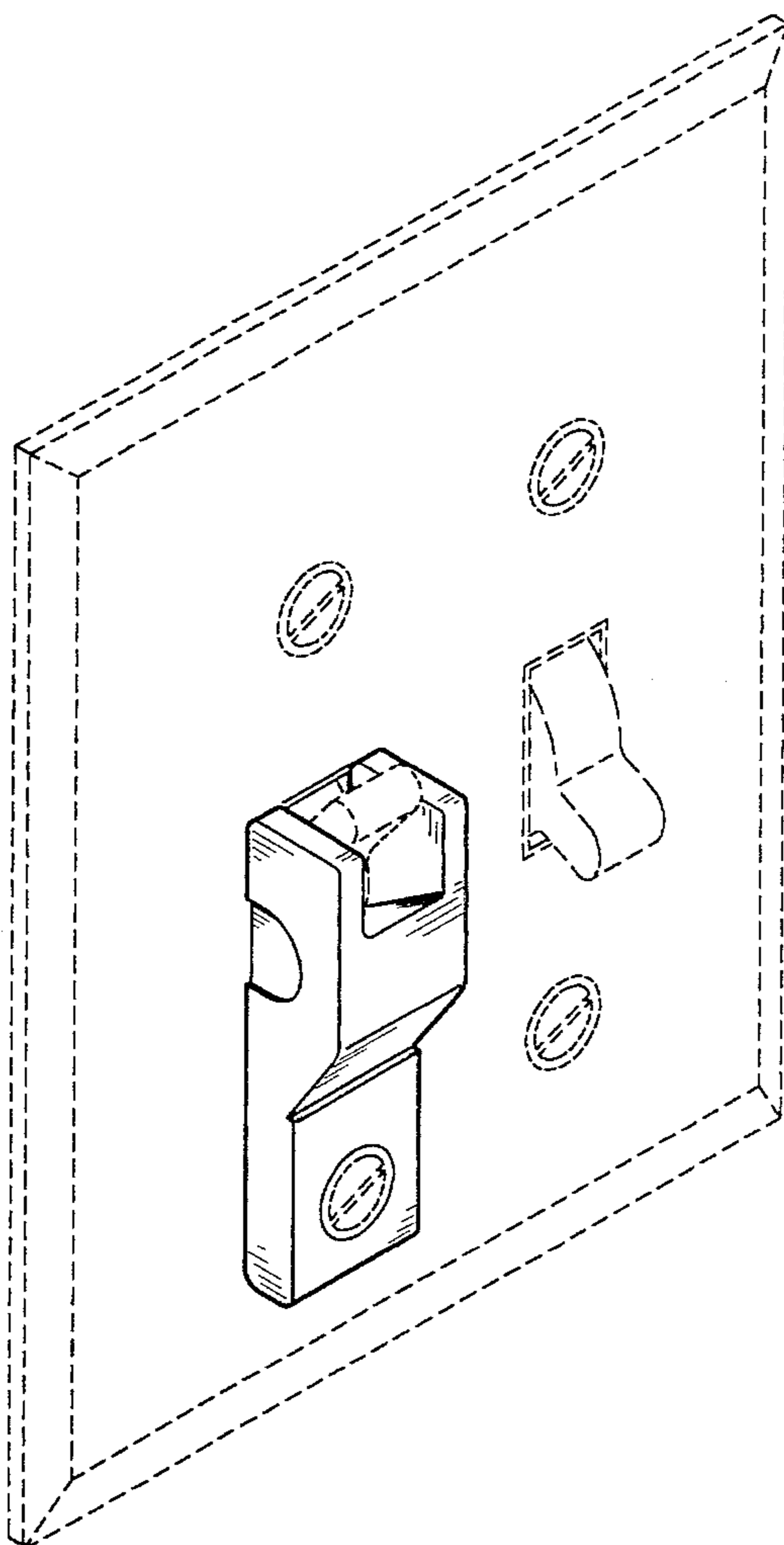
[56] **References Cited**

FIG. 1 is a perspective view of the switch guard of my new design of this invention in the guarded position; FIG. 2 is a front view thereof in the unguarded position; FIG. 3 is a top plan view thereof; FIG. 4 is a front elevation thereof; FIG. 5 is a side elevation thereof; and, FIG. 6 is a cross sectional view along lines 3—3 of FIG. 4. The broken line showing in FIGS. 1 and 2 is included for the purpose of illustrating environmental structure only and forms no part of the claimed design.

U.S. PATENT DOCUMENTS

D. 260,232	8/1981	Simons	D8/350
D. 314,556	2/1991	Aggson	D13/173
D. 350,278	9/1994	Figueroa	D8/353
3,527,914	9/1970	Spacek	200/168
3,678,236	7/1972	Hughes	200/169 PB
4,102,471	7/1978	Lore et al.	220/242
4,399,340	8/1983	Grandall et al.	200/334
4,468,544	8/1984	Wainess et al.	200/43.16

1 Claim, 2 Drawing Sheets



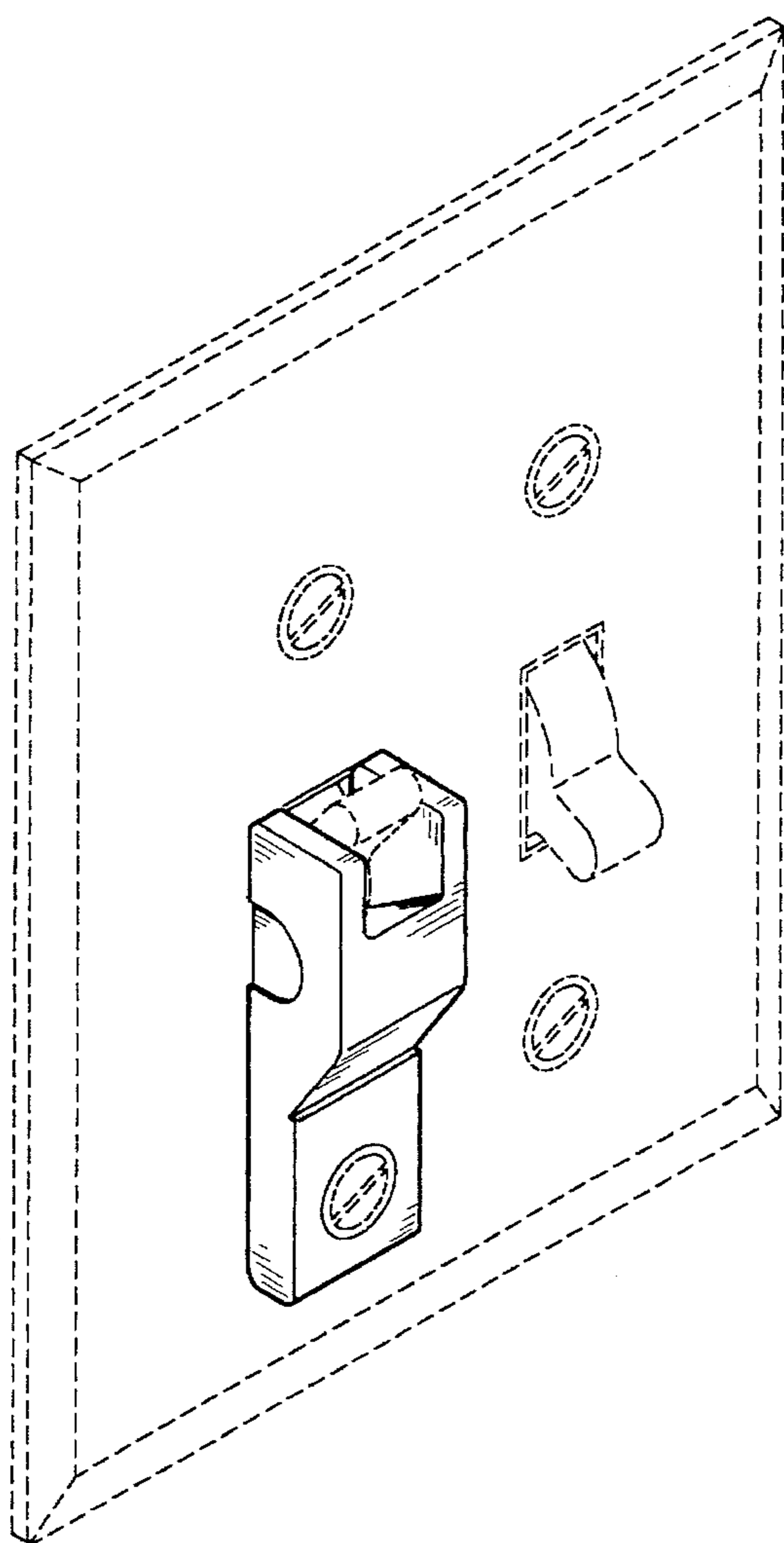


Fig. 1

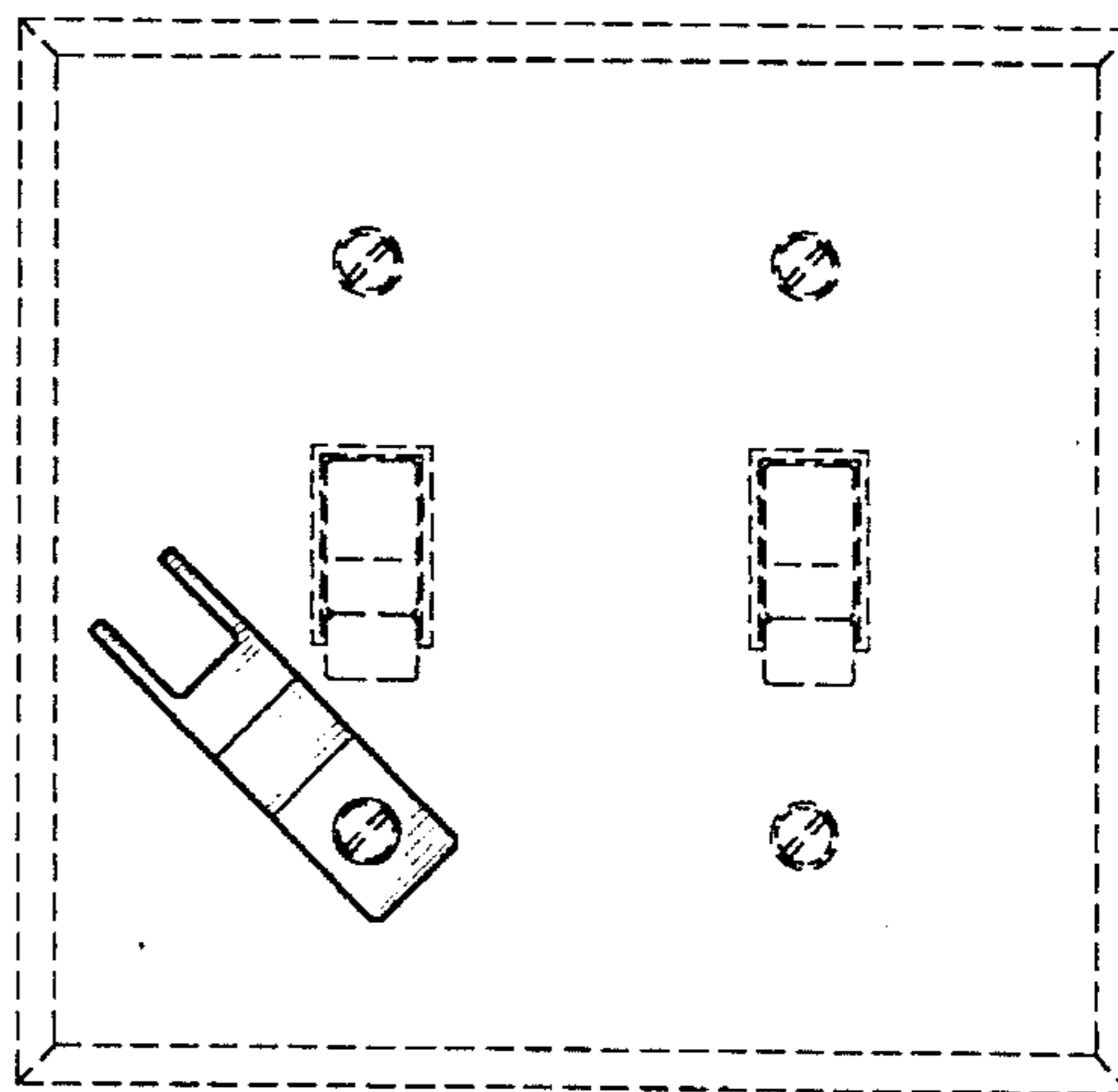


Fig. 2

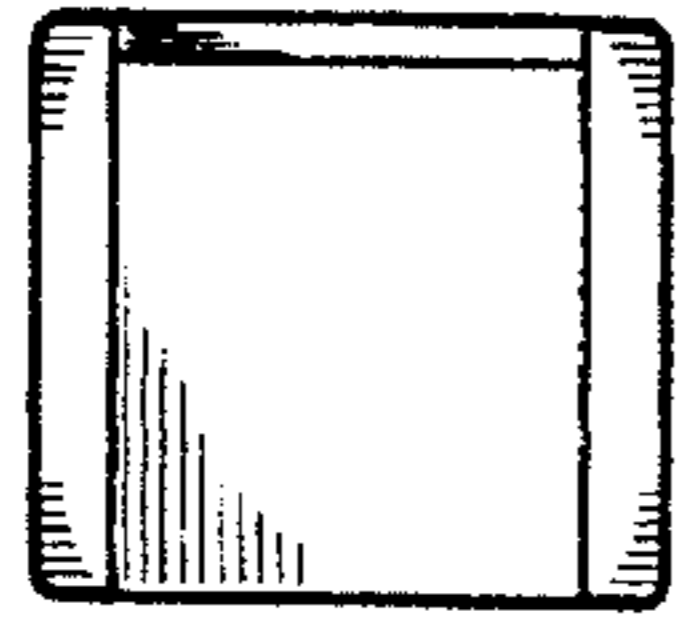


Fig. 3

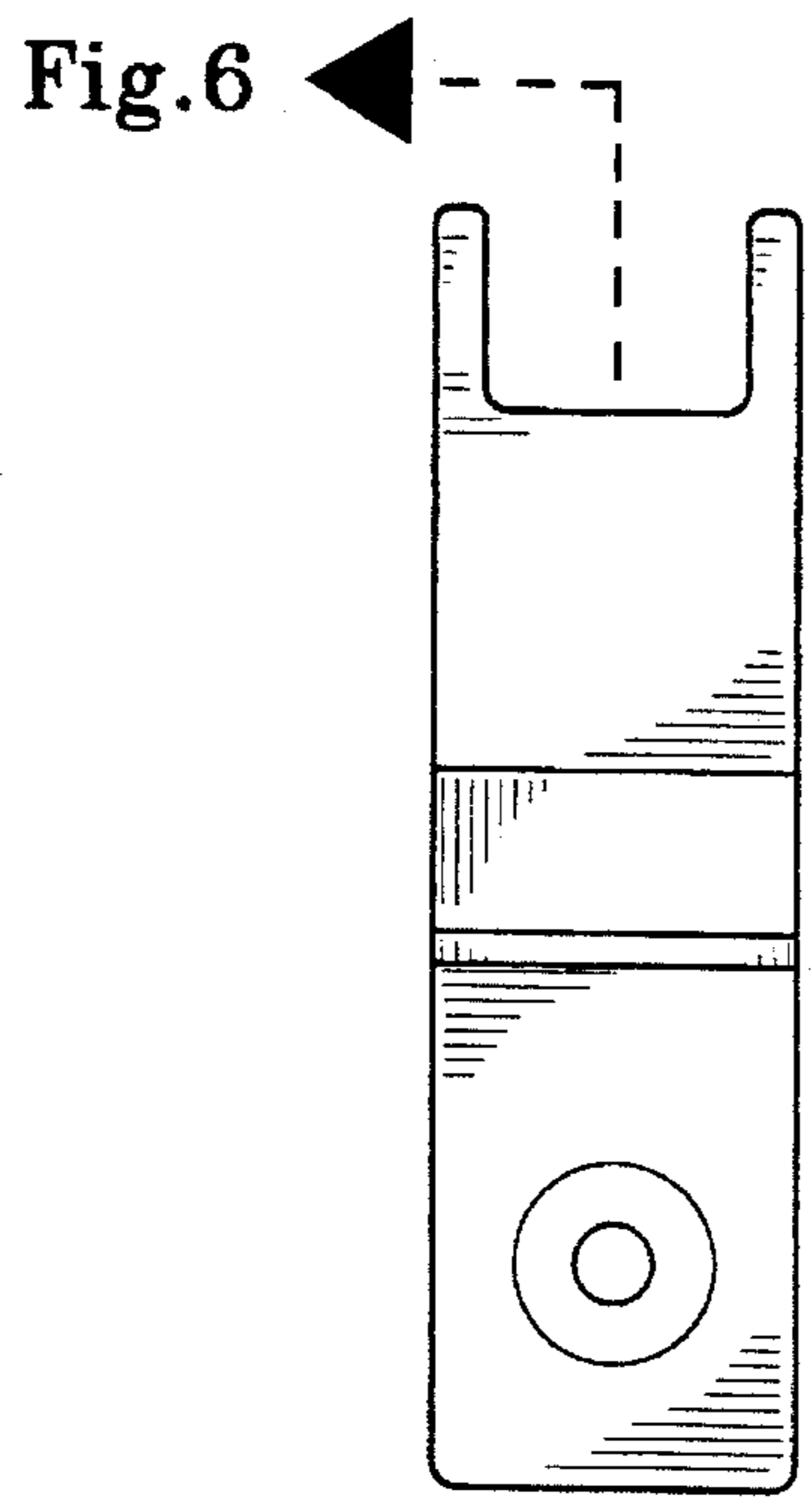


Fig. 4

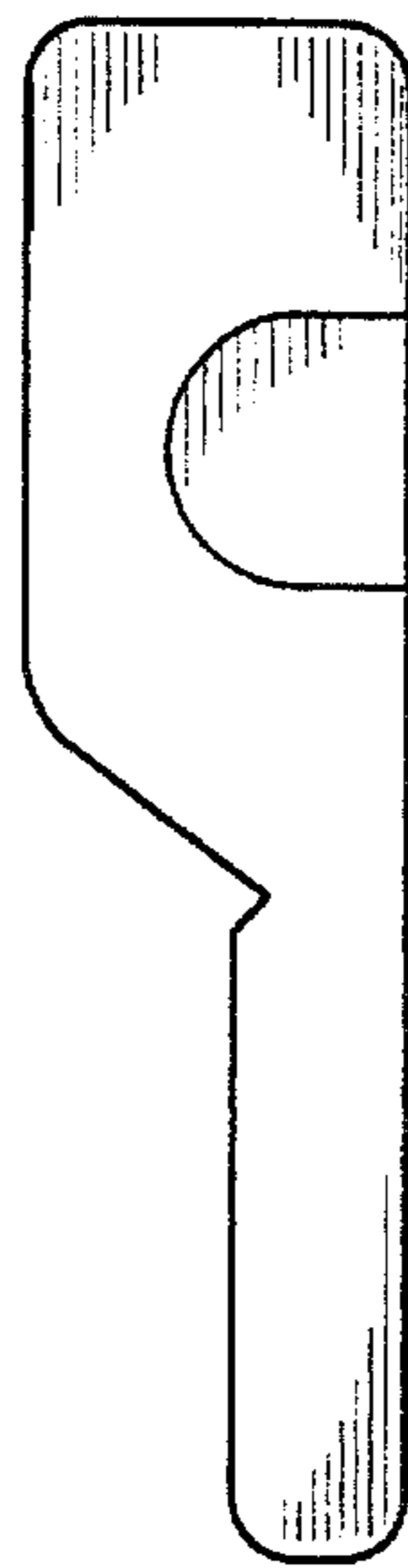


Fig. 5

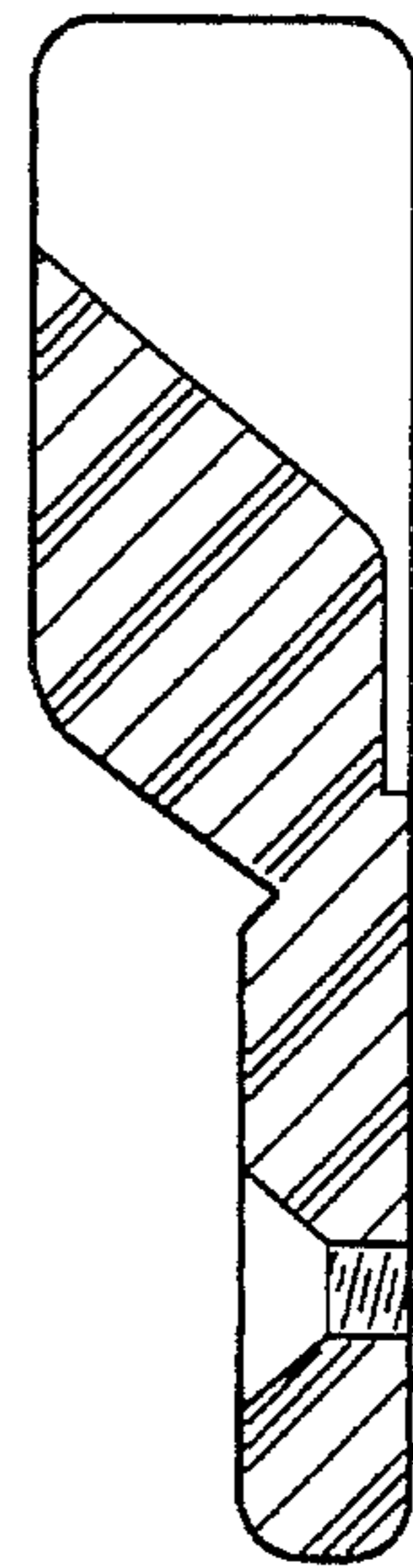


Fig. 6