



US00D372220S

# United States Patent [19] Matthews

[11] Patent Number: Des. 372,220

[45] Date of Patent: \*\*Jul. 30, 1996

[54] ELECTRICAL POWER CONNECTOR

[75] Inventor: Russell H. Matthews, Modesto, Calif.

[73] Assignee: Elcon Products International, Fremont, Calif.

[\*\*] Term: 14 Years

[21] Appl. No.: 25,199

[22] Filed: Jul. 18, 1994

[52] U.S. Cl. .... D13/133

[58] Field of Search ..... D13/133, 146, D13/147; 439/59, 62, 67, 76, 78, 564, 569, 630

[56] References Cited

U.S. PATENT DOCUMENTS

D. 301,870	6/1989	Shibano	.....	D13/147
4,969,824	11/1990	Casciotti	.....	439/67 X
5,156,552	10/1992	Zaderej et al.	.....	439/59
5,181,853	1/1993	Van Brunt, Jr. et al.	.....	439/67

OTHER PUBLICATIONS

Edge card connector on p. 12B of *Molex Catalog 980*, 2nd edition.

Primary Examiner—Joel Sincavage  
Attorney, Agent, or Firm—Burns, Doane, Swecker & Mathis

[57] CLAIM

The ornamental design for an electrical power connector, as shown and described.

DESCRIPTION

FIG. 1 is a perspective view as seen from the front and upper right of an electrical power connector showing my new design;

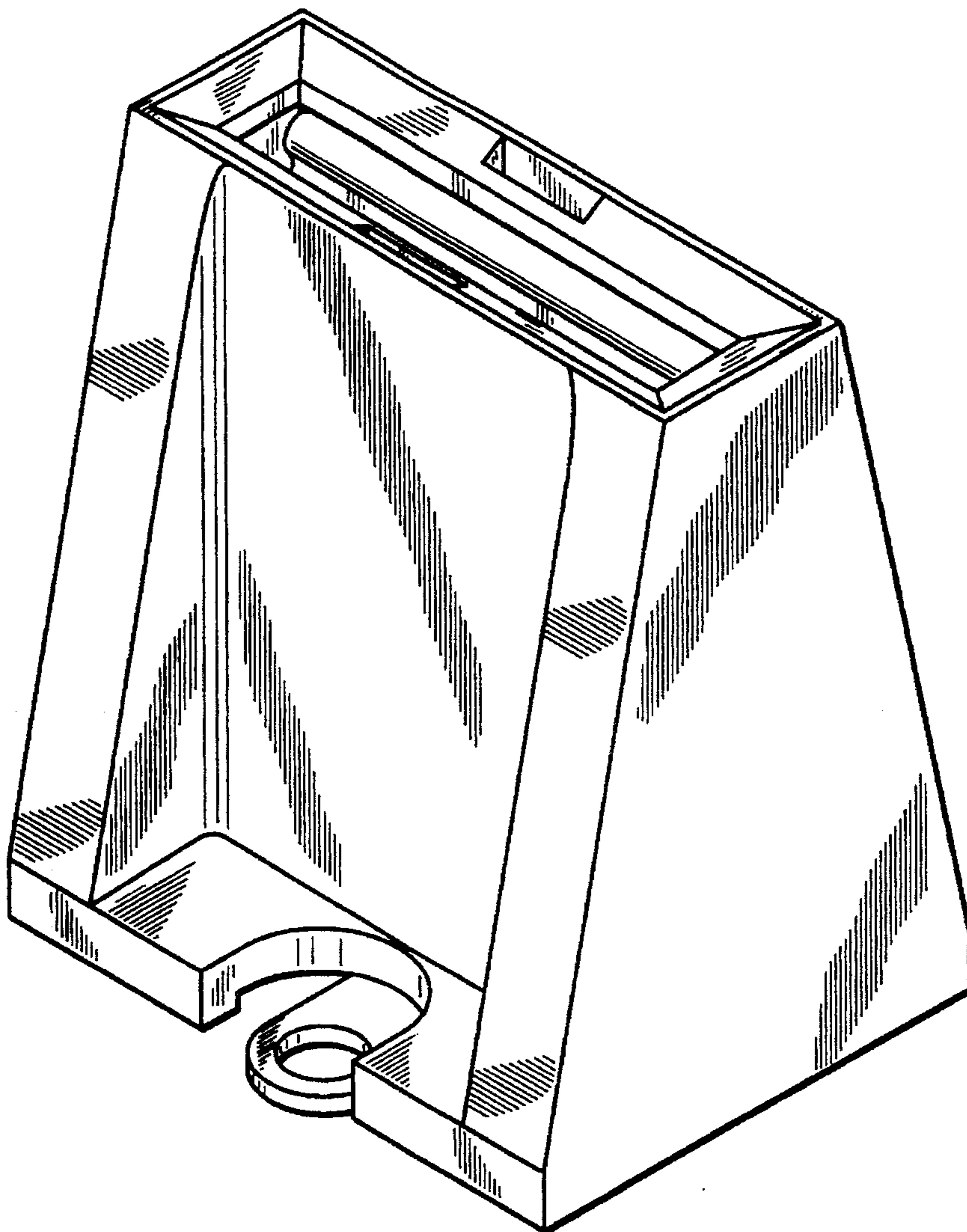
FIG. 2 is a front elevational view thereof, the rear elevational view being the same;

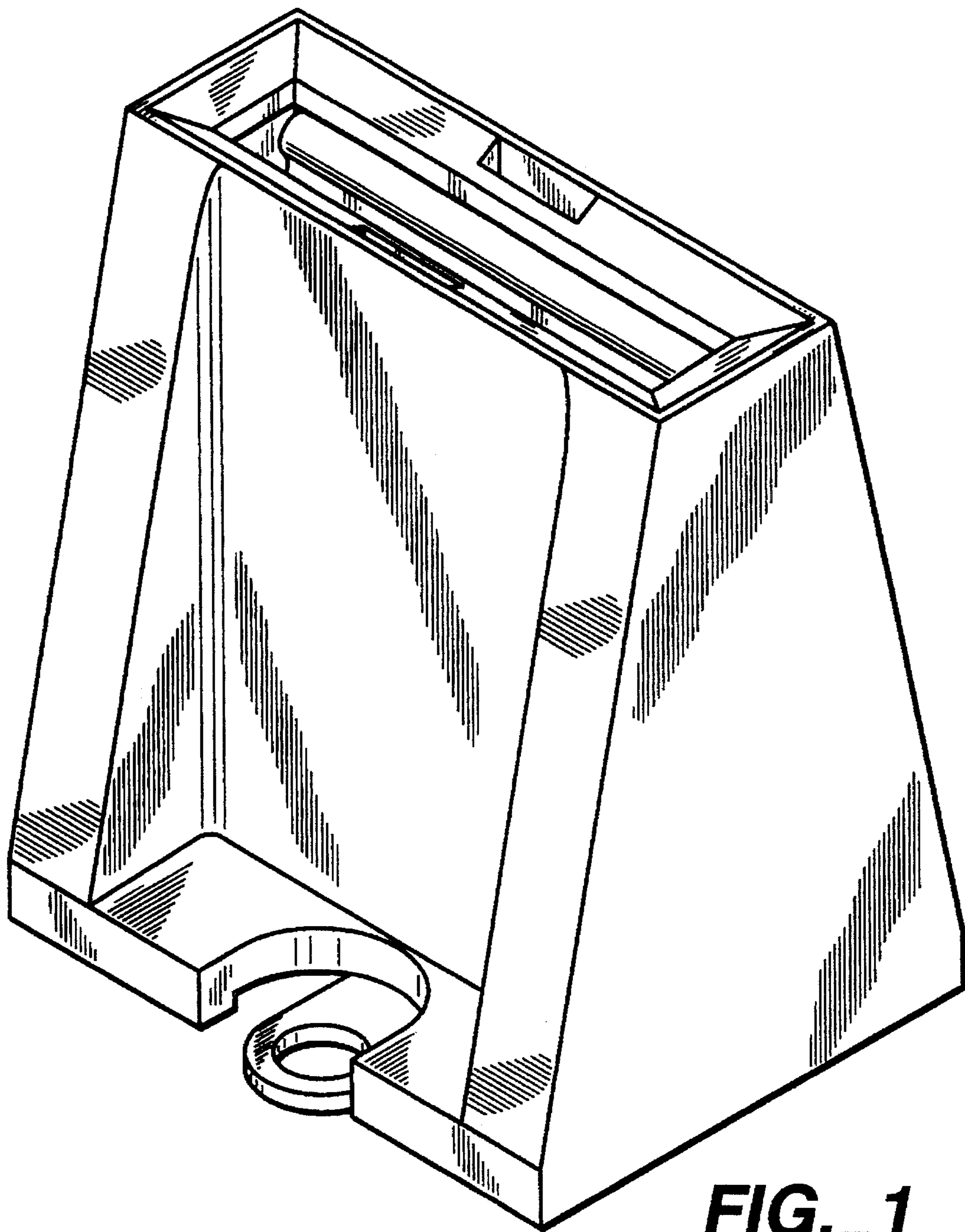
FIG. 3 is a right side elevational view thereof, the left side elevational view being the same;

FIG. 4 is a top plan view thereof; and,

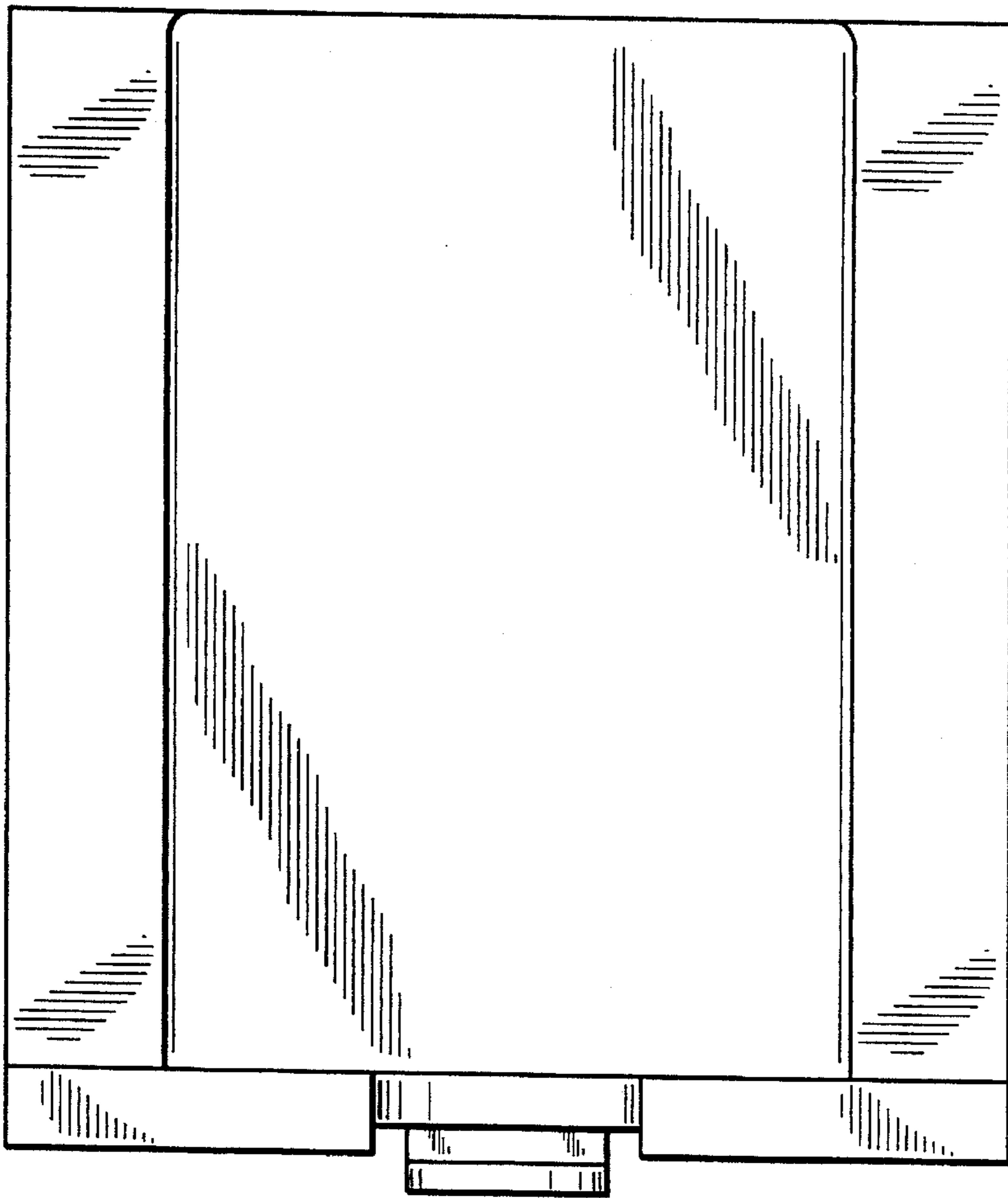
FIG. 5 is a bottom plan view thereof.

1 Claim, 3 Drawing Sheets

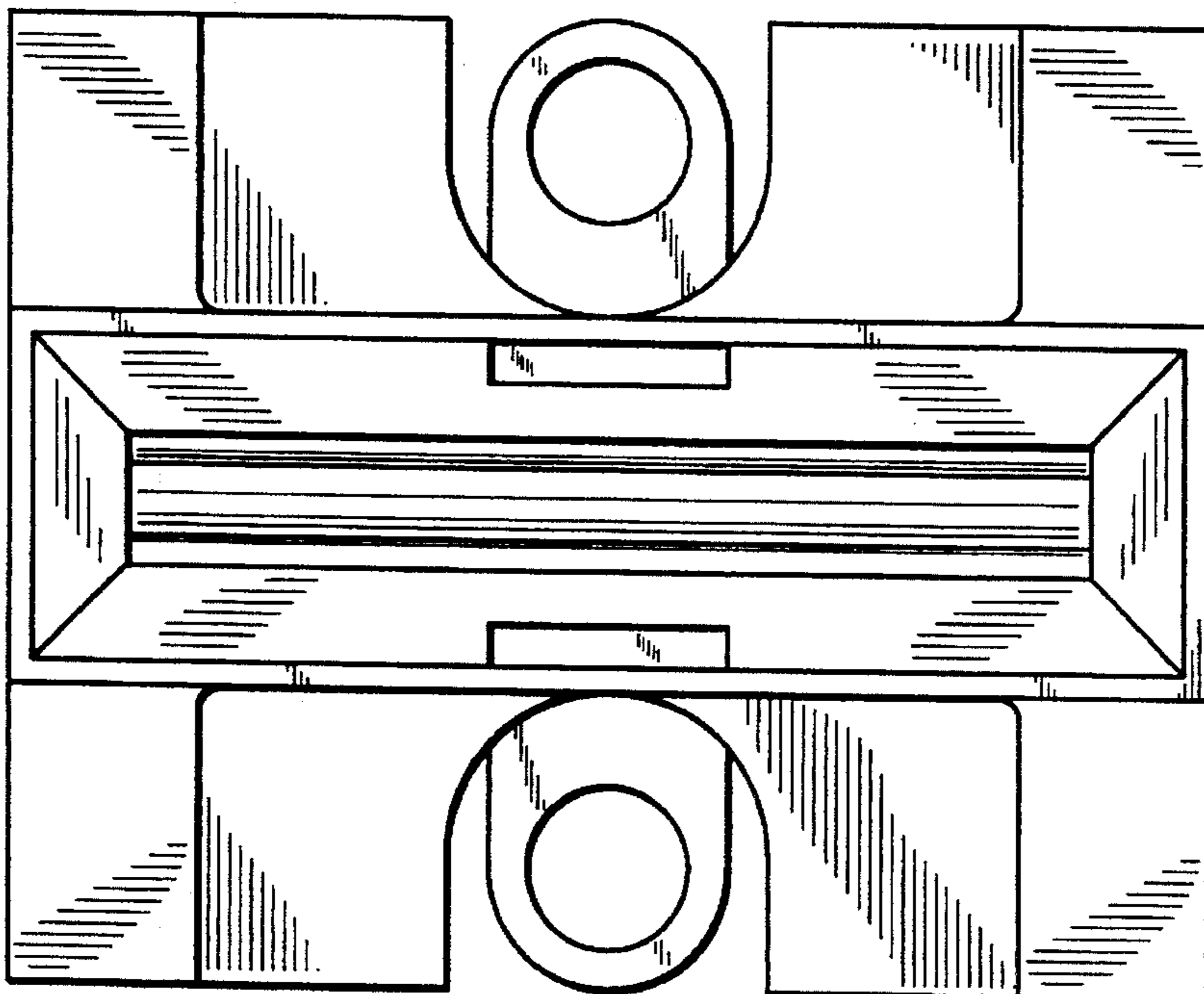




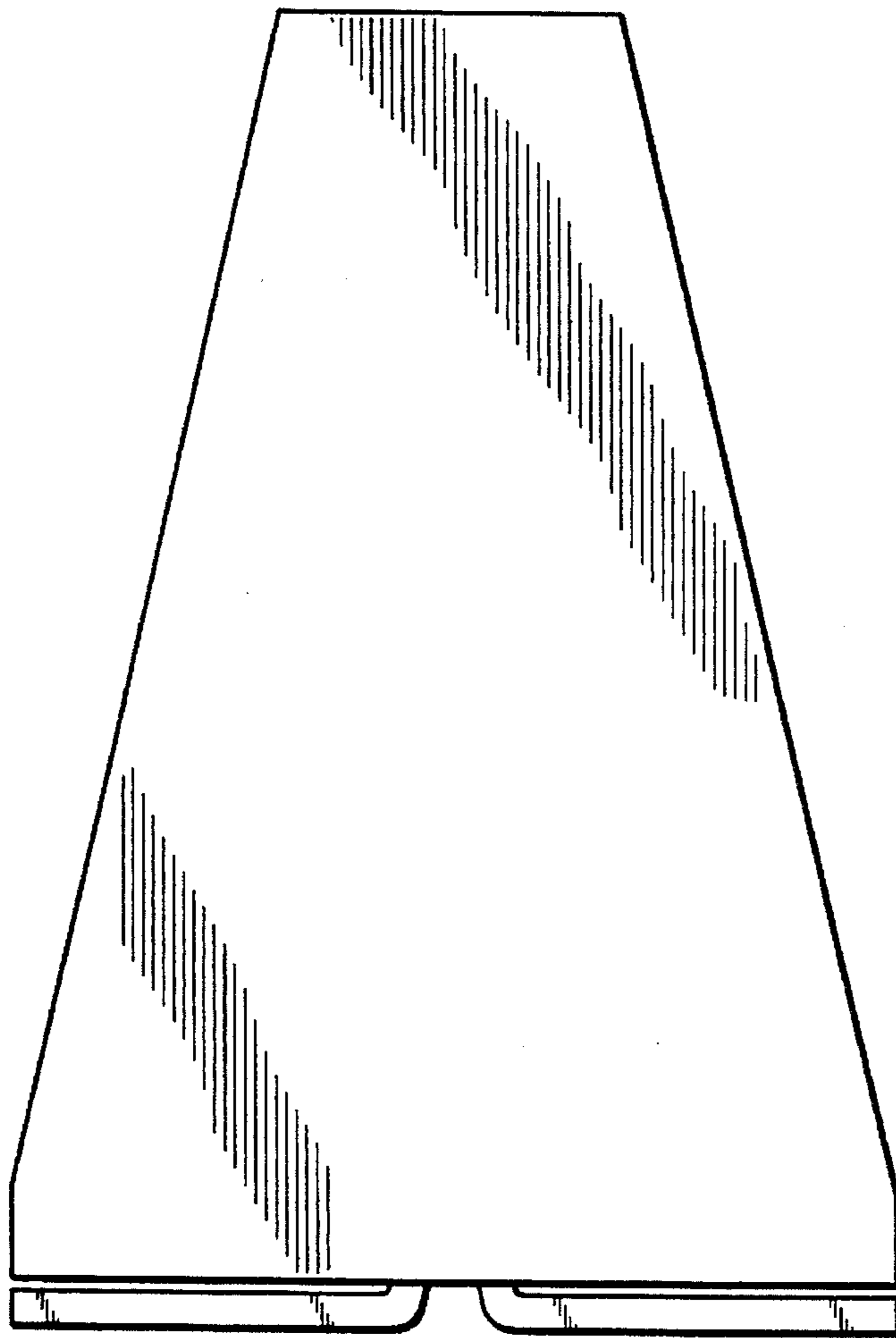
**FIG. 1**



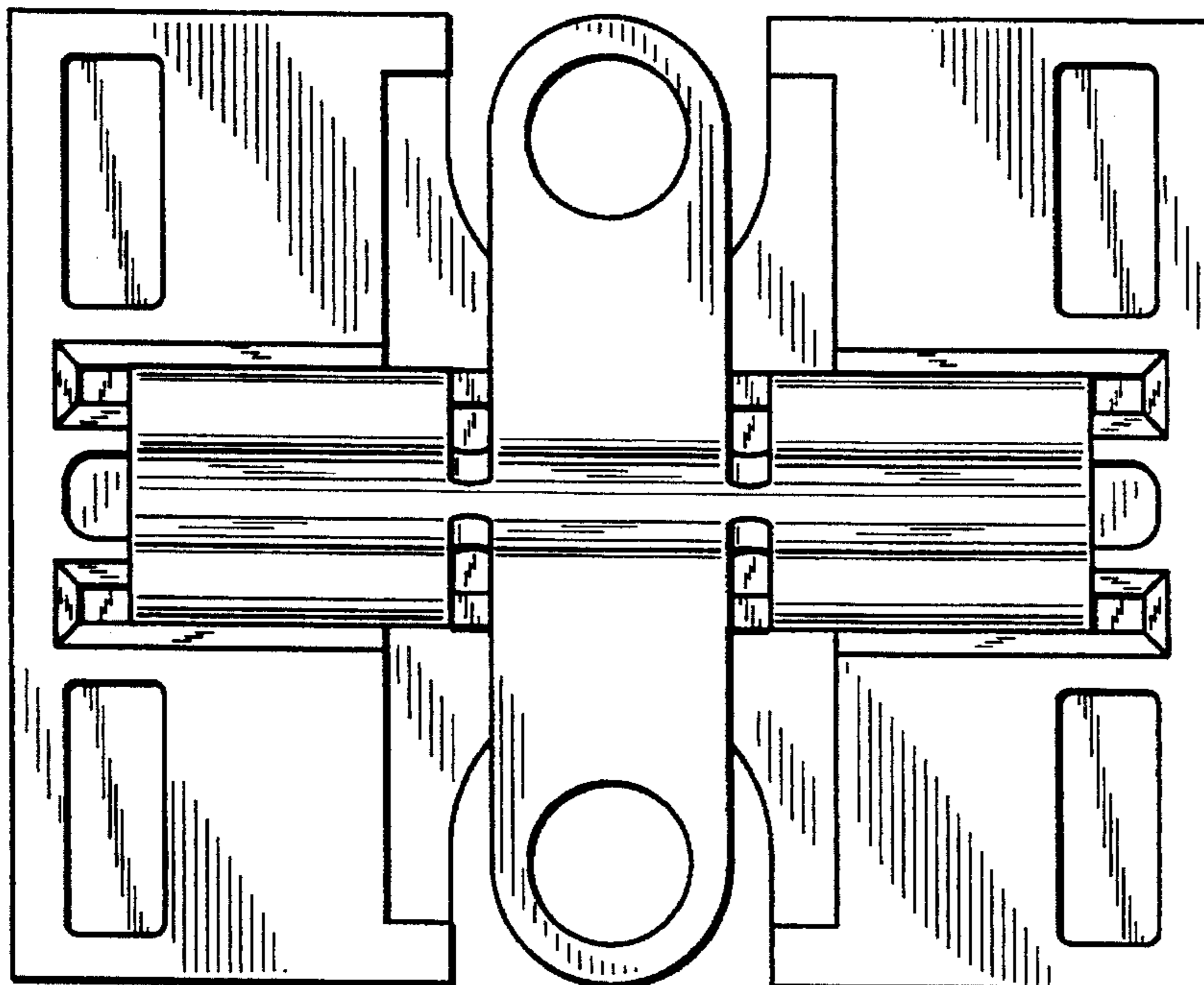
**FIG. 2**



**FIG. 4**



**FIG.\_3**



**FIG.\_5**