



US00D372219S

# United States Patent [19]

Schechtel et al.

[11] Patent Number: **Des. 372,219**

[45] Date of Patent: **\*\*Jul. 30, 1996**

[54] **BATTERY CHARGING DEVICE**

5,262,710 11/1993 Taylor ..... 320/2  
5,366,826 11/1994 McCormick et al. .... 429/96

[75] Inventors: **Kevin J. Schechtel**, Suwanee; **Stephen L. Phelps**, Lilburn, both of Ga.

*Primary Examiner*—Joel Sincavage  
*Attorney, Agent, or Firm*—Kenneth M. Massaroni

[73] Assignee: **Motorola, Inc.**, Schaumburg, Ill.

[57] **CLAIM**

[\*\*] Term: **14 Years**

The ornamental design for a housing for a battery charging device, as shown and described.

[21] Appl. No.: **38,691**

[22] Filed: **May 8, 1995**

### DESCRIPTION

[52] U.S. Cl. .... **D13/108**

FIG. 1 is a top plan view of a battery charging device showing our new design;

[58] Field of Search ..... D13/107, 108;  
320/2, 3, 4, 15

FIG. 2 is a bottom plan view thereof;

FIG. 3 is a rear elevational view thereof;

FIG. 4 is a front elevational view thereof;

FIG. 5 is a right side elevational view thereof;

FIG. 6 is a left side elevational view thereof; and,

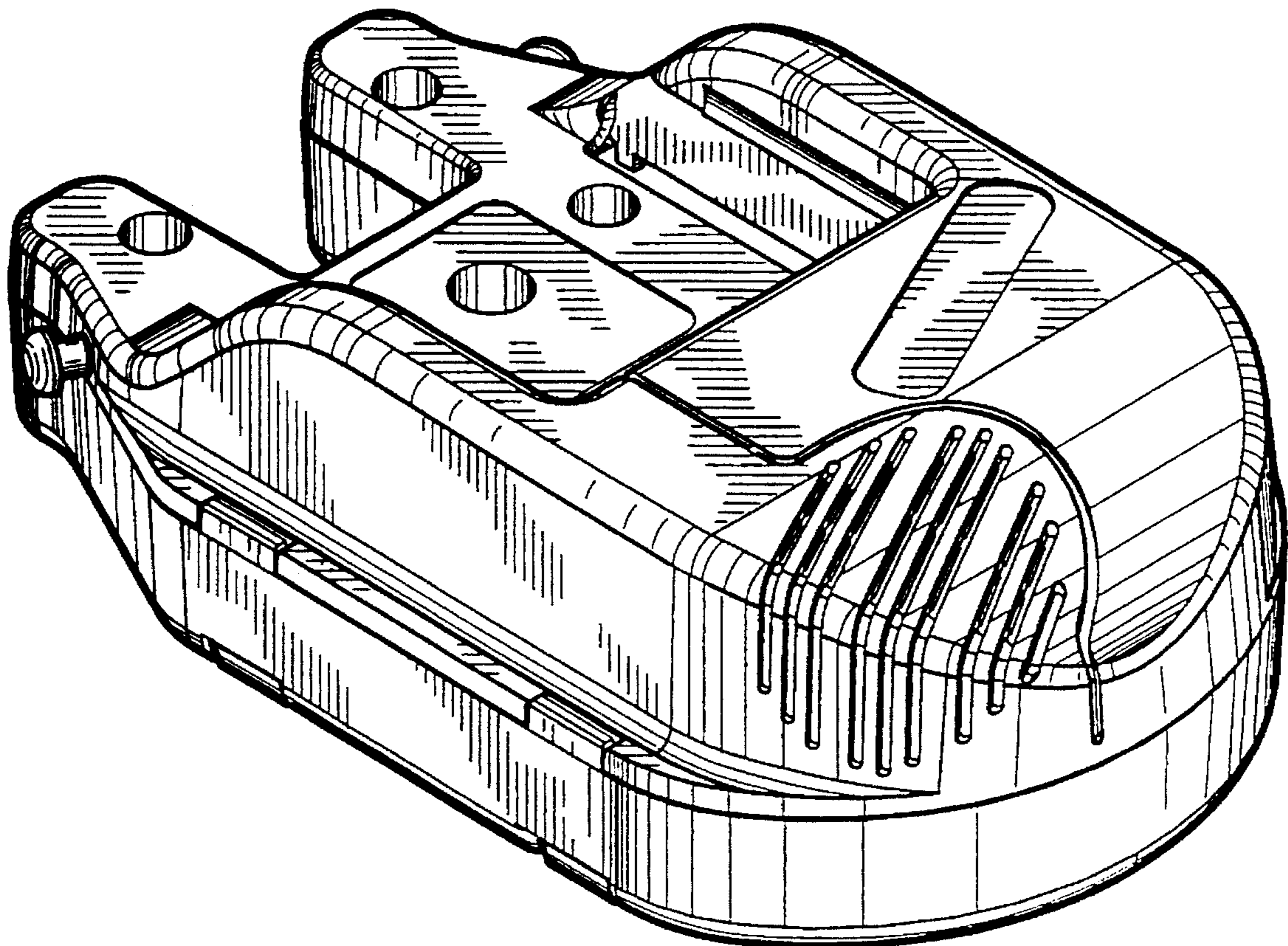
FIG. 7 is a front, lower left isometric view thereof.

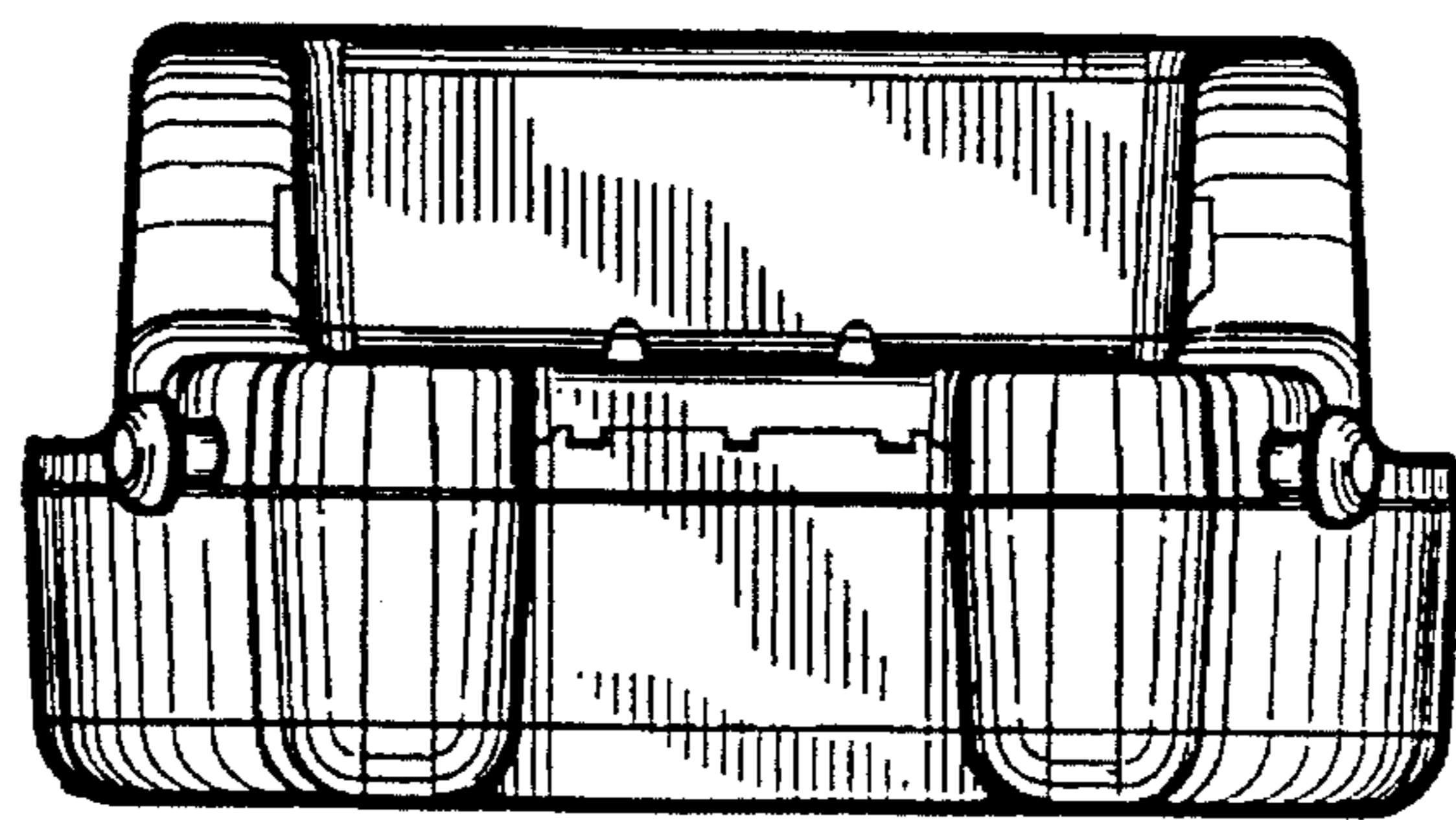
### [56] References Cited

#### U.S. PATENT DOCUMENTS

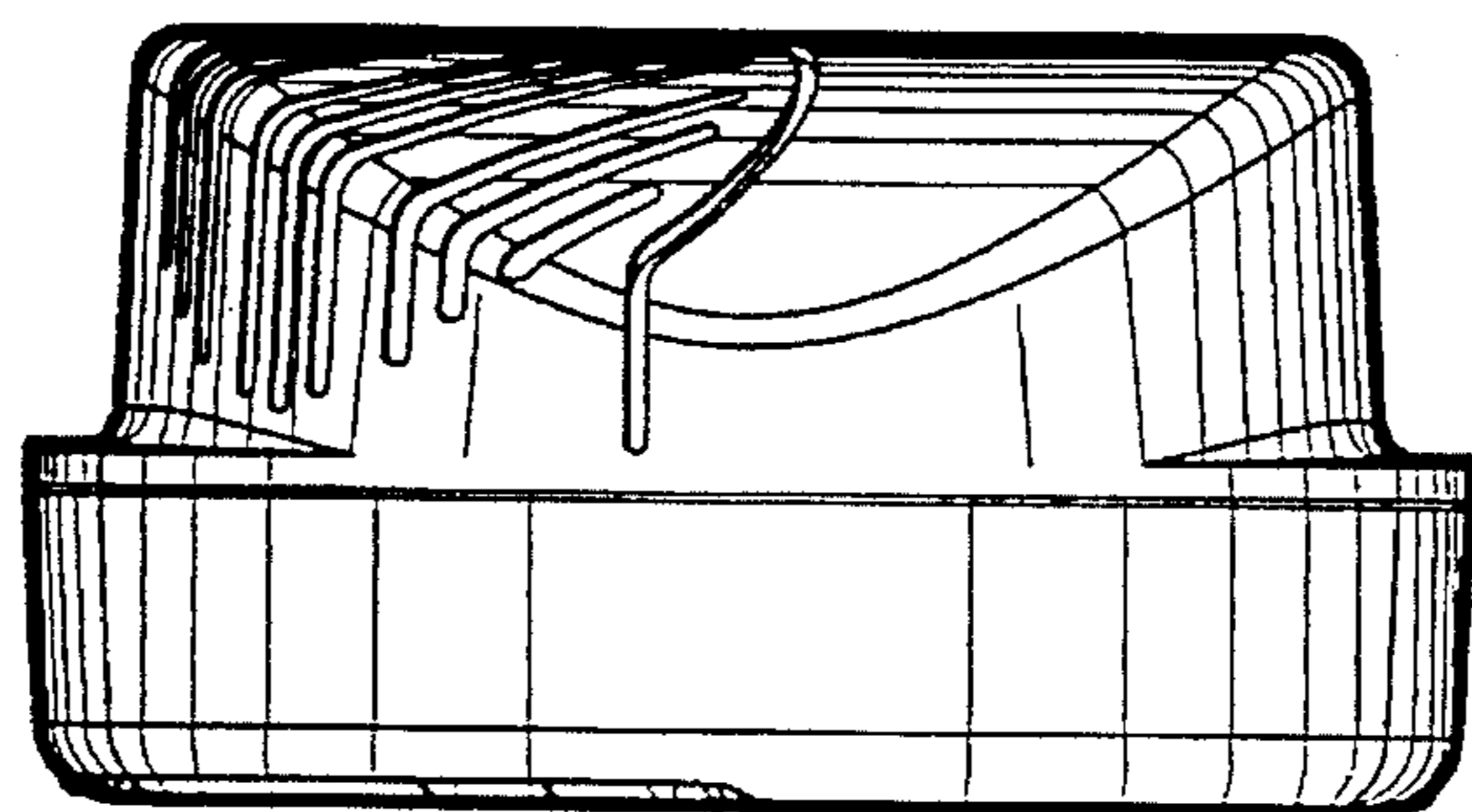
D. 315,330	3/1991	Soren et al. ....	D13/D107
D. 334,183	3/1993	Malon et al. ....	D13/107 X
5,019,767	5/1991	Shirai et al. ....	320/2
5,132,719	11/1992	Tomura et al. ....	320/15 X

**1 Claim, 3 Drawing Sheets**

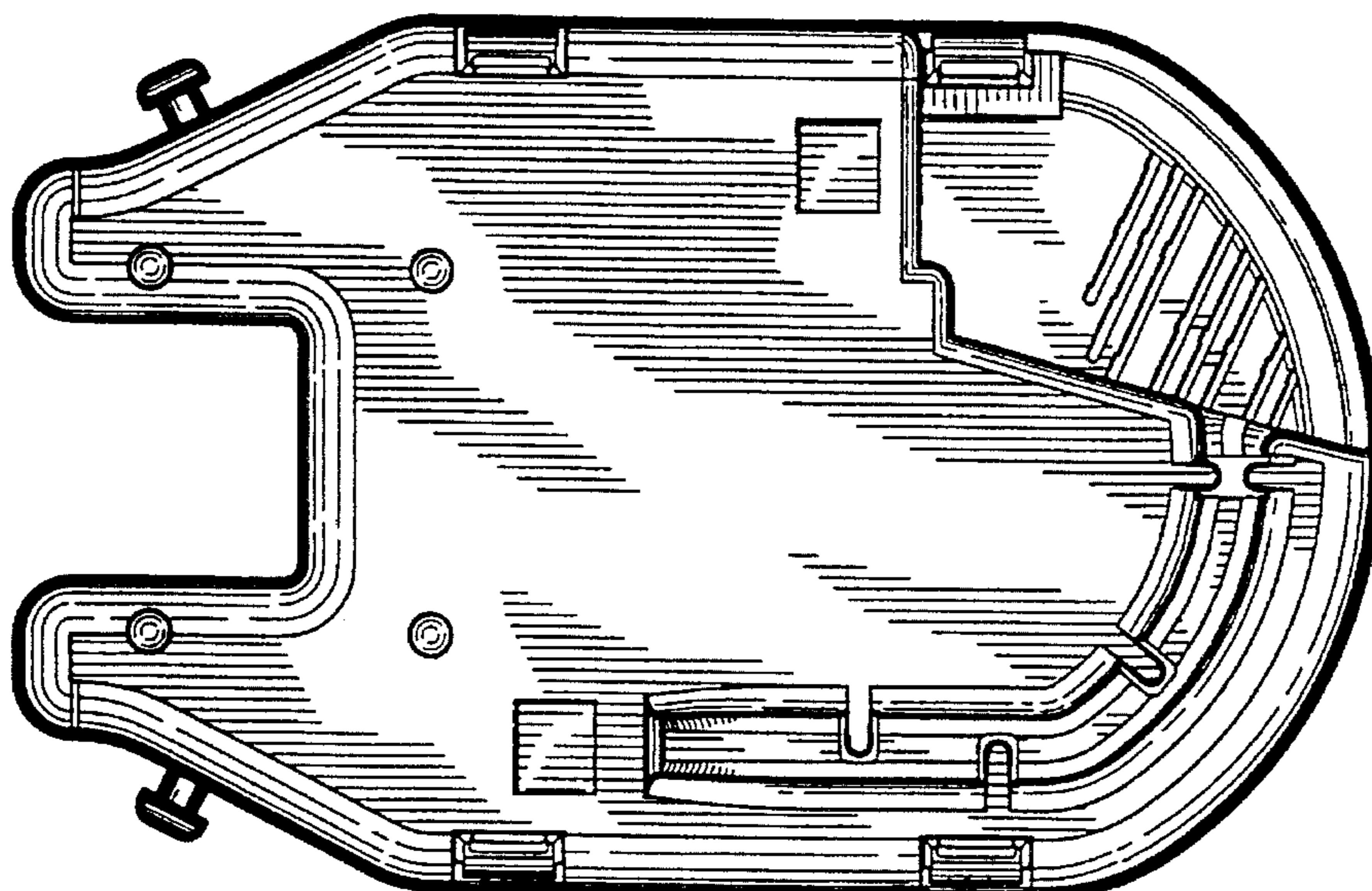




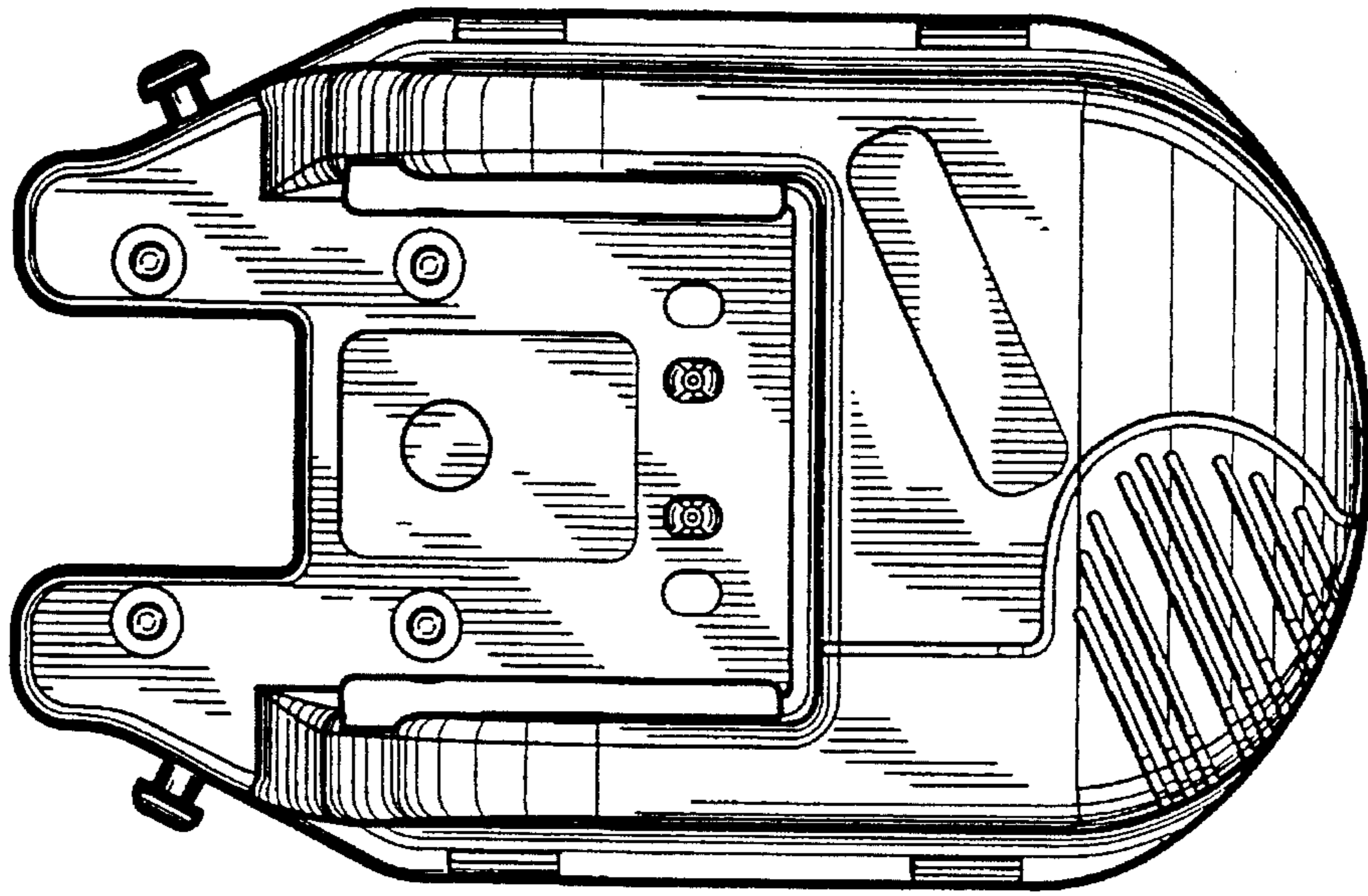
*FIG. 1*



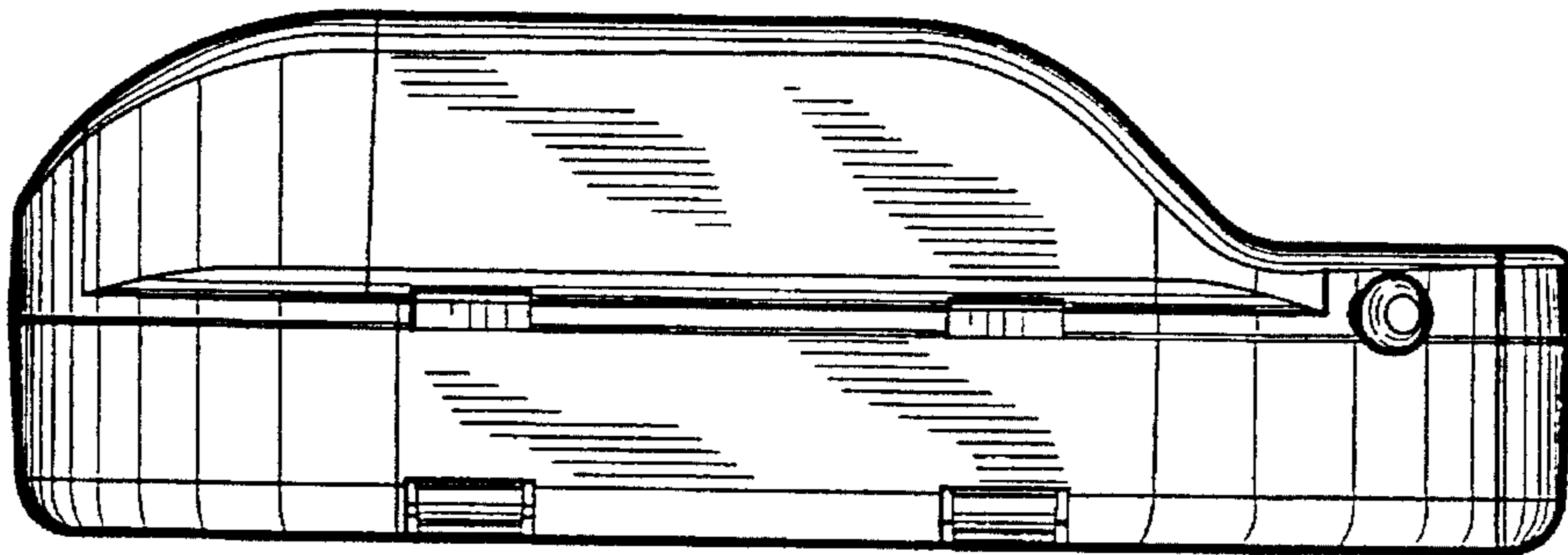
*FIG. 2*



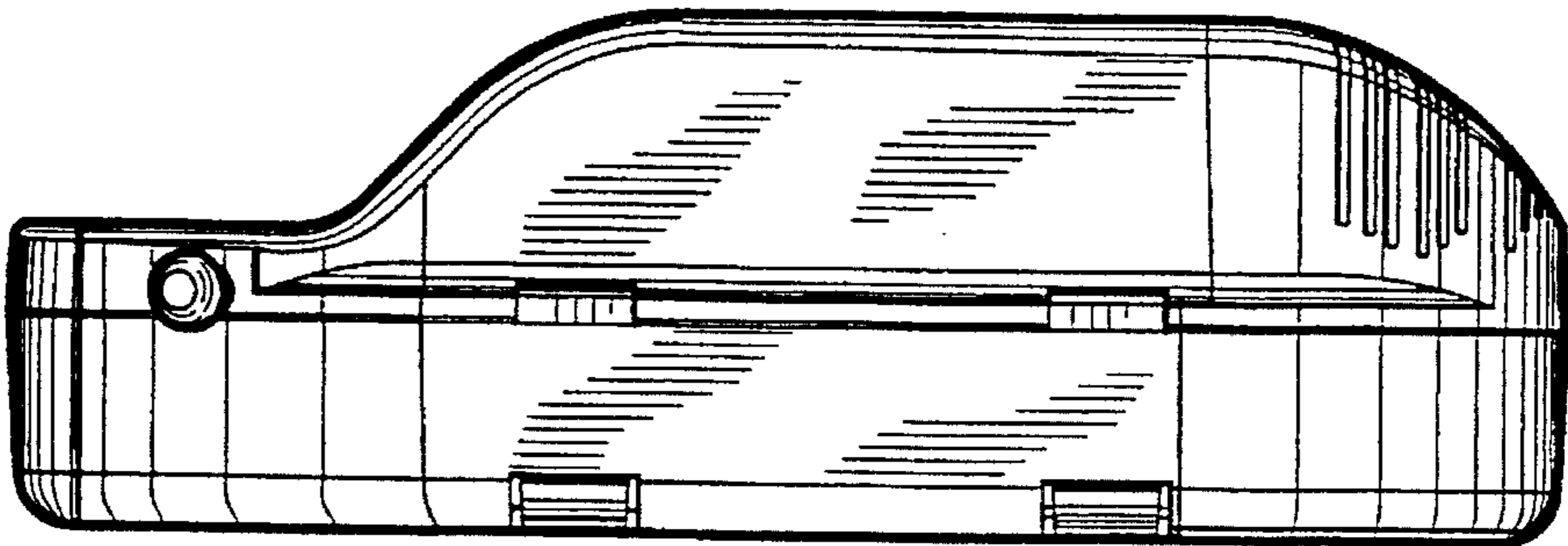
*FIG. 3*



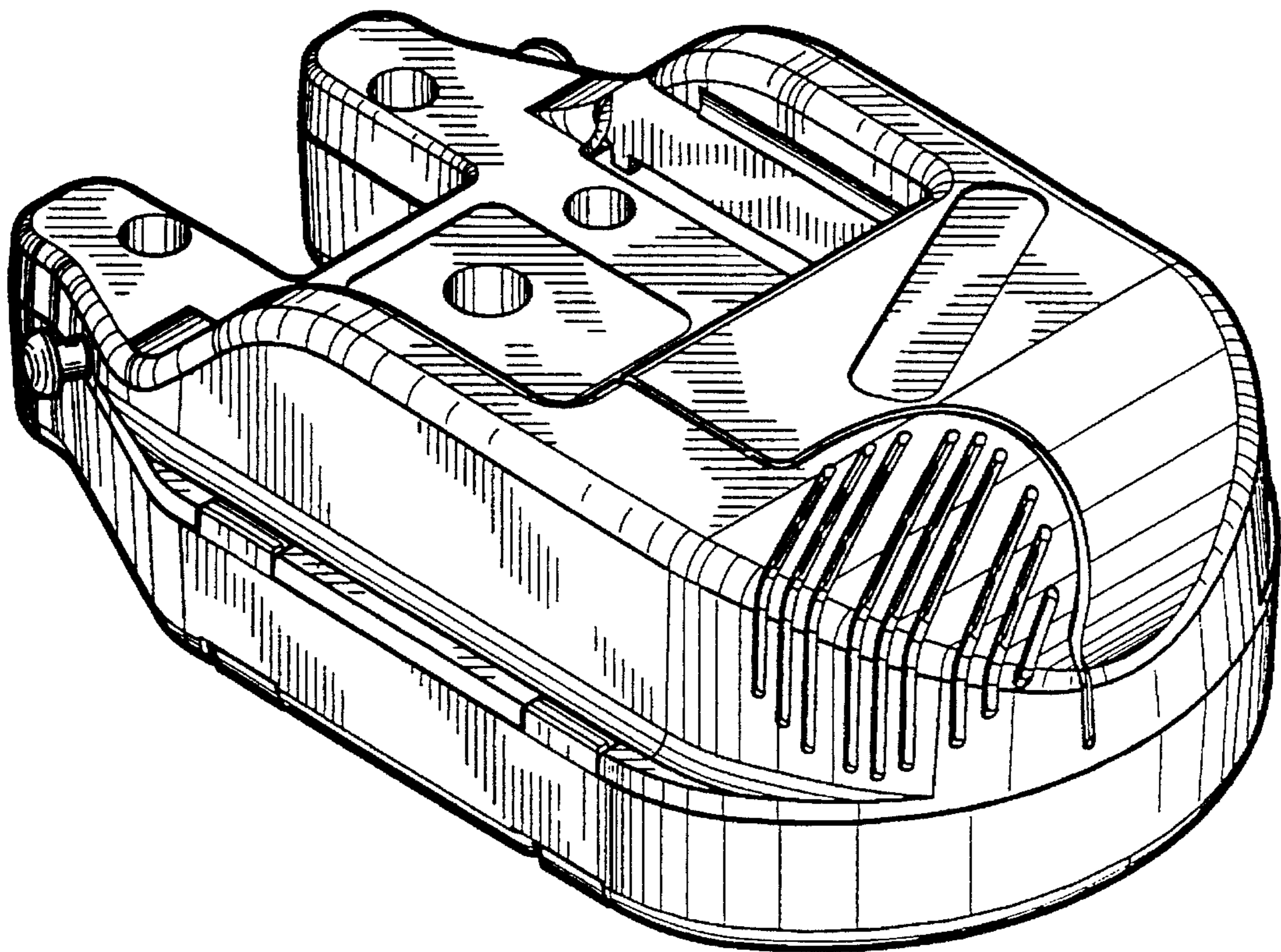
*FIG. 4*



*FIG. 5*



*FIG. 6*



*FIG. 7*