



US00D372217S

United States Patent [19]

Abbott et al.

[11] Patent Number: **Des. 372,217**

[45] Date of Patent: ****Jul. 30, 1996**

[54] **WIPER BLADE ASSEMBLY CLIP**

5,052,072 10/1991 Chen 15/250.42
5,235,721 8/1993 Chang 15/250.42

[75] Inventors: **Barry J. Abbott; Valeria M. Abbott,**
both of Belgrave; **Stephen J. Clarke;**
Dino Donchi, both of Ringwood, all of
Australia

FOREIGN PATENT DOCUMENTS

0537093 4/1993 European Pat. Off. 15/250.42

[73] Assignee: **Clean Screen Wipers Pty Ltd,**
Boronia, Australia

Primary Examiner—M. H. Tung
Attorney, Agent, or Firm—Baker & Daniels

[**] Term: **14 Years**

[57] CLAIM

[21] Appl. No.: **18,381**

The ornamental design for a wiper blade assembly clip, as shown and described.

[22] Filed: **Feb. 4, 1994**

DESCRIPTION

[30] Foreign Application Priority Data

FIG. 1 is a perspective view of a wiper blade assembly clip showing our new design;

Sep. 24, 1993 [AU] Australia 3028/93

FIG. 2 is a perspective view of the wiper blade assembly clip of FIG. 1, viewed from the underside of the wiper blade assembly clip;

[52] U.S. Cl. **D12/220**

FIG. 3 is a top view of the wiper blade assembly clip shown in FIG. 1;

[58] Field of Search D12/219-20; 15/250.05,
15/250.06, 250.07, 250.35, 250.36, 250.41,
250.42, 250.33, 250.32

FIG. 4 is a side view of the wiper blade assembly clip shown in FIG. 1, the opposite side view being a mirror image;

[56] References Cited

U.S. PATENT DOCUMENTS

3,626,544 12/1971 Lopez et al. 15/250.42
3,769,653 11/1973 Lopez 15/250.42
3,879,794 4/1975 Roberts, Jr. 15/250.42
4,156,951 6/1979 Sharp 15/250.42
4,442,566 4/1984 Sharp 15/250.42
4,566,147 1/1986 Baerenwald et al. 15/250.36 X
4,583,259 4/1986 Will 15/250.42

FIG. 5 is a bottom view of the wiper blade assembly clip shown in FIG. 1;

FIG. 6 is an front view of the wiper blade assembly clip shown in FIG. 1; and,

FIG. 7 is a rear view of the wiper blade assembly clip shown in FIG. 1.

1 Claim, 2 Drawing Sheets

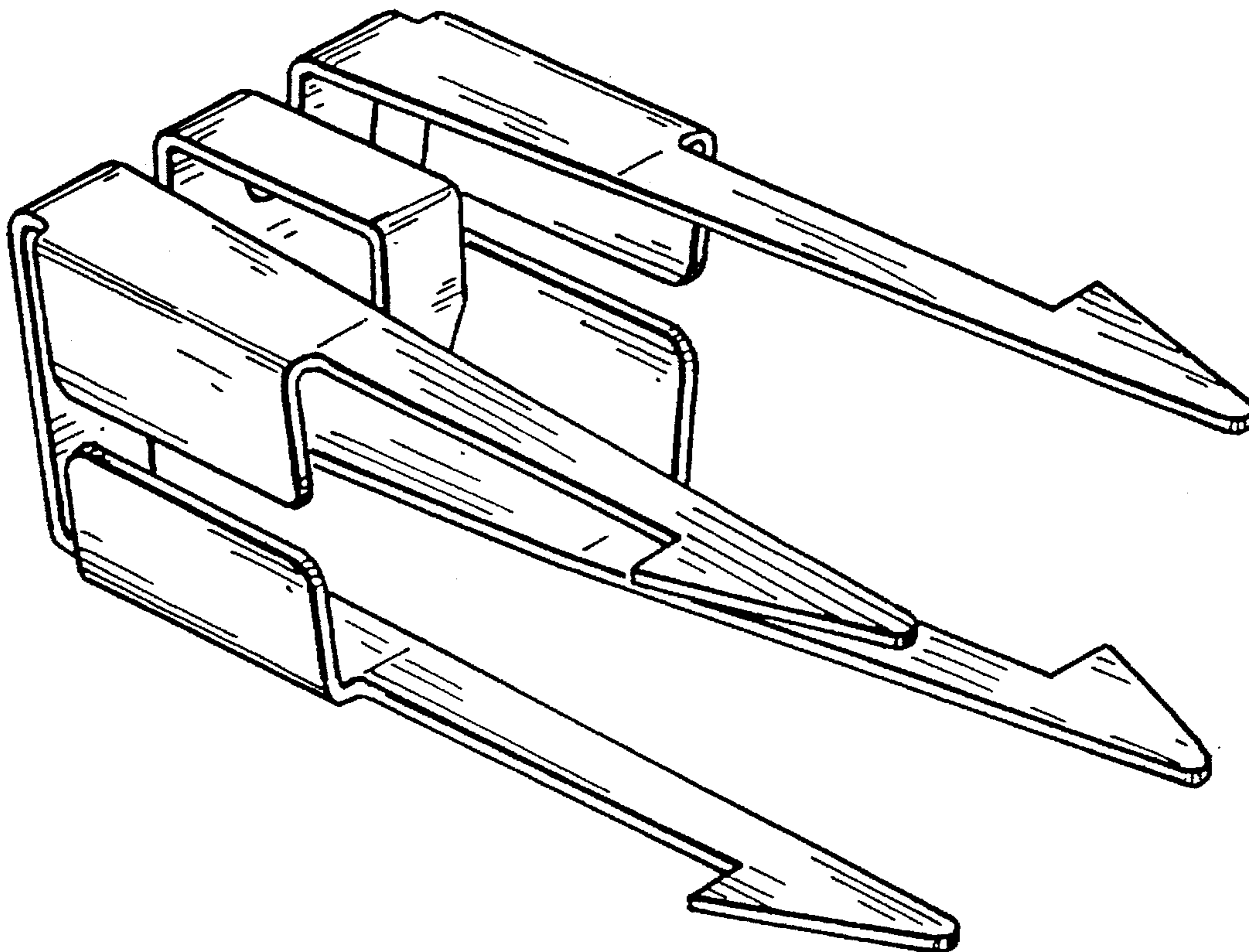


FIG. 1.

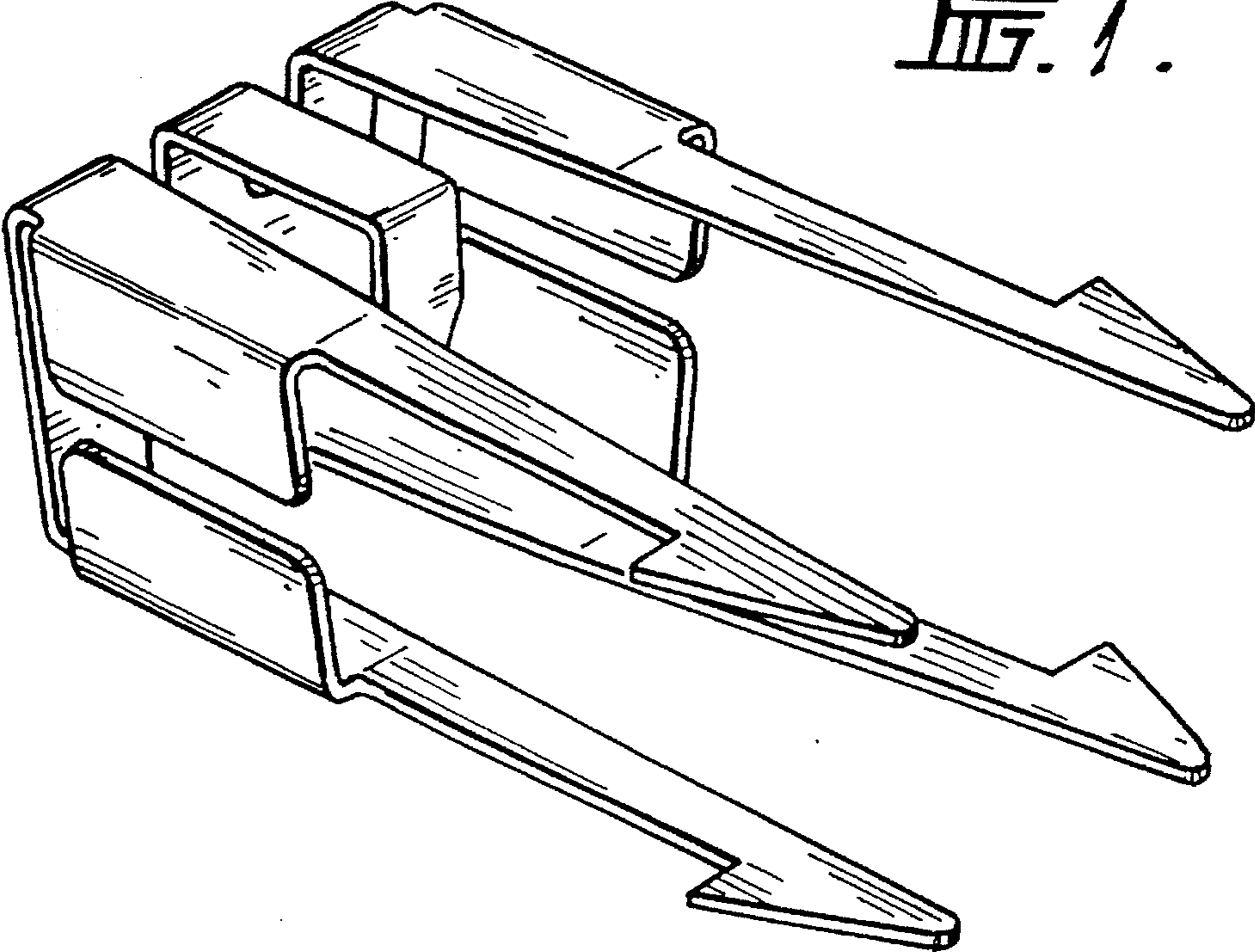
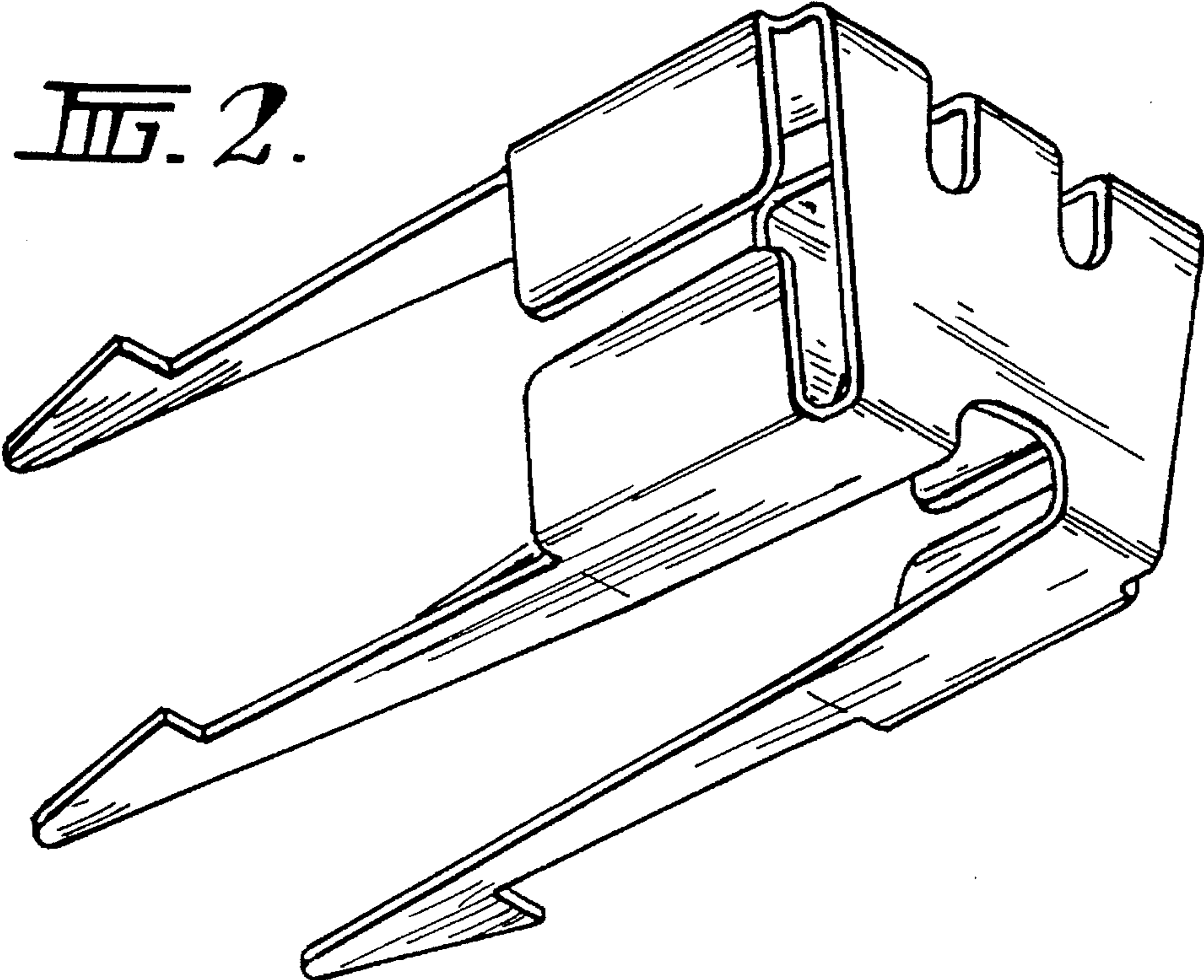
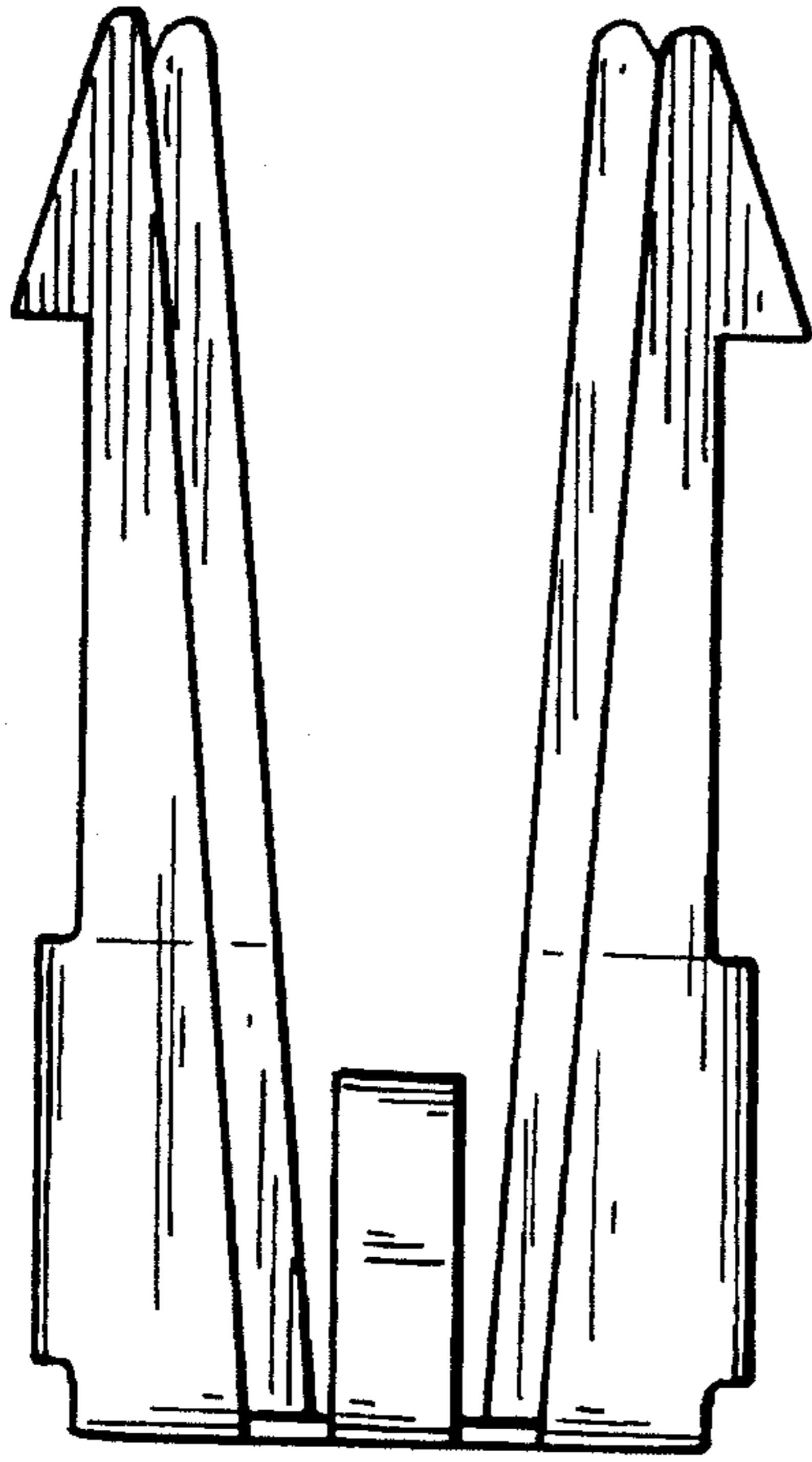
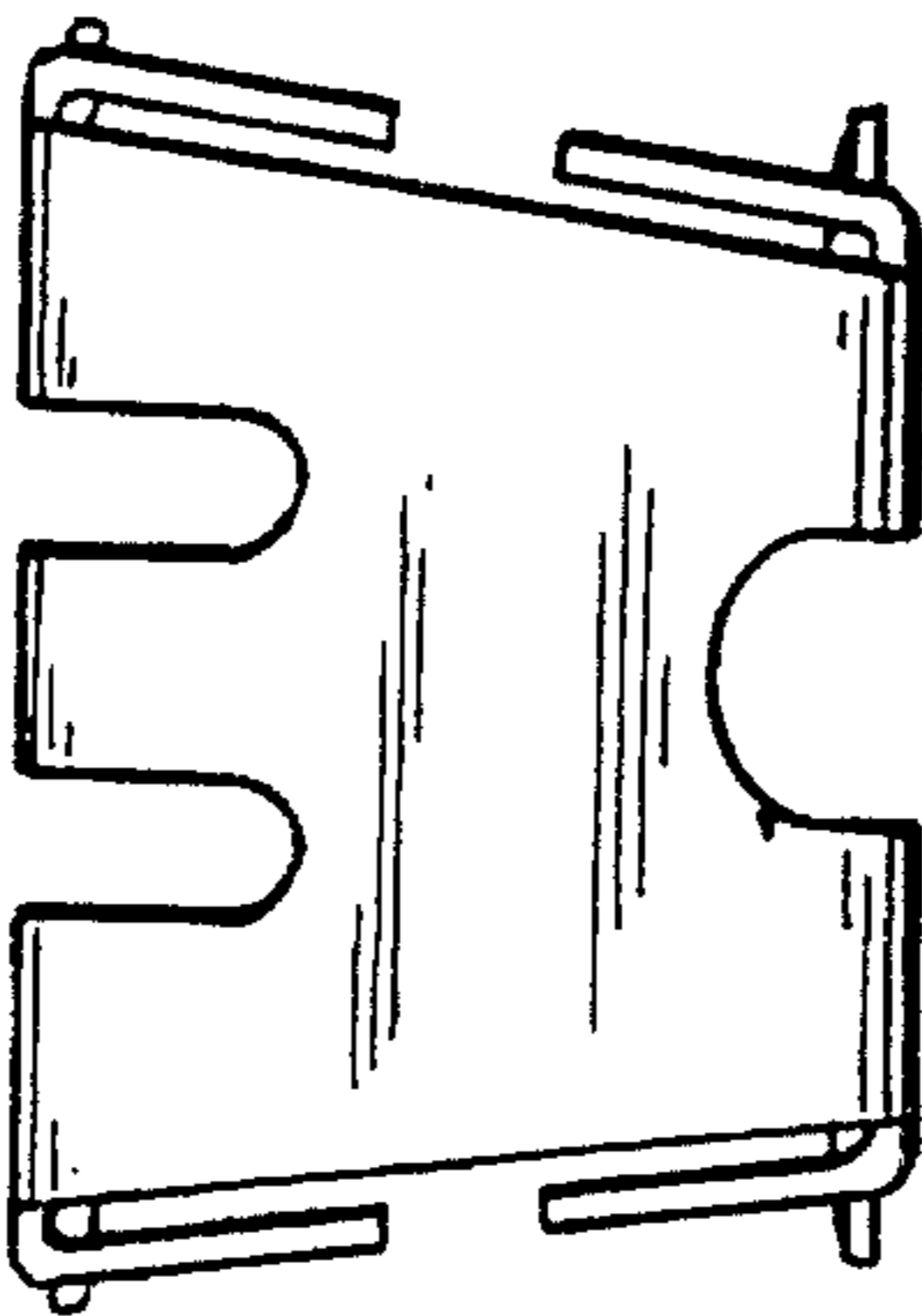


FIG. 2.

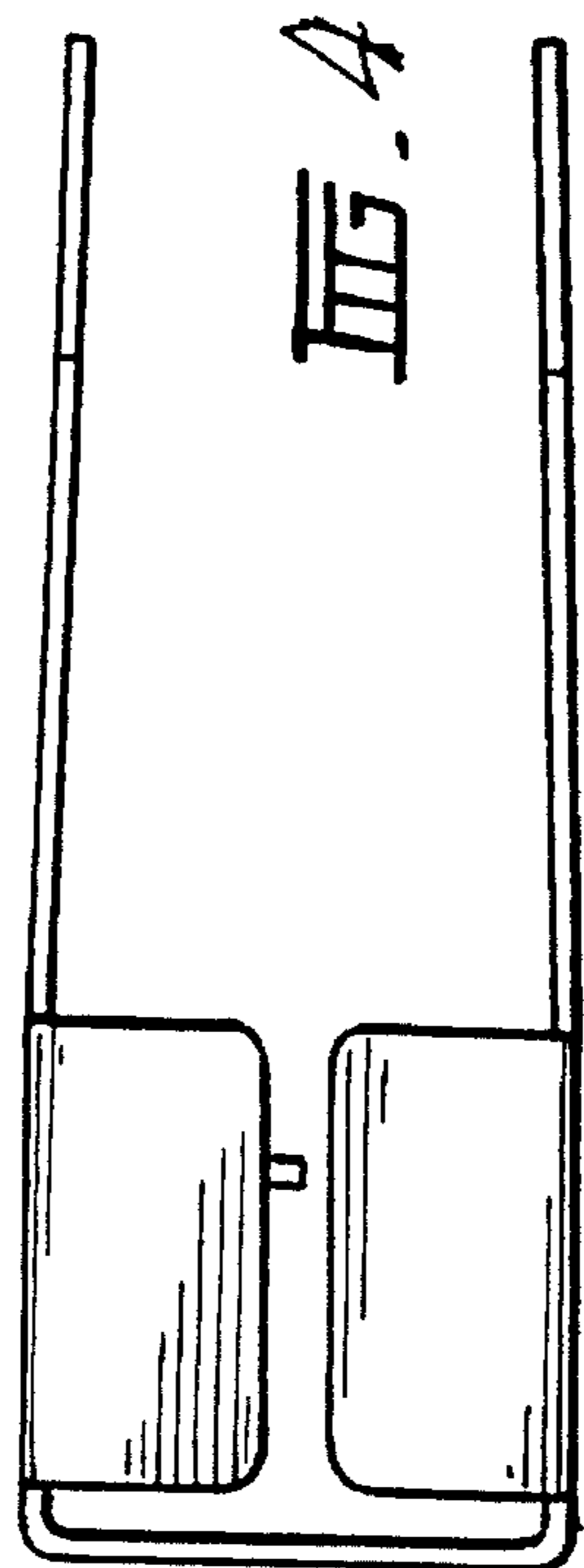




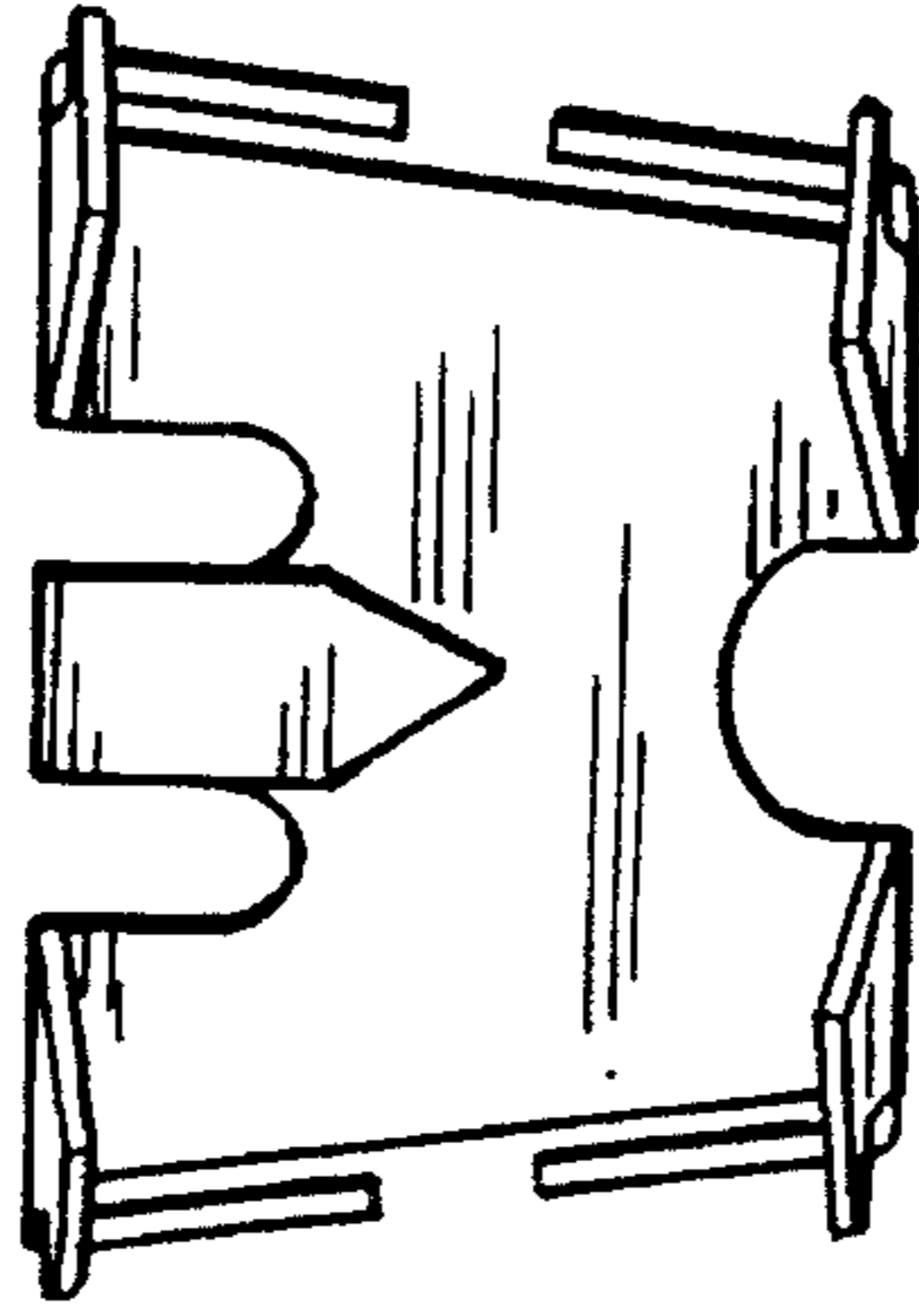
III. 3.



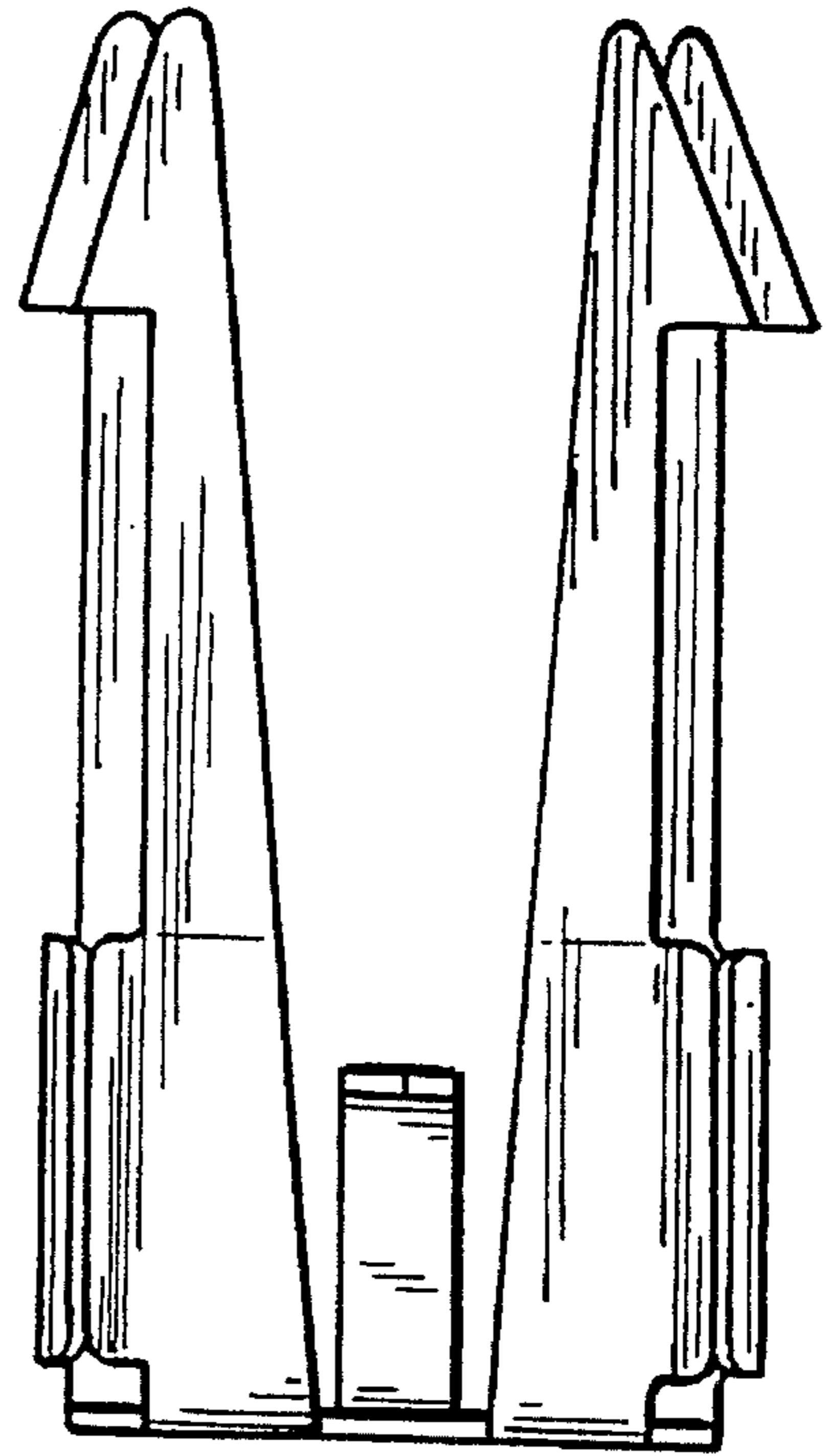
III. 6.



III. 4.



III. 7.



III. 5.

UNITED STATES PATENT AND TRADEMARK OFFICE
CERTIFICATE OF CORRECTION

PATENT NO. : Des. 372,217
DATED : July 30, 1996
INVENTOR(S) : Barry J. Abott, et al

Page 1 of 4

It is certified that error appears in the above-identified patent and that said Letters Patent is hereby corrected as shown below:

The title page, showing an illustrative figure, should be deleted and substitute therefor the attached title page.

Delete Drawing Figures 1-6, and substitute therefor the Drawing sheets, consisting of Fig.1-6, as shown on the attached pages.

Signed and Sealed this
Fifteenth Day of July, 1997



BRUCE LEHMAN

Commissioner of Patents and Trademarks

Attest:

Attesting Officer

United States Patent [19]
Abbott et al.

[11] **Patent Number: Des. 372,217**
 [45] **Date of Patent: **Jul. 30, 1996**

[54] **WIPER BLADE ASSEMBLY CLIP**

[75] **Inventors: Barry J. Abbott; Valeria M. Abbott, both of Belgrave; Stephen J. Clarke; Dino Donchi, both of Ringwood, all of Australia**

[73] **Assignee: Clean Screen Wipers Pty Ltd, Boronia, Australia**

[**] **Term: 14 Years**

[21] **Appl. No.: 18,381**

[22] **Filed: Feb. 4, 1994**

[30] **Foreign Application Priority Data**

Sep. 24, 1993 [AU] Australia 3028/93
 [52] **U.S. Cl. D12/220**
 [58] **Field of Search D12/219-20; 15/250.05, 15/250.06, 250.07, 250.35, 250.36, 250.41, 250.42, 250.33, 250.32**

[56] **References Cited**

U.S. PATENT DOCUMENTS

3,626,544	12/1971	Lopez et al.	15/250.42
3,769,653	11/1973	Lopez	15/250.42
3,879,794	4/1975	Roberts, Jr.	15/250.42
4,156,951	6/1979	Sharp	15/250.42
4,442,566	4/1984	Sharp	15/250.42
4,566,147	1/1986	Baerenwald et al.	15/250.36 X
4,583,259	4/1986	Will	15/250.42

5,052,072	10/1991	Chen	15/250.42
5,235,721	8/1993	Chang	15/250.42

FOREIGN PATENT DOCUMENTS

0537093	4/1993	European Pat. Off.	15/250.42
---------	--------	-------------------------	-----------

Primary Examiner—M. H. Tung
Attorney, Agent, or Firm—Baker & Daniels

[57] **CLAIM**

The ornamental design for a wiper blade assembly clip, as shown and described.

DESCRIPTION

FIG. 1 is a perspective view of a wiper blade assembly clip showing our new design;
 FIG. 2 is a perspective view of the wiper blade assembly clip of FIG. 1, viewed from the underside of the wiper blade assembly clip;
 FIG. 3 is a top view of the wiper blade assembly clip shown in FIG. 1;
 FIG. 4 is a side view of the wiper blade assembly clip shown in FIG. 1, the opposite side view being a mirror image;
 FIG. 5 is a bottom view of the wiper blade assembly clip shown in FIG. 1;
 FIG. 6 is an front view of the wiper blade assembly clip shown in FIG. 1; and,
 FIG. 7 is a rear view of the wiper blade assembly clip shown in FIG. 1.

1 Claim, 2 Drawing Sheets

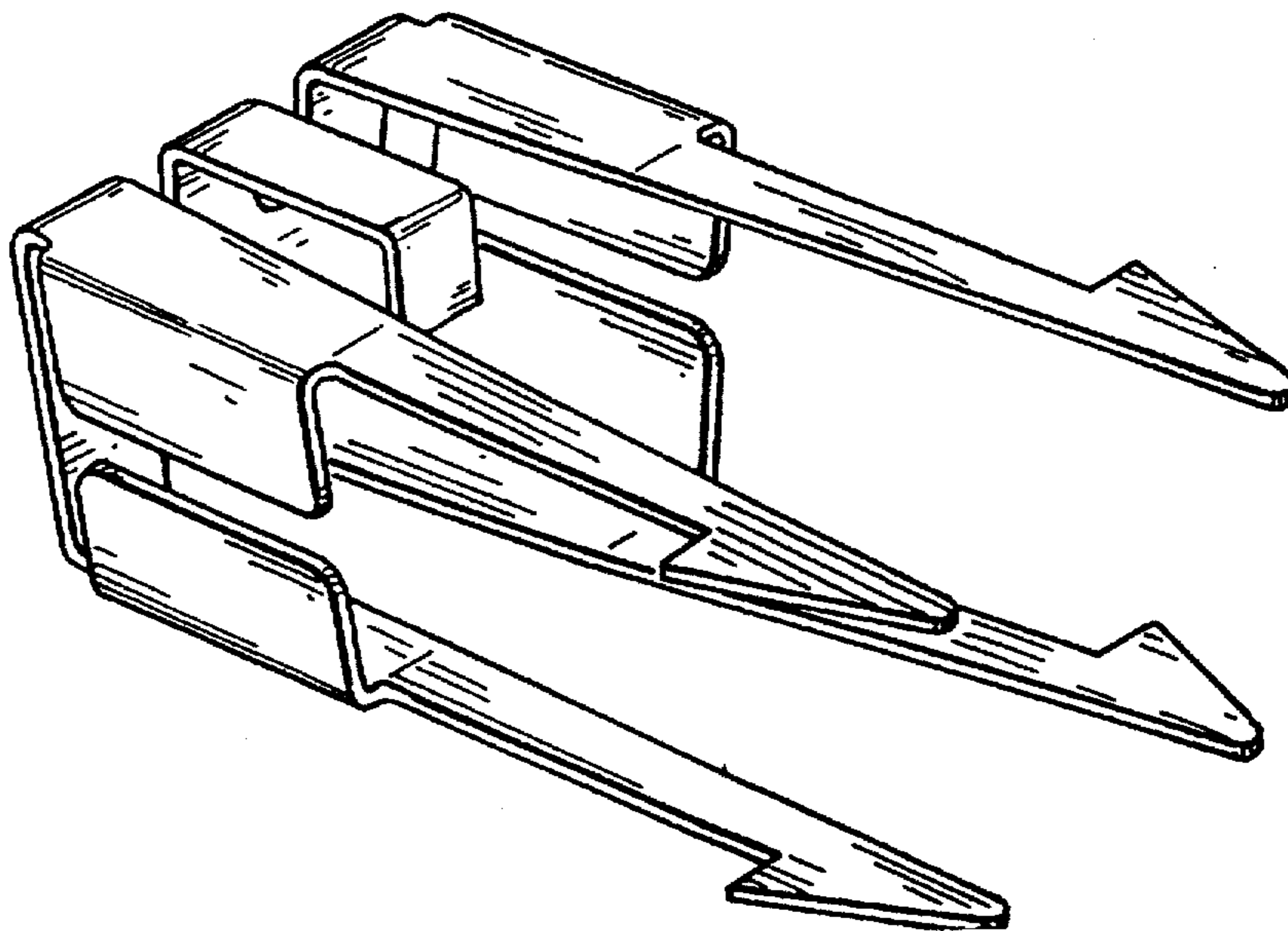


FIG. 1.

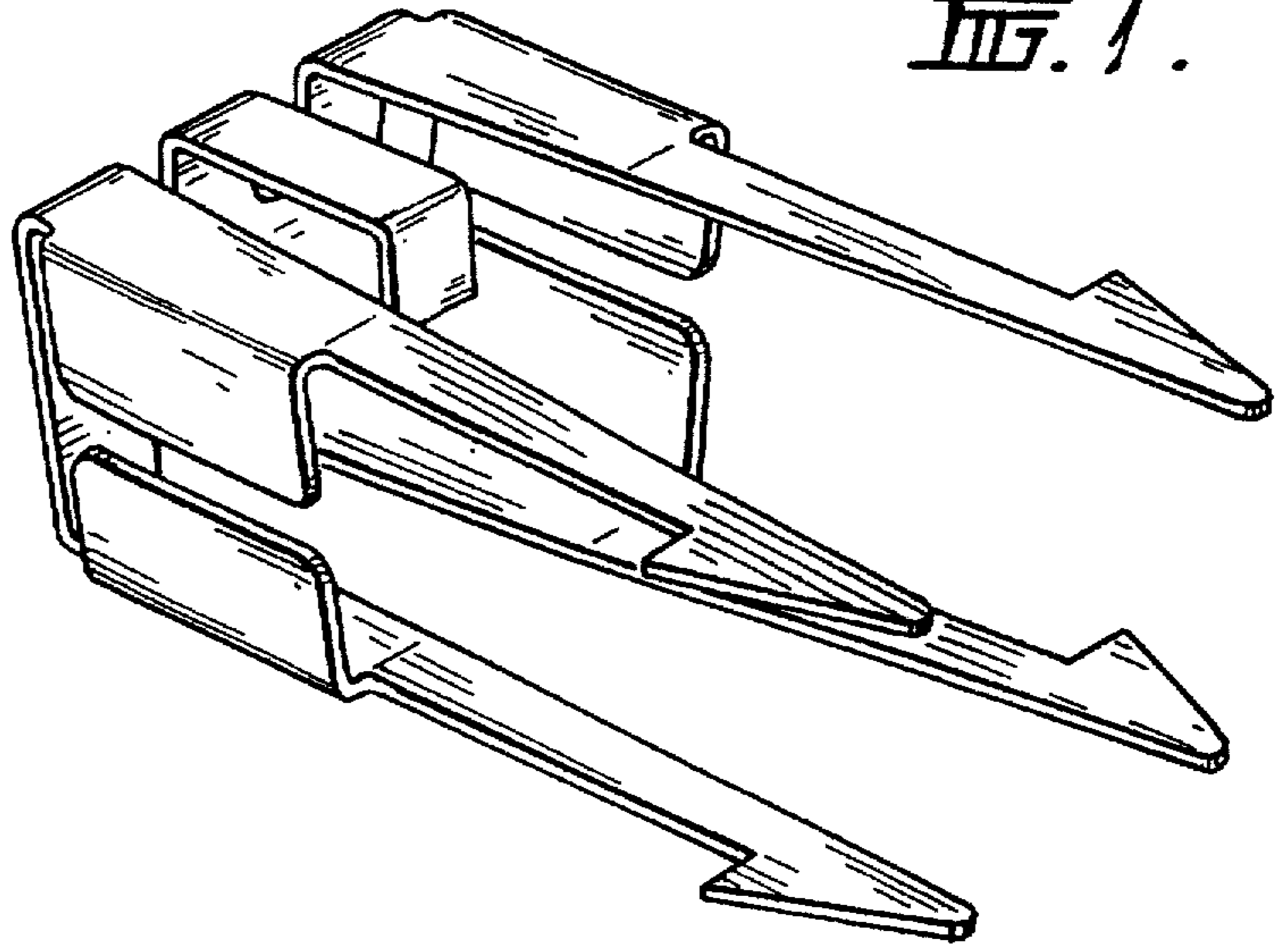


FIG. 2.

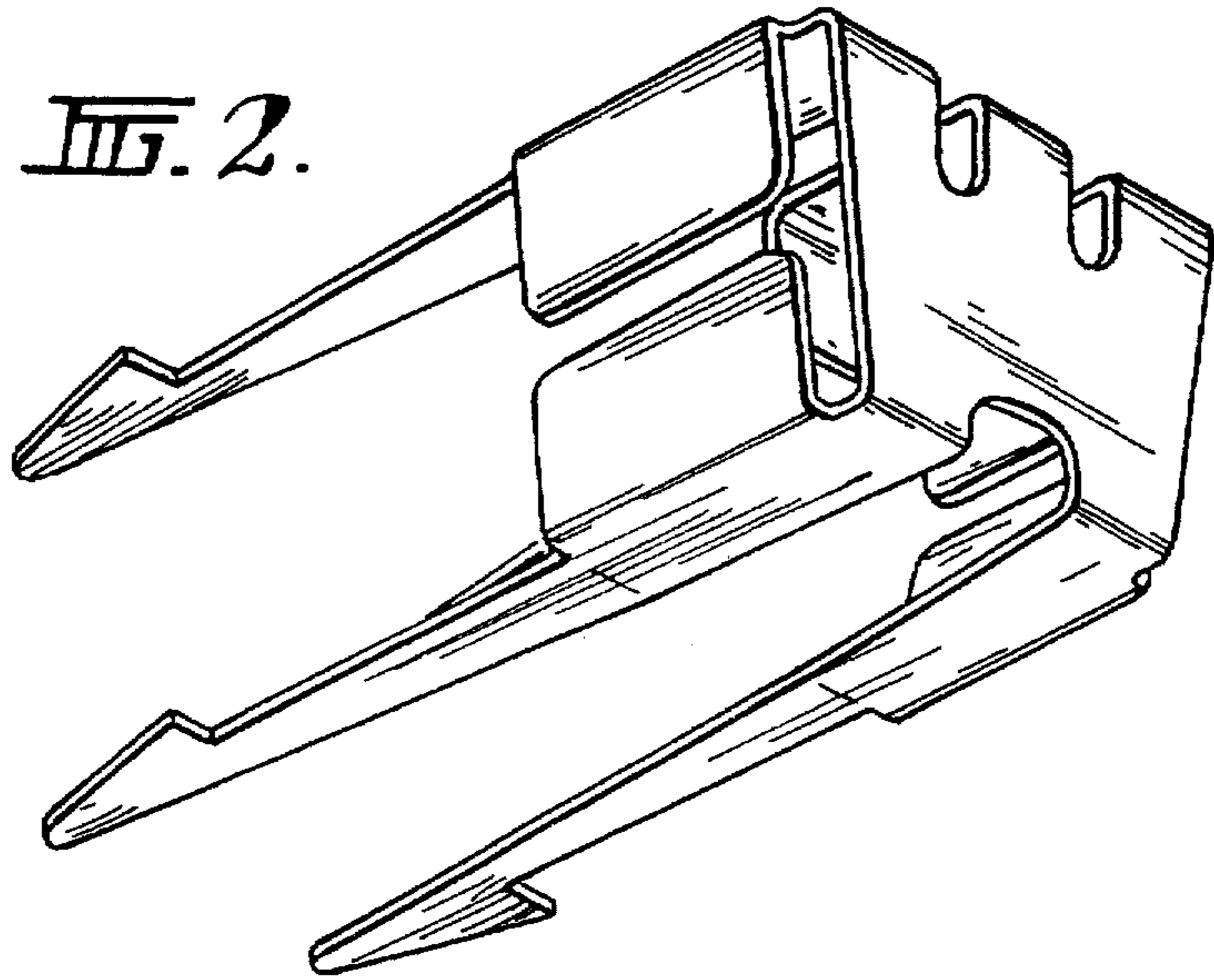


FIG. 3.

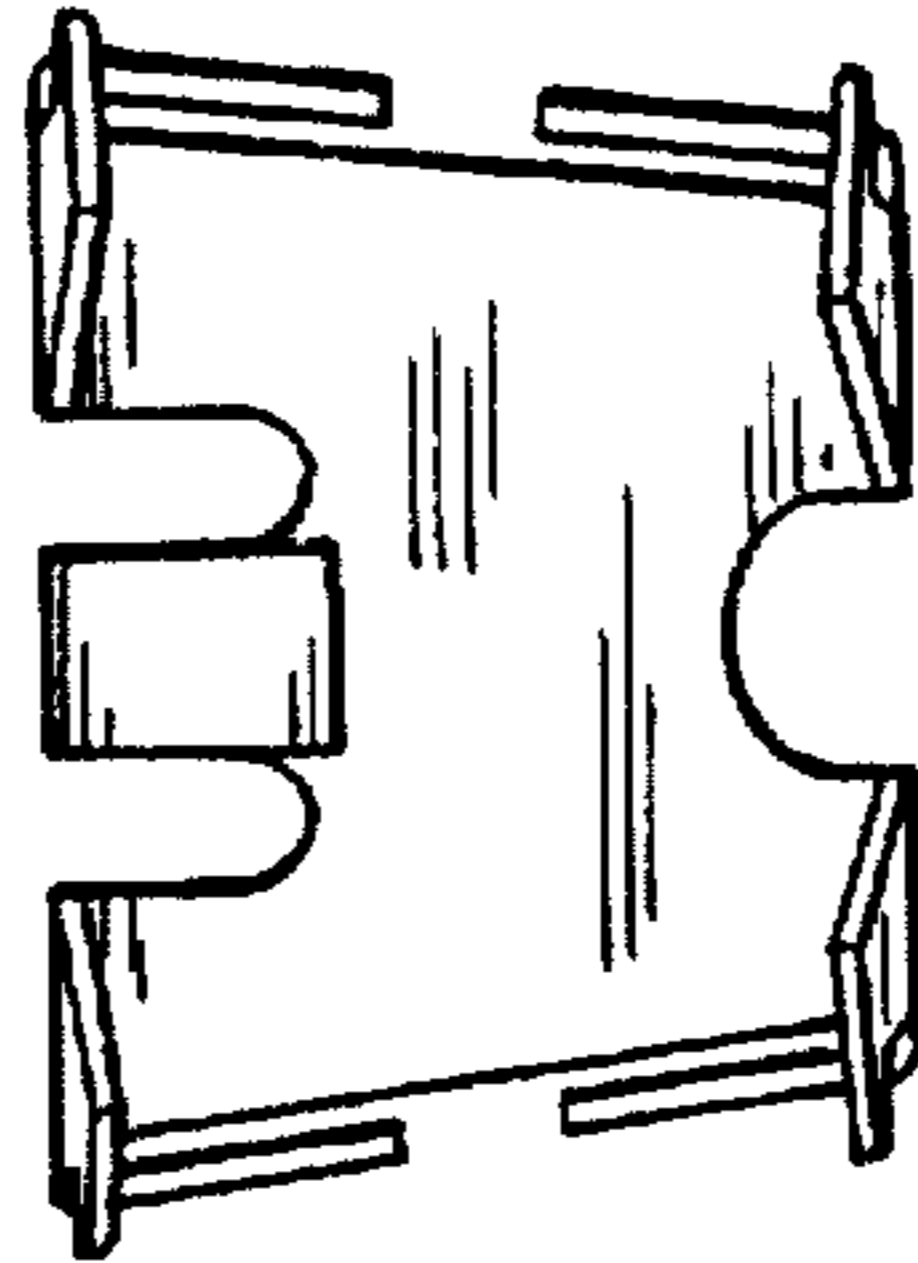
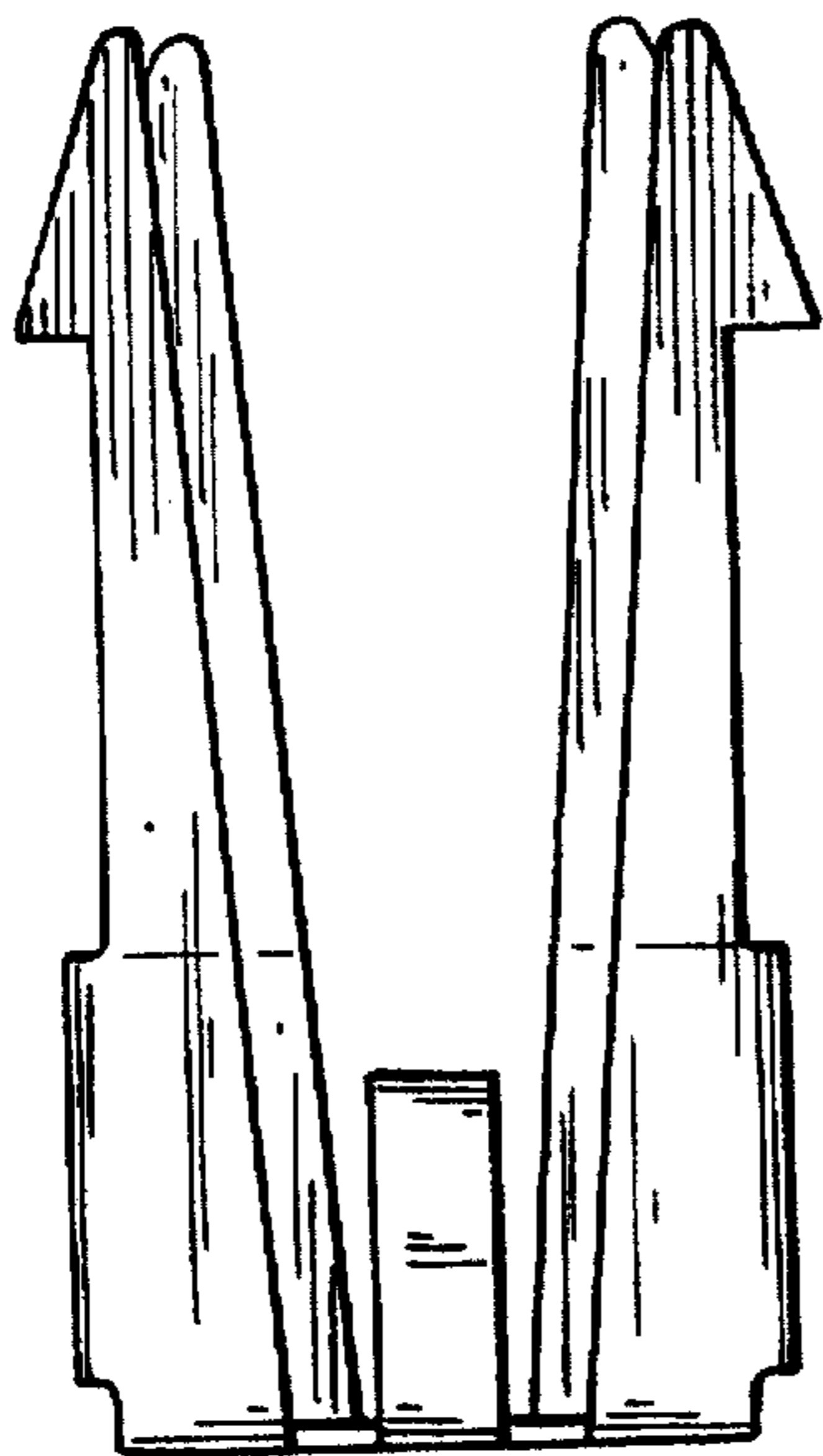


FIG. 7.

FIG. 5.

FIG. 4.

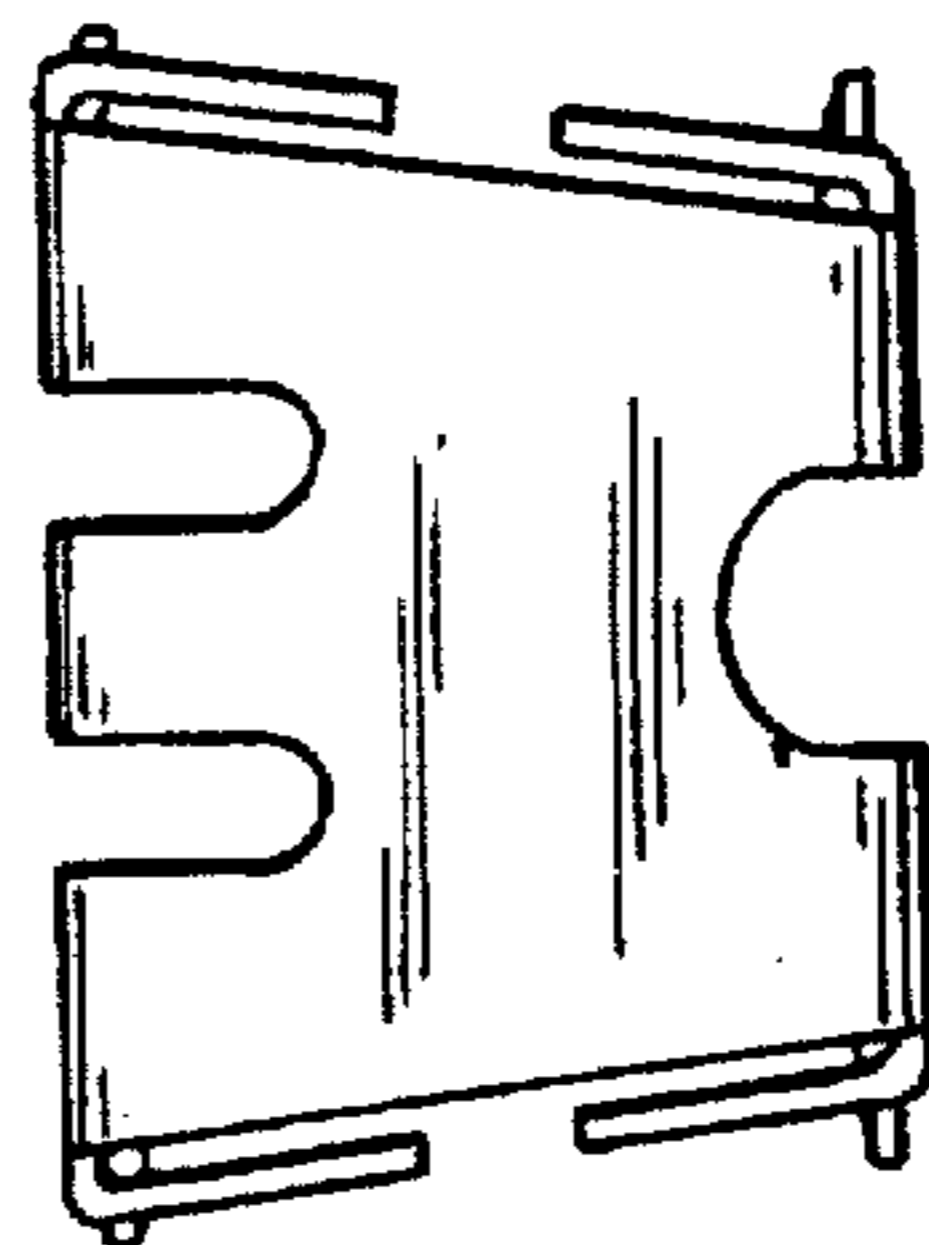
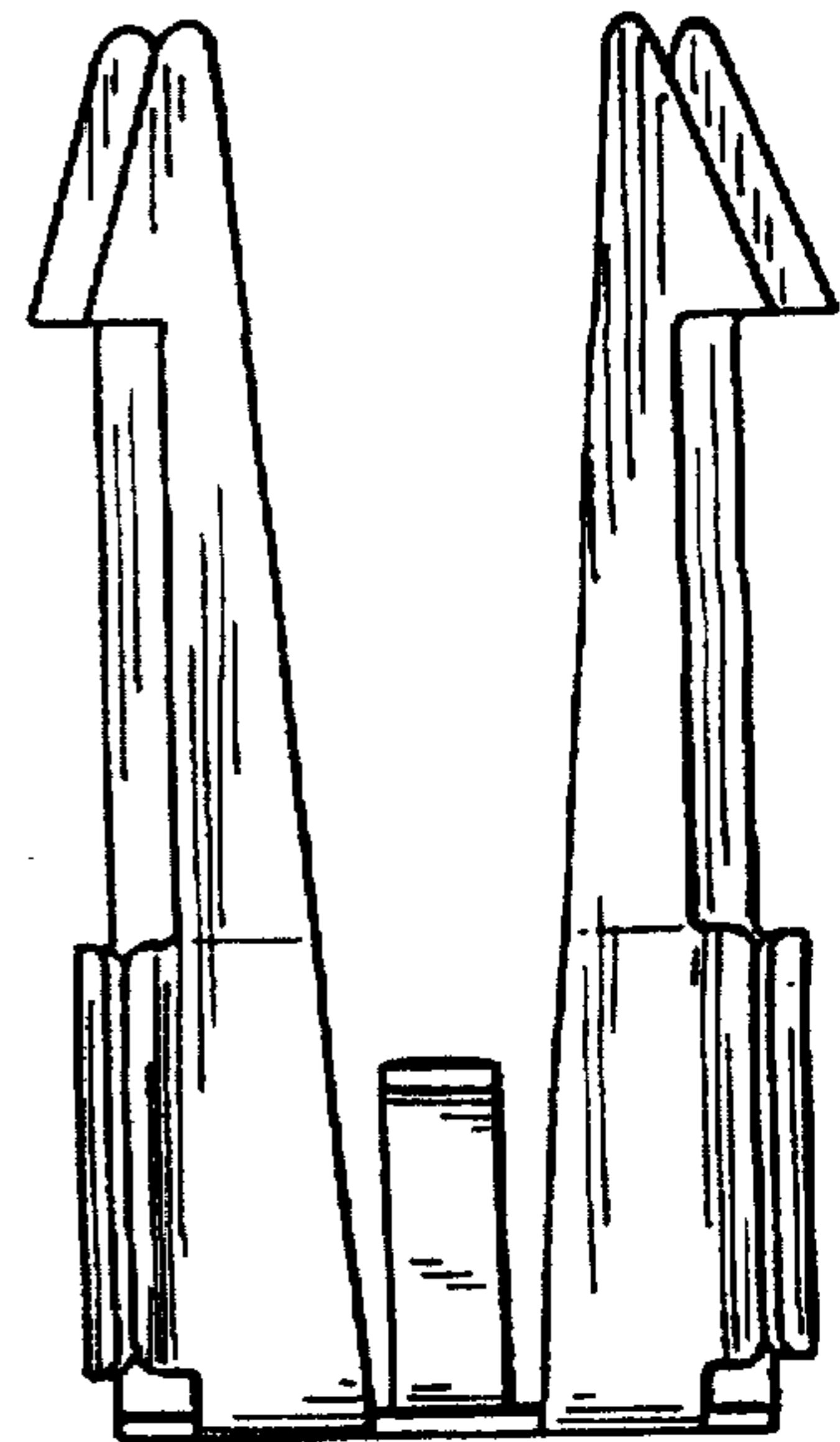
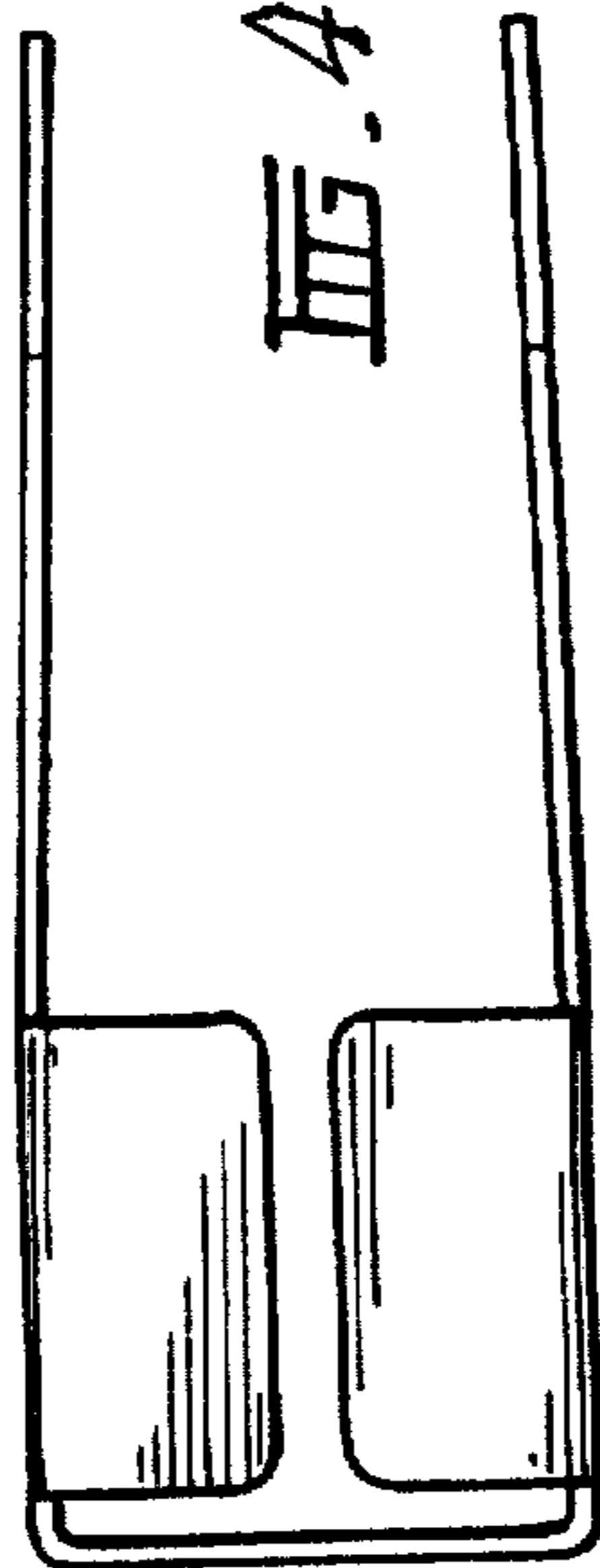


FIG. 6.