



US00D372214S

**United States Patent** [19]  
**Vaillancourt**

[11] **Patent Number: Des. 372,214**

[45] **Date of Patent: \*\*Jul. 30, 1996**

[54] **FORK FOR THE FRONT WHEEL OF A MOTORCYCLE**

4,766,982 8/1988 Hayashi et al. .... 280/276 X  
5,186,481 2/1993 Turner ..... 280/276  
5,193,832 3/1993 Wilson et al. .... 280/277 X

[75] Inventor: **Gilles J. Vaillancourt**, Winnetka, Calif.

*Primary Examiner*—Holly H. Baynham  
*Attorney, Agent, or Firm*—Loeb & Loeb LLP

[73] Assignee: **Works Performance Products, Inc.**, Northridge, Calif.

[57] **CLAIM**

[\*\*] Term: **14 Years**

The design for a fork for the front wheel of a motorcycle, as shown and described.

[21] Appl. No.: **33,224**

**DESCRIPTION**

[22] Filed: **Dec. 23, 1994**

[52] U.S. Cl. .... **D12/118**

FIG. 1 is a perspective view showing my new design;  
FIG. 2 is a front elevation view thereof;  
FIG. 3 is a rear elevation view thereof;  
FIG. 4 is a right side elevation view thereof;  
FIG. 5 is a left side elevation view thereof;  
FIG. 6 is an enlarged top plan view thereof; and,  
FIG. 7 is a bottom plan view thereof.

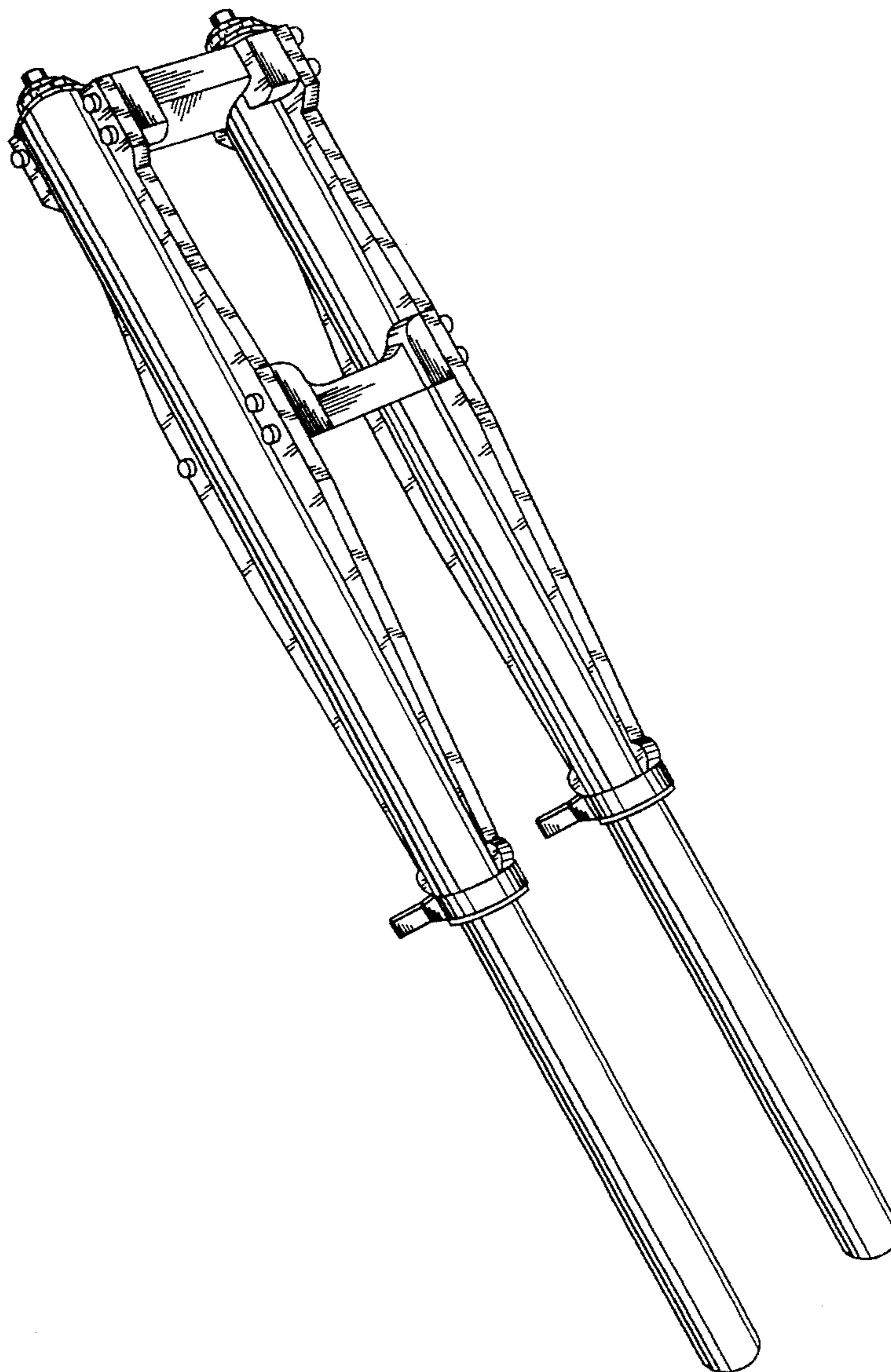
[58] Field of Search ..... D12/118; 280/277,  
280/276; 180/219

[56] **References Cited**

**U.S. PATENT DOCUMENTS**

D. 340,434 10/1993 Hammer et al. .... D12/118  
3,753,578 8/1973 Rupp, II ..... 280/276

**1 Claim, 7 Drawing Sheets**



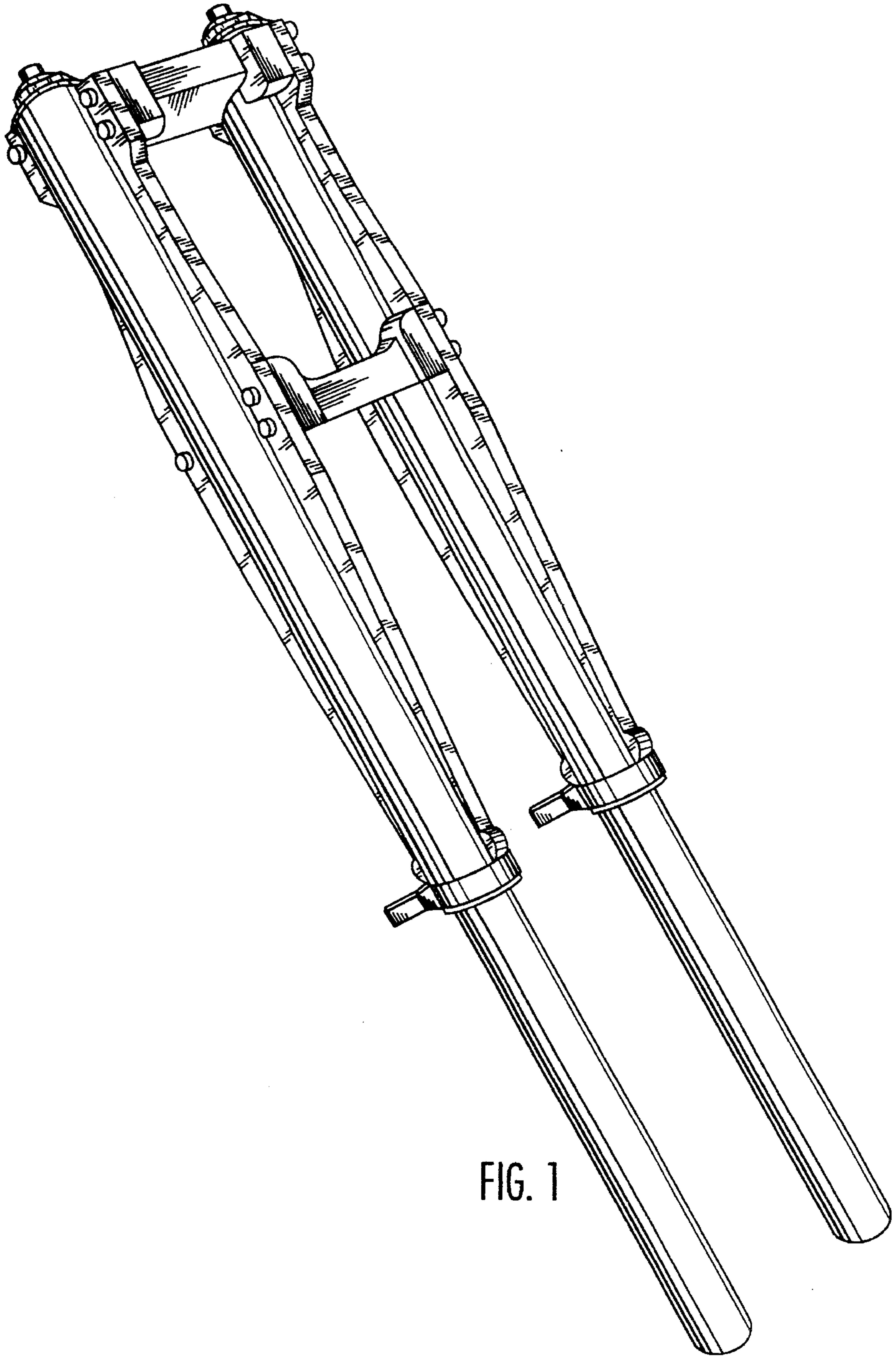


FIG. 1

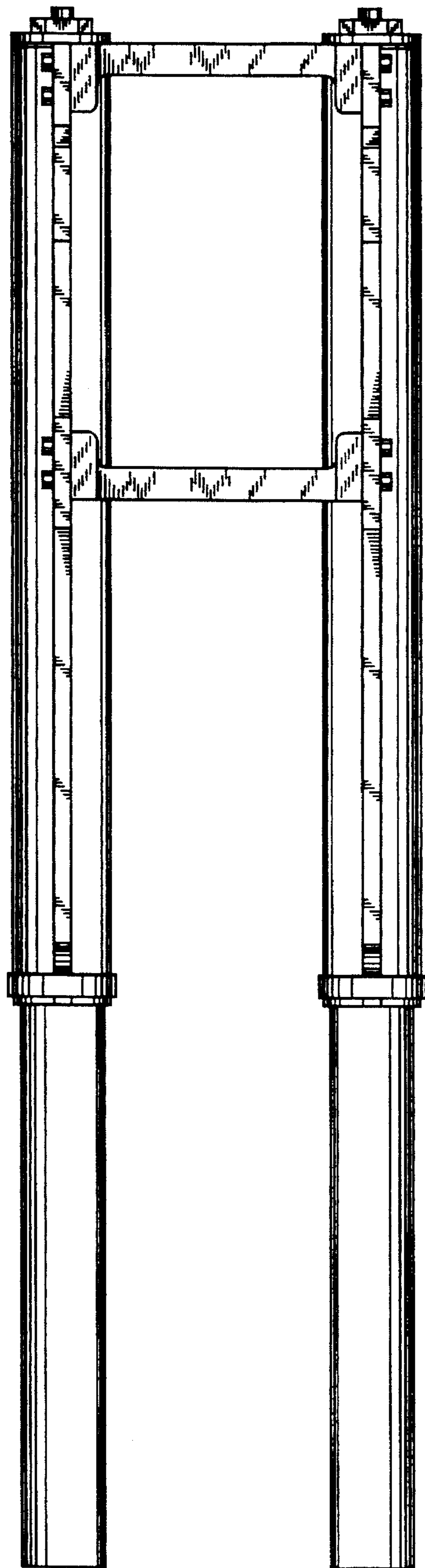


FIG. 2

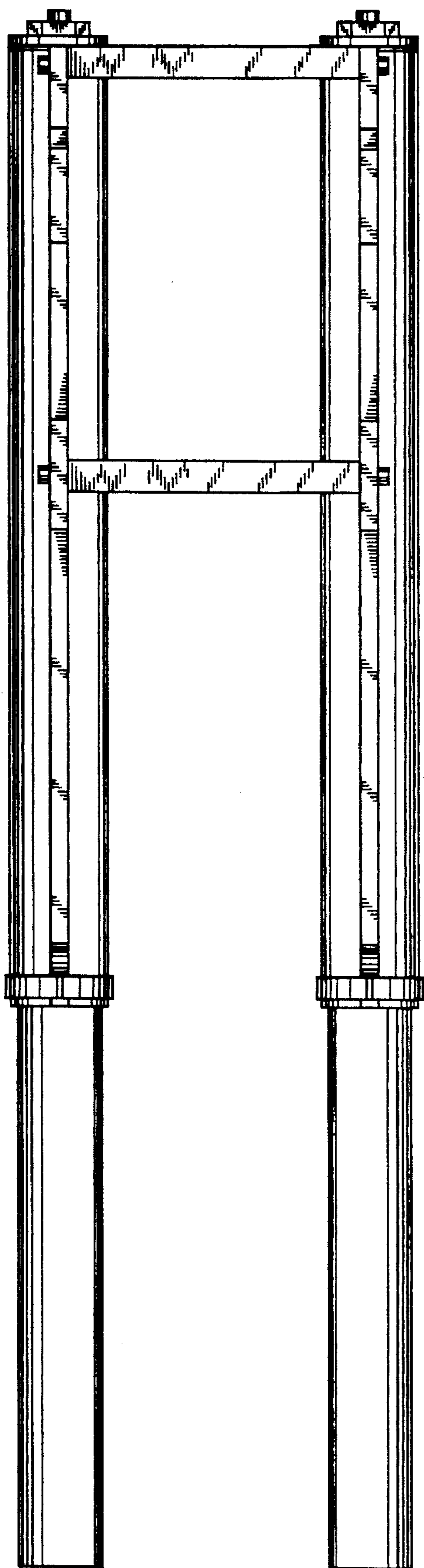


FIG. 3

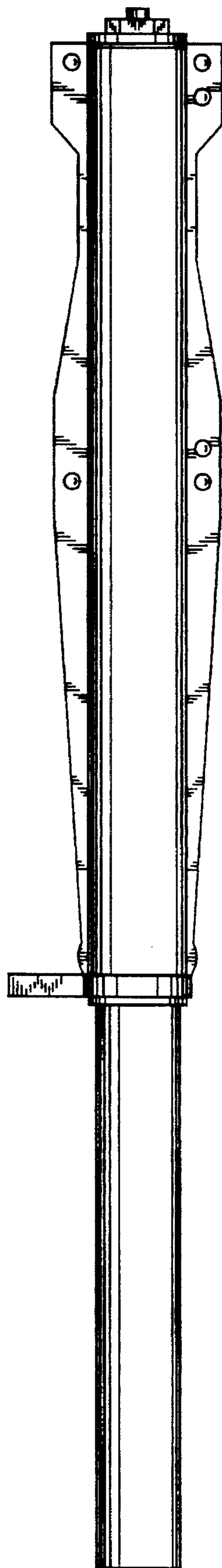


FIG. 4

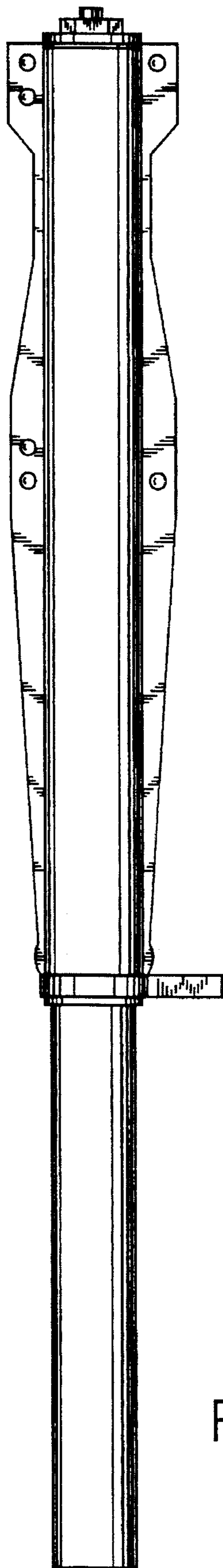


FIG. 5

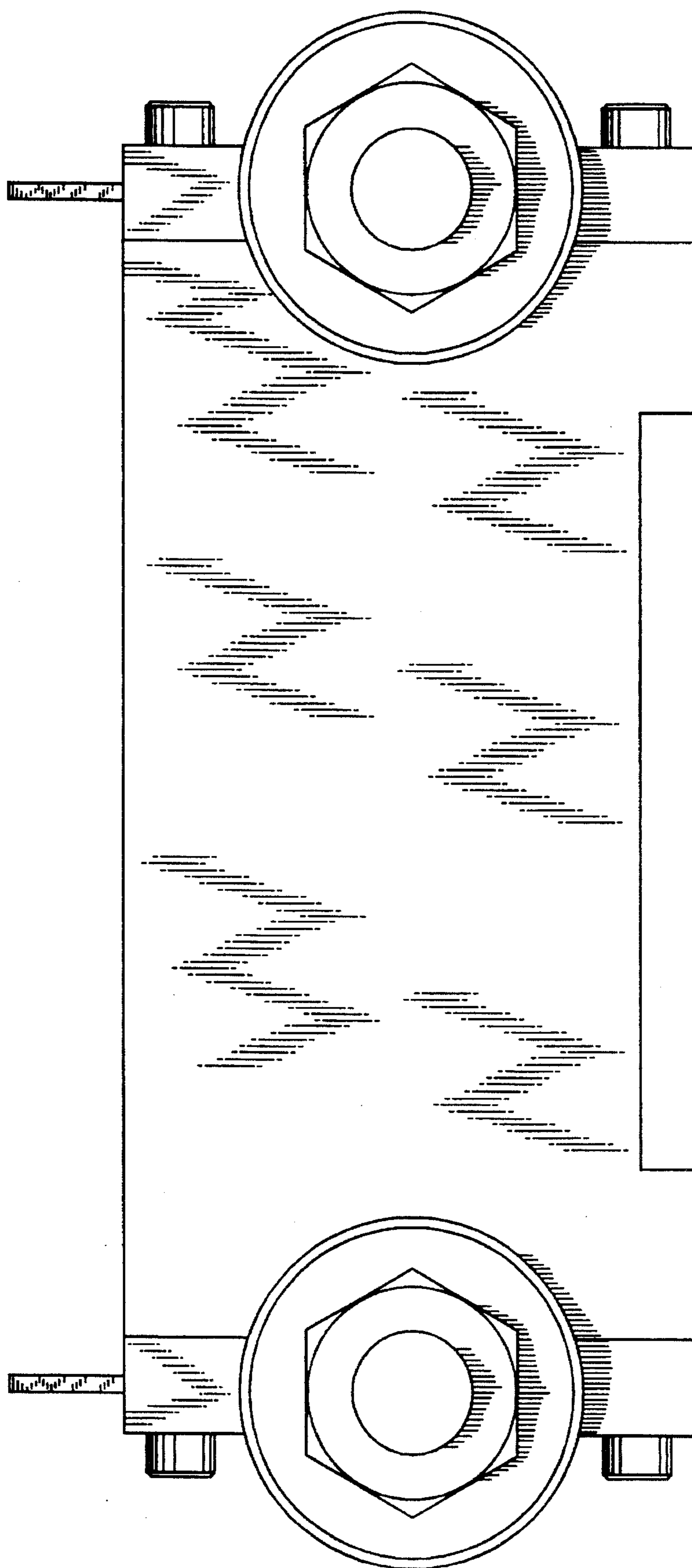


FIG. 6

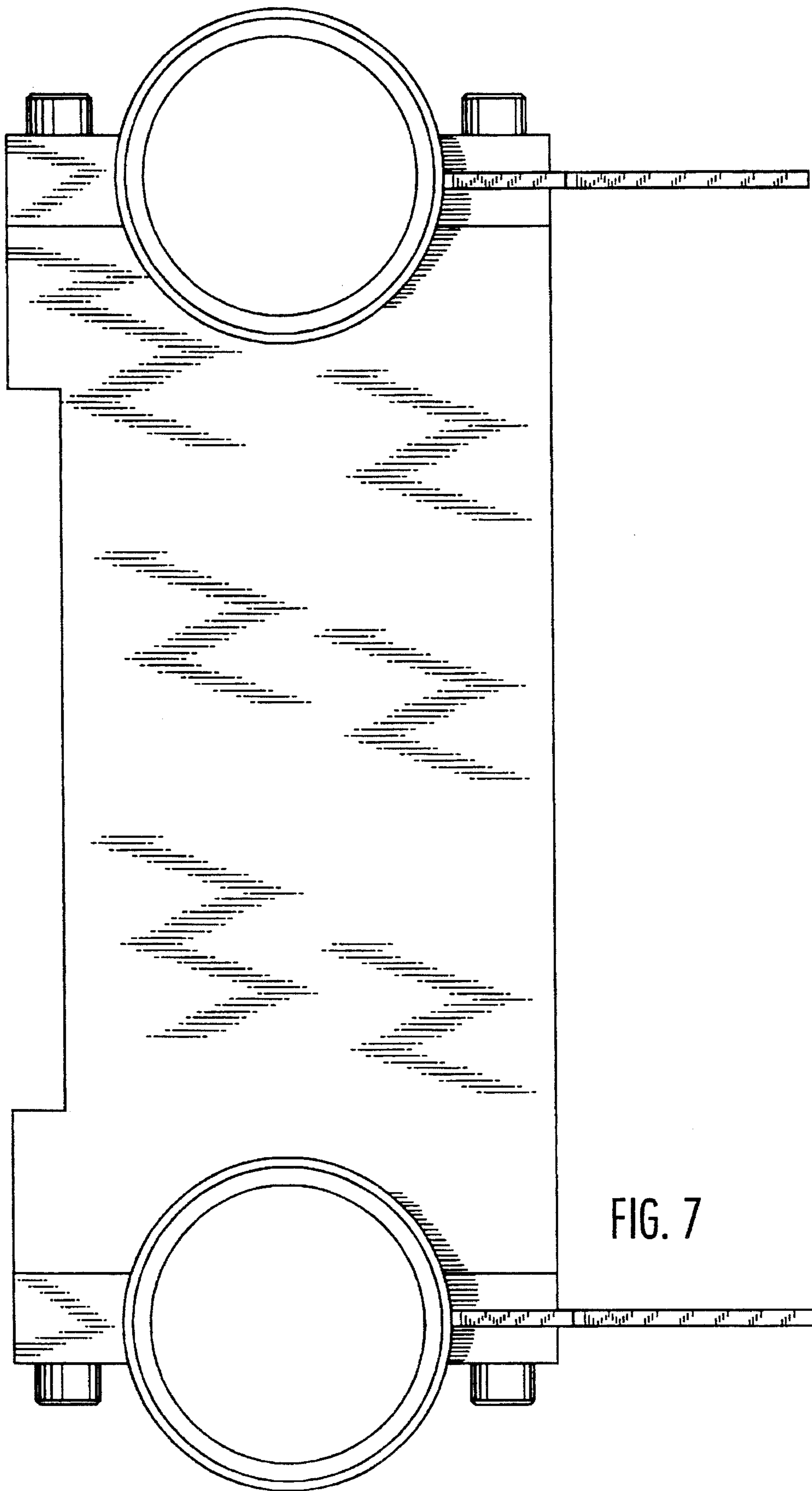


FIG. 7