



US00D372212S

United States Patent [19]

Dietz et al.

[11] Patent Number: **Des. 372,212**

[45] Date of Patent: ****Jul. 30, 1996**

[54] **BICYCLE**

[75] Inventors: **Timothy J. Dietz**, Springboro; **Paul S. Haney**, Cincinnati; **Robert L. Ice**, St. Marys; **Phillip A. Piper**, Celina, all of Ohio

[73] Assignee: **Huffy Corporation**, Miamisburg, Ohio

[**] Term: **14 Years**

[21] Appl. No.: **34,738**

[22] Filed: **Feb. 10, 1995**

[52] U.S. Cl. **D12/111**

[58] Field of Search D12/111; 280/281.1, 280/288.1, 288.2, 288.3

[56] **References Cited**

U.S. PATENT DOCUMENTS

| | | | |
|------------|--------|---------------------|---------|
| D. 349,667 | 6/1994 | Dietz et al. | D12/111 |
| D. 354,934 | 1/1995 | Johnson et al. | D12/111 |
| D. 359,014 | 6/1995 | Haney et al. | D12/111 |
| D. 362,209 | 9/1995 | Dietz et al. | D12/111 |
| 693,521 | 2/1902 | Ishoy | 280/287 |
| 2,153,249 | 4/1939 | Henry | 280/281 |

| | | | |
|-----------|---------|----------------------|-----------|
| 2,440,091 | 4/1948 | Hoyt | 280/287 |
| 4,067,589 | 1/1978 | Hon | 280/278 |
| 4,441,729 | 4/1984 | Underwood | 280/278 |
| 4,448,437 | 5/1984 | Montague | 280/287 |
| 4,746,136 | 5/1988 | Kirk | 280/281.1 |
| 4,921,267 | 5/1990 | Kirk | 280/281.1 |
| 5,356,165 | 10/1994 | Kulhawik et al. | 280/275 |
| 5,360,225 | 11/1994 | Chen | 280/278 |

Primary Examiner—Melody M. Brown
Attorney, Agent, or Firm—Biebel & French

[57] **CLAIM**

The ornamental design for a bicycle, as shown.

DESCRIPTION

FIG. 1 is a perspective view of a bicycle illustrating the present invention;
FIG. 2 is a left side elevational view thereof;
FIG. 3 is a right side elevational view thereof;
FIG. 4 is a front end elevational view thereof;
FIG. 5 is a rear end elevational view thereof;
FIG. 6 is a top plan view thereof; and,
FIG. 7 is a bottom plan view thereof.

1 Claim, 6 Drawing Sheets

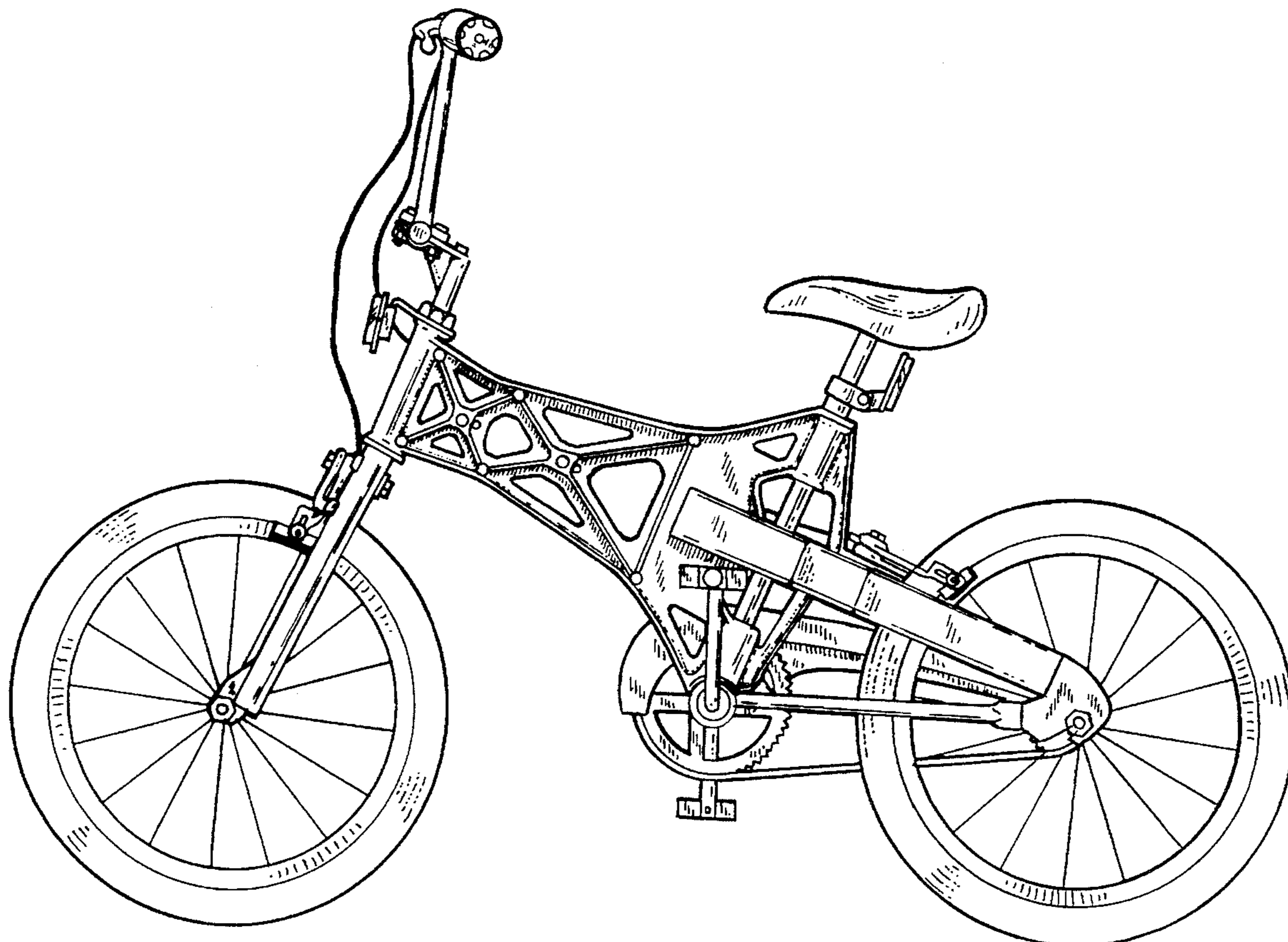
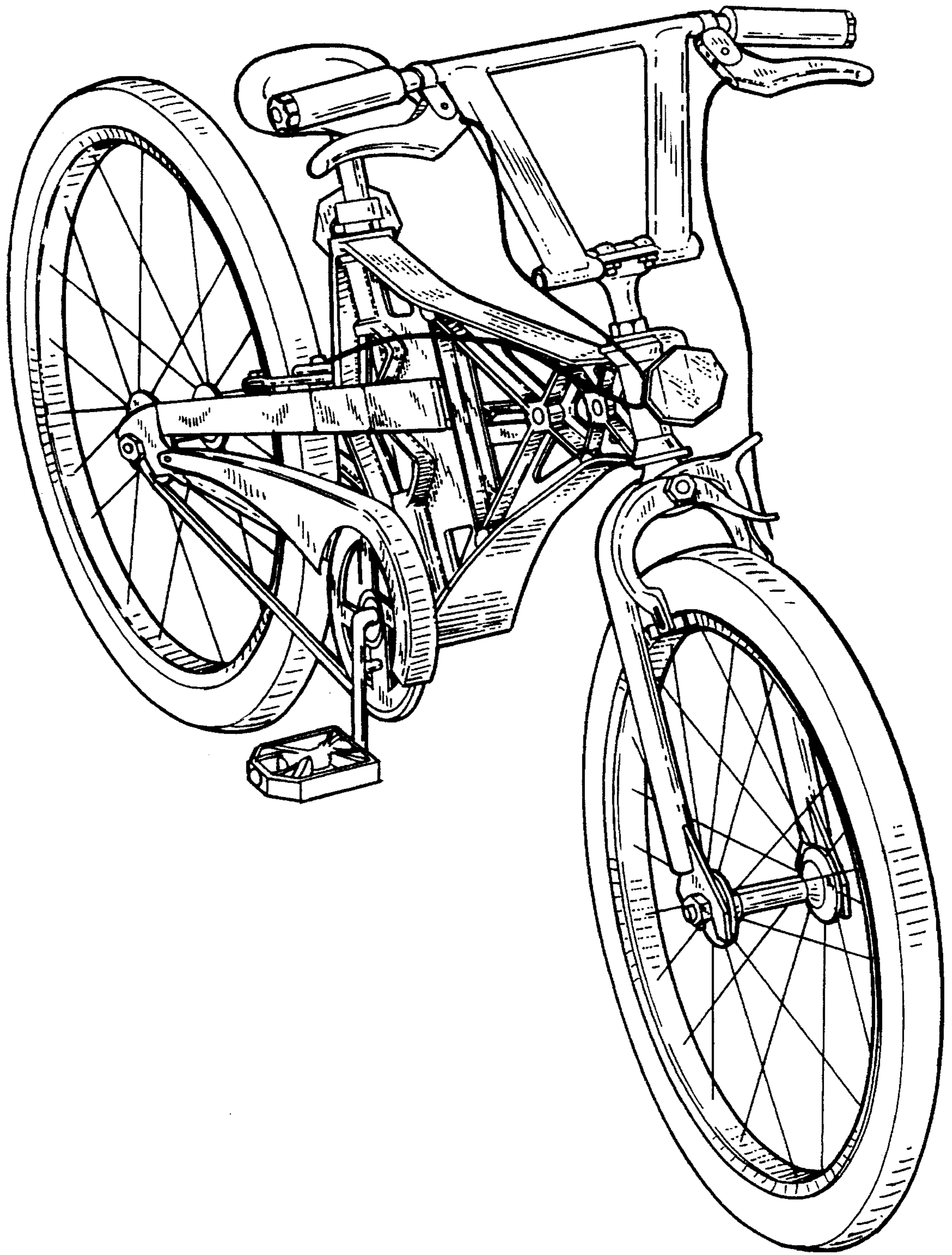


FIG -1



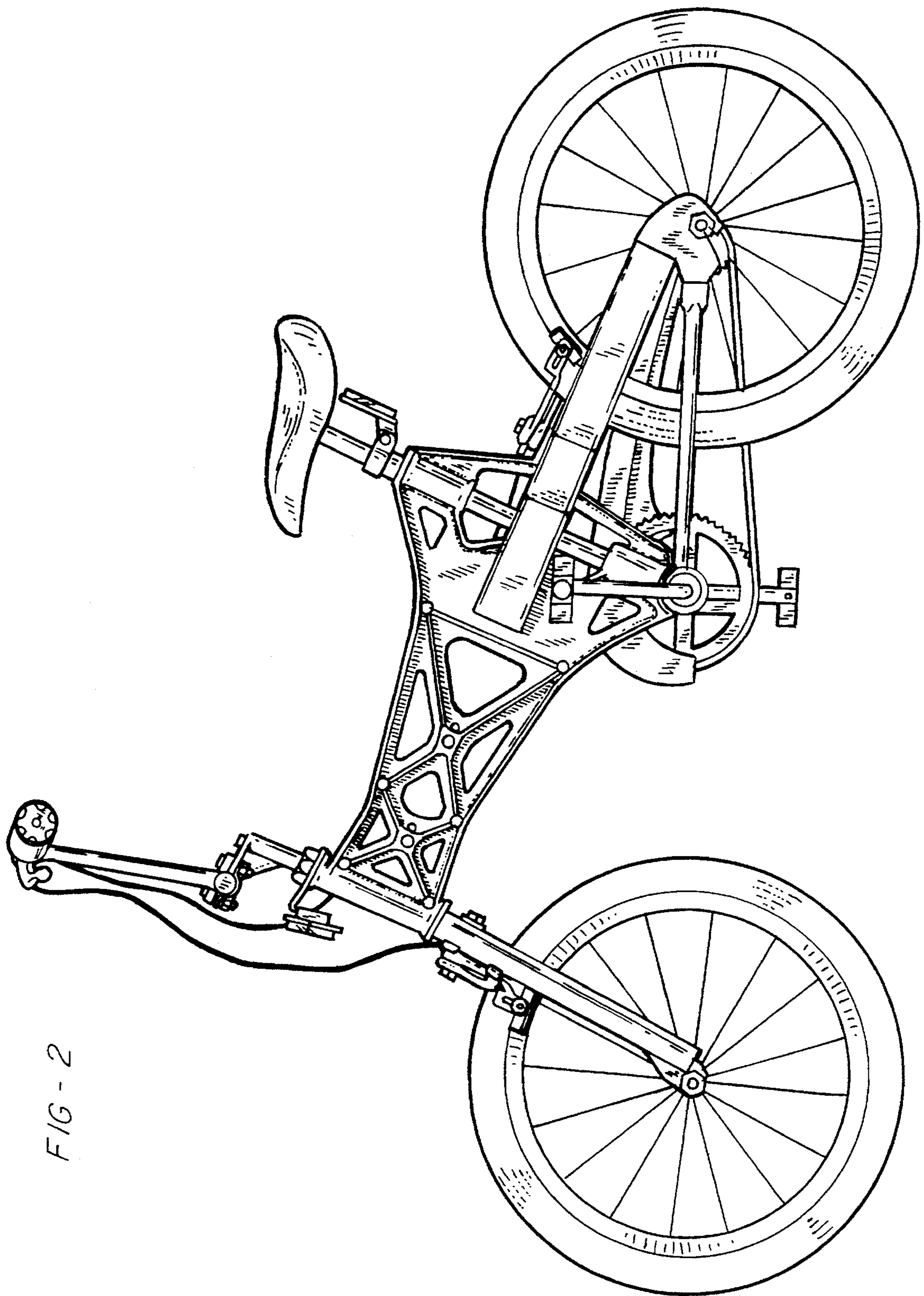


FIG - 2

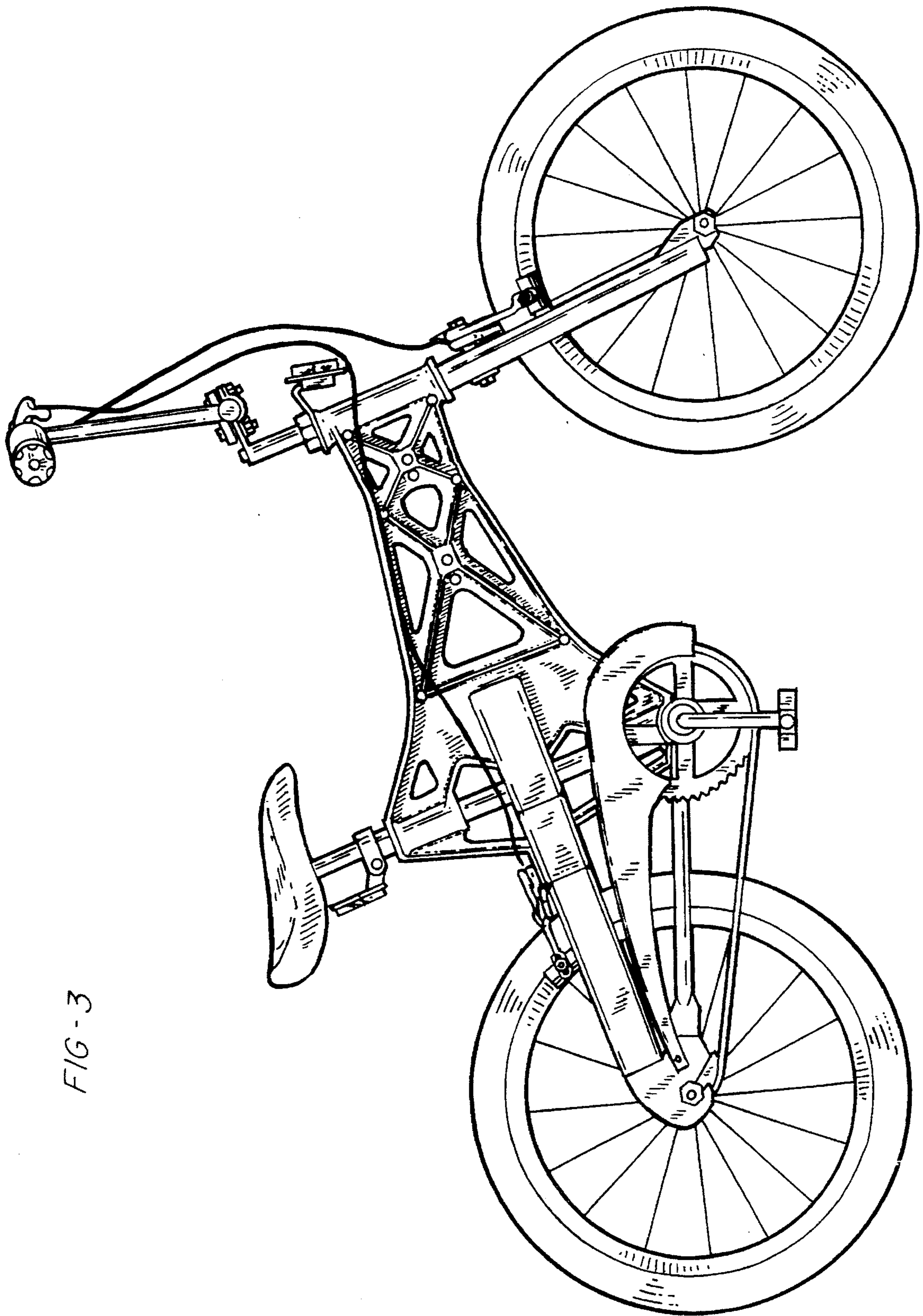


FIG-3

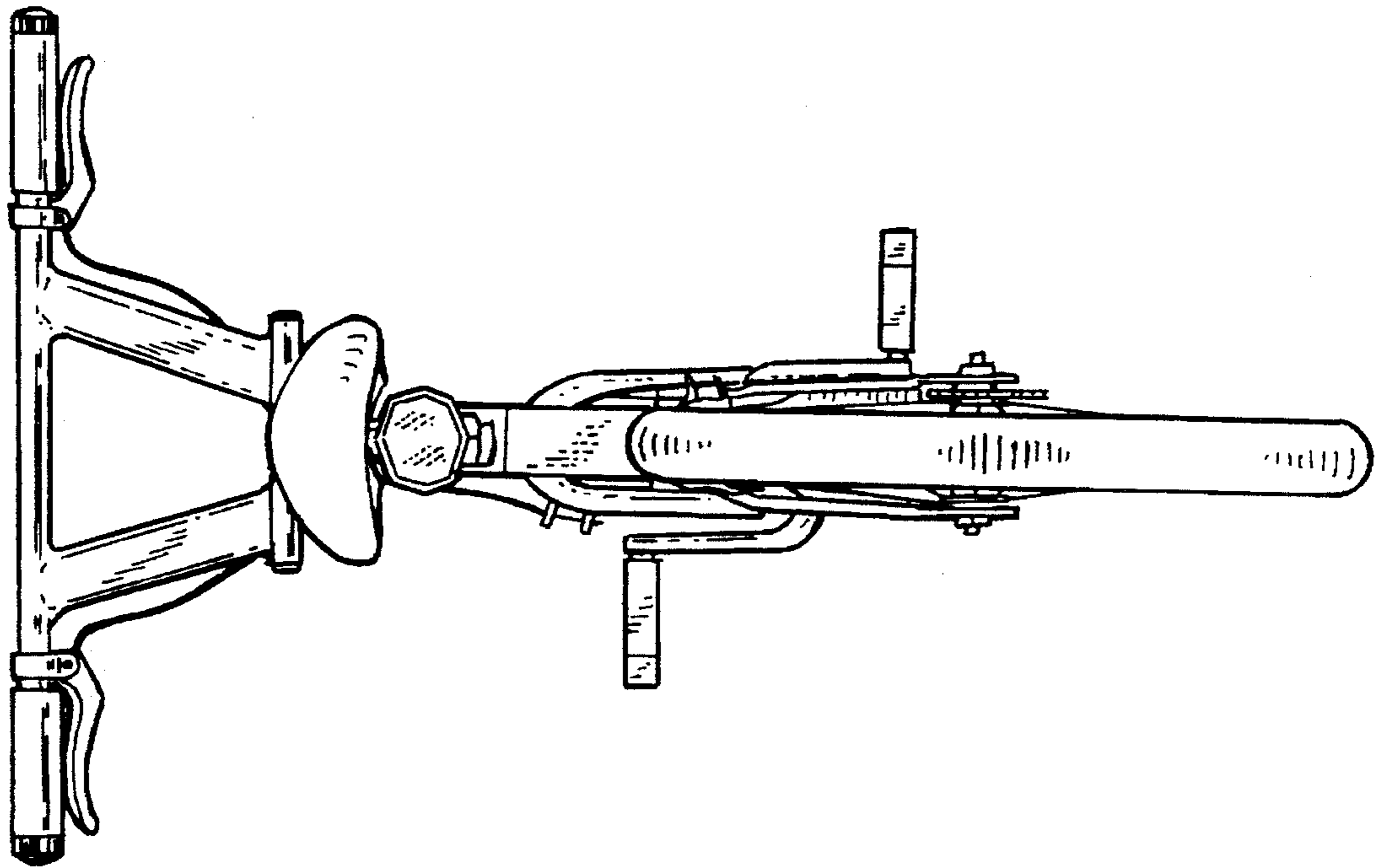


FIG. 5

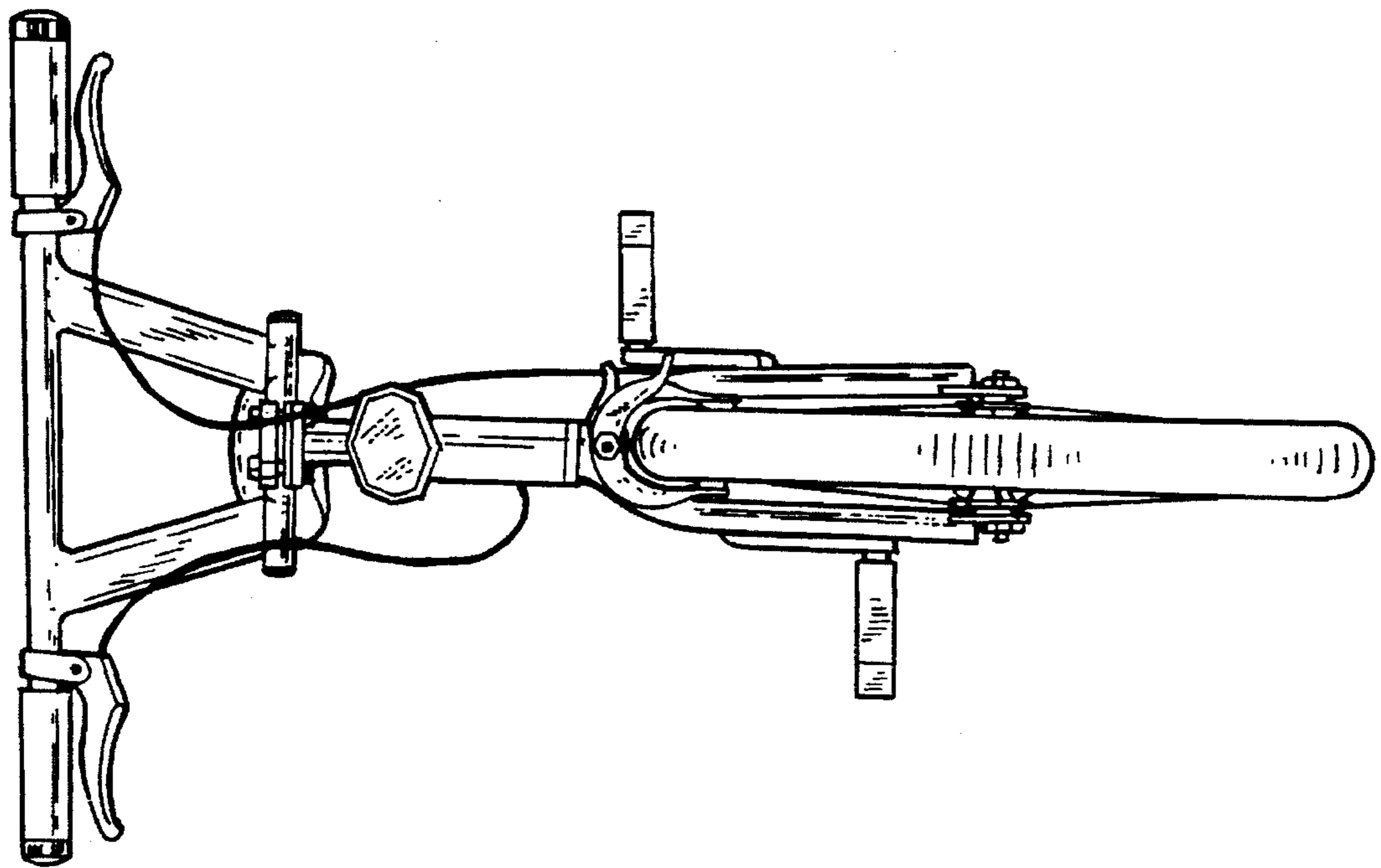


FIG. 4

FIG - 6

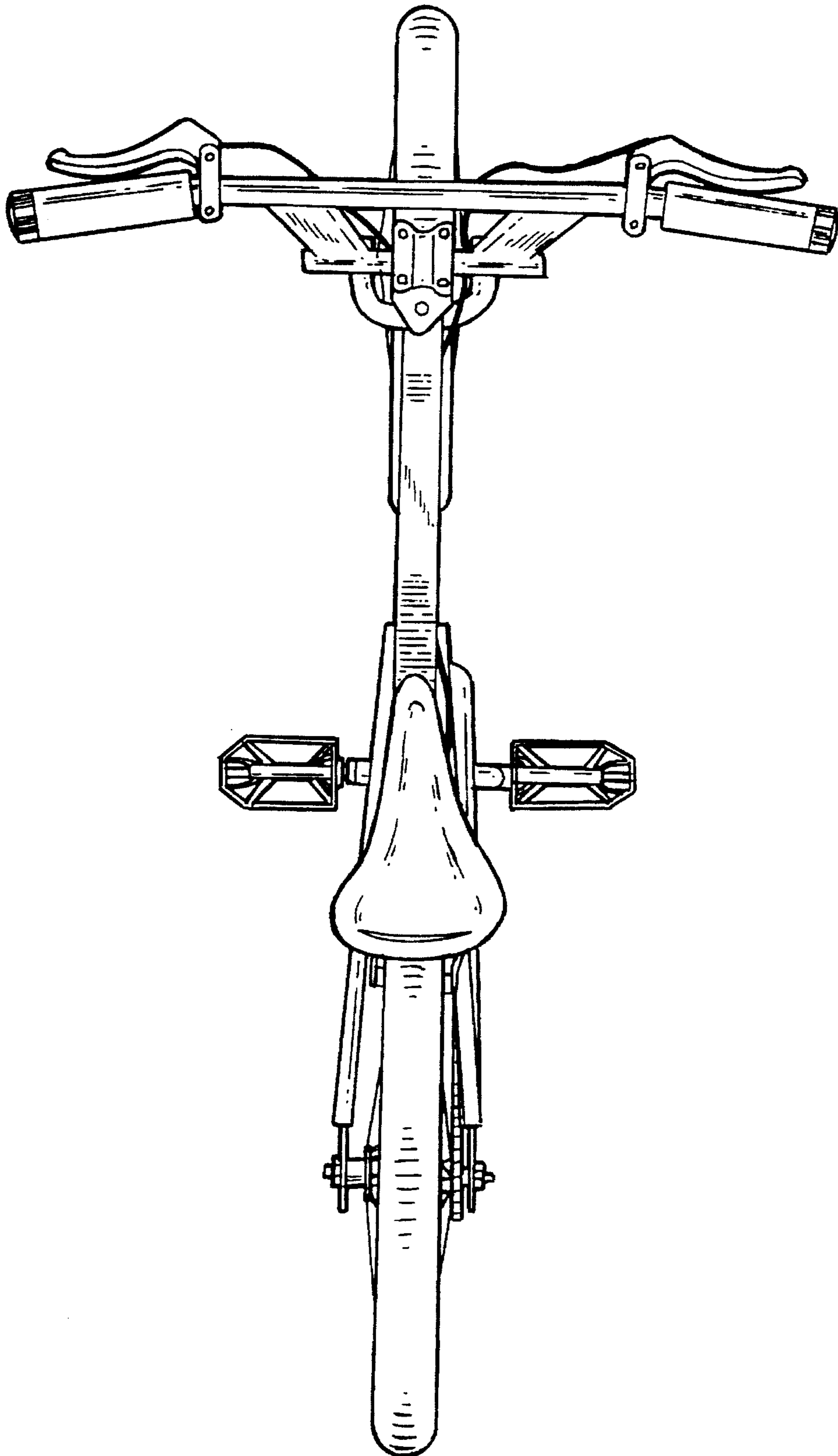


FIG - 7

