



US00D372203S

# United States Patent [19]

Sandell et al.

[11] Patent Number: Des. 372,203

[45] Date of Patent: \*\*Jul. 30, 1996

[54] **MOUNTING PLATE FOR A PASSIVE INFRARED MOTION DETECTOR WITH LIGHT FIXTURE**

[75] Inventors: **Donald R. Sandell**, San Jose; **Wade Lee**, Lafayette, both of Calif.

[73] Assignee: **Larry C. Y. Lee**, Hayward, Calif.

[\*\*] Term: **14 Years**

[21] Appl. No.: **39,761**

[22] Filed: **Jun. 5, 1995**

[52] U.S. Cl. .... **D10/106**; D8/354

[58] **Field of Search** ..... D10/106; D26/51, D26/138, 140; 248/183; 340/521, 540-541, 543-544, 546, 555-557, 565; D8/354, 373

[56] **References Cited**

**U.S. PATENT DOCUMENTS**

D. 204,483	4/1966	Brinkhoff	.....	D26/140
D. 304,019	10/1989	Carsello	.....	D10/106
D. 359,008	6/1995	Sandell et al.	.....	D10/106

**OTHER PUBLICATIONS**

"Regent Motion Activated," p. 1-10 Product promotional literature, Regent Lighting Corporation, prior to May 13, 1994.

"First Alert Home Safety Products," Motion Sensors section, no page numbers Product promotional literature, first Alert, prior to May 13, 1994.

"first Alert Home and Office Lighting Controls, Motion Sensors," no page numbers Product promotional literature, first Alert, prior to May 13, 1994.

"Products for Home Security, Home Safety, Home Convenience," no page numbers Product promotional literature, Tahoe Products, Inc., prior to May 13, 1994.

"Infrared Motion Detector Models 1290 & 1291," no page numbers Product promotional literature, Woods Wire Products, Inc., 1988.

"Gotcha! The Motion Activated Lighting System," Product flier, no page numbers Gotcha! by Lightforce, prior to May 13, 1994.

"Nite-Secure Motion Sensor Light Control," no page numbers Product promotional literature, Galaxy Electrical Mfg., Inc., 1992.

"Night Patrol Security Light," Product flier, no page numbers Orient Resources, Inc., prior to May 13, 1994.

*Primary Examiner*—Holly H. Baynham  
*Attorney, Agent, or Firm*—Elliot B. Aronson

[57] **CLAIM**

The ornamental design for a mounting plate for a passive infrared motion detector with light fixture, as shown and described.

**DESCRIPTION**

FIG. 1 is a perspective view of a first embodiment of a mounting plate for a passive infrared motion detector with light fixture showing our new design, with the broken line showing of light fixtures being illustrative purposes only and forming no part of the claimed design;

FIG. 2 is an enlarged front elevational view thereof; the rear view is unornamented, contains no elements of the claimed design, and is not normally seen in ordinary use;

FIG. 3 is a right elevational view thereof; the left elevational view is a mirror image;

FIG. 4 is a bottom plan view thereof;

FIG. 5 is a top plan view thereof;

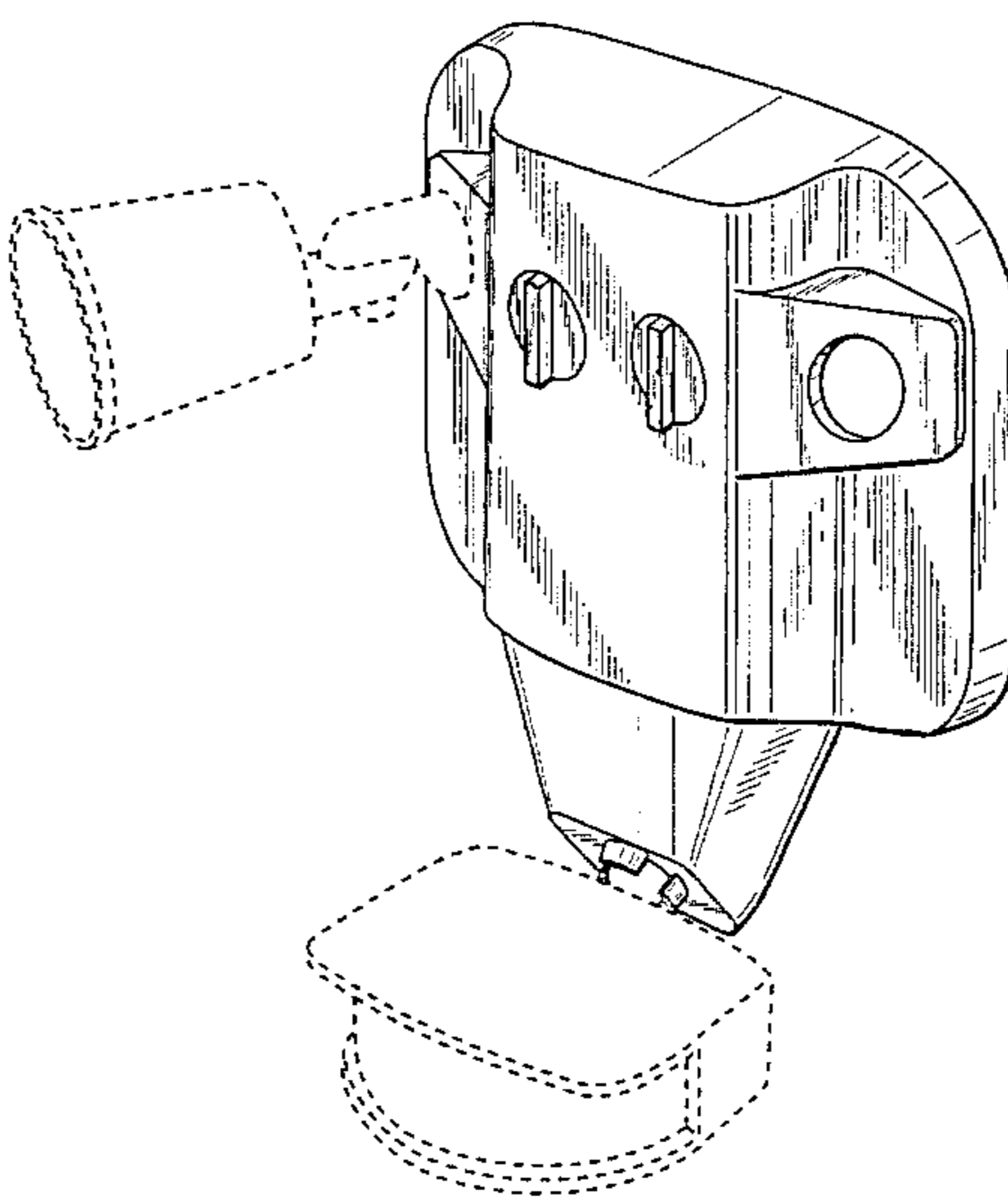
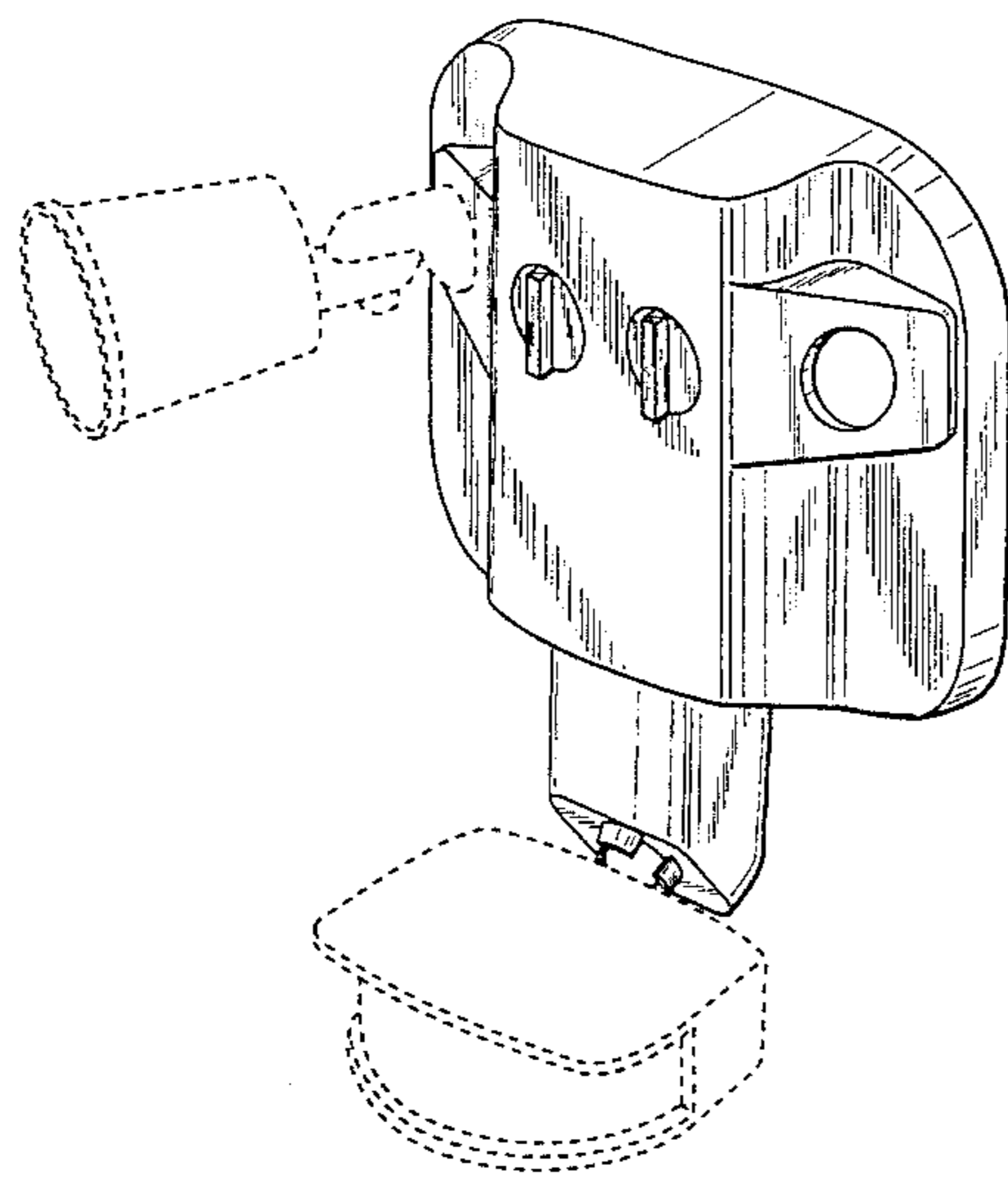
FIG. 6 is a perspective view of a second embodiment of a mounting plate for a passive infrared motion detector with light fixture showing our new design, with the broken line showing of light fixtures being for illustrative purposes only and forming no part of the claimed design;

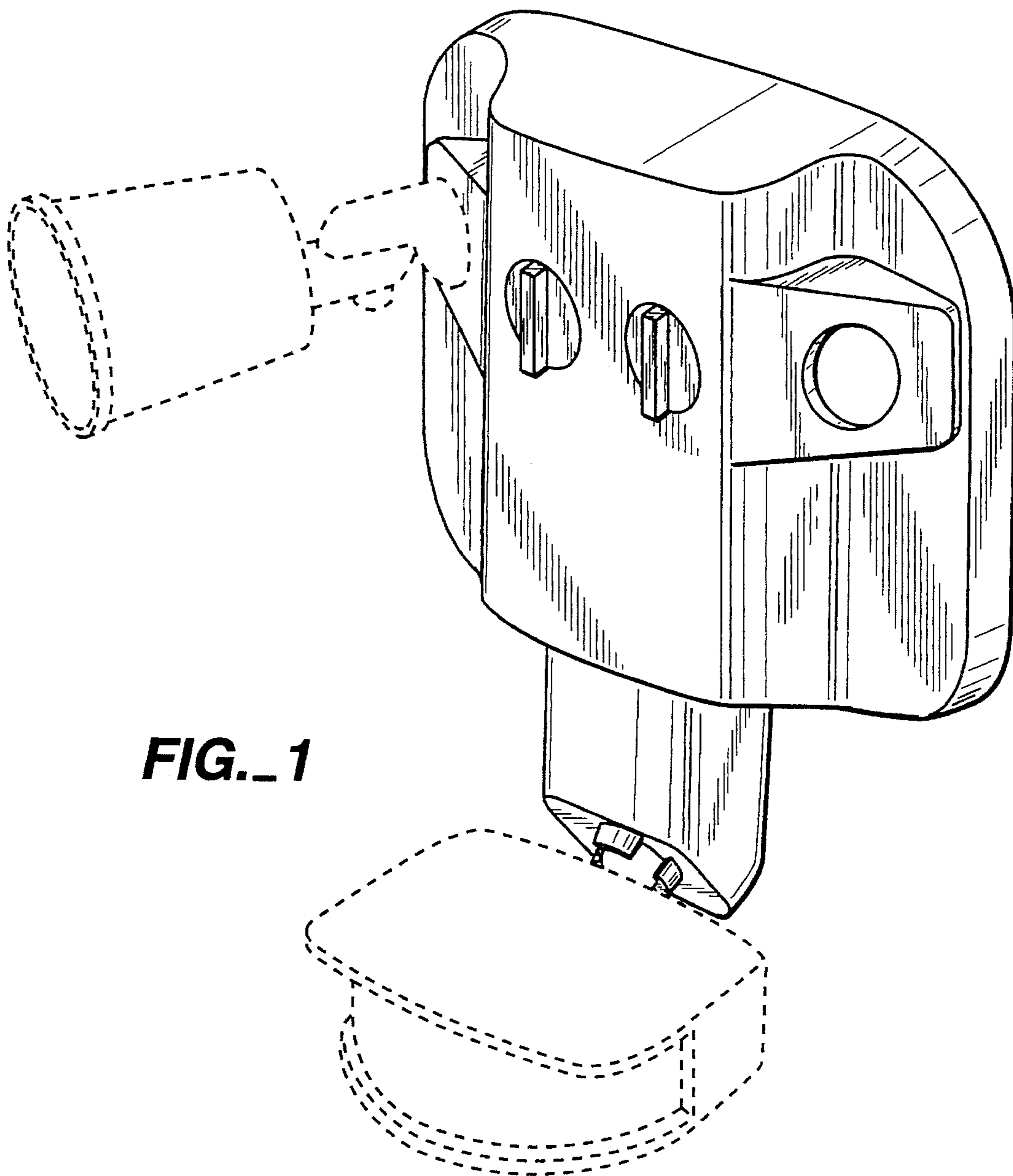
FIG. 7 is an enlarged front elevational view of the embodiment of FIG. 6; the rear view is unornamented, contains no elements of the claimed design, and is not normally seen in ordinary use;

FIG. 8 is a right elevational view of the embodiment of FIG. 6; the left elevational view is a mirror image; and,

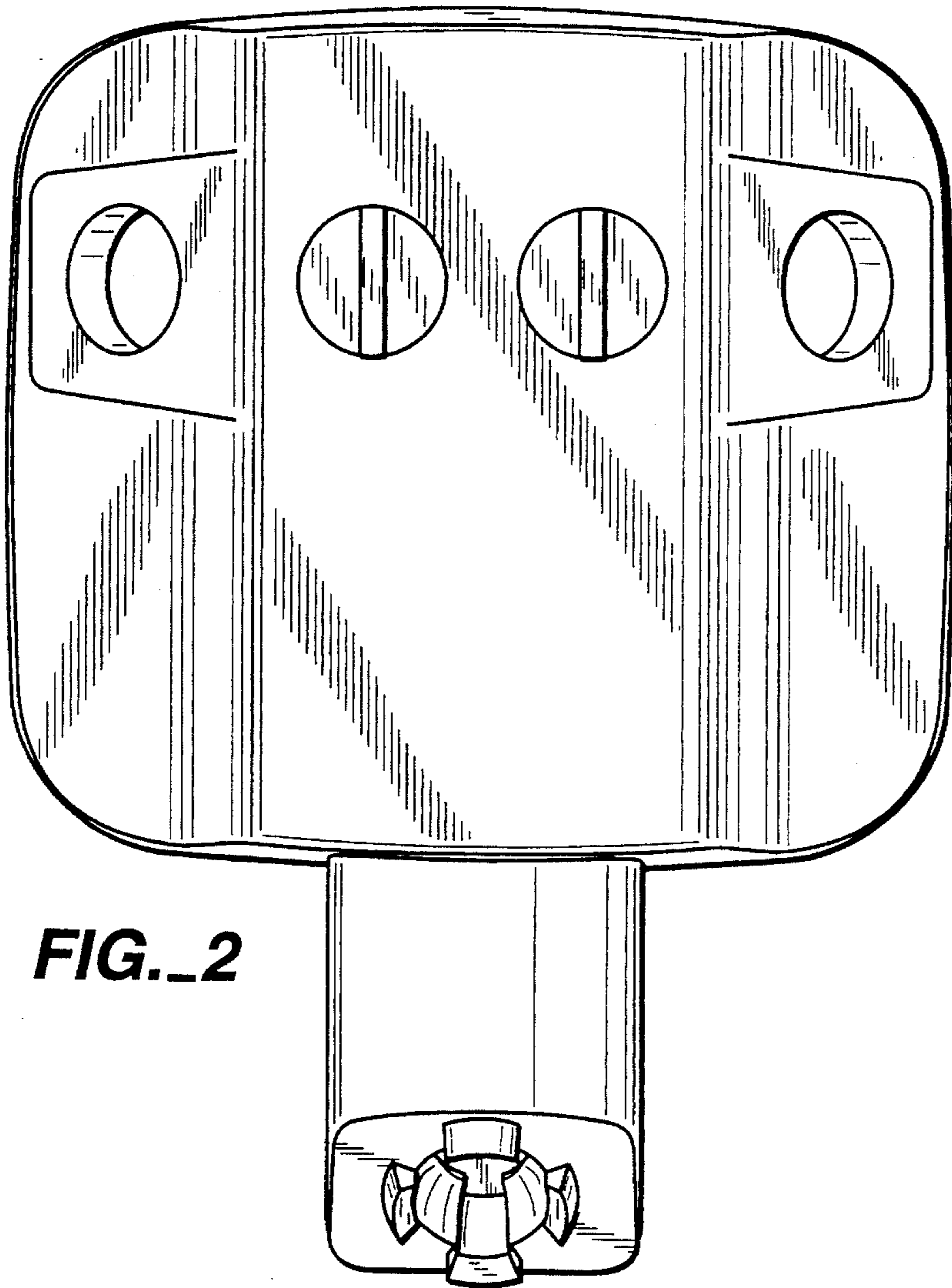
FIG. 9 is a bottom plan view of the embodiment of FIG. 6; the top plan view is identical to the top plan view of FIG. 5.

**1 Claim, 4 Drawing Sheets**

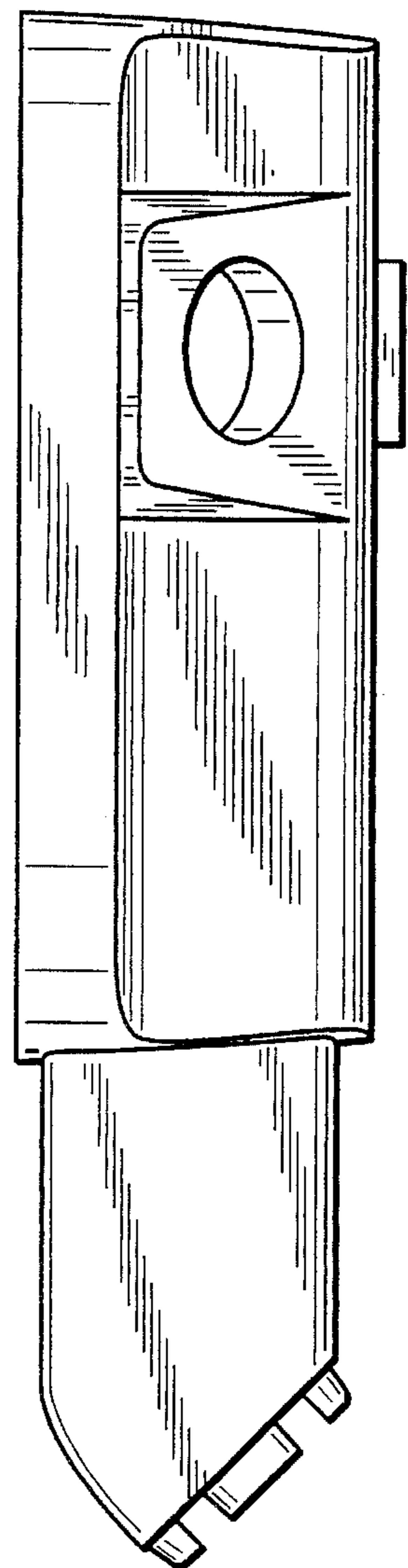




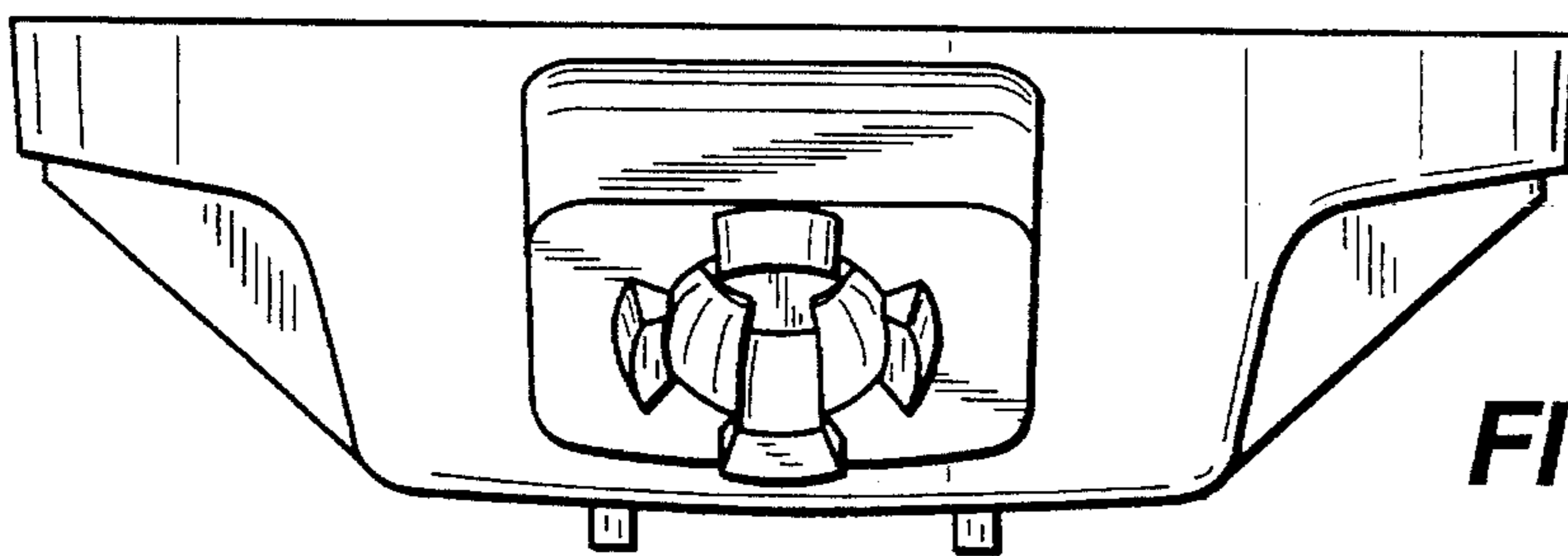
**FIG. 1**



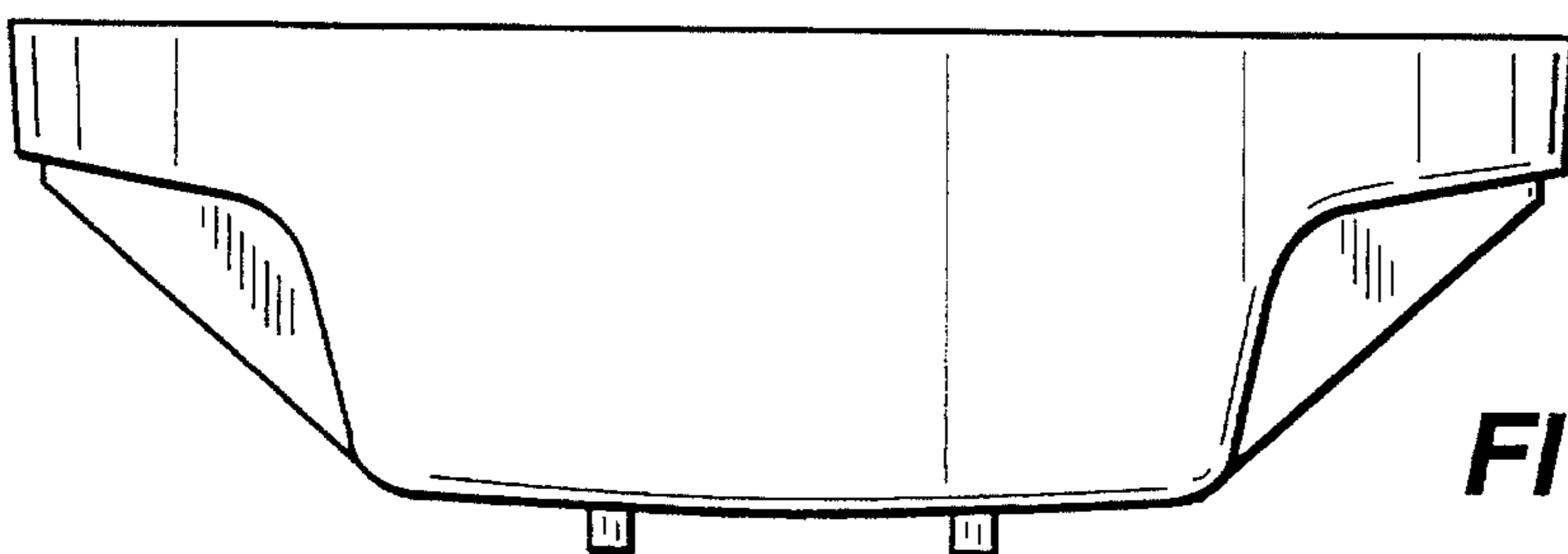
**FIG.\_2**



**FIG.\_3**

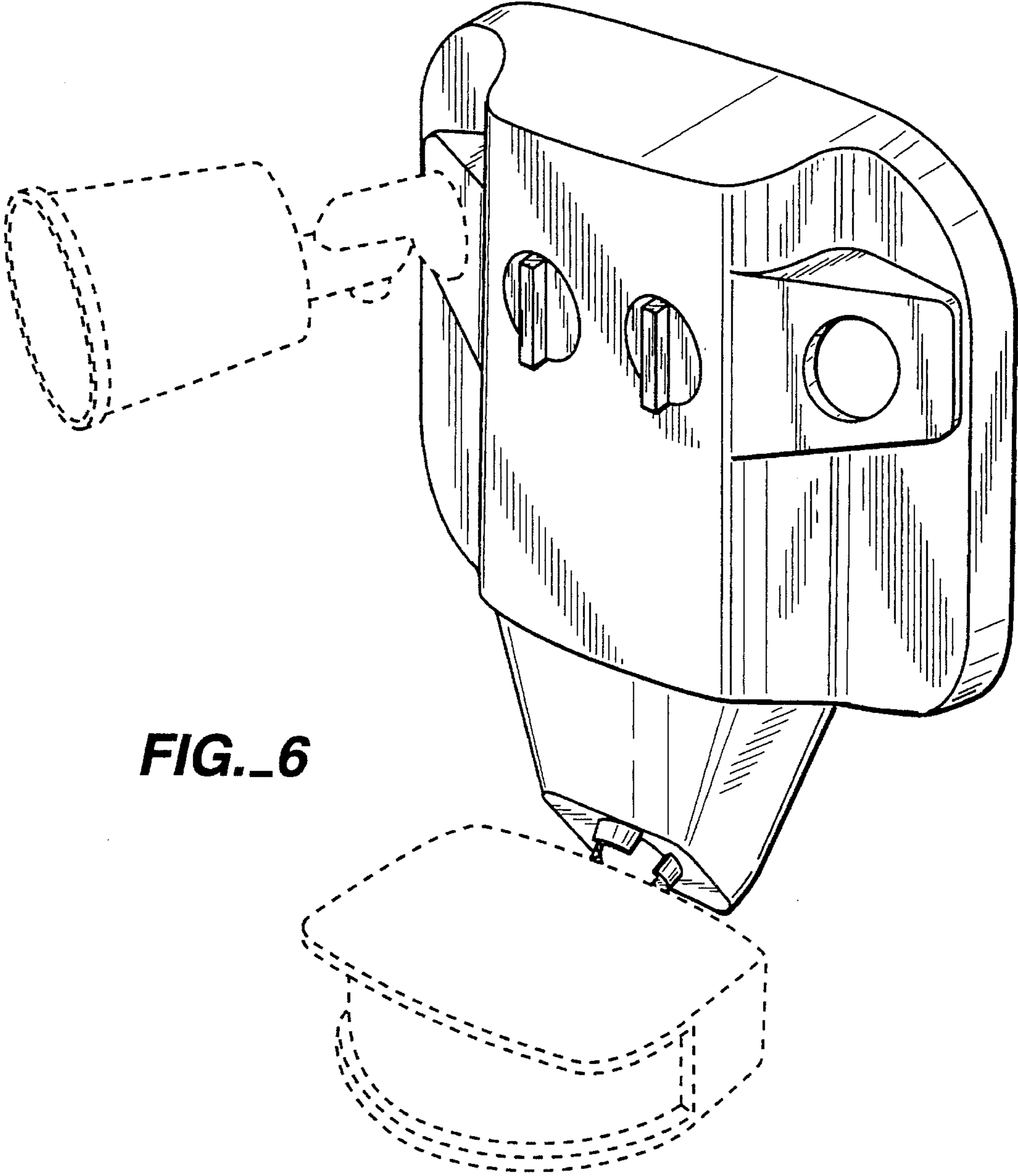


**FIG.\_4**

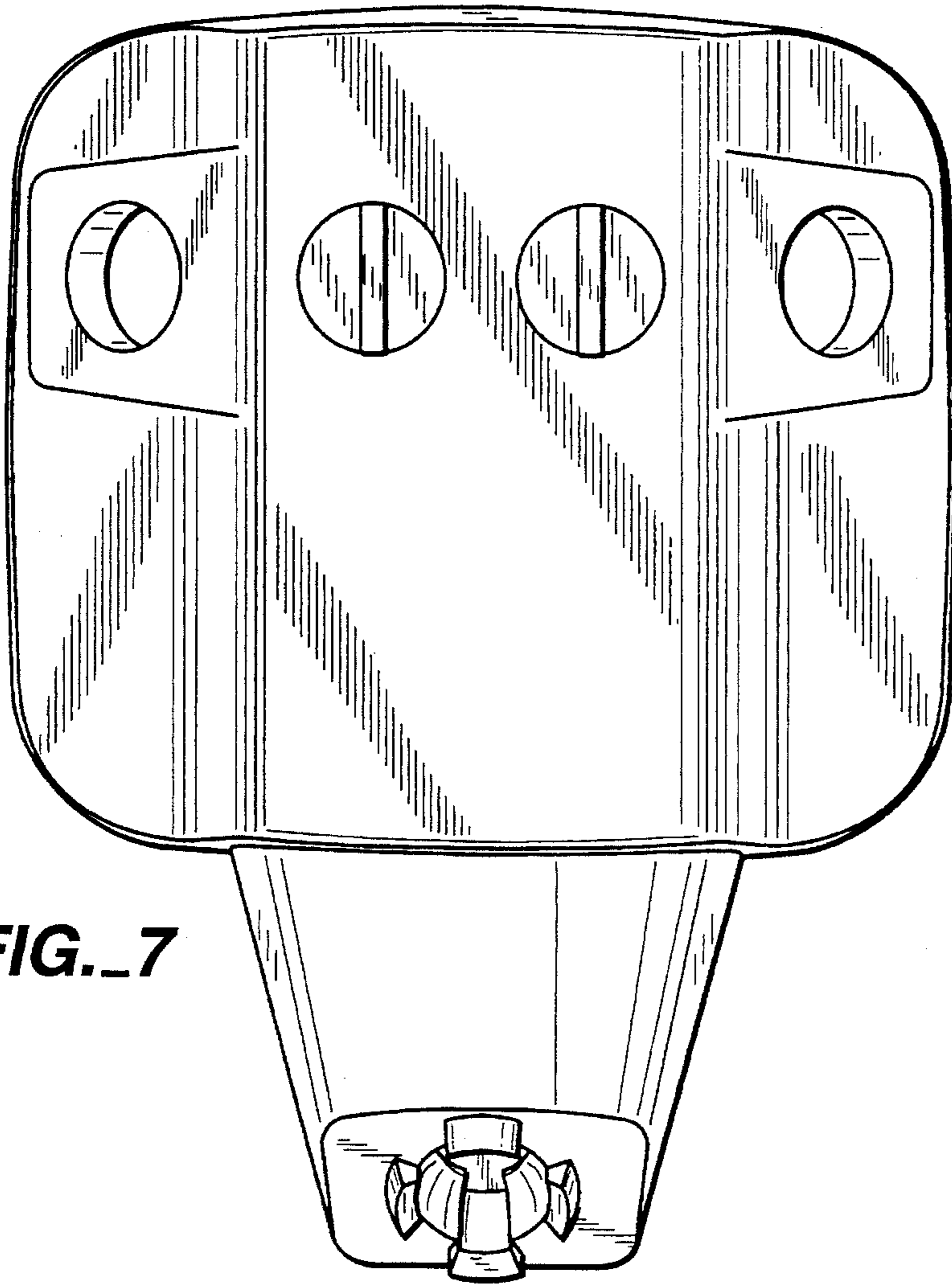


**FIG.\_5**

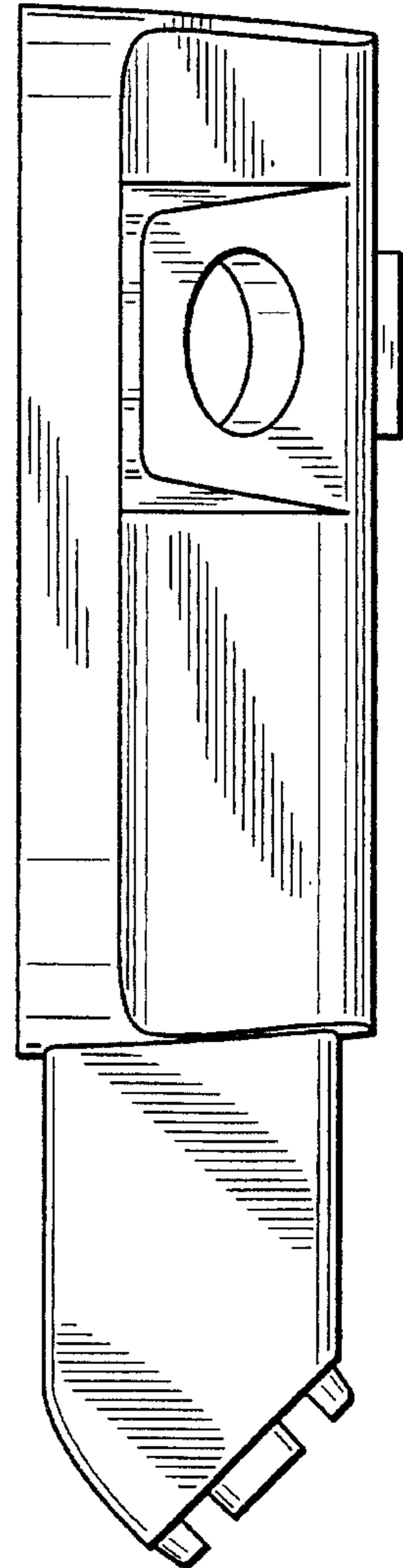




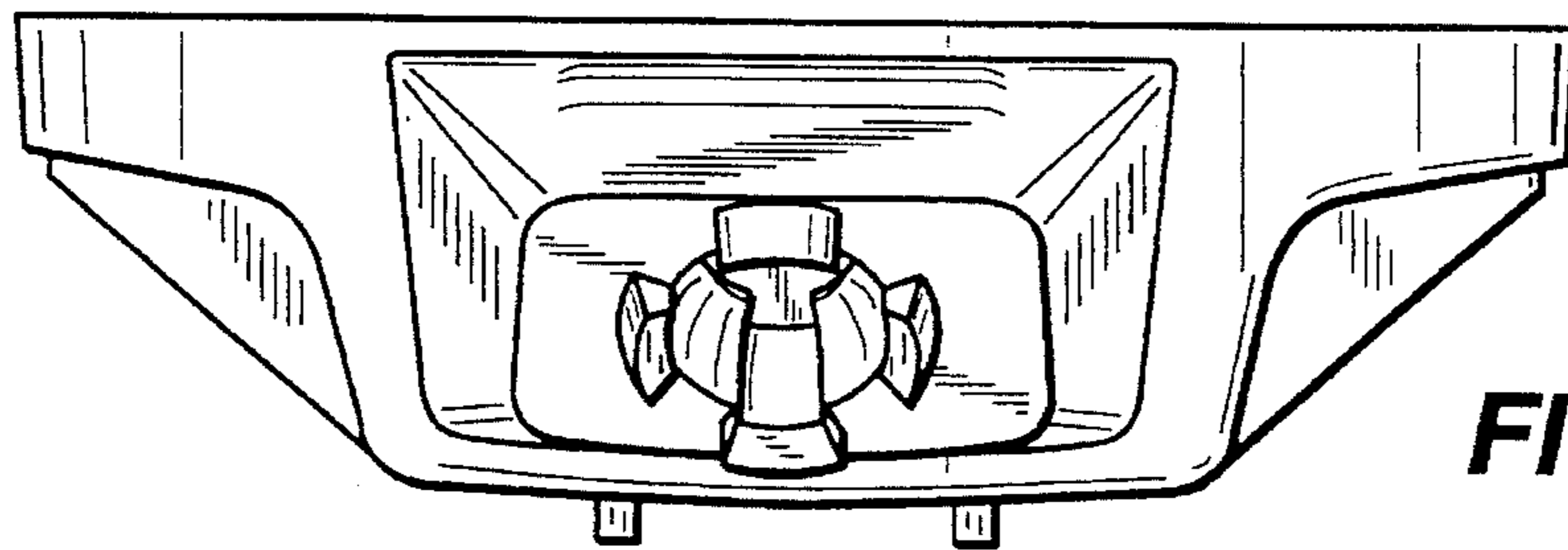
**FIG. 6**



**FIG.\_7**



**FIG.\_8**



**FIG.\_9**