



US00D372202S

United States Patent [19]
Yudovin

[11] **Patent Number: Des. 372,202**

[45] **Date of Patent: **Jul. 30, 1996**

[54] **GOLF CLUB WRIST WATCH**

[76] Inventor: **Sanford S. Yudovin**, 1770 Stuart St.,
Cambria, Calif. 93428

[**] Term: **14 Years**

[21] Appl. No.: **40,680**

[22] Filed: **Jun. 23, 1995**

[52] U.S. Cl. **D10/33**

[58] Field of Search D10/1-40, 122-132;
368/280-282, 276-277, 285

[56] **References Cited**

U.S. PATENT DOCUMENTS

D. 297,313	8/1988	Claude	D10/33
D. 324,498	3/1992	Wang	D10/33 X
D. 361,525	8/1995	Yudovin	D10/33
D. 364,099	11/1995	Bergeron	D10/33

Primary Examiner—Nelson C. Holtje
Attorney, Agent, or Firm—Jack C. Munro

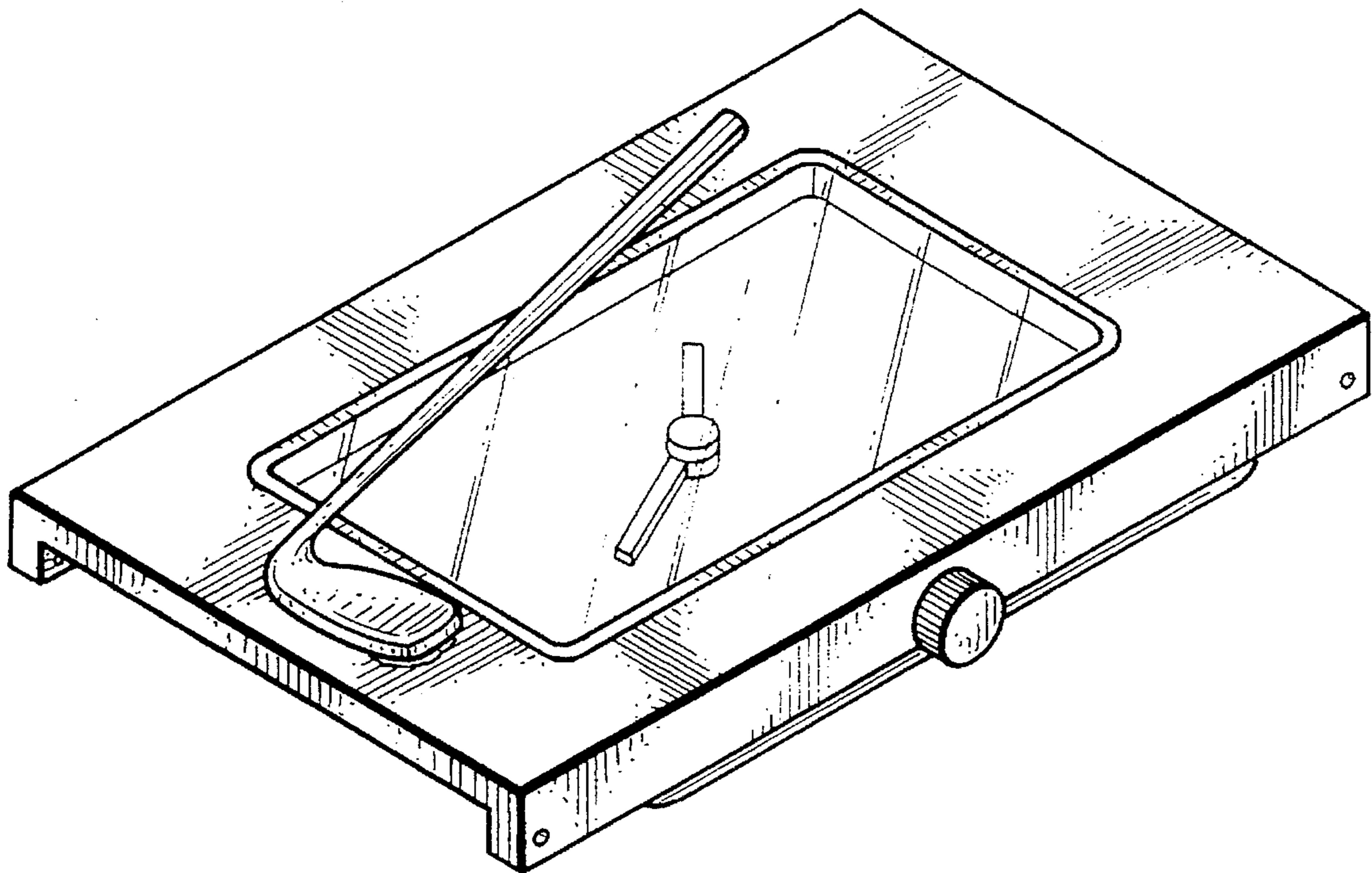
[57] **CLAIM**

The ornamental design for a golf club wrist watch, as shown and described.

DESCRIPTION

FIG. 1 is a front isometric view of the golf club wrist watch, showing my new design;
FIG. 2 is a front elevational view thereof;
FIG. 3 is a right side elevational view thereof;
FIG. 4 is a left side elevational view thereof;
FIG. 5 is a rear elevational view thereof;
FIG. 6 is a top plan view thereof; and,
FIG. 7 is a bottom plan view thereof.

1 Claim, 1 Drawing Sheet



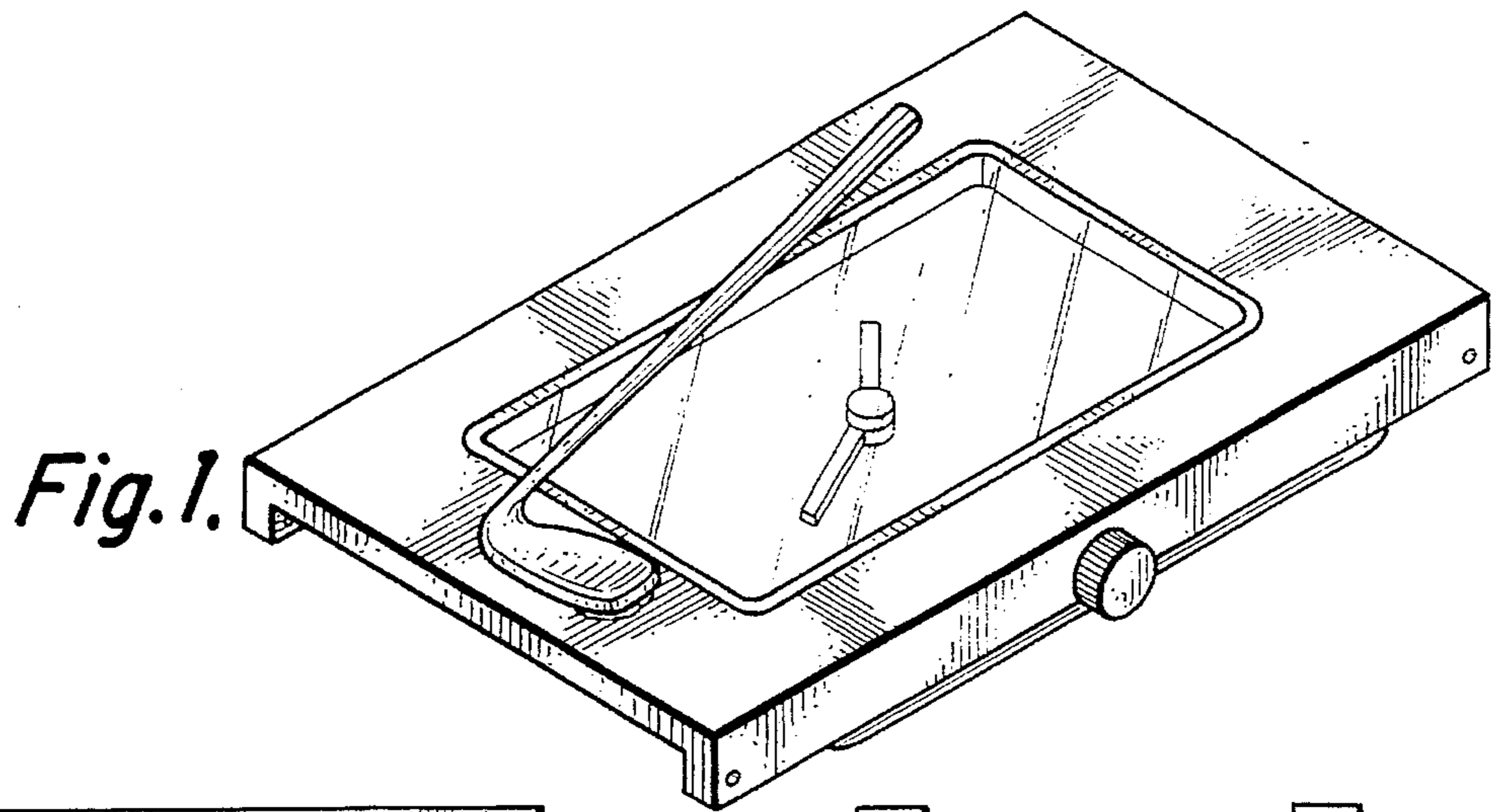


Fig. 1.

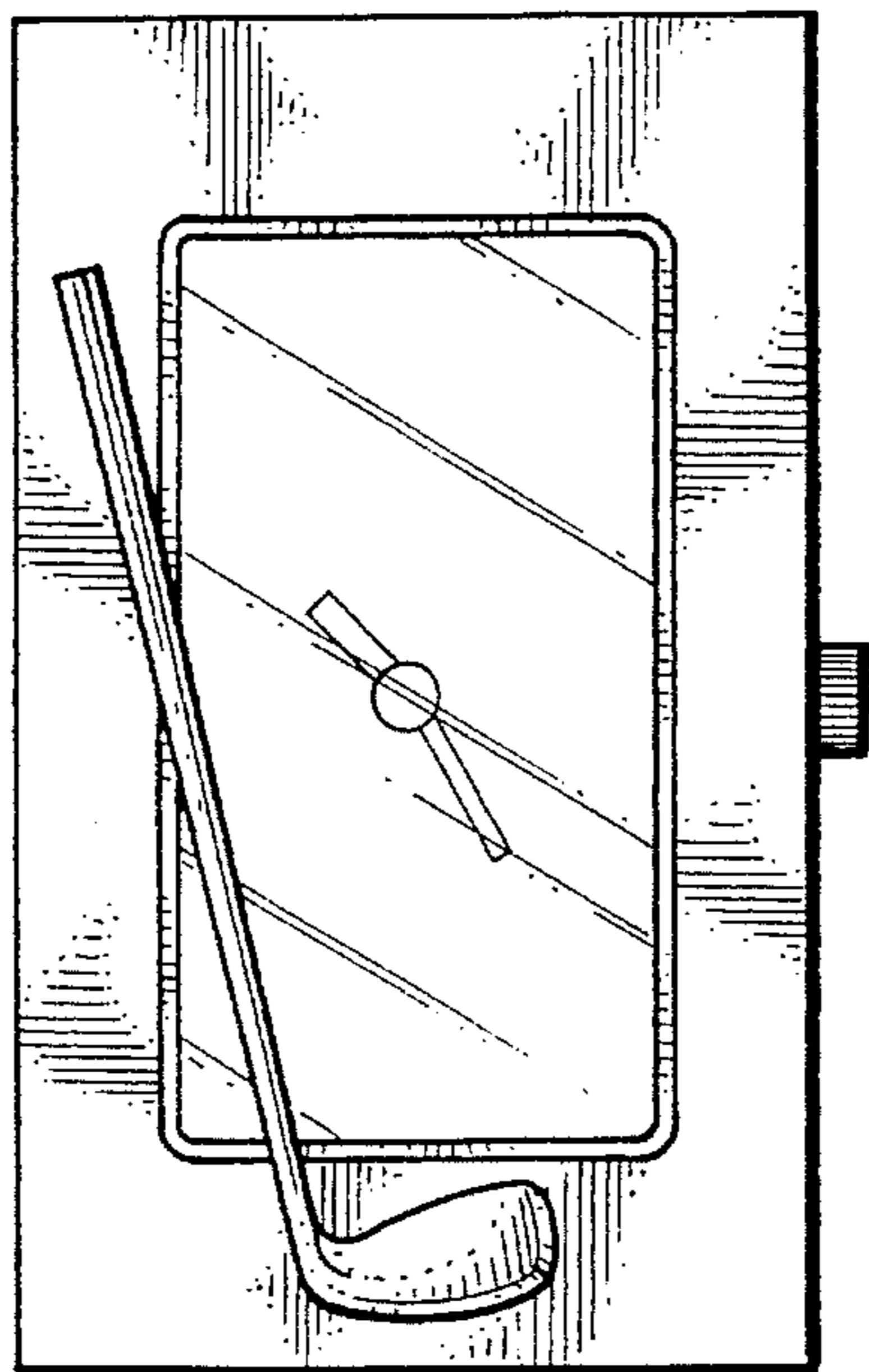


Fig. 2.



Fig. 3.

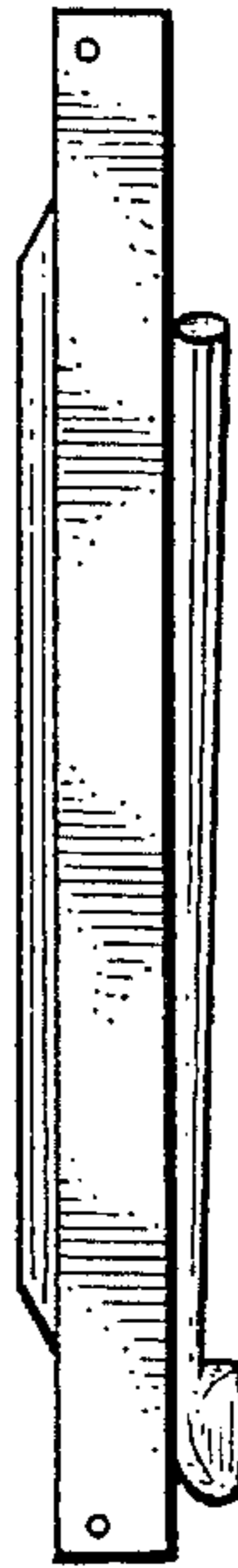


Fig. 4.

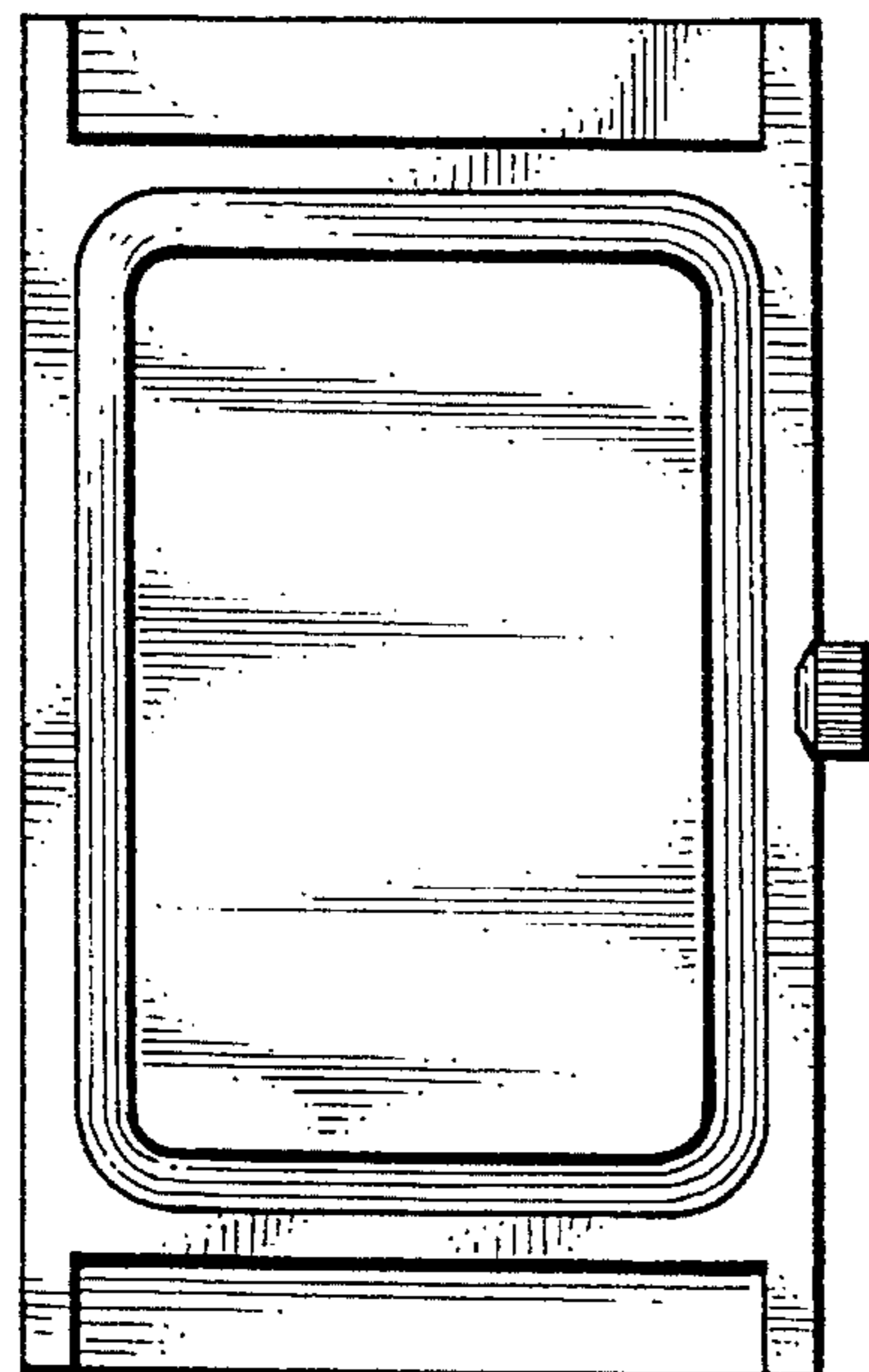


Fig. 5.



Fig. 6.



Fig. 7.