



US00D372193S

United States Patent [19]
Lee

[11] **Patent Number: Des. 372,193**

[45] **Date of Patent: **Jul. 30, 1996**

[54] **PACKAGING FOR CABLES**

4,285,157 8/1981 Lambert 206/579 X
4,469,226 9/1984 Matney 206/470

[75] Inventor: **Noel Lee**, Daly City, Calif.

Primary Examiner—Prabhakar G. Deshmukh
Attorney, Agent, or Firm—Haynes and Boone, L.L.P.; Warren B. Kice

[73] Assignee: **Monster Cable International, Ltd.**,
Bermuda

[**] Term: **14 Years**

[57] **CLAIM**

[21] Appl. No.: **36,673**

The ornamental design for the packaging for cables, as shown and described.

[22] Filed: **Mar. 24, 1995**

DESCRIPTION

[52] **U.S. Cl.** **D9/415; D9/428**

[58] **Field of Search** D9/415, 418, 424,
D9/425, 428, 429, 341; 206/461-471, 45.34,
806, 525

FIG. 1 is a perspective view of the packaging for cables showing my new design;

FIG. 2 is a front elevational view thereof;

FIG. 3 is a side elevational view (taken from the right side) thereof;

FIG. 4 is a rear elevational view;

FIG. 5 is a side elevational view (taken from the left side) thereof;

FIG. 6 is a top plan view thereof;

FIG. 7 is a bottom plan view thereof;

FIG. 8 is a partial sectional view taken along the line 8—8 of FIG. 2; and,

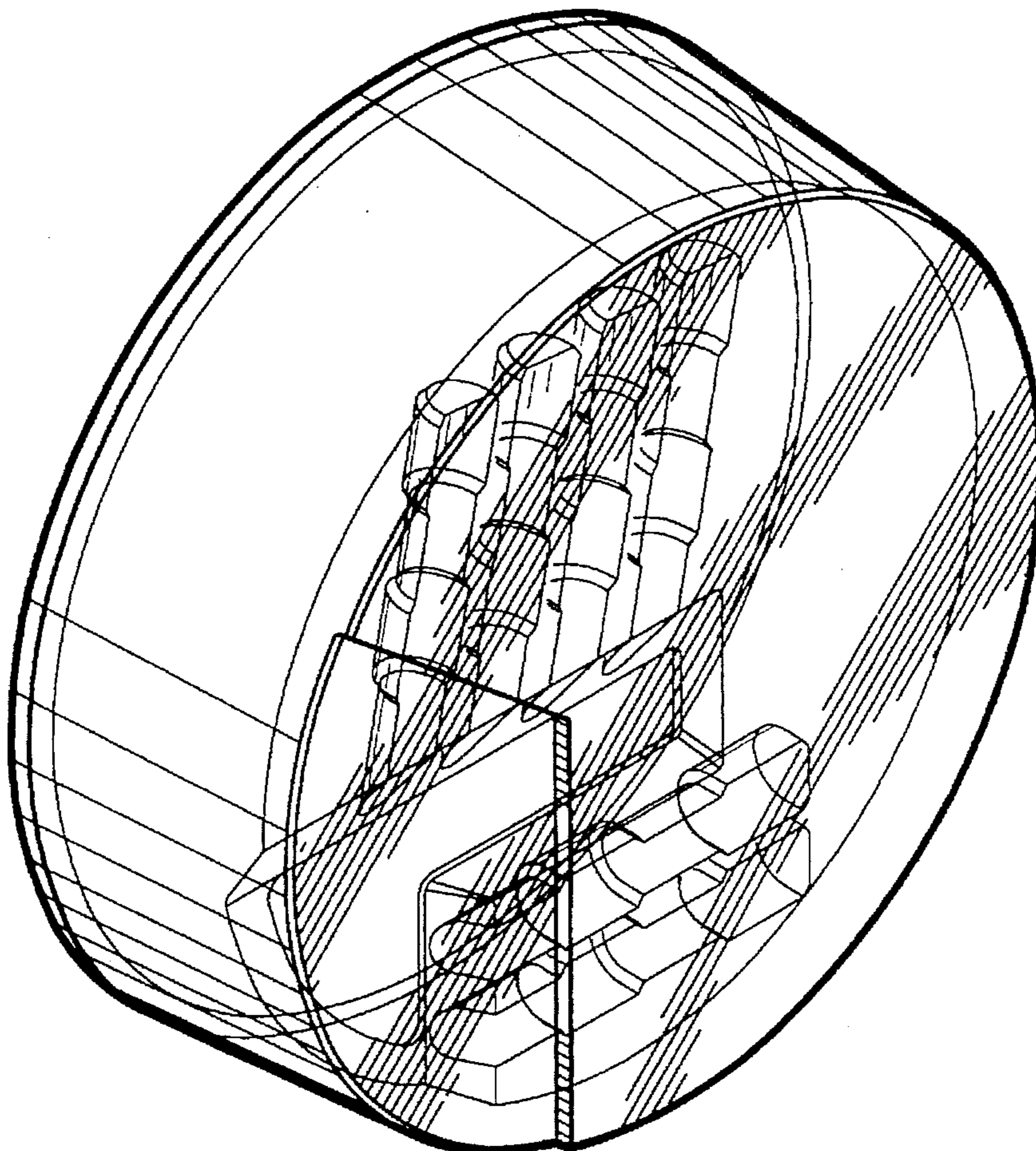
FIG. 9 is a partial sectional view taken along the line 9—9 of FIG. 2;

[56] **References Cited**

U.S. PATENT DOCUMENTS

D. 261,988	11/1981	Nichols et al.	D9/415
D. 306,403	3/1990	Hill	D9/415
D. 306,561	3/1990	Lee	D9/415
D. 328,249	7/1992	Lee	D9/415
D. 332,216	1/1993	Lee et al.	D9/415
D. 332,398	1/1993	Lee et al.	D9/415
D. 334,535	4/1993	Piccione et al.	D9/415
D. 349,457	8/1994	Nottingham et al.	D9/415
3,434,591	3/1969	Hanscom	242/160 X

1 Claim, 2 Drawing Sheets



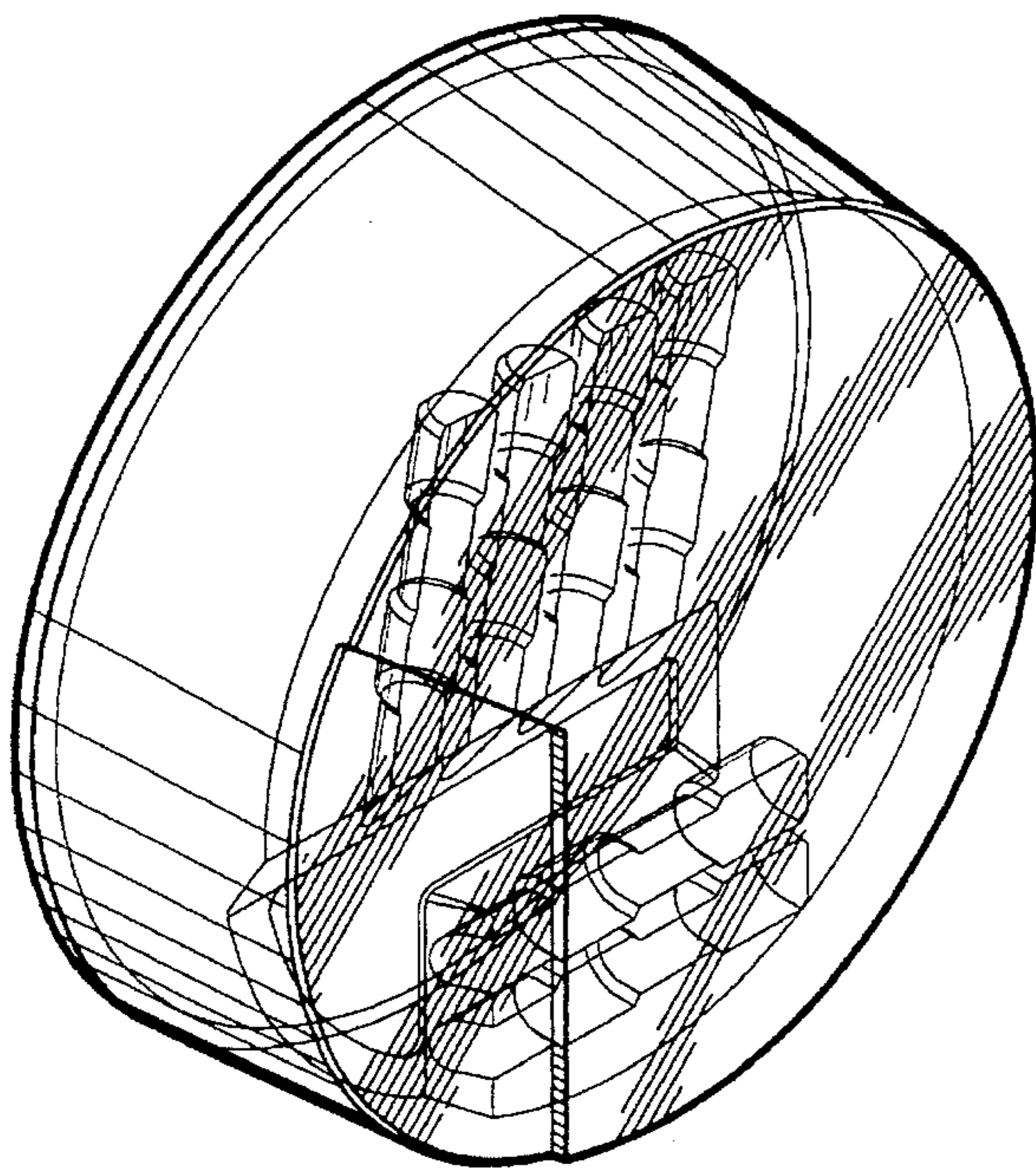


FIG. 1

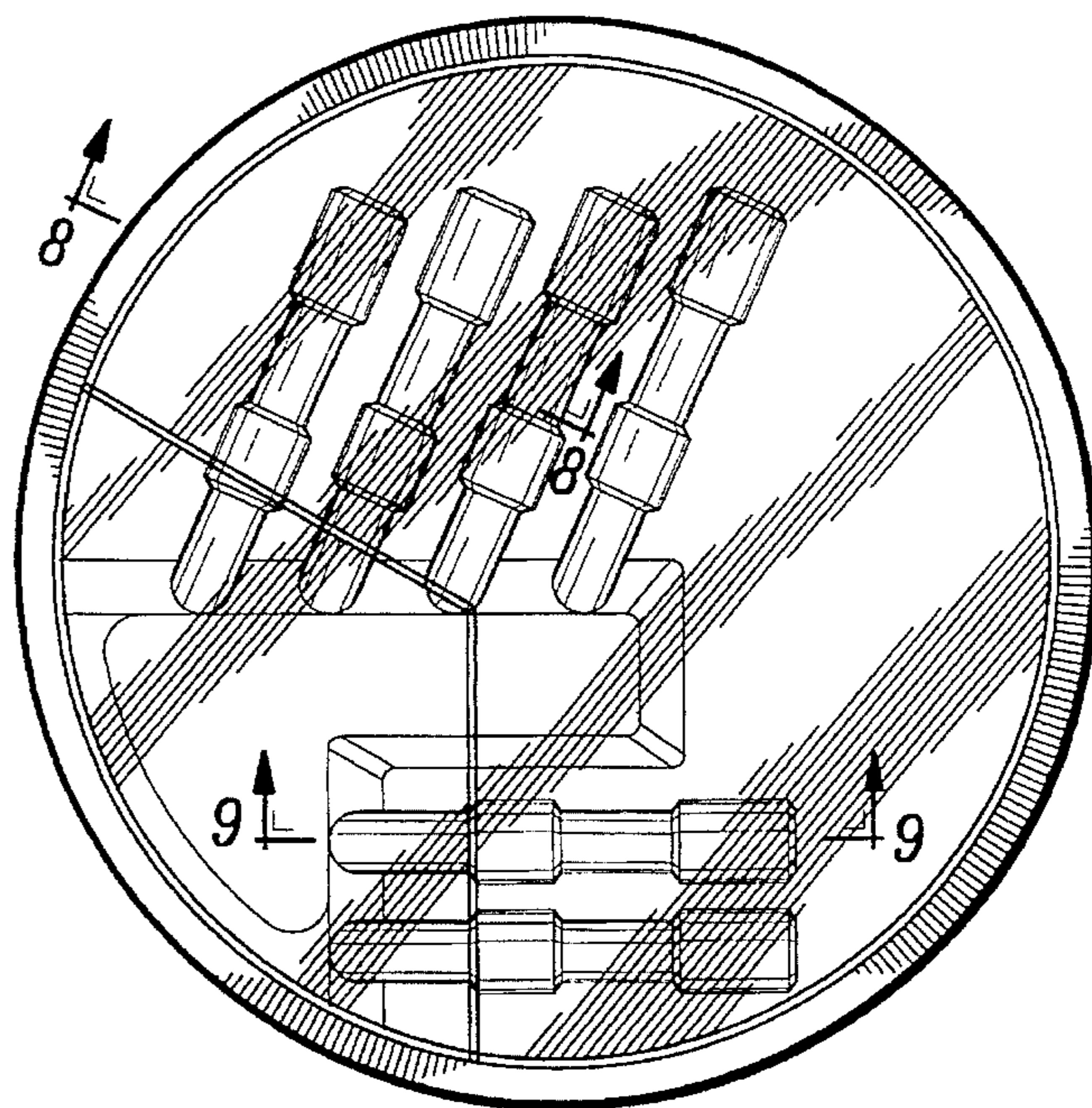


FIG. 2

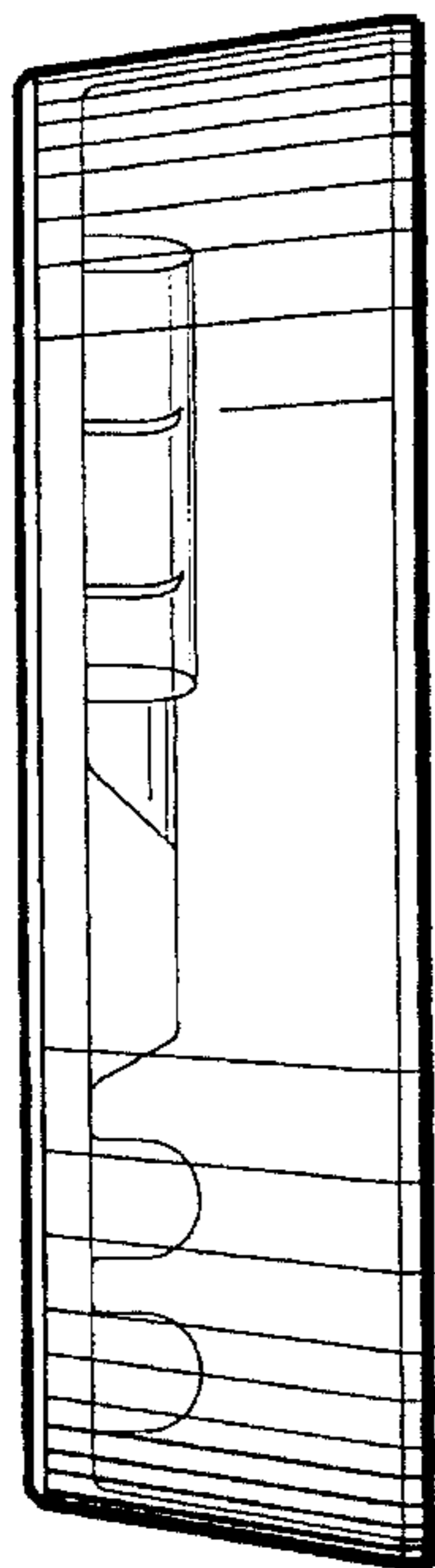


FIG. 3

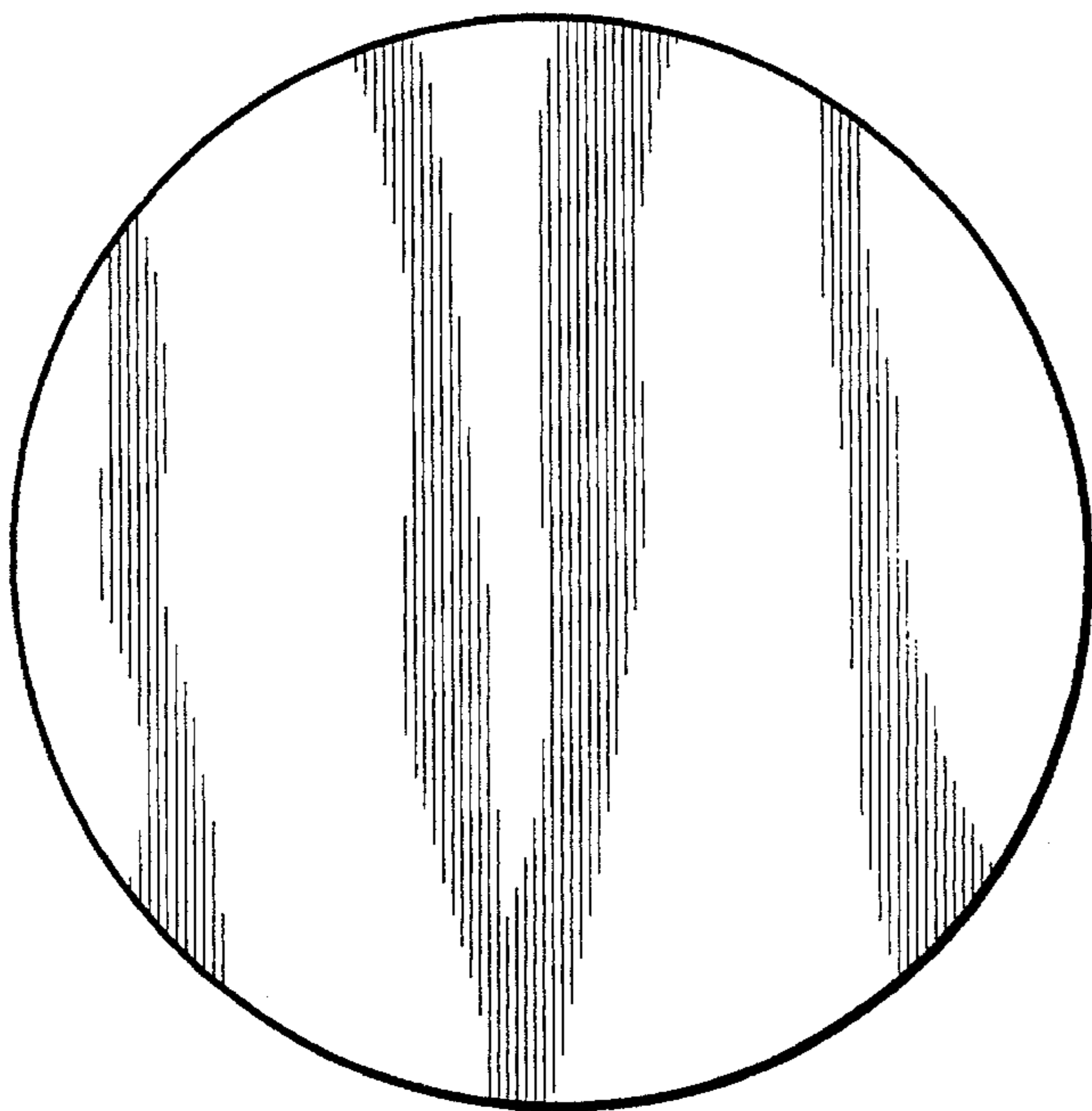


FIG. 4

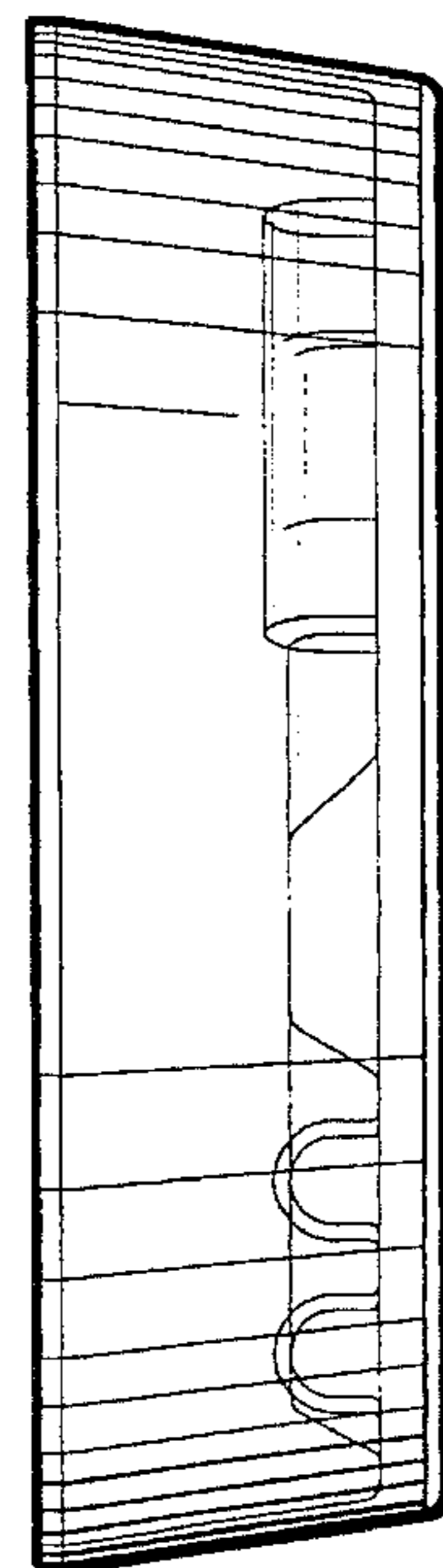


FIG. 5

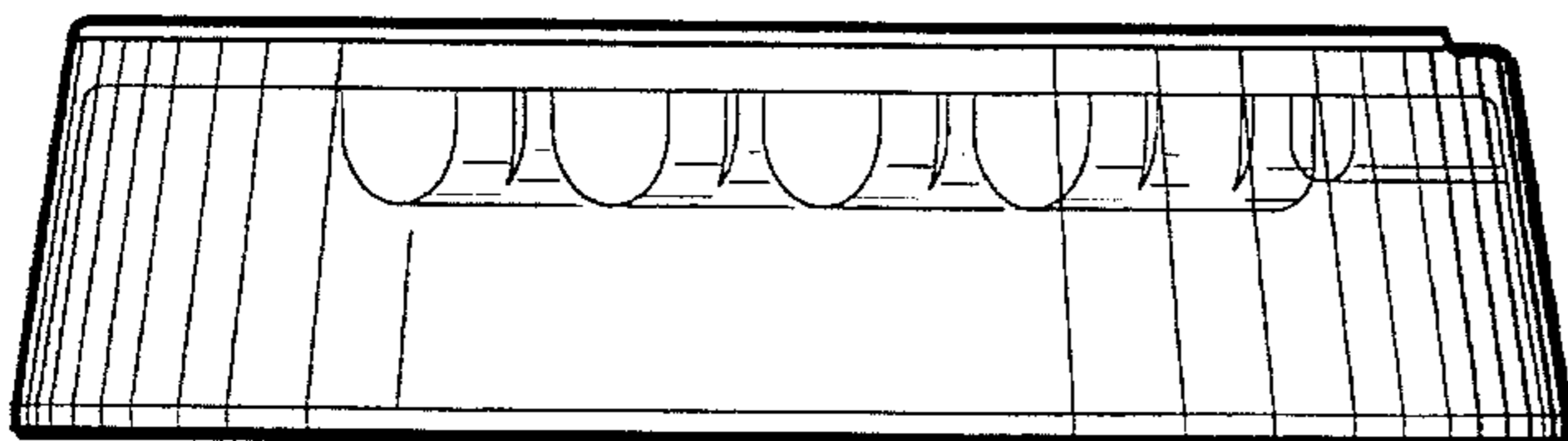


FIG. 6

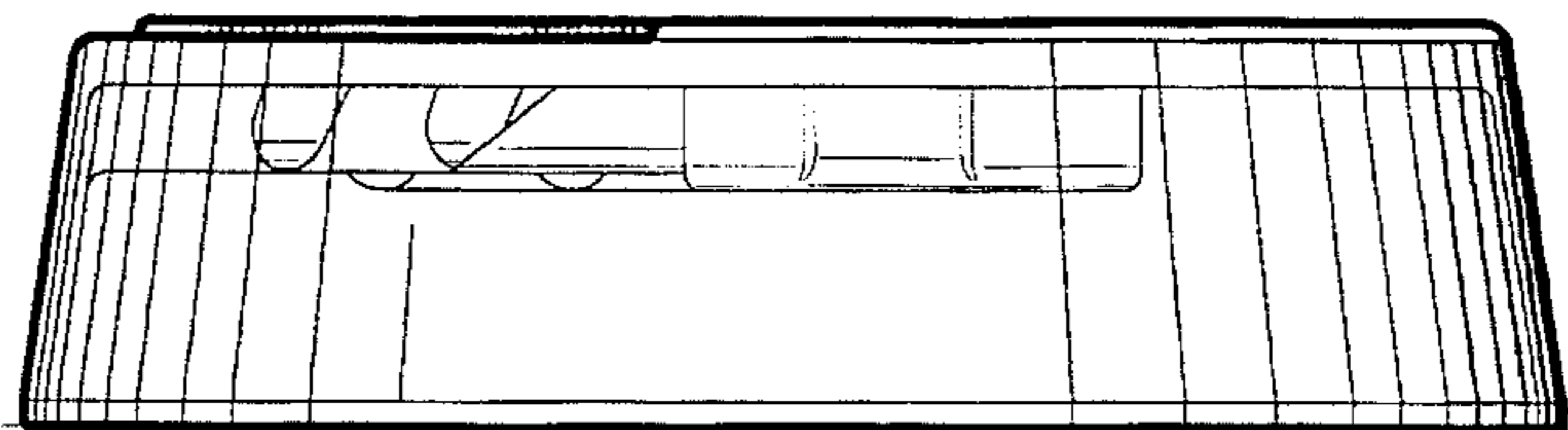


FIG. 7

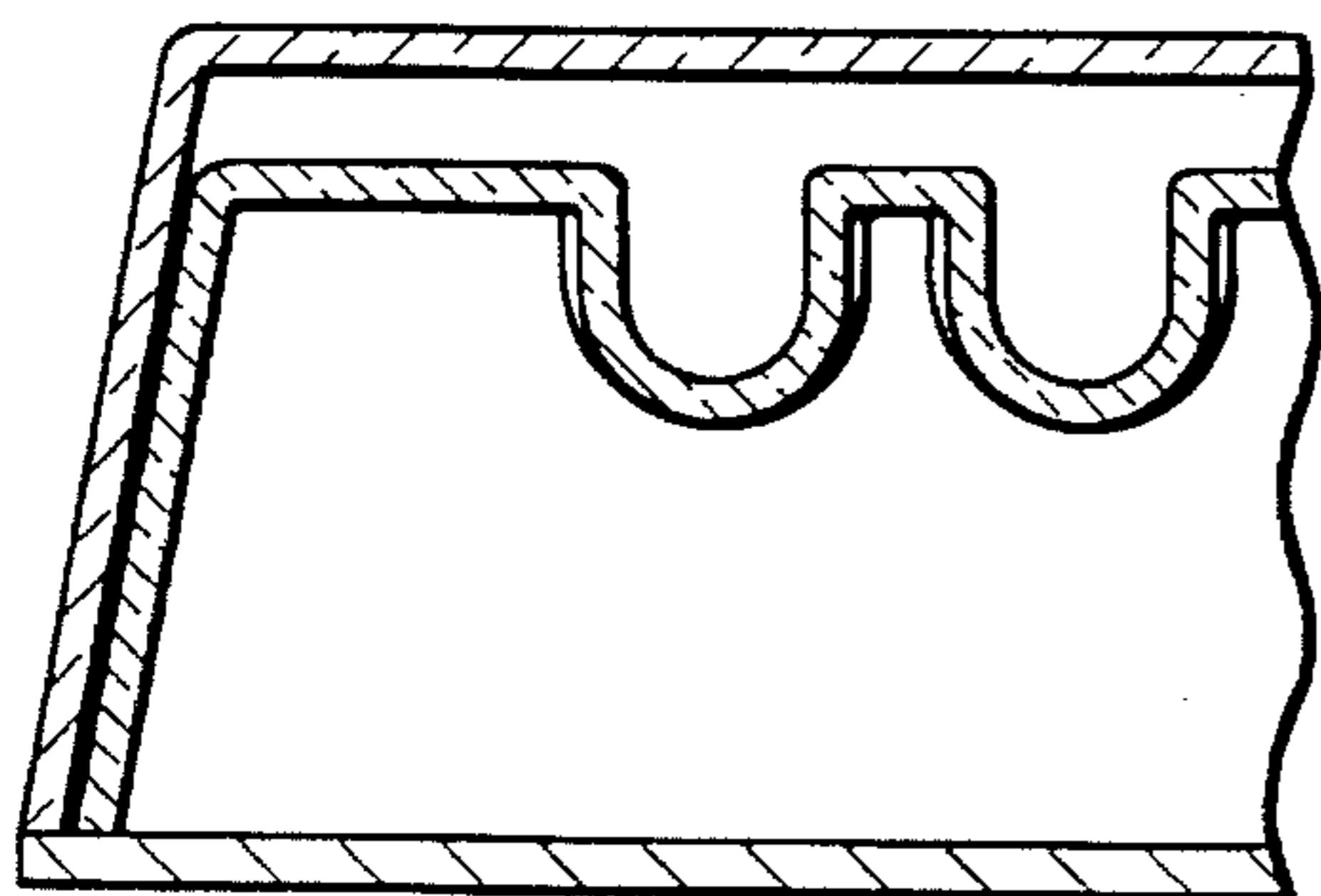


FIG. 8

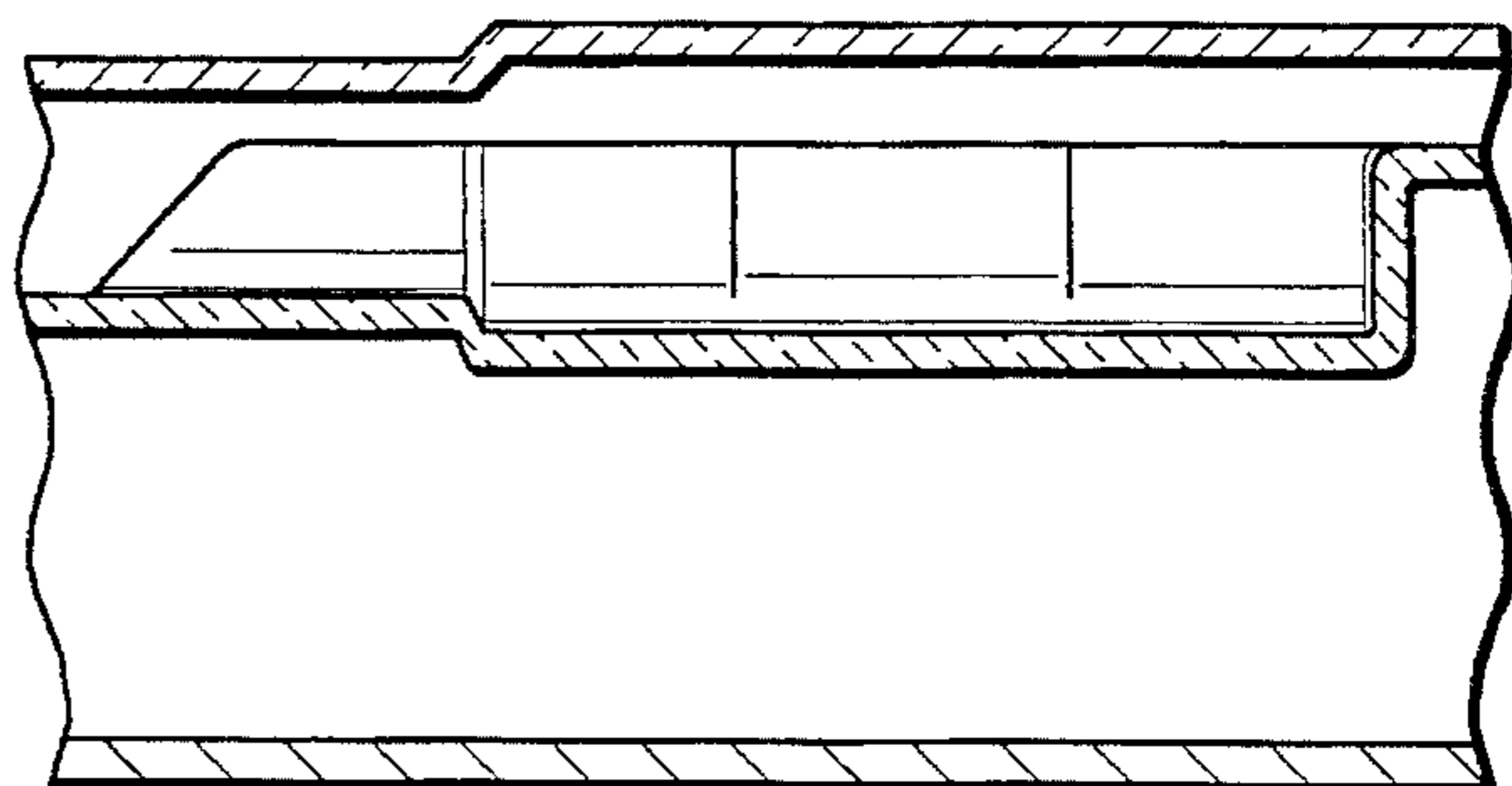


FIG. 9