



US00D372190S

United States Patent [19]

[11] Patent Number: **Des. 372,190**

Price

[45] Date of Patent: ****Jul. 30, 1996**

[54] DOOR PROTECTIVE PLATE FOR A HINGE MOUNTED DOOR STOP

[76] Inventor: **Larry M. Price**, Rte. 3 Box 104L, Hinesville, Ga. 31313

[**] Term: **14 Years**

[21] Appl. No.: **37,411**

[22] Filed: **Apr. 12, 1995**

[52] U.S. Cl. **D8/402; D8/400**

[58] Field of Search D8/400-499; 16/82, 16/83, 86 R, 86 A, 86 B, DIG. 2; 232/DIG. 19, 338-340; 248/345.1, 300, 220.1; 49/462, 460, 504

[56] References Cited

U.S. PATENT DOCUMENTS

D. 271,070	10/1983	Durkee	D8/403
D. 353,319	12/1994	Eckert	D8/343 X
3,144,677	8/1964	Hauke	16/1
3,913,171	10/1975	Reid	16/375
4,259,762	4/1981	Civitelli	16/86 B
4,330,022	5/1982	Bull et al.	49/462 X
4,494,273	1/1985	Straus	16/85 X
4,690,445	9/1987	Hartley	292/341
4,829,629	5/1989	Van Guilder	16/85
5,076,626	12/1991	Tiddy et al.	49/460 X
5,088,780	2/1992	Doherty	292/346
5,127,690	7/1992	Kim et al.	292/340
5,255,727	10/1993	Saruwatari et al.	150/154
5,379,552	1/1995	Smith	49/460
5,454,143	10/1995	Wigley	16/82

FOREIGN PATENT DOCUMENTS

1544003	10/1968	France	292/338
77682	10/1894	Germany	.	
366024	12/1922	Germany	.	

OTHER PUBLICATIONS

Stanley, Cat 130, Nov. 1979; p. 76B: No. 812 in lower left corner.

Ziamatic Corp Bulletin BA-80 ©1980; p. 4, bottom left corner: Short Foot Plate.

Primary Examiner—Ted Shooman

Assistant Examiner—C. Tuttle

Attorney, Agent, or Firm—Dennis H. Lambert

[57] CLAIM

The ornamental design for a door protective plate for a hinge mounted door stop, as shown and described.

DESCRIPTION

FIG. 1 is a front, top and side perspective view of the door protective plate for a hinge mounted door stop embodying the design of the present invention;

FIG. 2 is a front elevational view thereof;

FIG. 3 is a rear elevational view thereof;

FIG. 4 is a right side elevational view thereof;

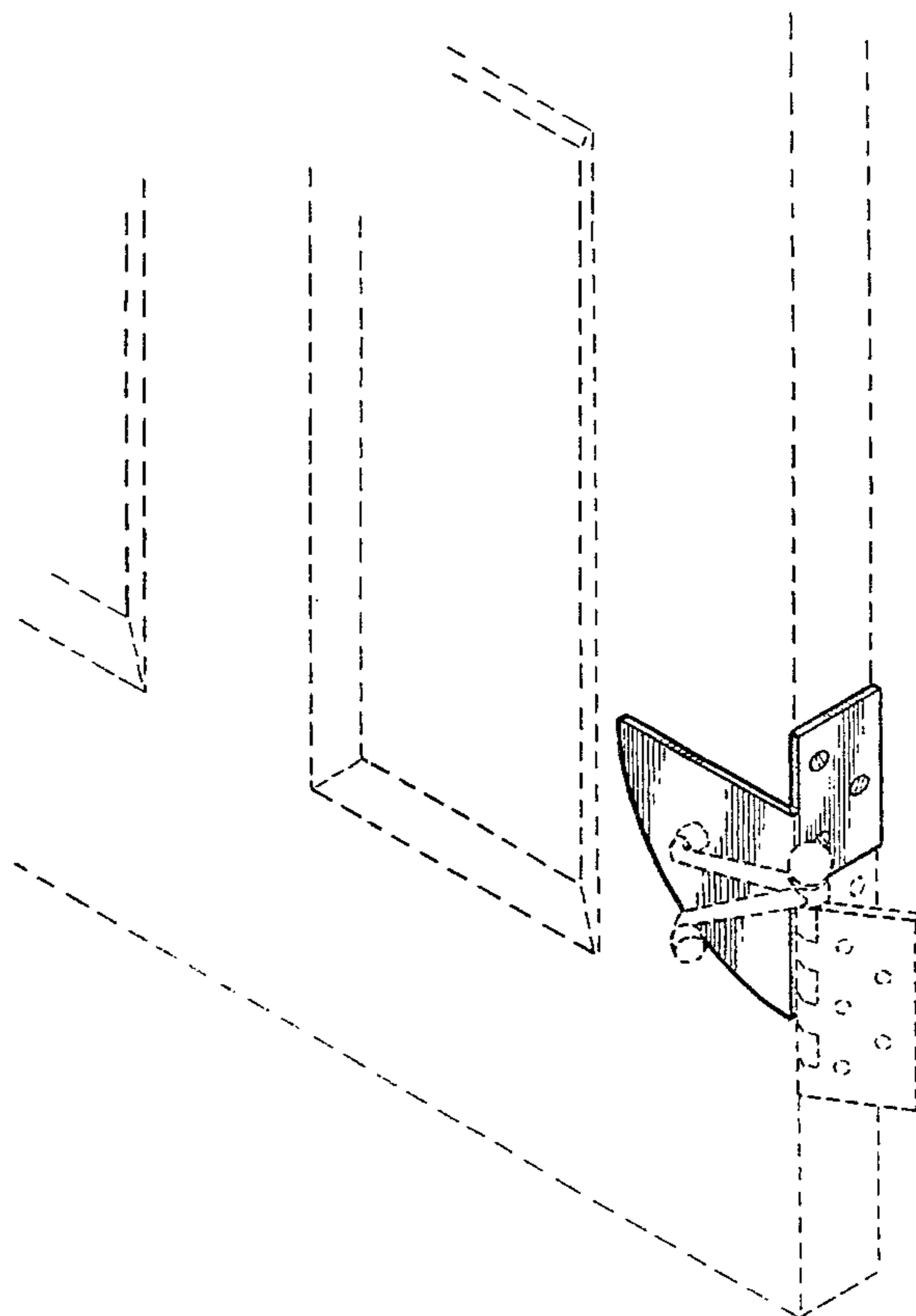
FIG. 5 is a left side elevational view thereof;

FIG. 6 is a top plan view thereof; and,

FIG. 7 is a bottom plan view thereof.

The broken line showing of the door, hinge and stop is for illustrative purposes only and forms no part of the claimed design.

1 Claim, 3 Drawing Sheets



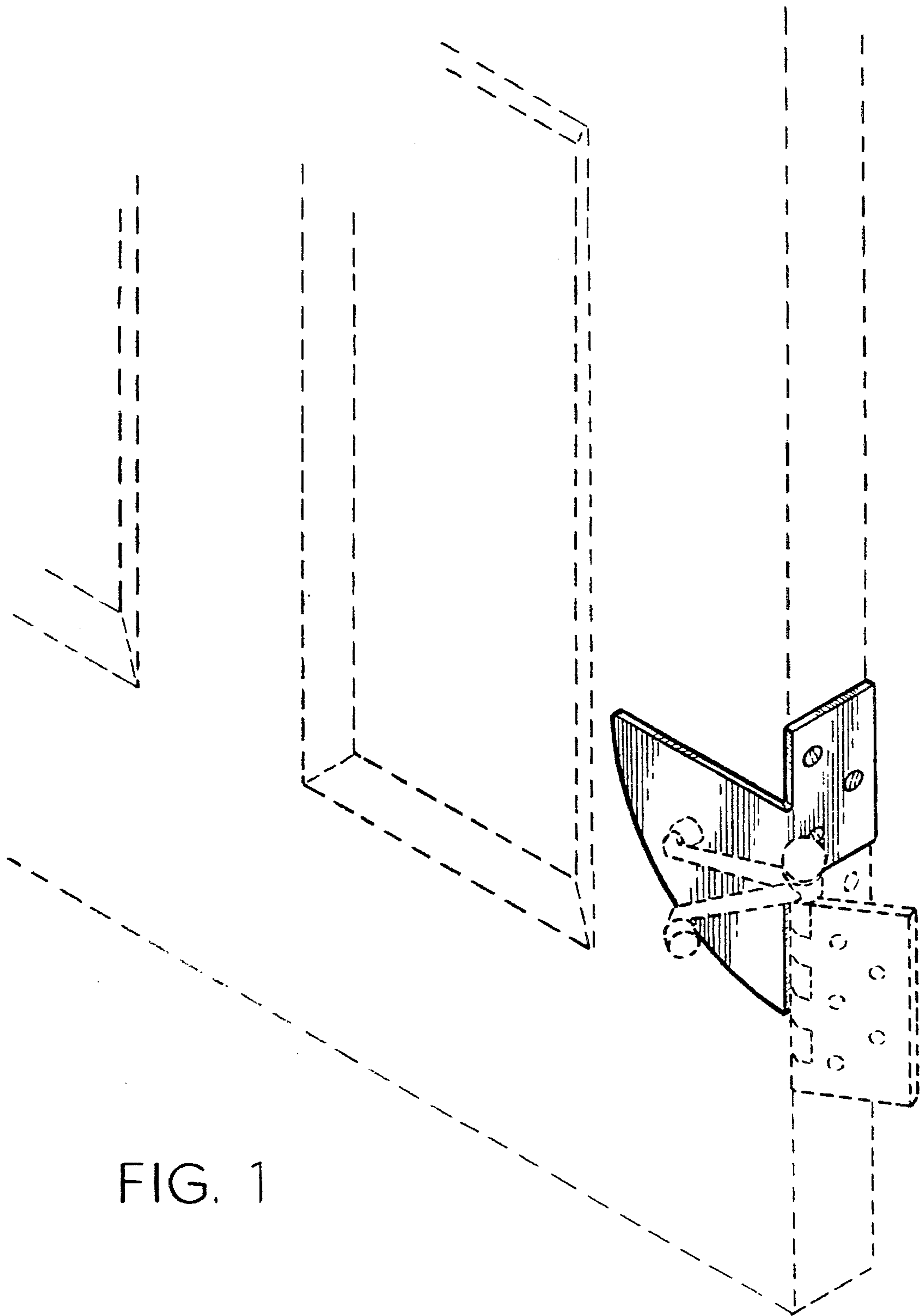


FIG. 1

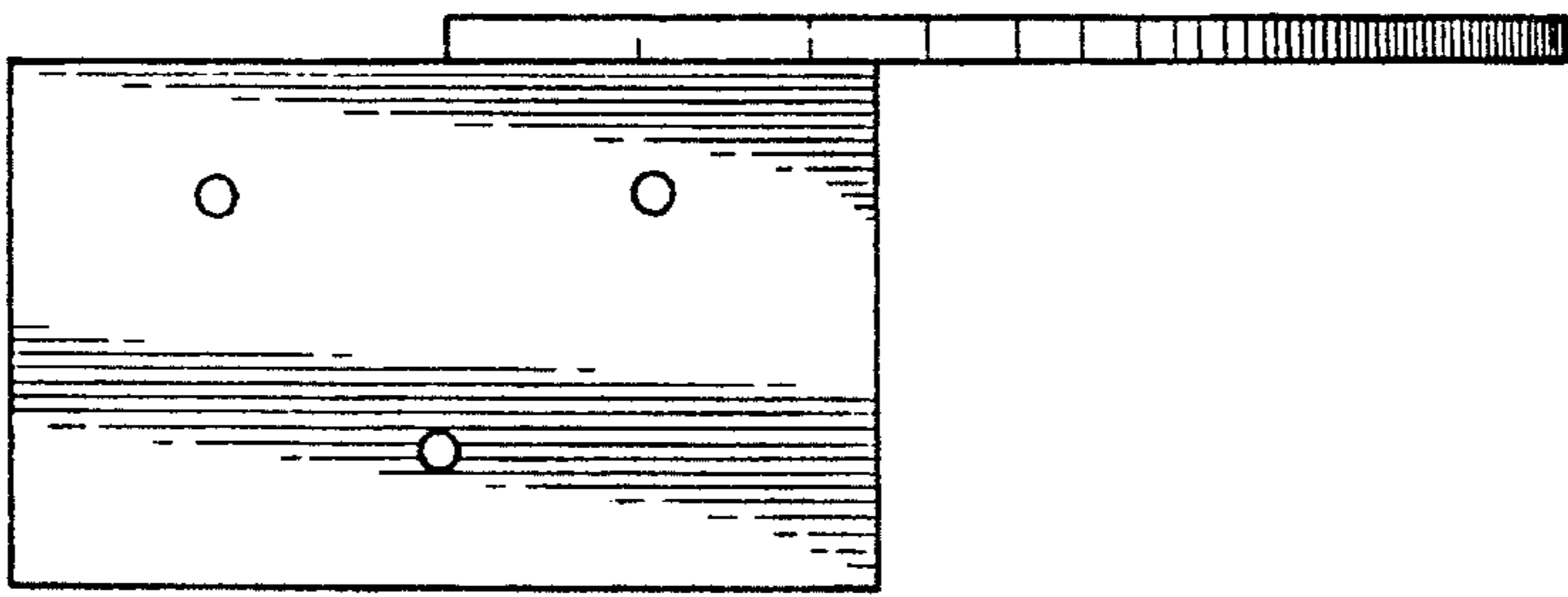


FIG. 5

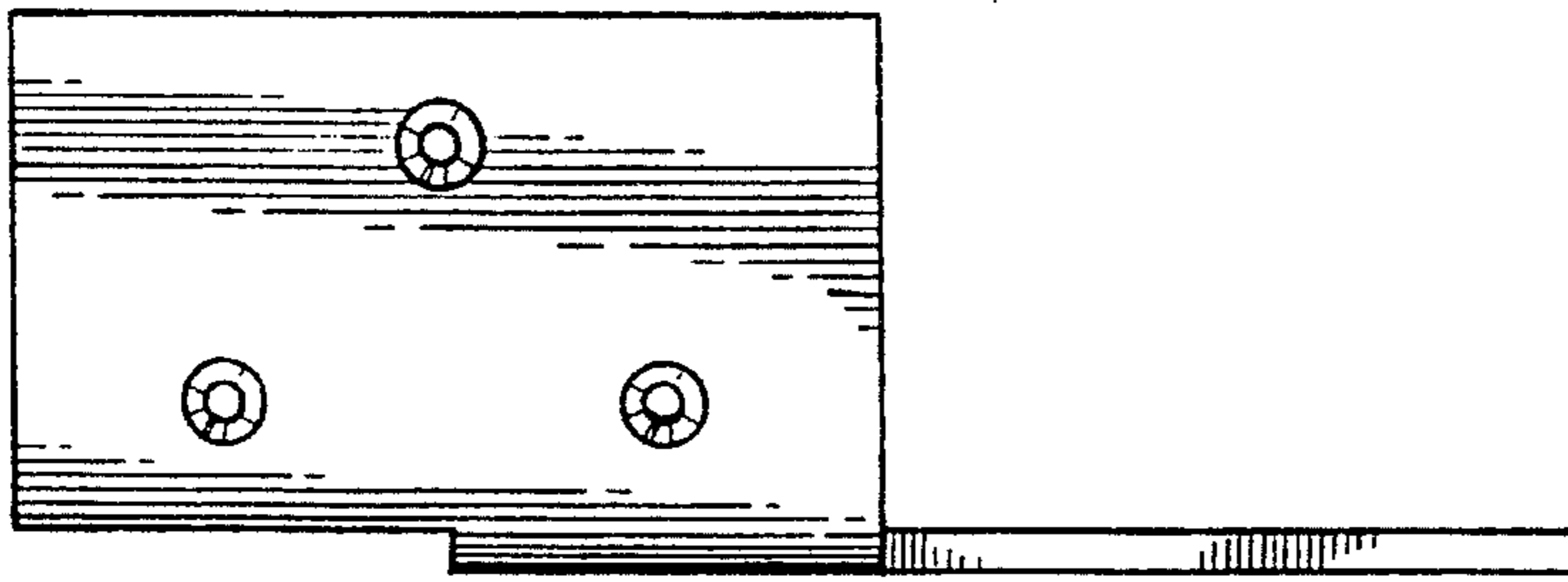


FIG. 4

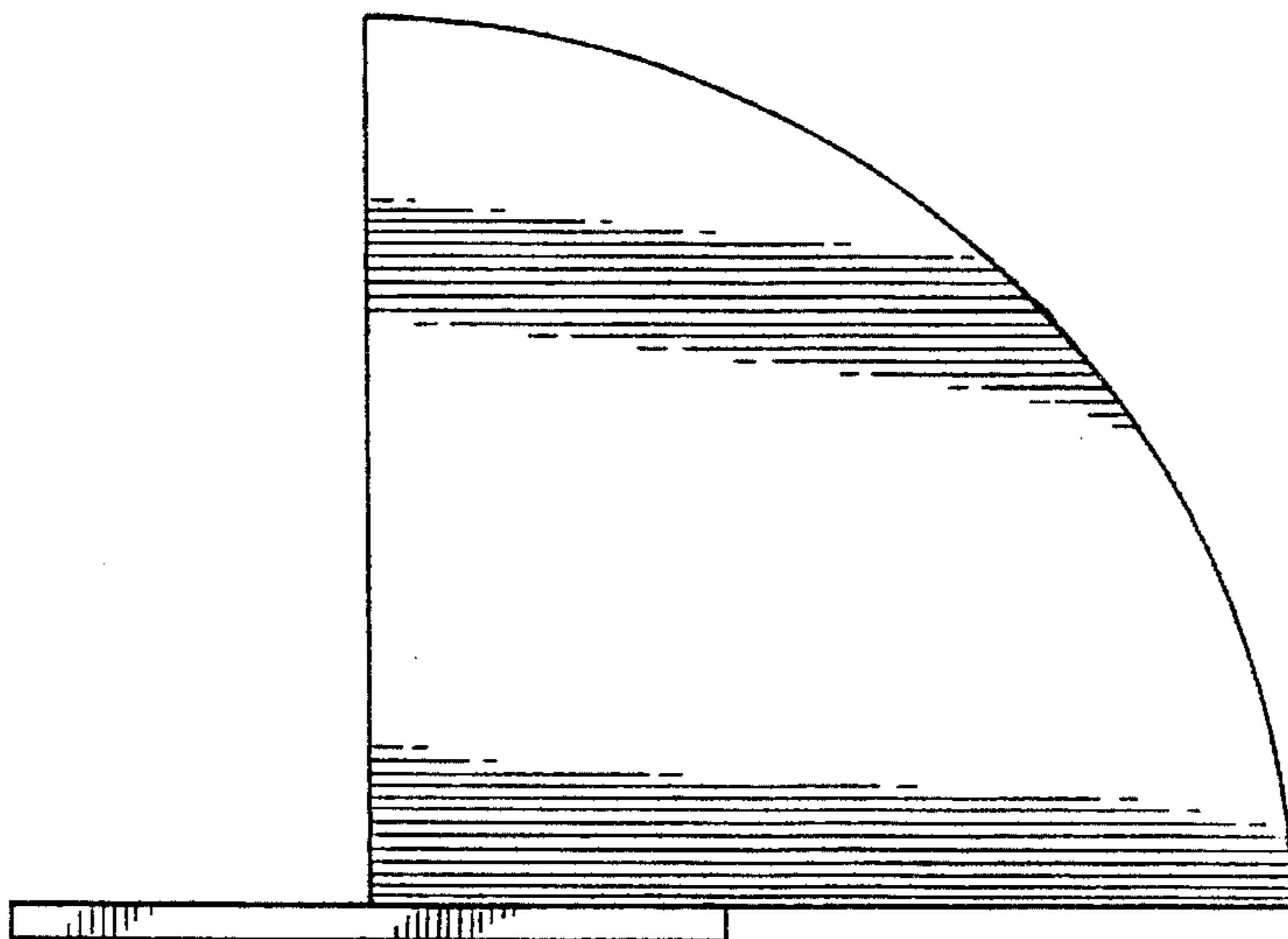


FIG. 3

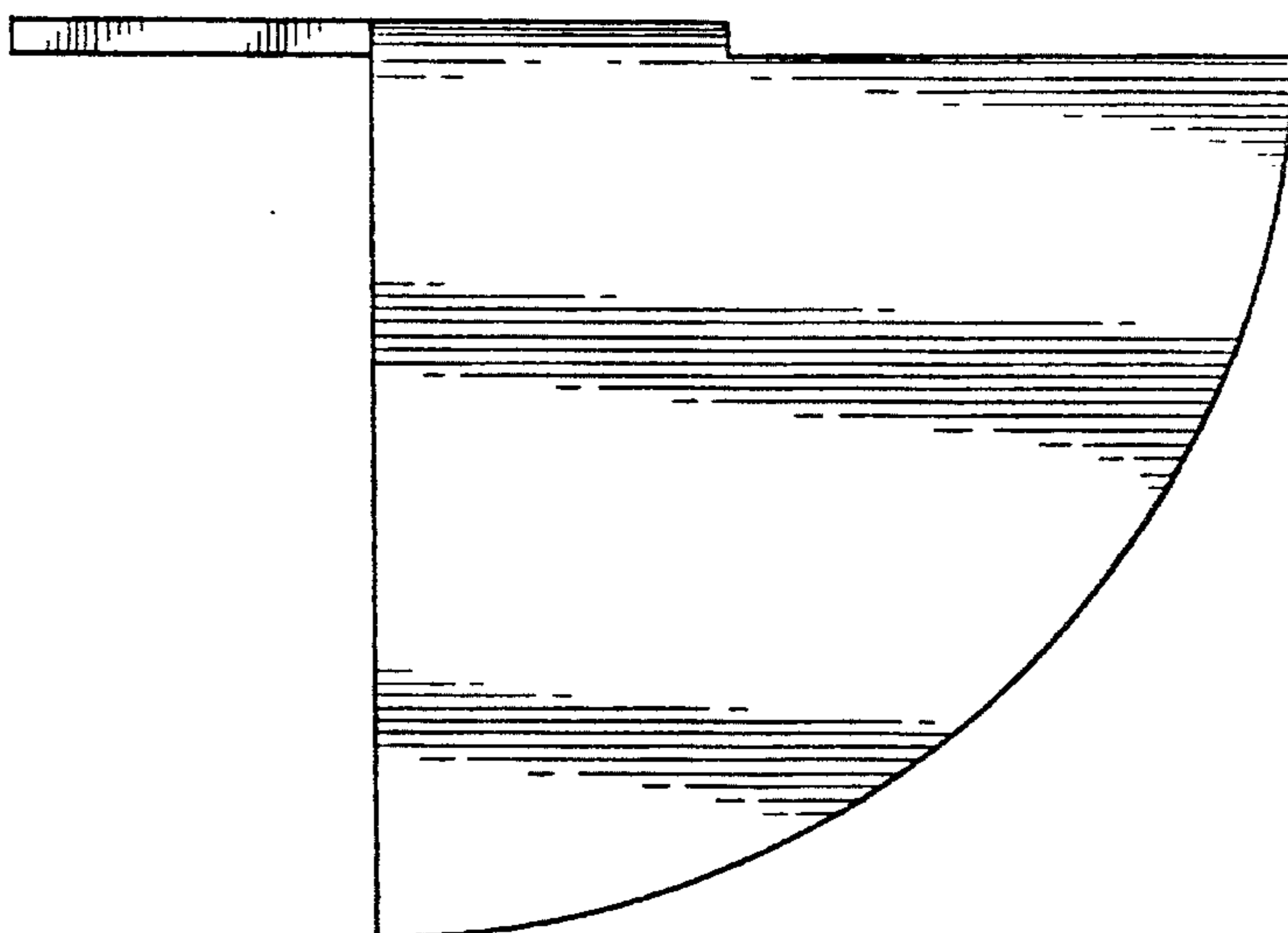


FIG. 2

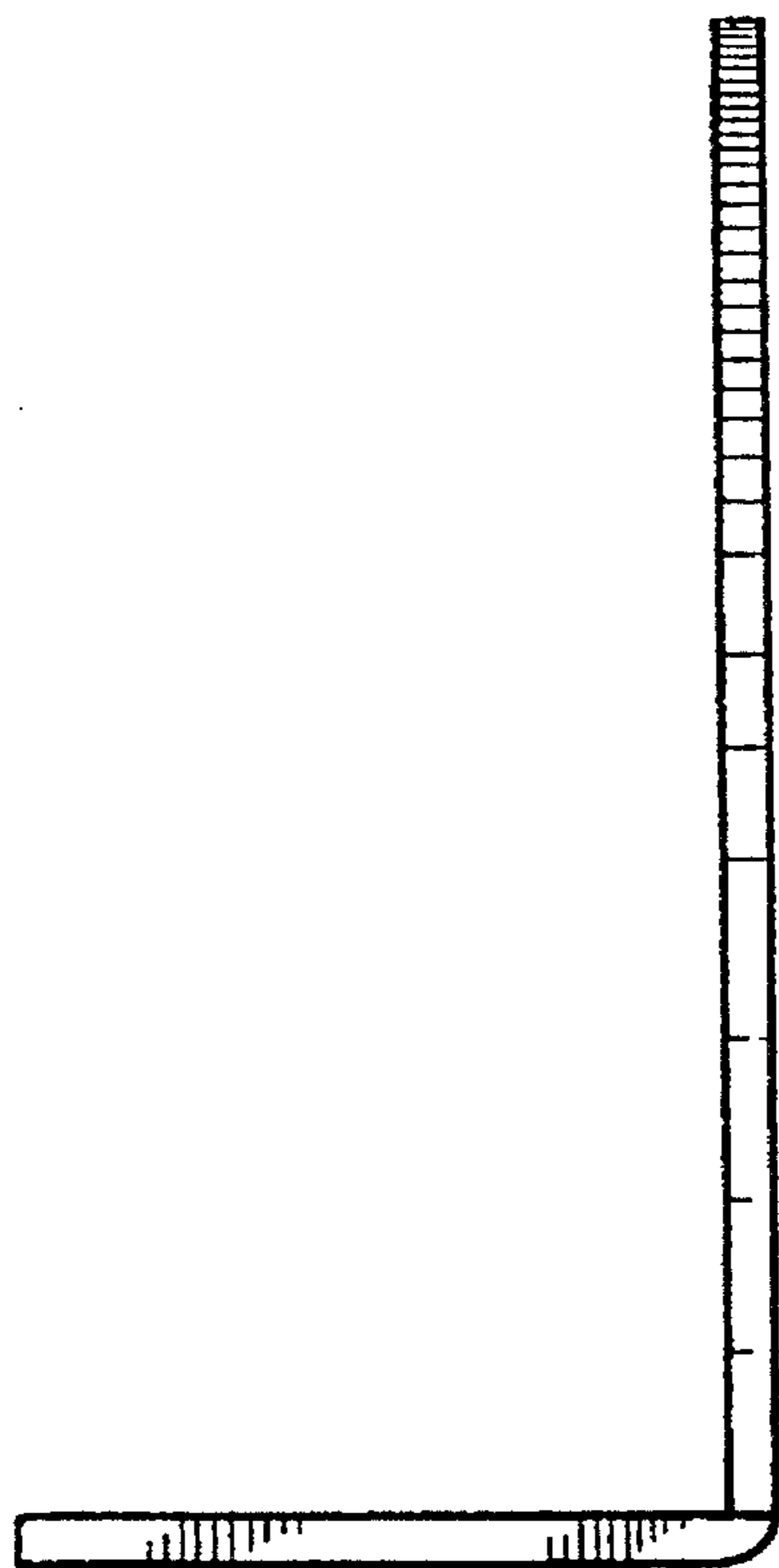


FIG. 6

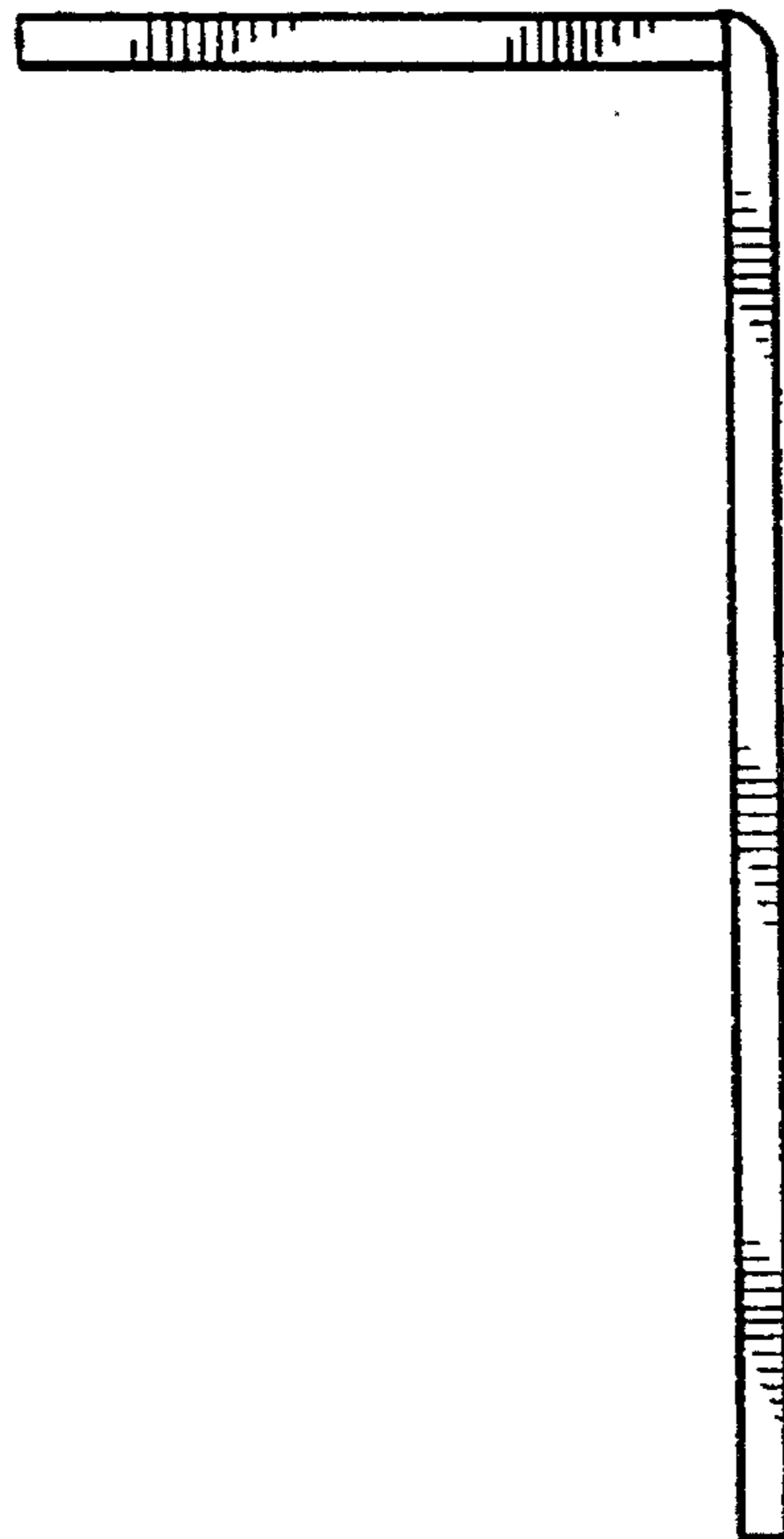


FIG. 7