



US00D372188S

United States Patent [19]
Van Dyke

[11] **Patent Number: Des. 372,188**
[45] **Date of Patent: **Jul. 30, 1996**

[54] **CORD STORAGE DEVICE**
[75] Inventor: **Rick Van Dyke**, Forest Grove, Oreg.
[73] Assignee: **Jayne Nanavaty-Dahl**, Wilsonville, Oreg.
[**] Term: **14 Years**

Primary Examiner—Holly H. Baynham
Attorney, Agent, or Firm—Klarquist Sparkman Campbell Leigh & Whinston, LLP

[21] Appl. No.: **40,313**
[22] Filed: **Jun. 15, 1995**
[52] **U.S. Cl.** **D8/358**
[58] **Field of Search** D8/356, 358, 394;
D22/25; D3/23; 24/30.5 R, 30.5 S; 242/388,
405.1—405.2

[57] **CLAIM**
The ornamental design for cord storage device, as shown and described.

DESCRIPTION

FIG. 1 is a front elevation view of a cord storage device of the present invention with the rear view being a mirror image and the broken line showing of a cord being for illustrative purposes only and forming no part of the claimed design;

FIG. 2 is a right side elevation view of the invention of FIG. 1. The left side elevation view being a mirror image of the right side elevation view shown; and,

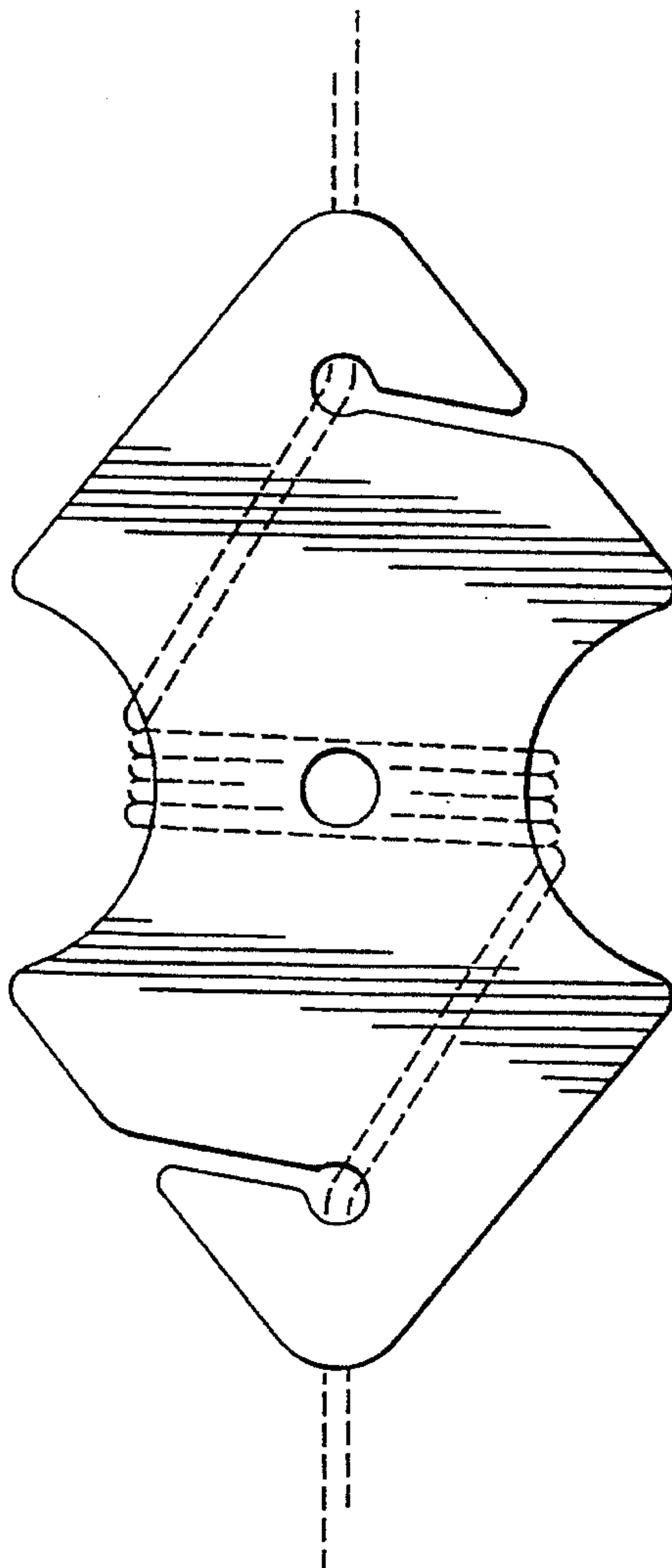
FIG. 3 is a bottom plan view of the invention of FIG. 1. The top plan view being a mirror image of the bottom plan view shown.

[56] **References Cited**

U.S. PATENT DOCUMENTS

D. 228,630	10/1973	Brown	D8/394
D. 255,506	6/1980	Eubanks et al.	D3/23
1,830,014	11/1931	Brady	24/30.5 R X
2,396,906	3/1946	Windson	24/30.5 X
2,422,358	6/1947	Lobl	242/405.1

1 Claim, 1 Drawing Sheet



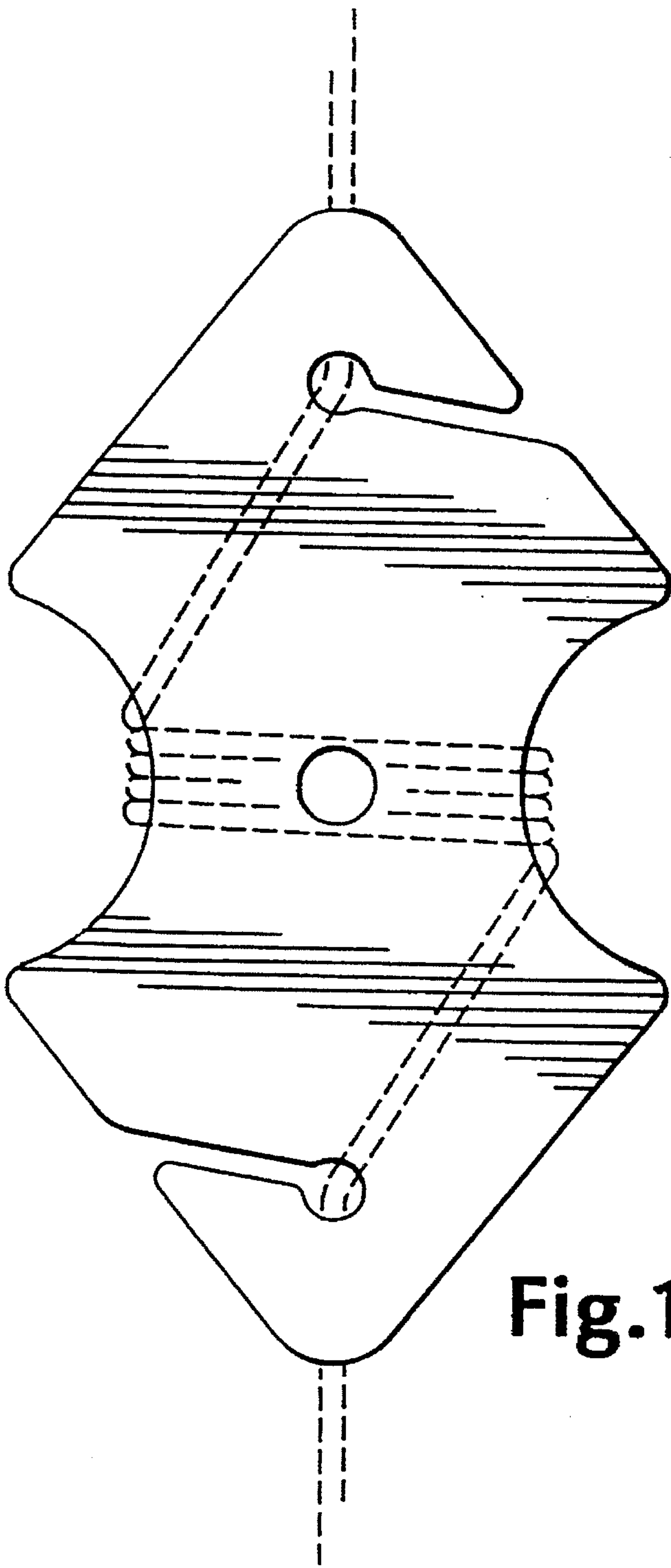


Fig. 1



Fig. 2



Fig. 3