



US00D372180S

United States Patent [19]
Powell

[11] **Patent Number: Des. 372,180**

[45] **Date of Patent: **Jul. 30, 1996**

[54] **COMBINED WHETSTONE AND HOUSING**

Attorney, Agent, or Firm—Fish & Richardson P.C.

[76] Inventor: **David G. Powell**, 109 Edmunds Rd.,
Wellesley, Mass. 02181

[57] **CLAIM**

The ornamental design for a combined whetstone and housing, as shown and described.

[**] Term: **14 Years**

DESCRIPTION

[21] Appl. No.: **33,584**

FIG. 1 is a perspective view of a combined whetstone and housing showing my new design in a closed position;

[22] Filed: **Jan. 17, 1995**

FIG. 2 is a front elevation view thereof;

[52] **U.S. Cl.** **D8/91; D8/93**

FIG. 3 is a rear elevation view thereof;

[58] **Field of Search** **D8/90, 91, 92,**
D8/93; 76/81.3, 84, 86; 451/557

FIG. 4 is a side elevation view thereof;

FIG. 5 is a side elevation view thereof, opposite that shown in FIG. 4;

[56] **References Cited**

U.S. PATENT DOCUMENTS

D. 227,733	7/1973	Baer	D8/91
D. 287,095	12/1986	Hunter	D8/91
D. 289,489	4/1987	Atkinson	D8/91
D. 329,797	9/1992	Baker	D8/93
2,024,272	12/1935	Brown	76/81.3
3,861,087	1/1975	Martin	451/557
3,942,394	3/1976	Juranitch	451/557
4,259,815	4/1981	Kuban	451/557

FIG. 6 is a top plan view thereof;

FIG. 7 is a bottom plan view thereof;

FIG. 8 is a perspective view showing the combined whetstone and housing in an open position;

FIG. 9 is a front elevation view thereof;

FIG. 10 is a rear elevation view thereof;

FIG. 11 is a side elevation view thereof;

FIG. 12 is a side elevation view thereof, opposite that shown in FIG. 11;

OTHER PUBLICATIONS

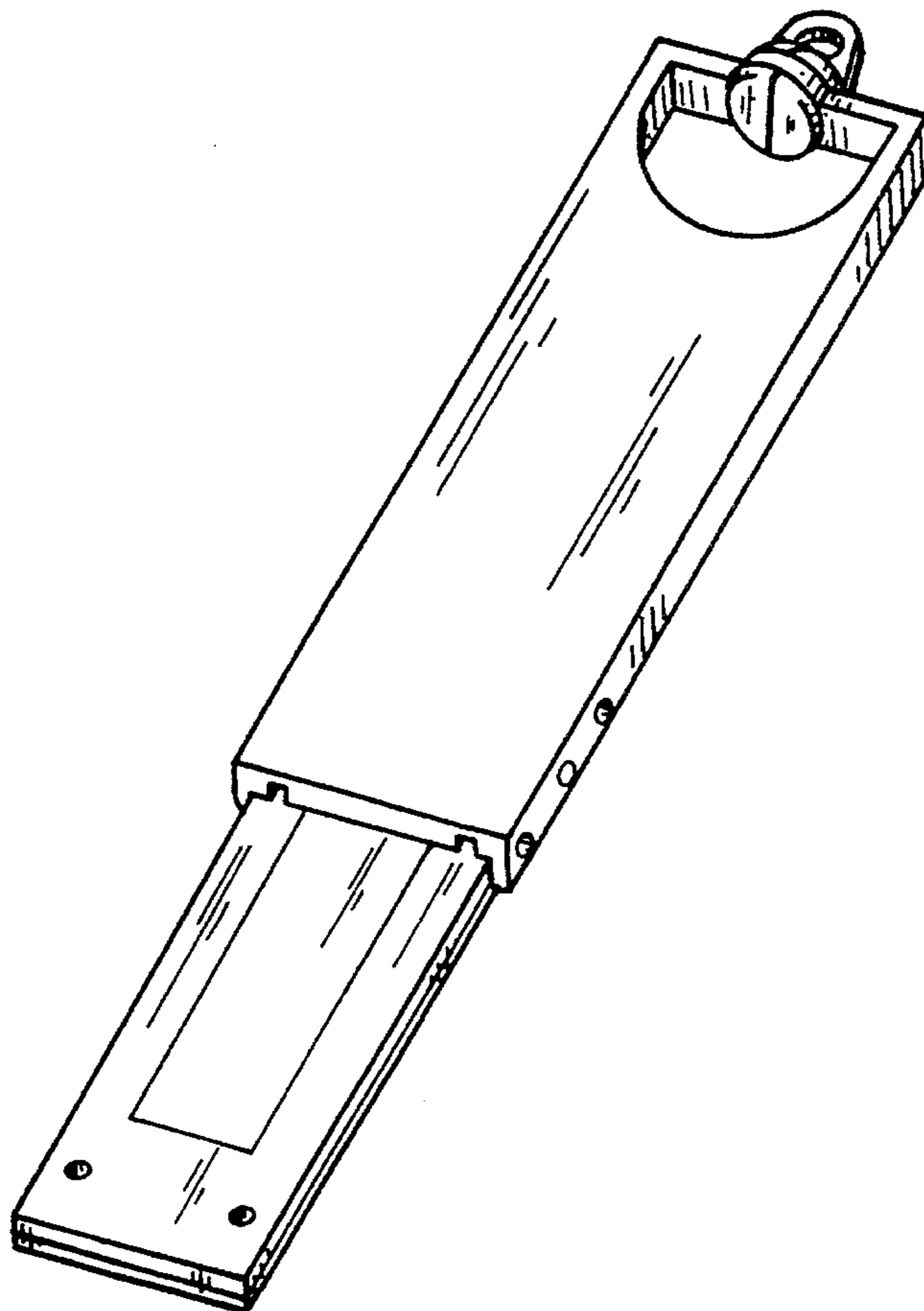
Cutlery Shoppe Catalog, 1990, p. 16, DMT Sharpening Stones.

FIG. 13 is a top plan view thereof; and,

FIG. 14 is a bottom plan view thereof.

Primary Examiner—Philip S. Hyder

1 Claim, 3 Drawing Sheets



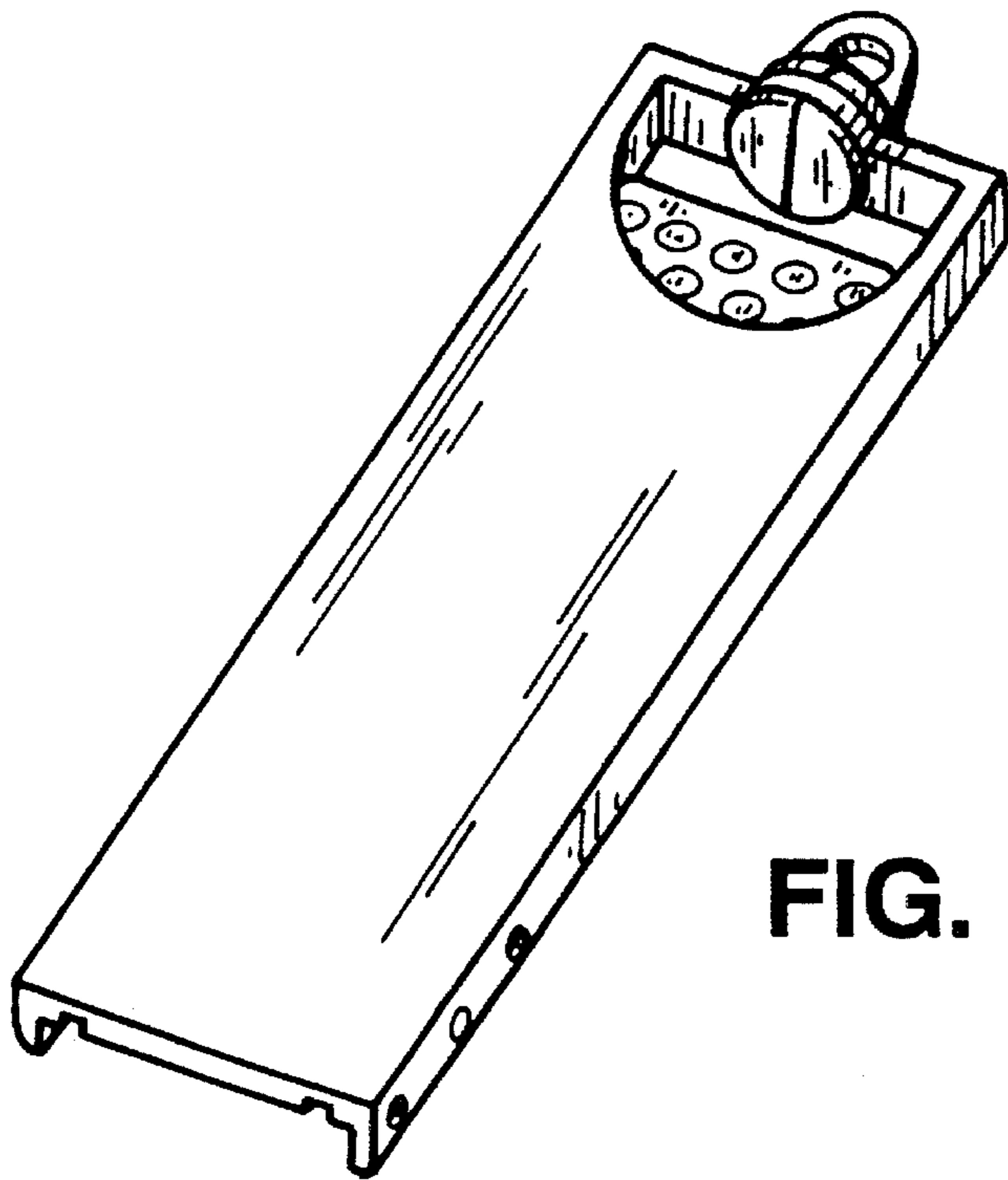


FIG. 1

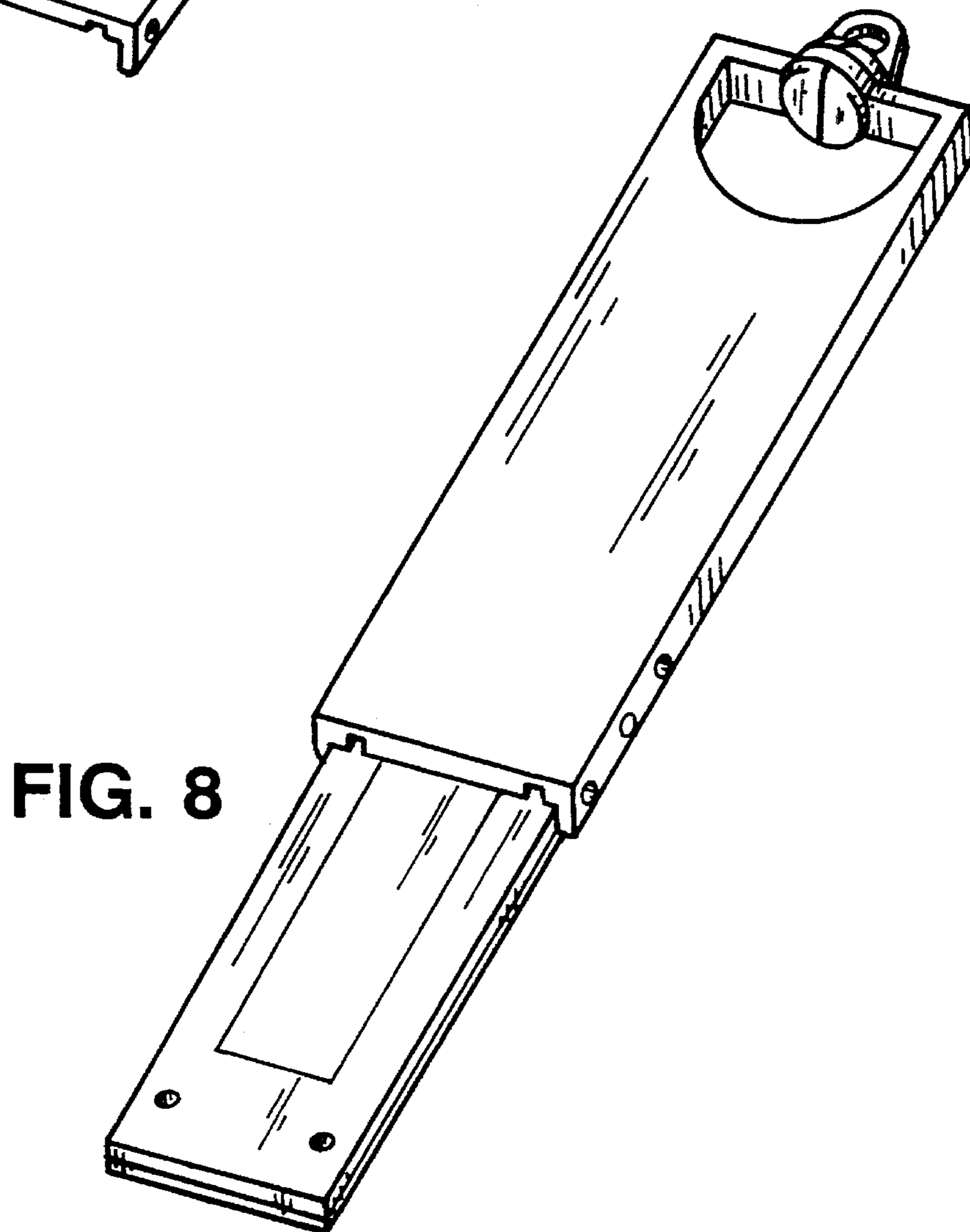


FIG. 8

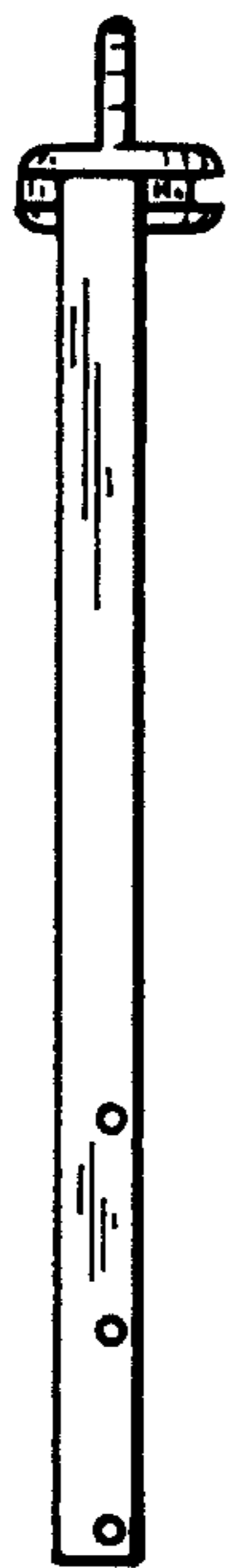


FIG. 4

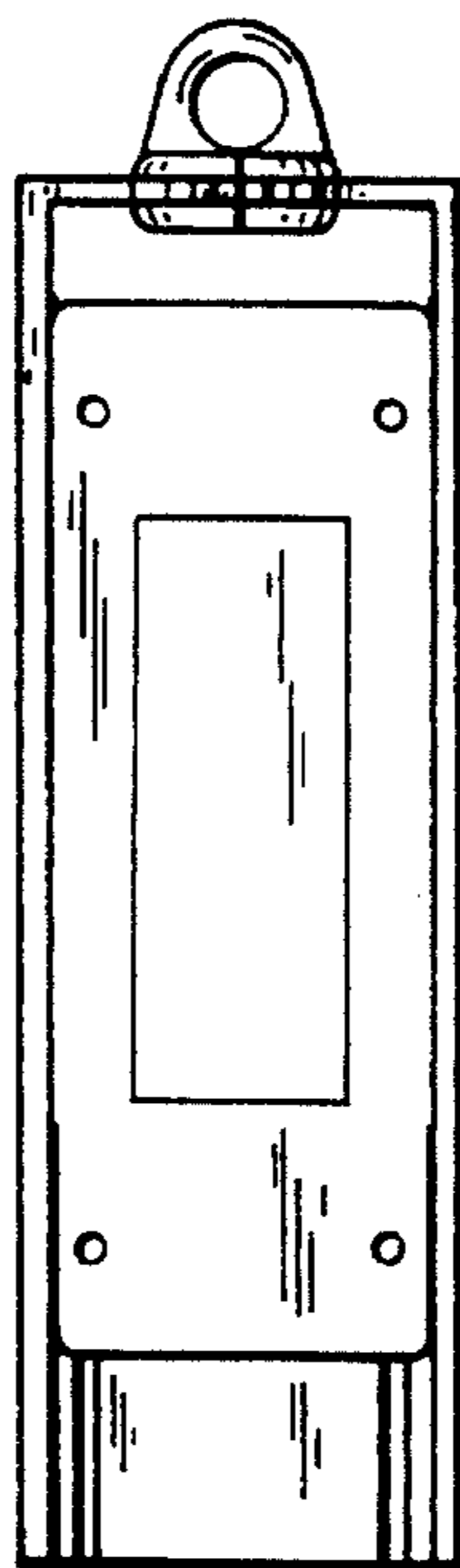


FIG. 3



FIG. 5

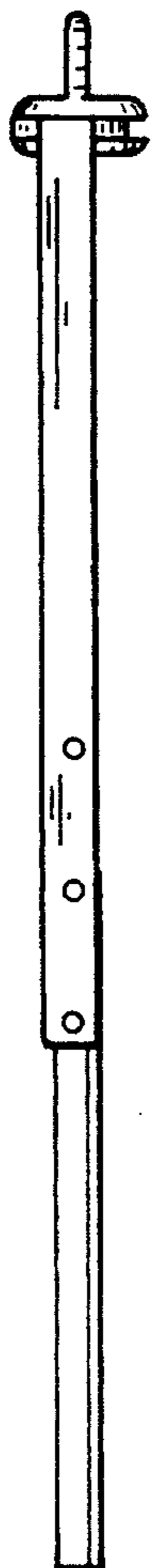


FIG. 11

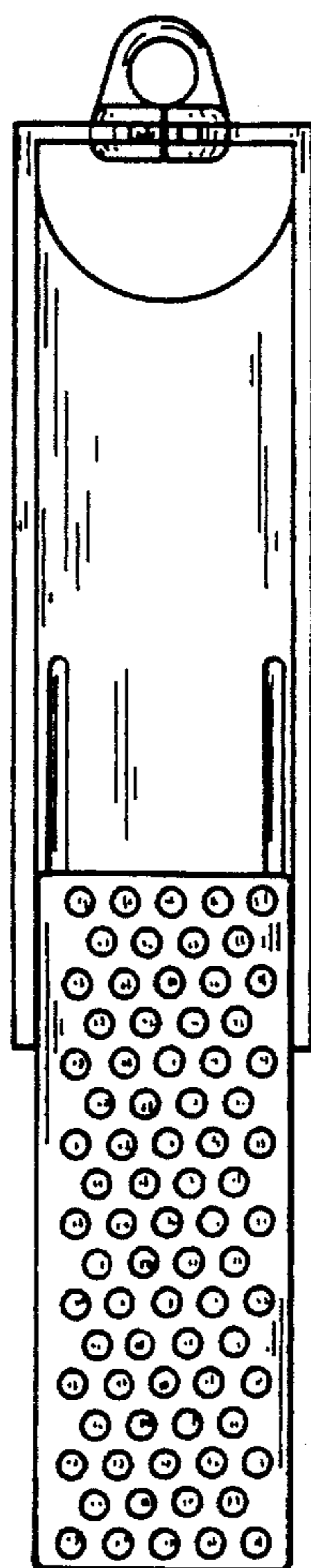


FIG. 10

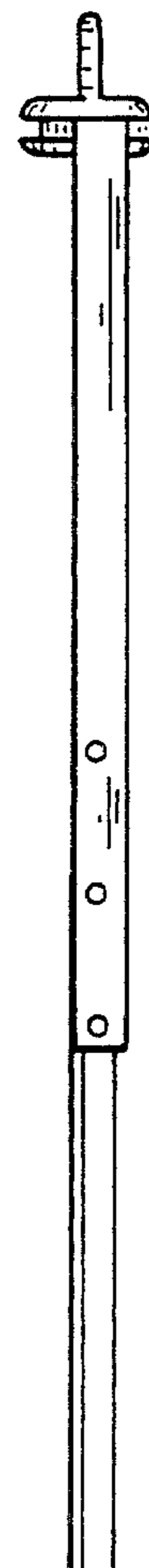


FIG. 12

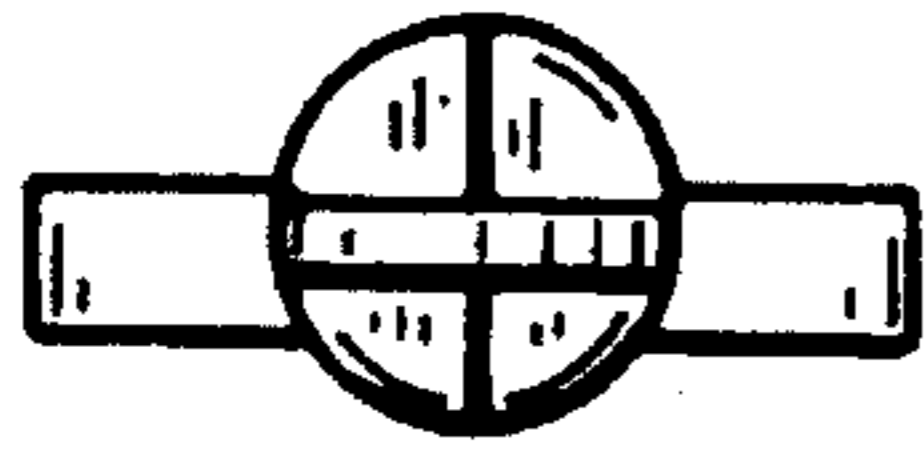


FIG. 6

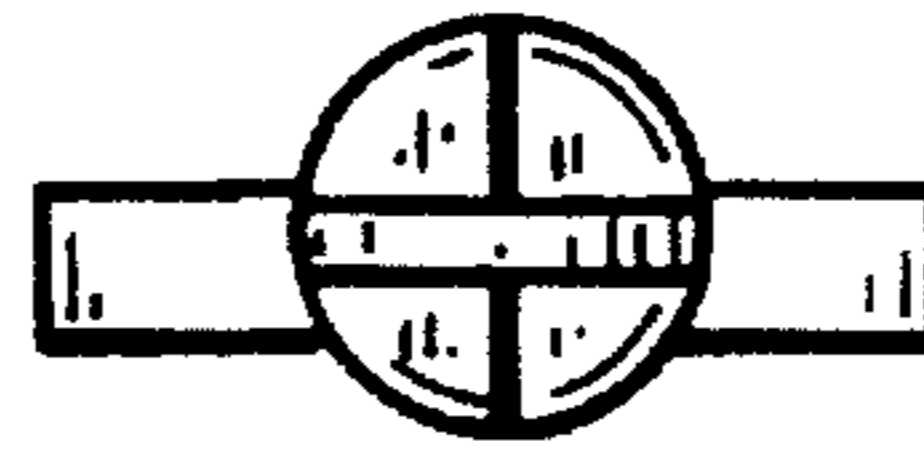


FIG. 13

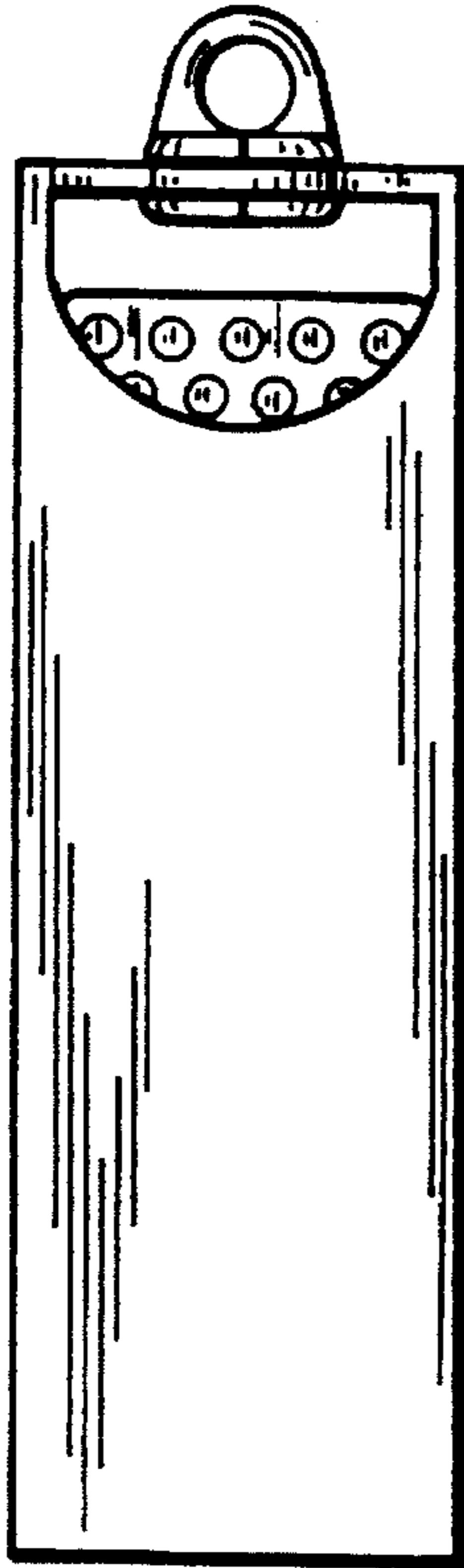


FIG. 2

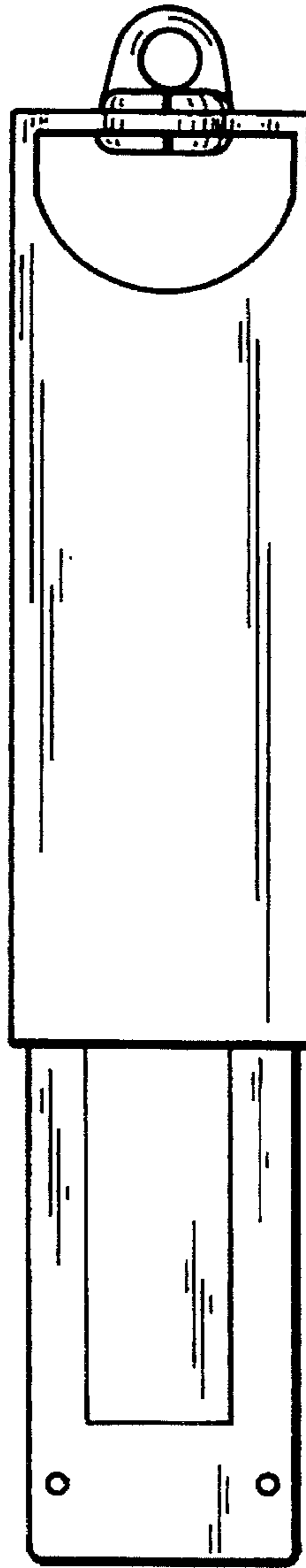


FIG. 9



FIG. 7

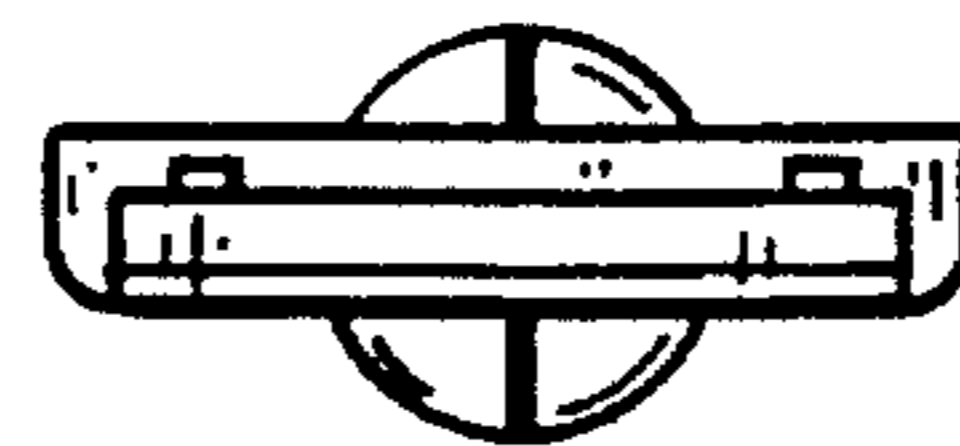


FIG. 14