



US00D372179S

United States Patent [19]

Spirer

[11] Patent Number: **Des. 372,179**

[45] Date of Patent: ****Jul. 30, 1996**

[54] **MACHINIST HAMMER**

[76] Inventor: **Steven E. Spirer**, 100 B Oak St.,
Norwood, N.J. 07648

[**] Term: **14 Years**

[21] Appl. No.: **42,716**

[22] Filed: **Jul. 27, 1995**

[52] U.S. Cl. **D8/77; D8/81**

[58] Field of Search **D8/75, 76, 77,
D8/78, 79, 80, 81; 7/143, 146; 81/19, 20,
21, 22, 23, 24, 25, 26**

[56] **References Cited**

U.S. PATENT DOCUMENTS

D. 57,706	4/1921	Moorhouse	D8/75
D. 161,810	2/1951	Alexander	D8/75
D. 182,076	2/1958	MacMinn	D8/77
D. 182,077	2/1958	MacMinn	D8/77
D. 182,132	2/1958	MacMinn	D8/77

D. 182,133	2/1958	MacMinn	D8/77
3,786,847	1/1974	Schera, Jr.	D8/78

Primary Examiner—Philip S. Hyder
Attorney, Agent, or Firm—Weingram & Zall

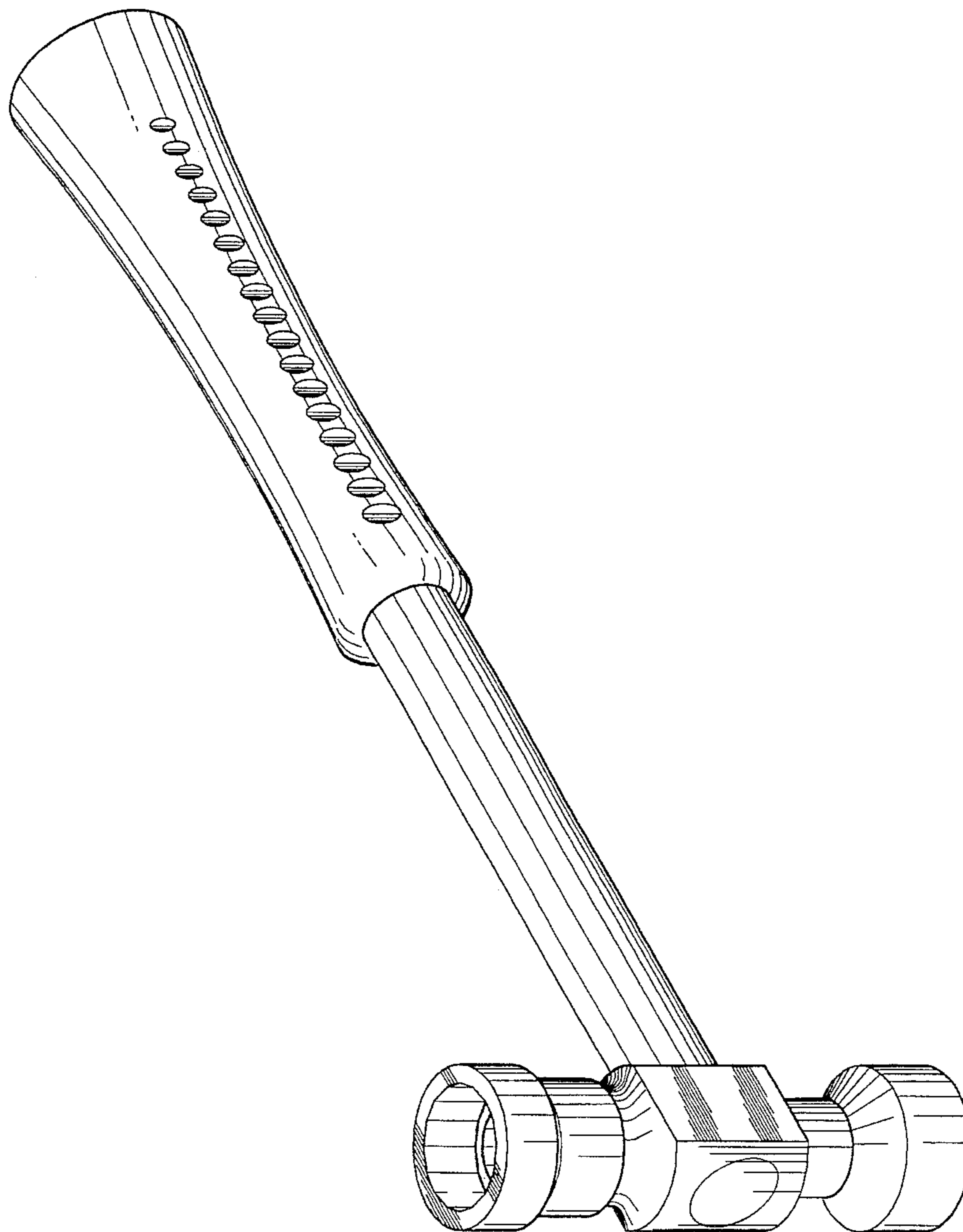
[57] **CLAIM**

The ornamental design for a machinist hammer, as shown and described.

DESCRIPTION

FIG. 1 is a perspective view of a machinist hammer showing my new design;
FIG. 2 is a front elevational view thereof;
FIG. 3 is a rear elevational view thereof;
FIG. 4 is a bottom elevational view thereof;
FIG. 5 is a top elevational view thereof; and,
FIG. 6 is a side elevational view thereof, the opposite side elevational view being a mirror image thereof.

1 Claim, 3 Drawing Sheets



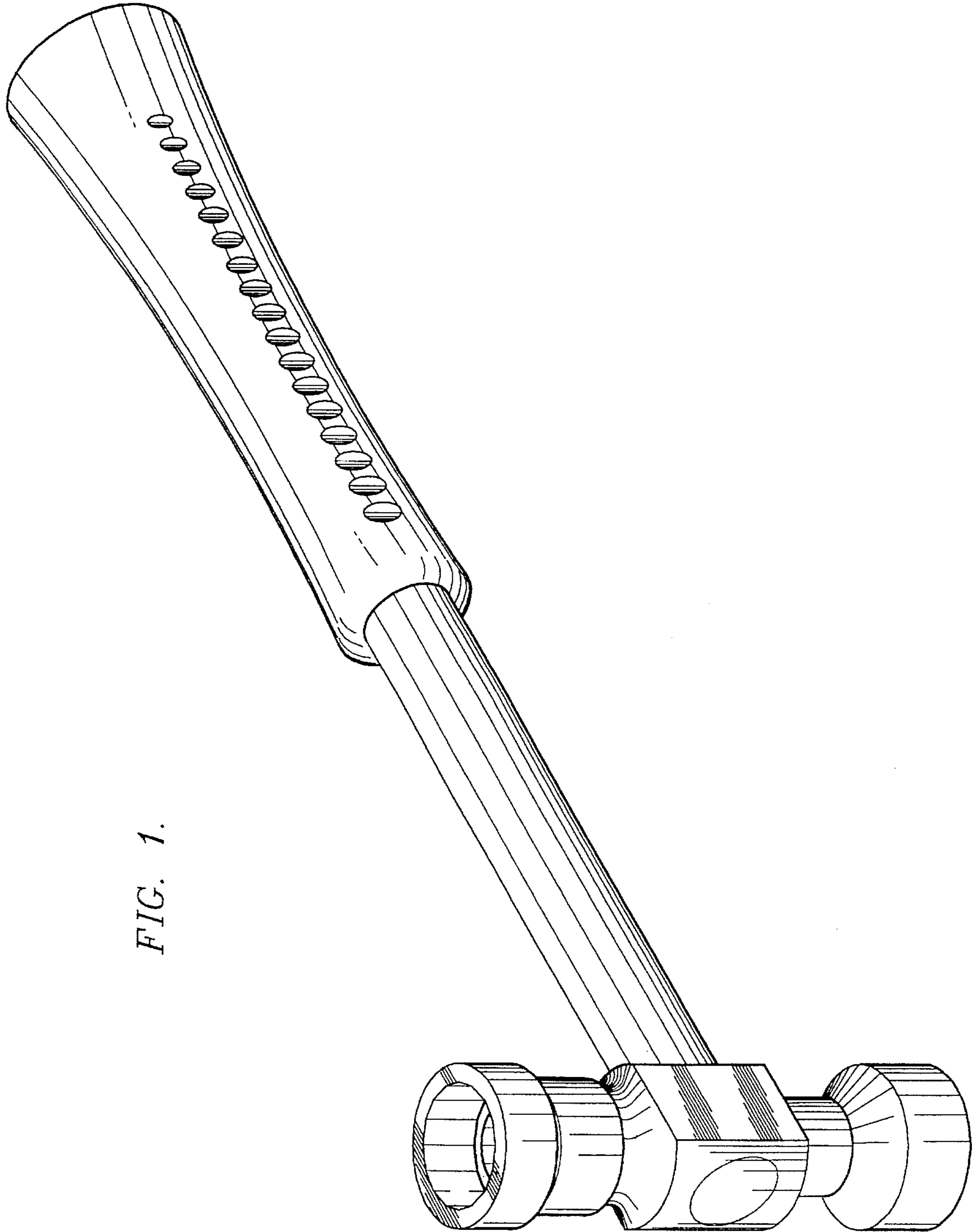


FIG. 1.

FIG. 3.

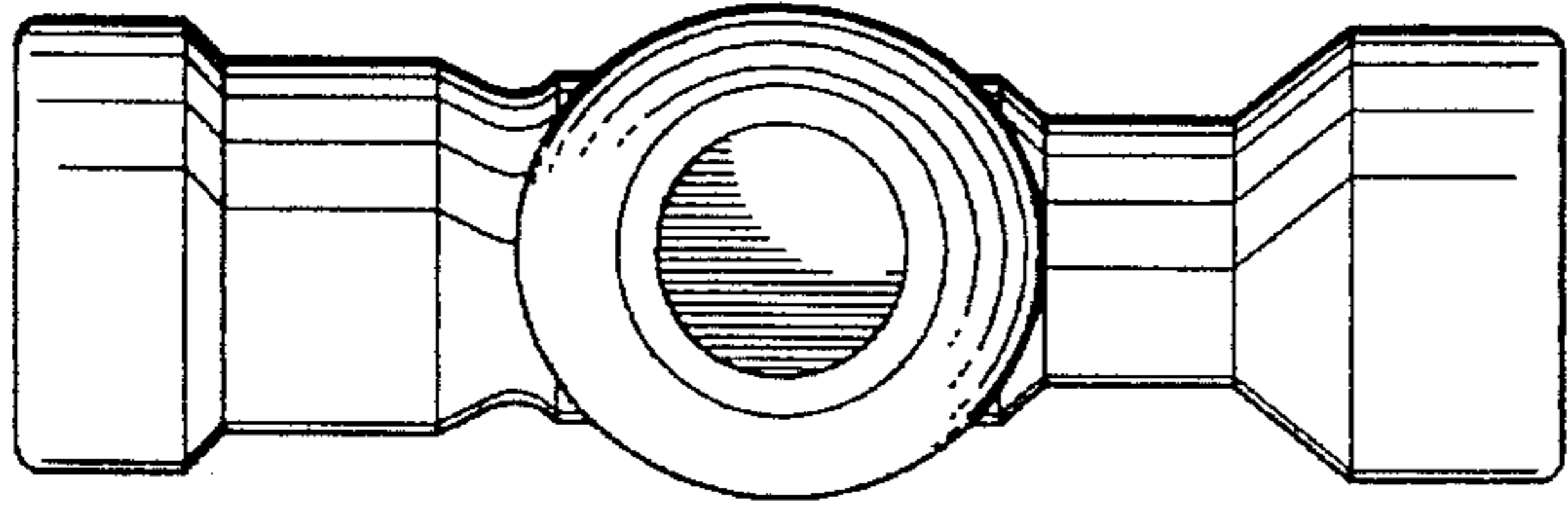


FIG. 2.

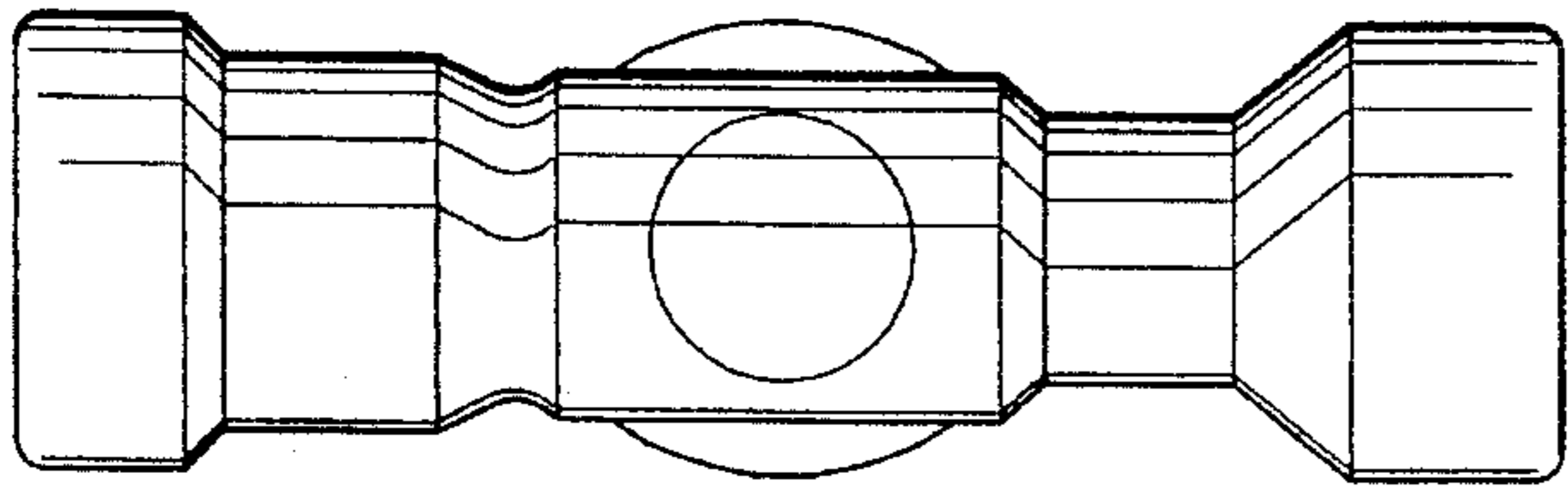


FIG. 4.

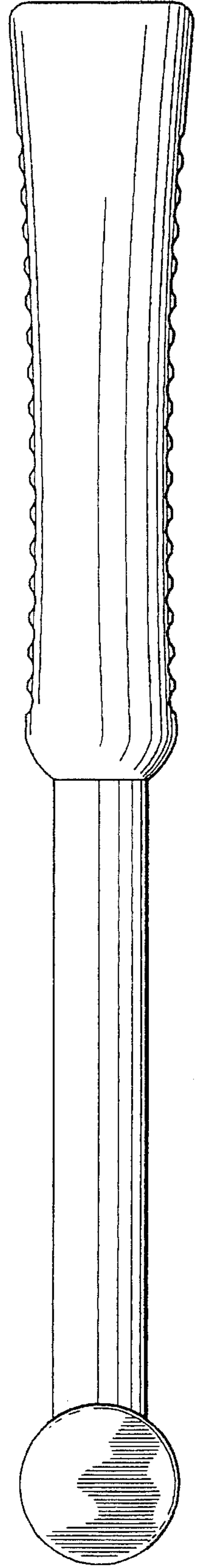


FIG. 5.

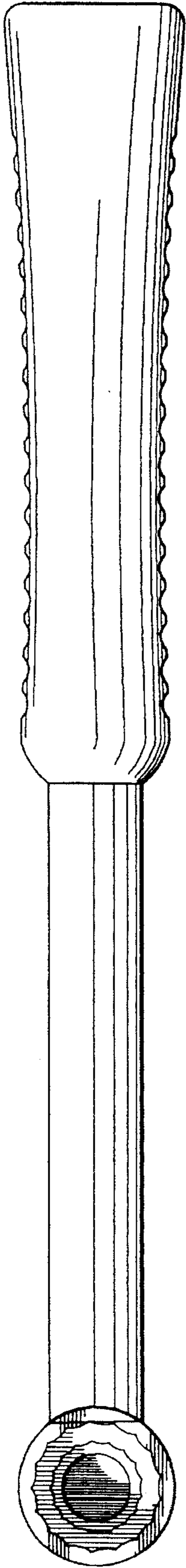


FIG. 6.

