



US00D372177S

United States Patent [19]

Hansen

[11] Patent Number: **Des. 372,177**

[45] Date of Patent: ****Jul. 30, 1996**

[54] **POST PULLER**

[76] Inventor: **Scott C. Hansen**, 189 S. 700 East,
Payson, Utah 84651

[**] Term: **14 Years**

[21] Appl. No.: **31,985**

[22] Filed: **Dec. 12, 1994**

[52] U.S. Cl. **D8/51; D34/31**

[58] Field of Search **D8/51; D34/31;**
254/30, 31, 132, 133, 134

[56] **References Cited**

U.S. PATENT DOCUMENTS

D. 248,460	7/1978	Dunn et al.	D34/31
D. 312,196	11/1990	Norona	D8/88
D. 340,391	10/1993	Carpenter	D8/51
3,036,817	5/1962	Morici	D34/31
3,758,077	9/1973	Fisher	254/133
4,281,820	8/1981	Martin	254/133
5,009,394	4/1991	Marshall	254/30

5,224,687	7/1993	Geckler et al.	254/30
5,261,643	11/1993	Wurdack	254/133

Primary Examiner—Philip S. Hyder
Attorney, Agent, or Firm—Harold H. Dutton, Jr.; William C. L. Jamison; Diane F. Liebman

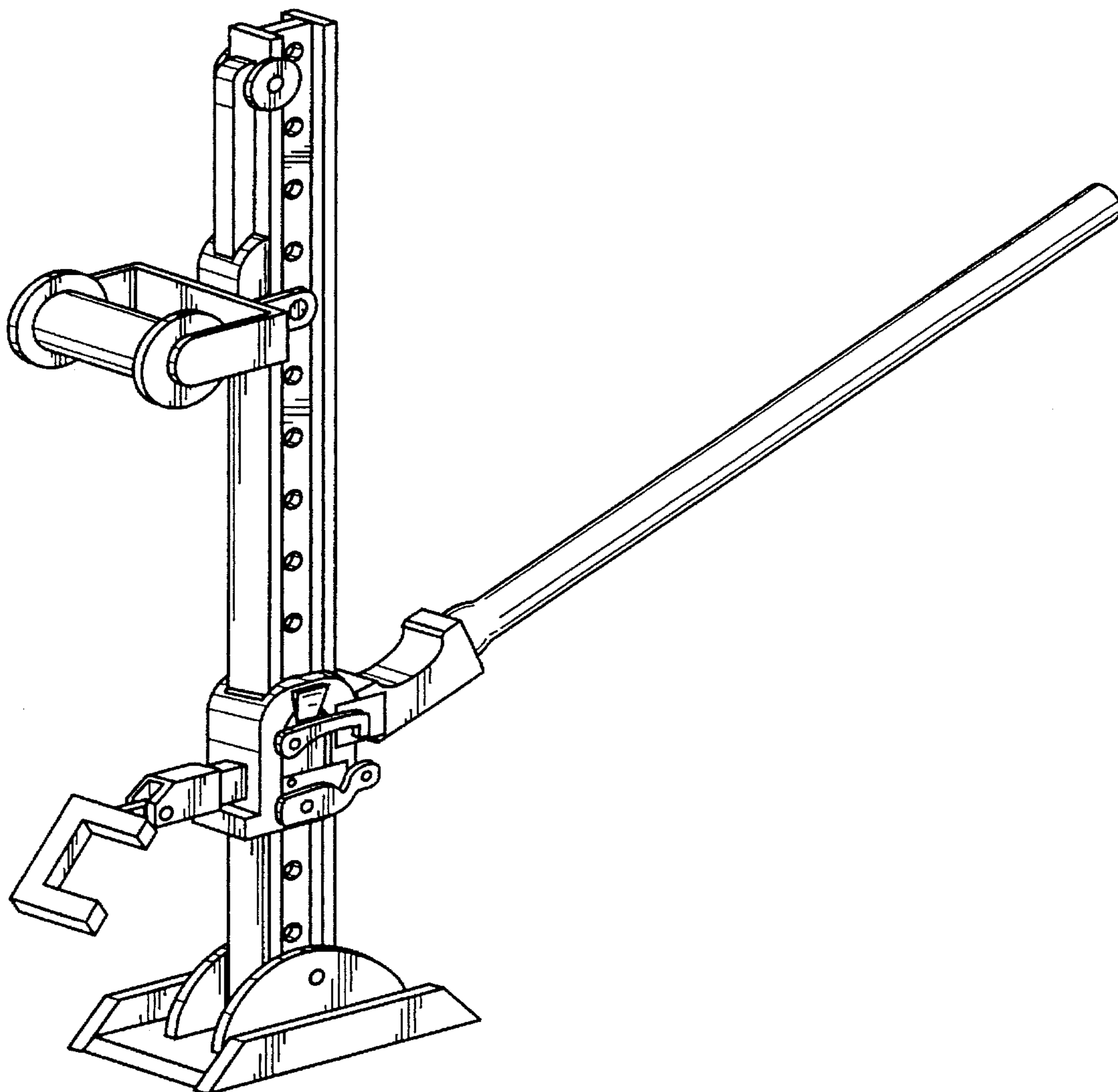
[57] **CLAIM**

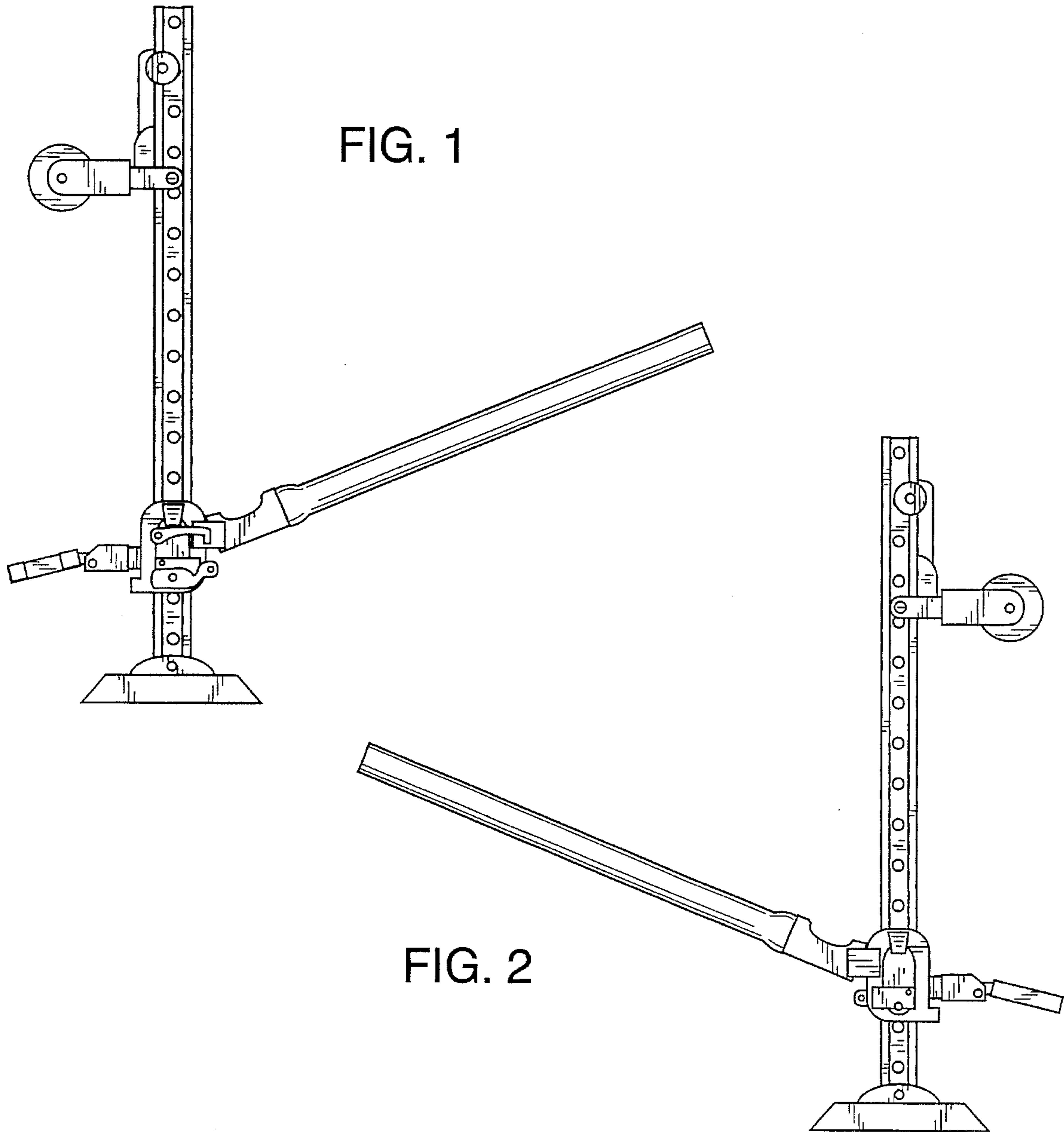
The ornamental design for a post puller, as shown and described.

DESCRIPTION

FIG. 1 is a left side view of a post puller showing my new design;
FIG. 2 is a right side view thereof;
FIG. 3 is a front view thereof;
FIG. 4 is a rear view thereof;
FIG. 5 is a top view thereof;
FIG. 6 is a bottom view thereof; and,
FIG. 7 is a perspective view thereof.

1 Claim, 4 Drawing Sheets





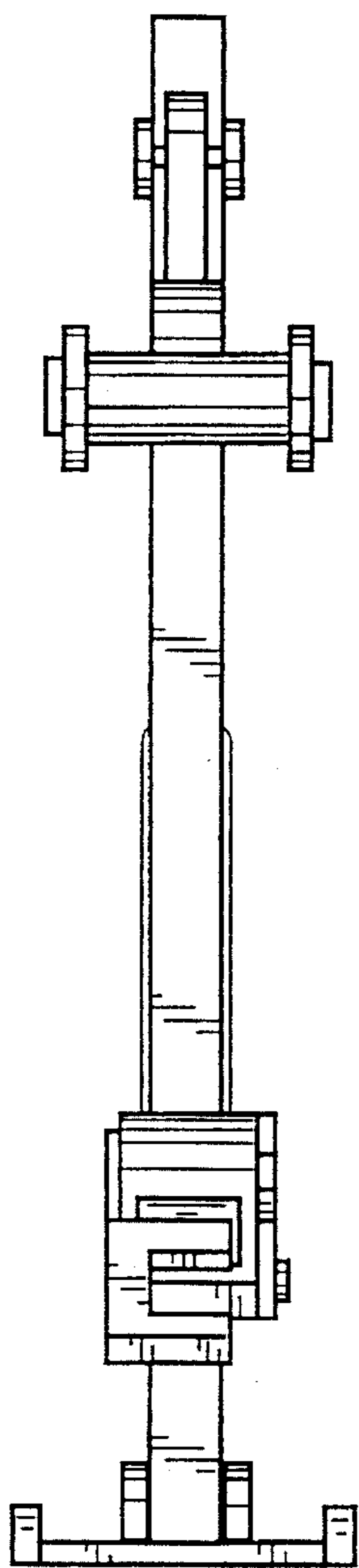


FIG. 3

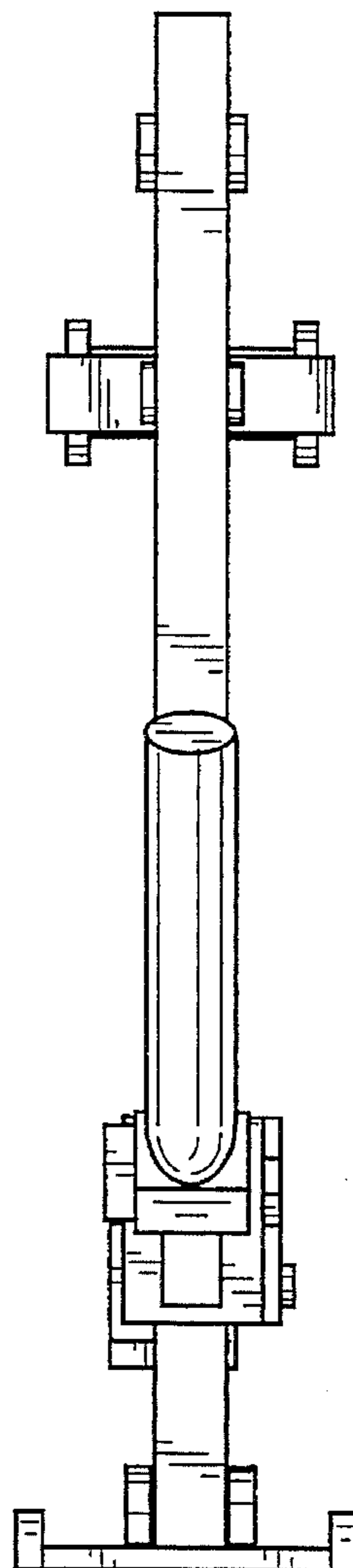


FIG. 4

FIG. 5

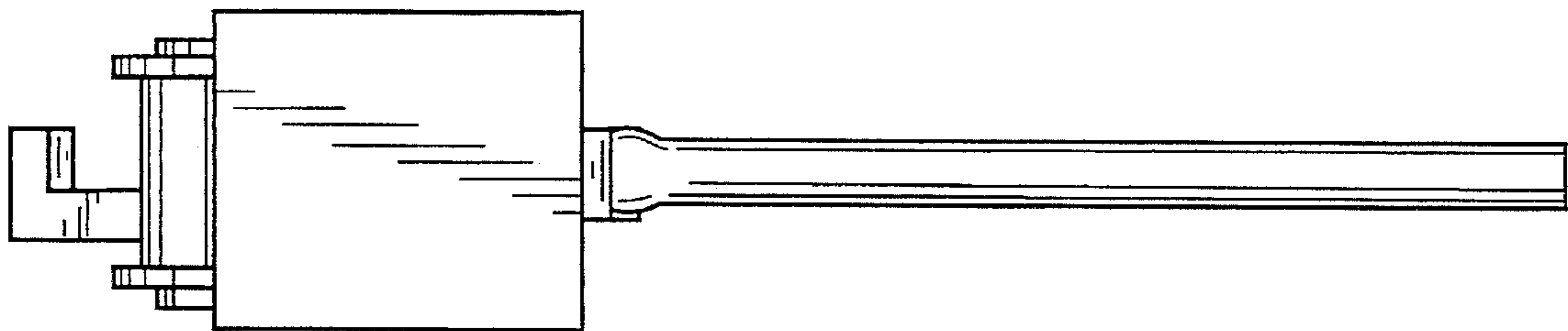
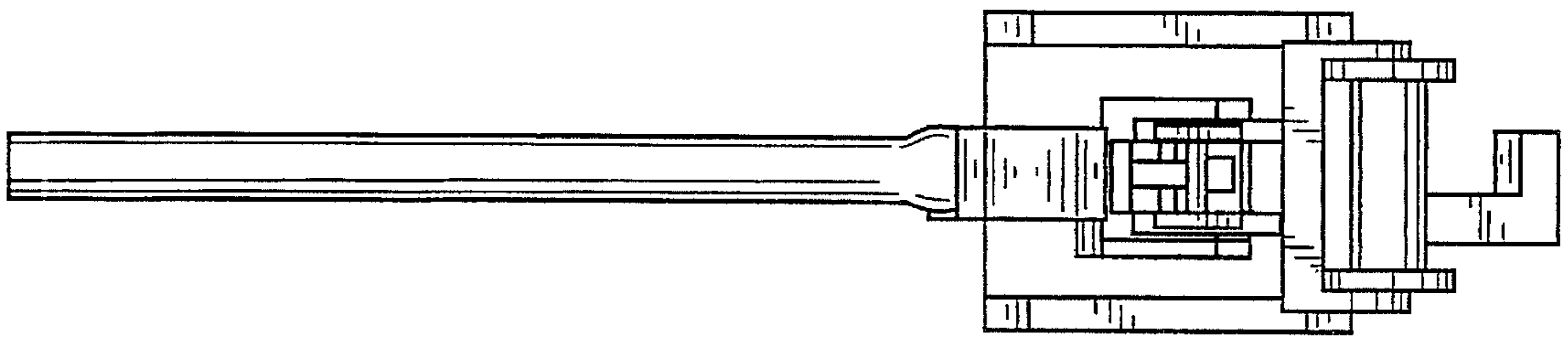


FIG. 6

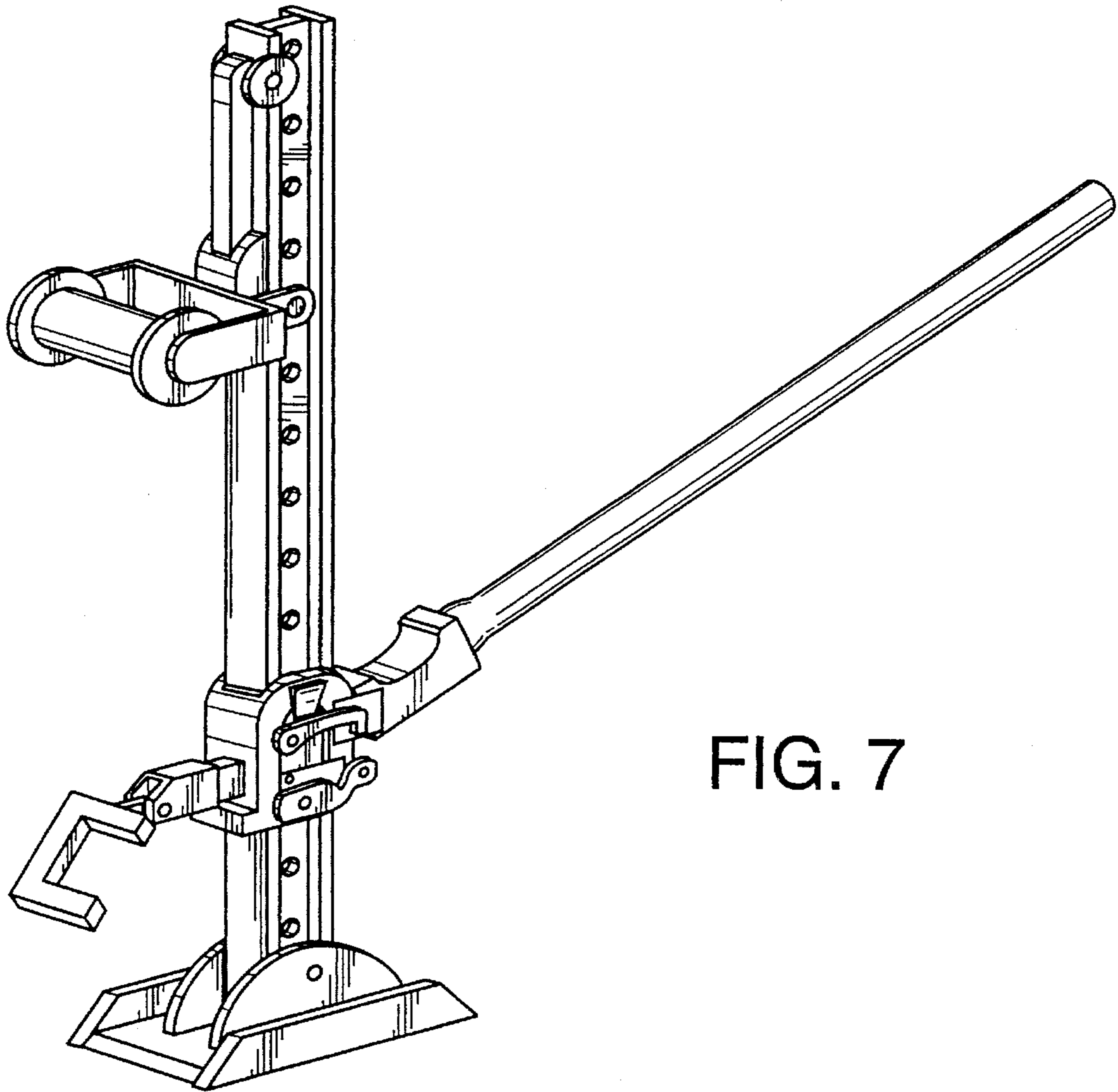


FIG. 7