



US00D372176S

United States Patent [19]

Meisner

[11] Patent Number: **Des. 372,176**

[45] Date of Patent: ****Jul. 30, 1996**

[54] **CUTTING BOARD WITH ADJUSTABLE MEASURING DEVICE**

[75] Inventor: **Edward H. Meisner**, Short Hills, N.J.

[73] Assignee: **Eagle Affiliates, Inc.**, Harrison, N.J.

[**] Term: **14 Years**

[21] Appl. No.: **35,964**

[22] Filed: **Mar. 10, 1995**

[52] U.S. Cl. **D7/698**

[58] Field of Search D7/698, 409, 550;
D10/46.2; 269/13, 15, 289 R

[56] **References Cited**

U.S. PATENT DOCUMENTS

D. 156,721	1/1950	Fulton	D10/46.2
D. 179,956	3/1957	Setecka	D10/46.3
D. 186,403	10/1959	Wilson	D7/673
D. 224,260	7/1972	Zeitner et al.	D10/46.2 X
D. 239,689	4/1976	Doman et al.	D7/698
D. 253,869	1/1980	Wells	D8/2
D. 255,530	6/1980	Daenen et al.	D10/46.3
D. 281,850	12/1985	Morin	D7/698
D. 284,058	6/1986	Kahn et al.	D7/587
D. 292,357	10/1987	Narain	D7/550
D. 304,277	10/1989	Wolff et al.	D7/698
D. 328,867	8/1992	Watt et al.	D10/46.2

D. 339,992	10/1993	Goldman	D10/46.2
2,012,520	8/1935	Rogers	D7/409 X
2,882,732	4/1959	Cercone	D10/46.2 X
3,598,164	8/1971	August	269/15
3,690,182	9/1972	Rodriguez	73/429
3,798,975	3/1974	Horst	D10/46.2 X
5,182,948	2/1993	Robbins et al.	73/429
5,363,755	11/1994	Liang	269/289 R X
5,366,208	11/1994	Benjamin	269/15 X

Primary Examiner—Nelson C. Holtje
Assistant Examiner—Caron D. Veynar
Attorney, Agent, or Firm—Caesar, Rivise, Bernstein, Cohen & Pokotilow, Ltd.

[57] **CLAIM**

The ornamental design for a cutting board with adjustable measuring device, as shown and described.

DESCRIPTION

FIG. 1 is an isometric view of a cutting board with adjustable measuring device showing my new design;
FIG. 2 is a top view of the cutting board of FIG. 1;
FIG. 3 is a front side view of the cutting board of FIG. 1;
FIG. 4 is a rear side view of the cutting board of FIG. 1;
FIG. 5 is a right side view of the cutting board of FIG. 1;
FIG. 6 is a left side view of the cutting board of FIG. 1; and,
FIG. 7 is a bottom view of the cutting board of FIG. 1.

1 Claim, 2 Drawing Sheets

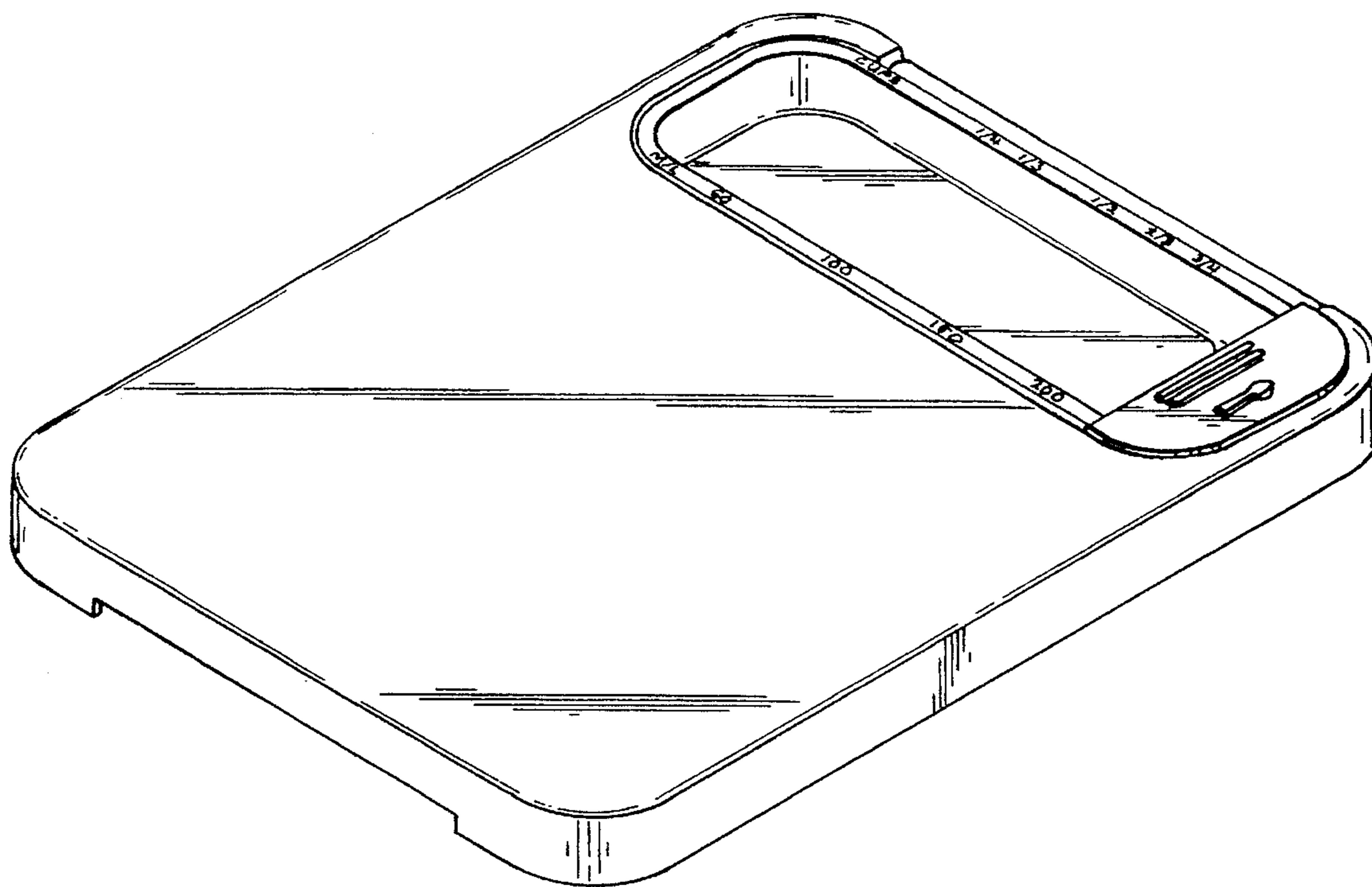


FIG. 1

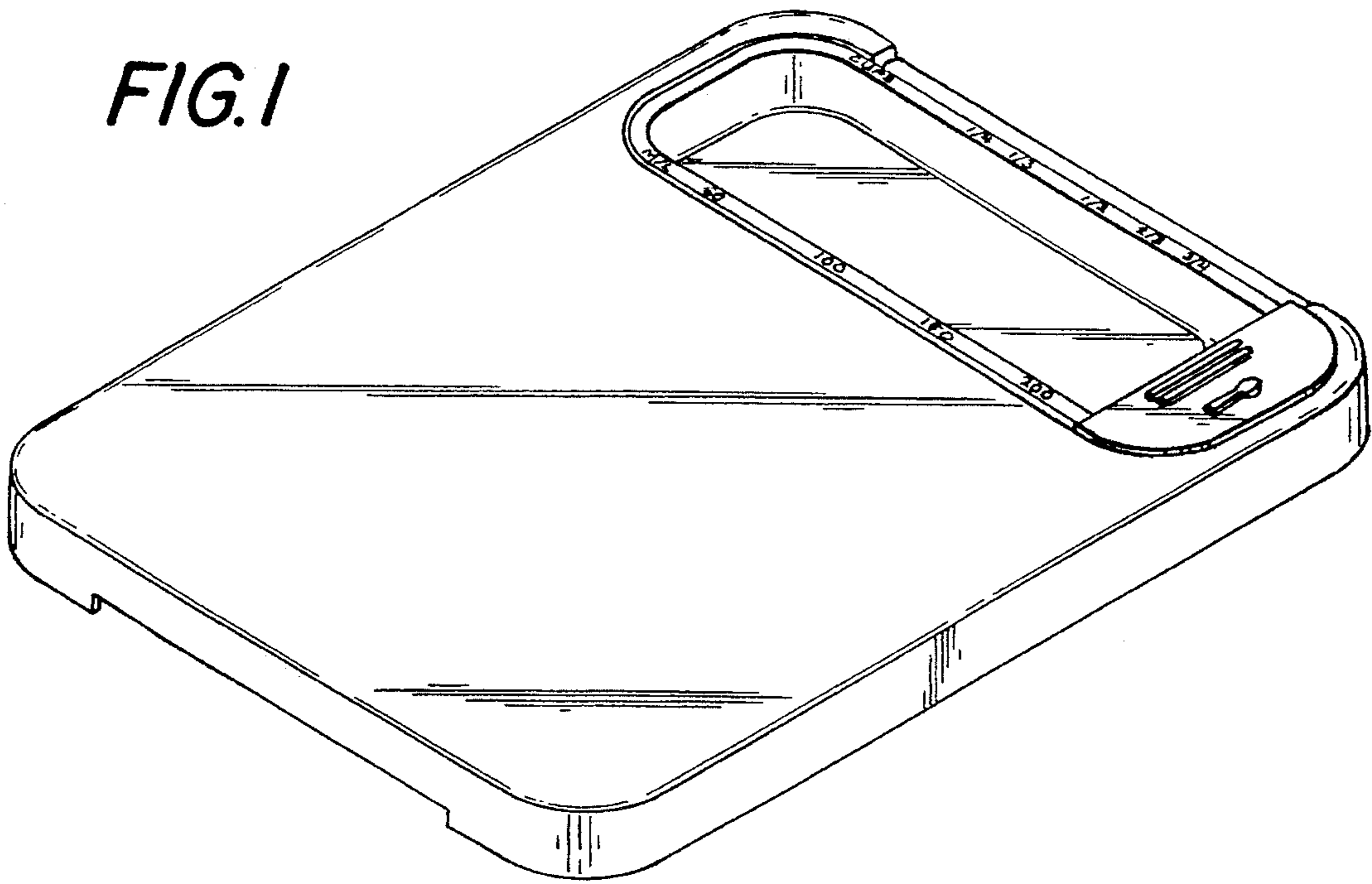


FIG. 2

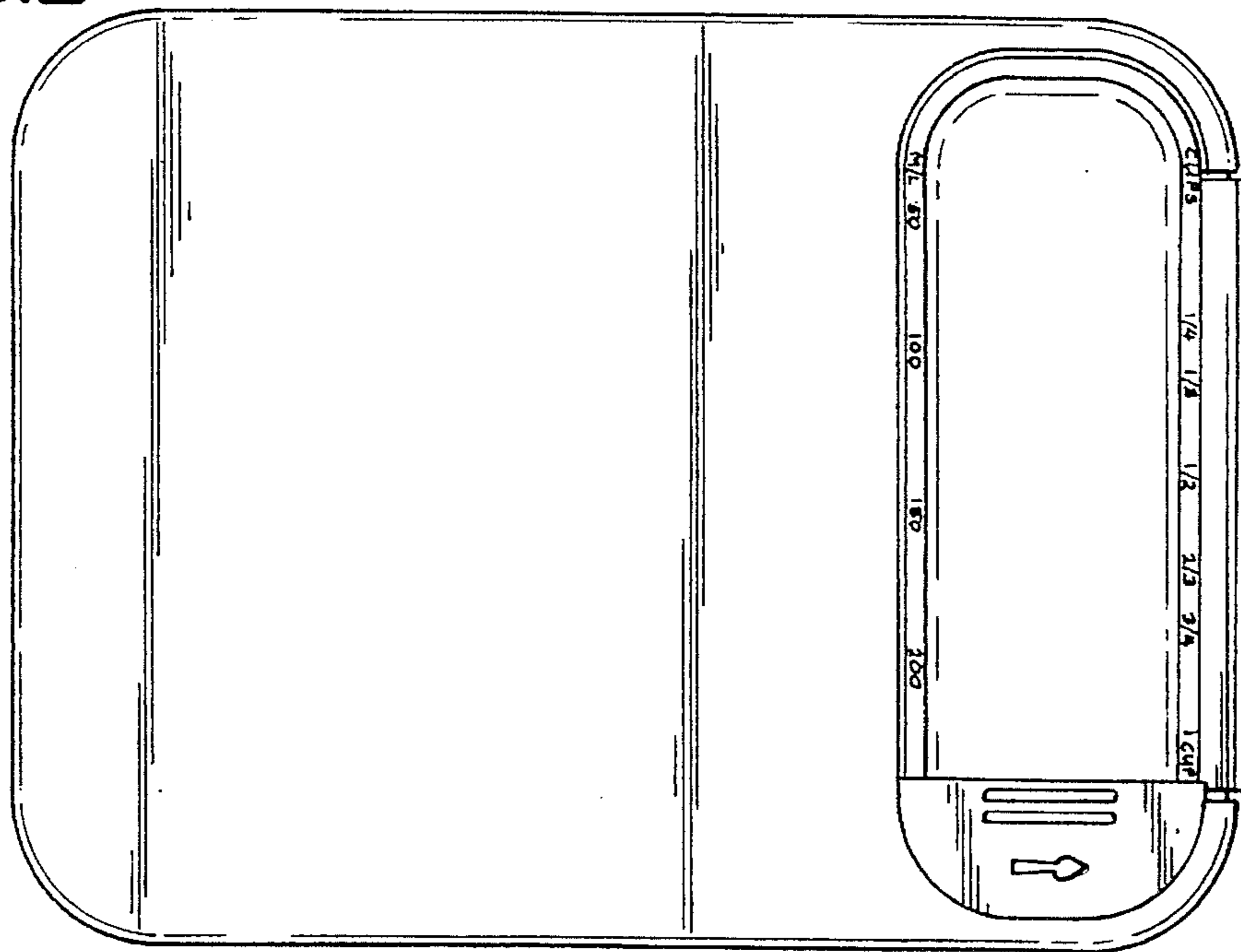


FIG.3

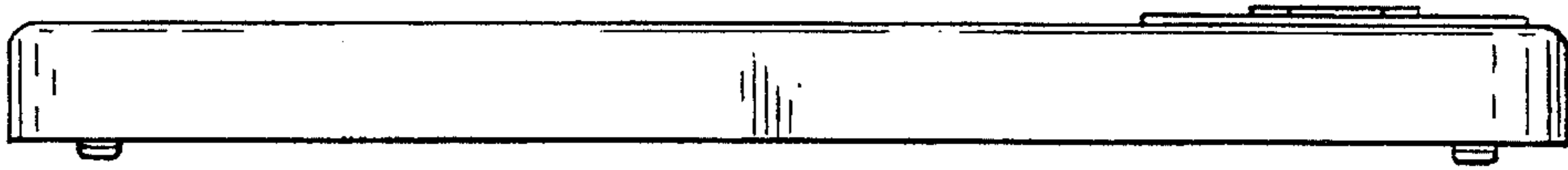


FIG.4

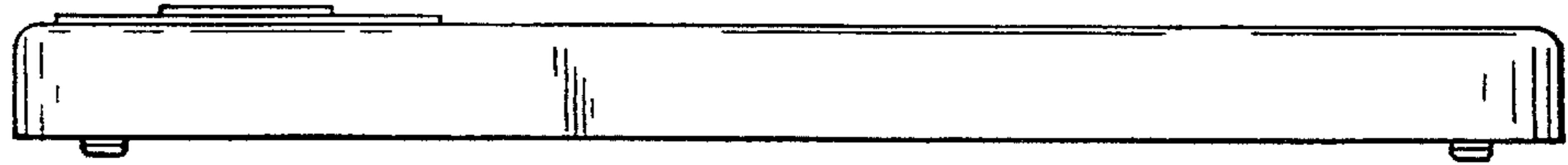


FIG.5

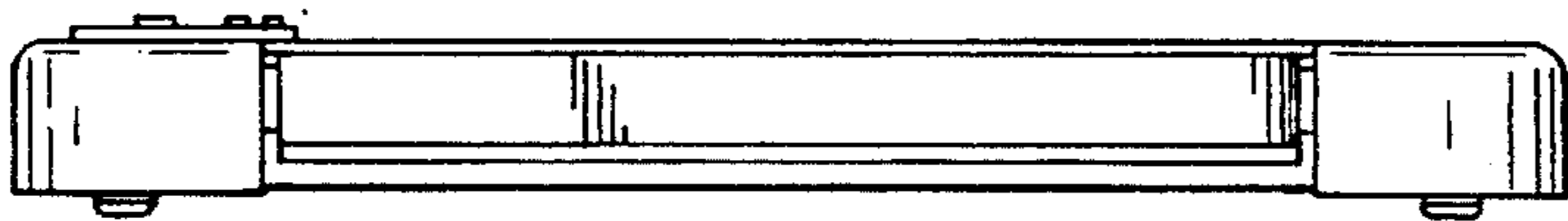


FIG.6

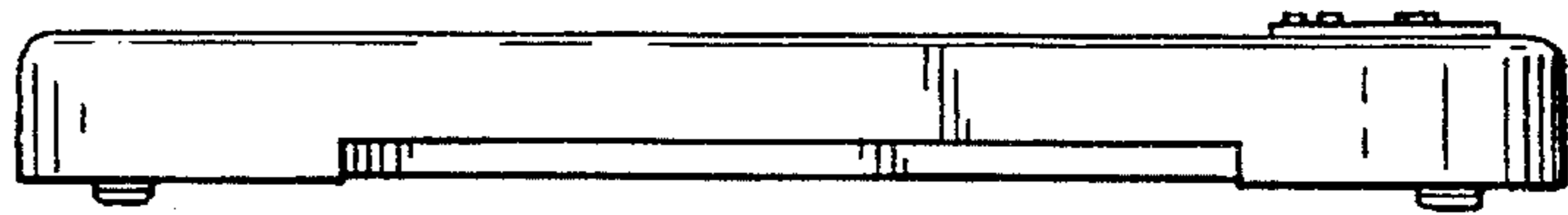


FIG.7

