



US00D372175S

United States Patent [19] Prisbrey

[11] Patent Number: **Des. 372,175**

[45] Date of Patent: ****Jul. 30, 1996**

[54] **PINENUT SHELLER**

[76] Inventor: **Terry Prisbrey**, Box 63, Fielding, Utah 84311

[**] Term: **14 Years**

[21] Appl. No.: **31,929**

[22] Filed: **Dec. 8, 1994**

[52] U.S. Cl. **D7/680**

[58] Field of Search D7/680; 30/120.1-120.5; 99/568, 569, 571, 581

[56] **References Cited**

U.S. PATENT DOCUMENTS

D. 263,106 2/1982 Norton D7/680
3,621,898 11/1971 Turner D7/680 X

Primary Examiner—Terry A. Wallace
Attorney, Agent, or Firm—Harold H. Dutton, Jr.; William C. L. Jamison; Diane F. Liebman

[57] **CLAIM**

The ornamental design for a pinenut sheller, as shown.

DESCRIPTION

FIG. 1 is a front perspective view of a pinenut sheller showing my new design;
FIG. 2 is a rear perspective view thereof;
FIG. 3 is a right side view thereof;
FIG. 4 is a left side view thereof;
FIG. 5 is a top plan view thereof; and,
FIG. 6 is a bottom plan view thereof.

1 Claim, 4 Drawing Sheets

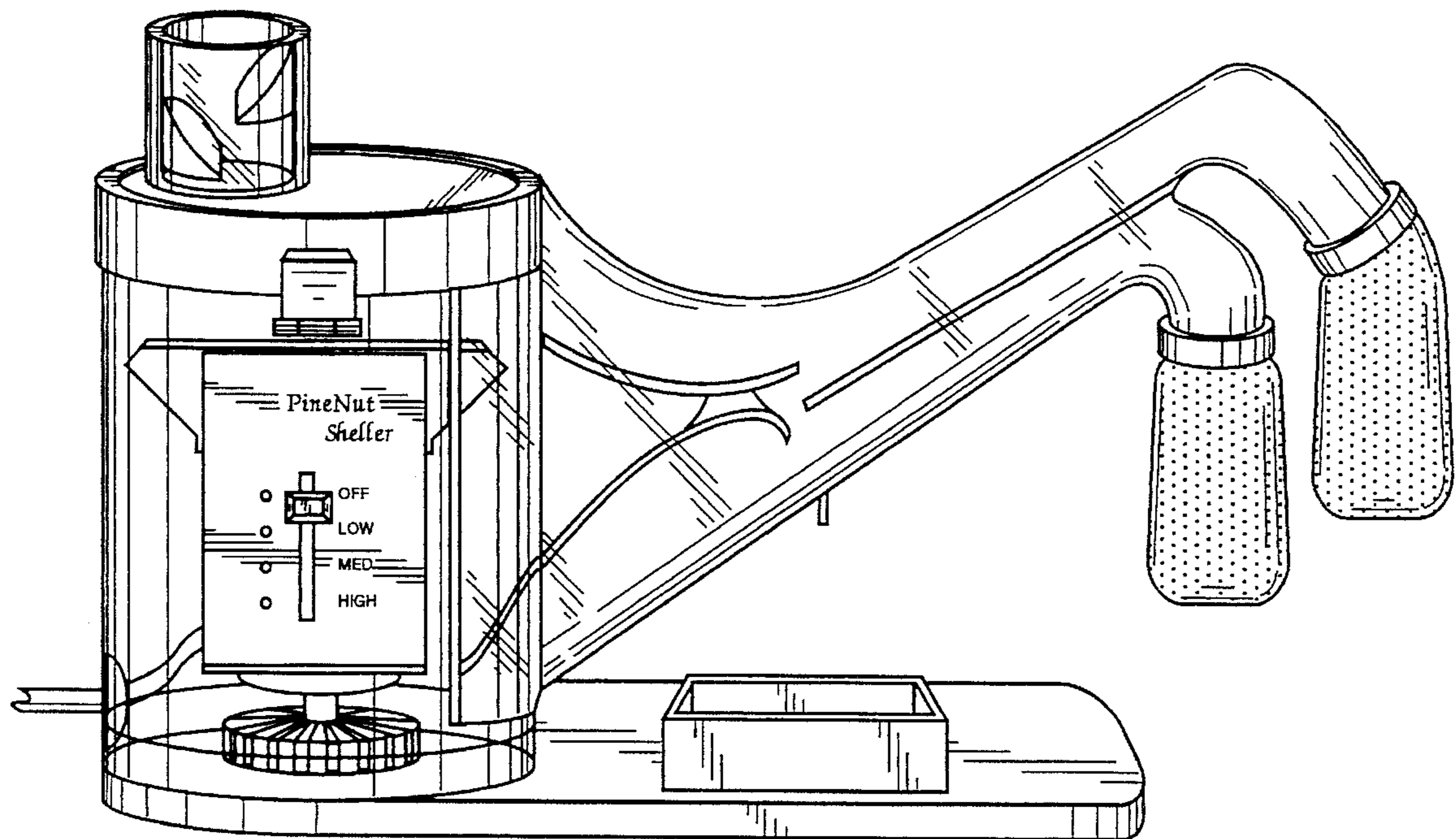
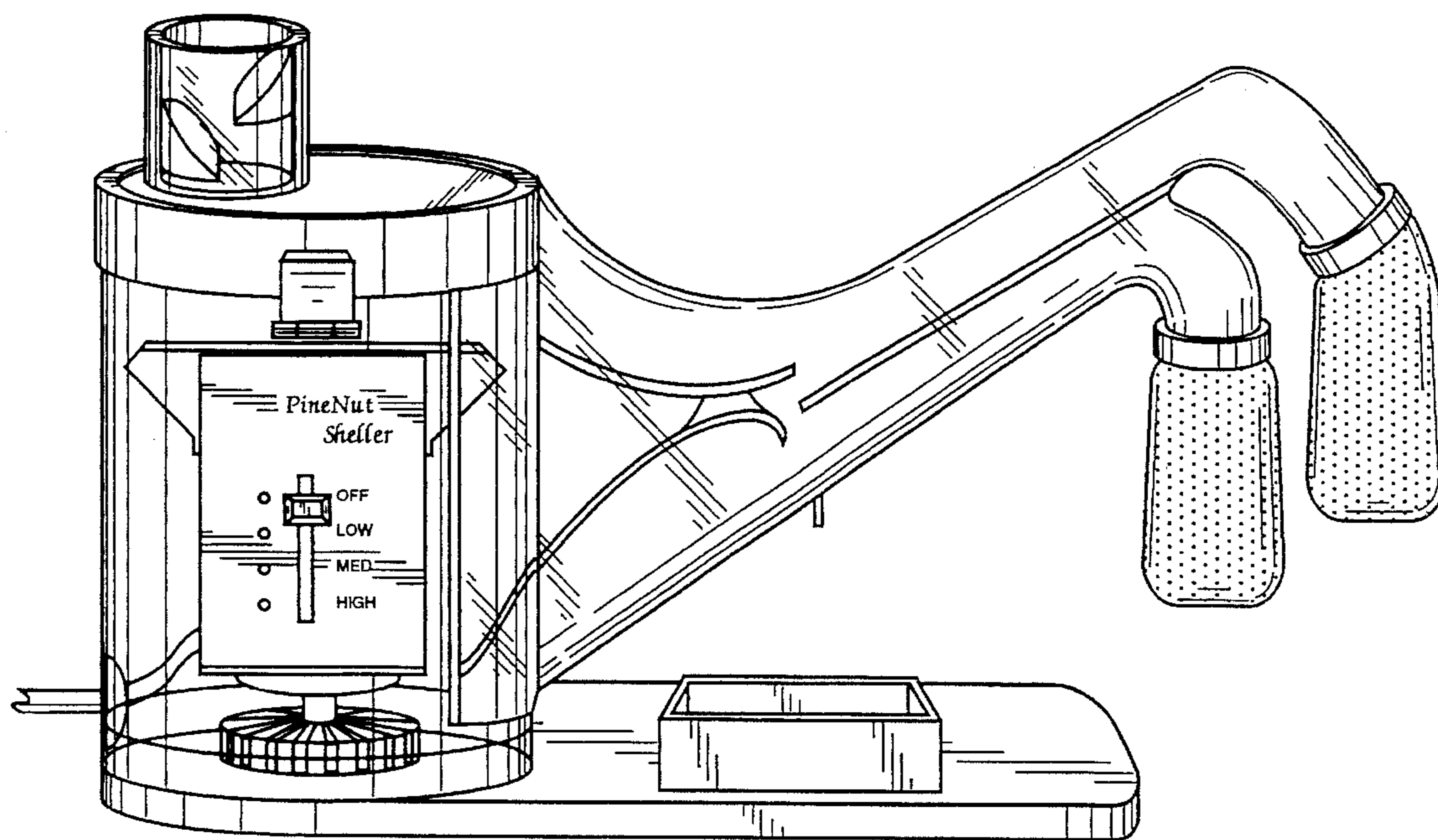


FIG. 1



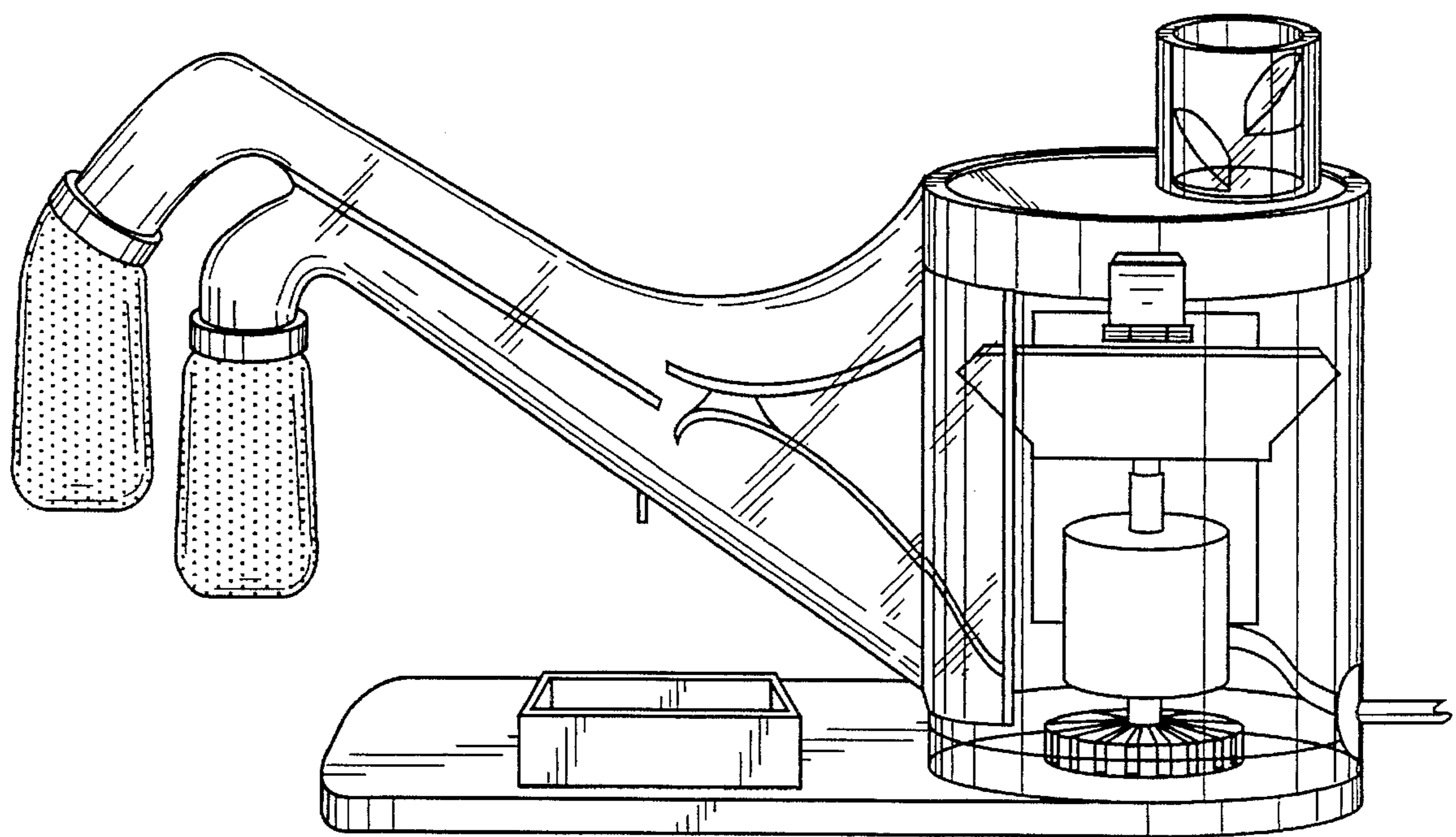


FIG. 2

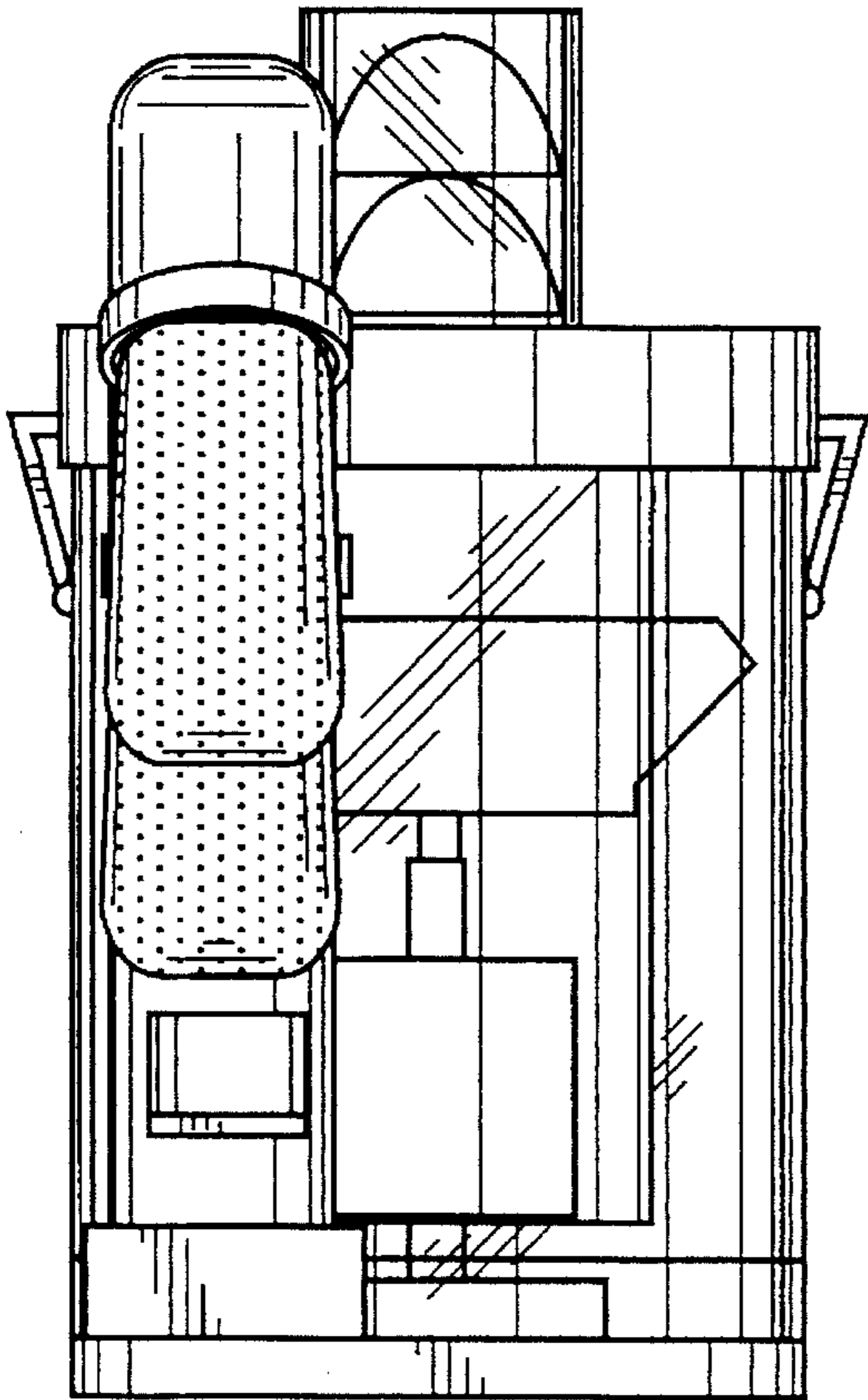


FIG. 3

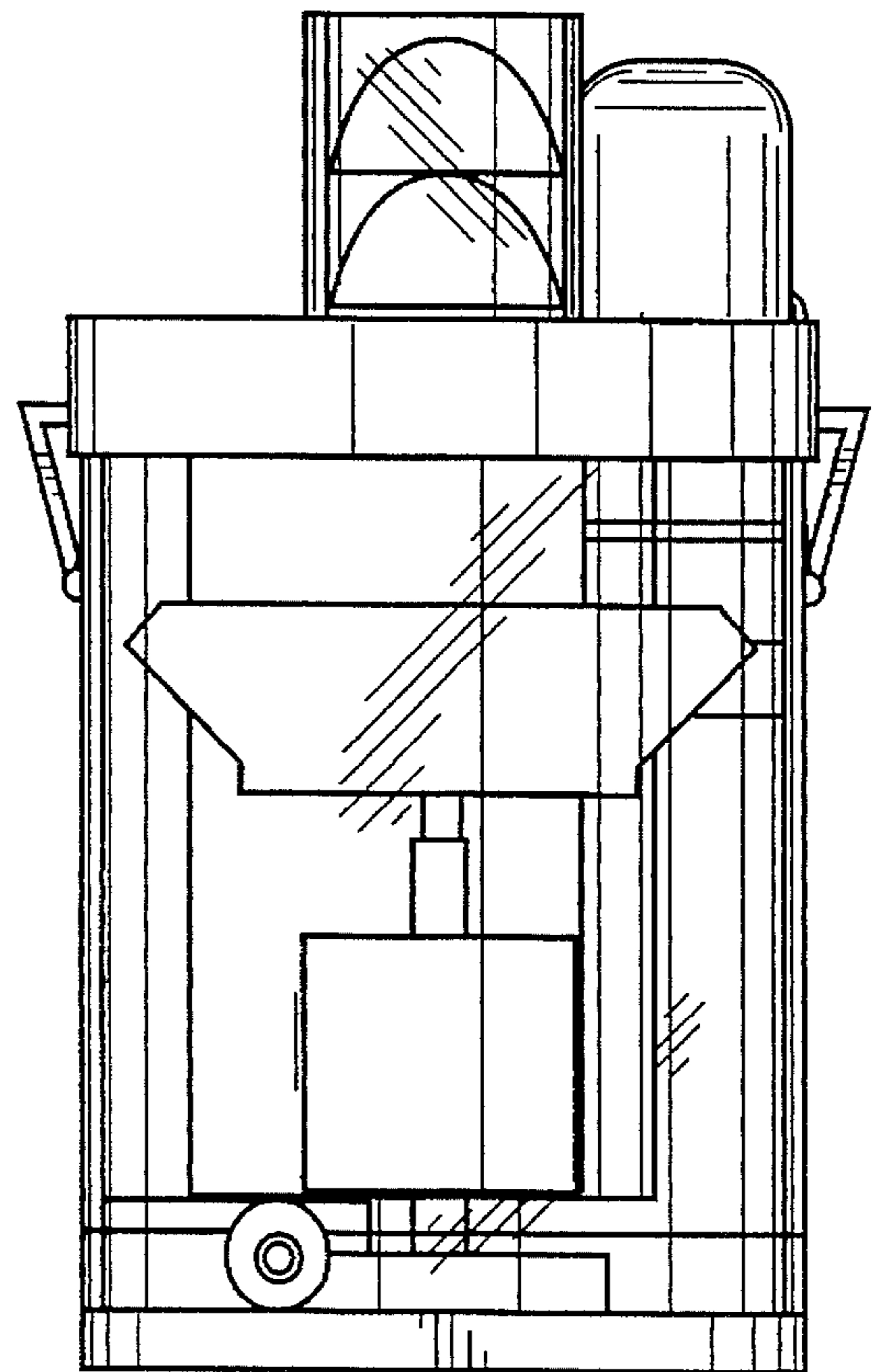


FIG. 4

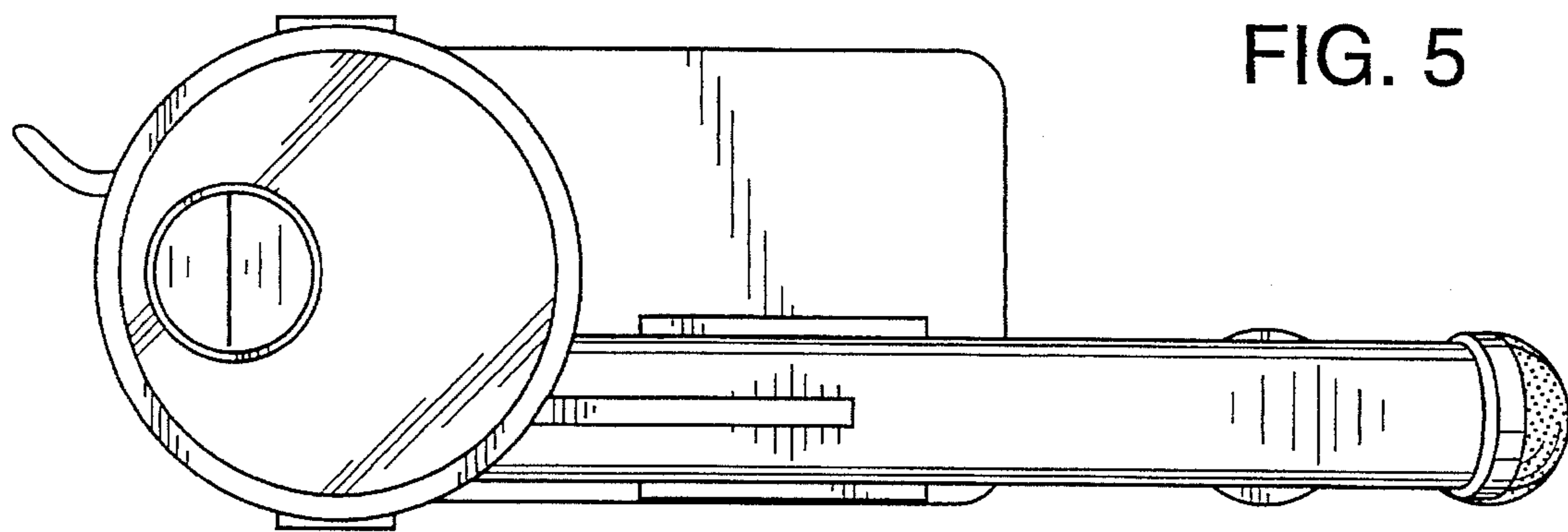


FIG. 5

FIG. 6

