



US00D372171S

# United States Patent [19]

Romero et al.

[11] Patent Number: **Des. 372,171**

[45] Date of Patent: **\*\*Jul. 30, 1996**

[54] **COMBINED STORAGE AND DISPENSING CONTAINER**

[75] Inventors: **Johnie Romero**, Greenwell Springs, La.; **Andrew R. Weber**, Chatham, N.J.; **Helene Paulson**, New York; **Arthur T. Sempliner**, Douglaston, both of N.Y.

[73] Assignee: **Community Coffee Company, Inc.**, Baton Rouge, La.

[\*\*] Term: **14 Years**

[21] Appl. No.: **37,782**

[22] Filed: **Apr. 20, 1995**

[52] U.S. Cl. .... **D7/589**

[58] Field of Search ..... D6/515; D7/300, D7/306, 307, 589; 222/61, 105, 181.1, 185.1, 152, 386, 387

[56] **References Cited**

**U.S. PATENT DOCUMENTS**

D. 104,134	4/1937	Dickson .....	D6/515
D. 328,007	7/1992	Mondry et al. ....	D7/589
1,936,857	11/1933	Reisdorf .	
2,110,518	3/1938	Becker .	
3,204,833	9/1965	Weitzner .....	D7/589 X
4,016,999	4/1977	Denzer .	
4,218,967	8/1980	Batchelor .	
4,360,129	11/1982	Brokaw et al. .	

4,362,095	12/1982	Wheatley .	
4,505,407	3/1985	Johnson .....	222/181.1
4,569,463	2/1986	Pellegrino .....	D7/589 X
5,050,778	9/1991	Corrado et al. .	
5,199,472	4/1993	Rollison .	

**OTHER PUBLICATIONS**

Jan Thomas, "Bean Bins and Display Cases: New Ideas and an Emphasis on Customization," pp. 20-24, Jan. 1995, *World Coffee & Tea*.

Advertisement for Brothers Gourmet Coffee device undated.

*Primary Examiner*—Terry A. Wallace  
*Attorney, Agent, or Firm*—N. Elton Dry

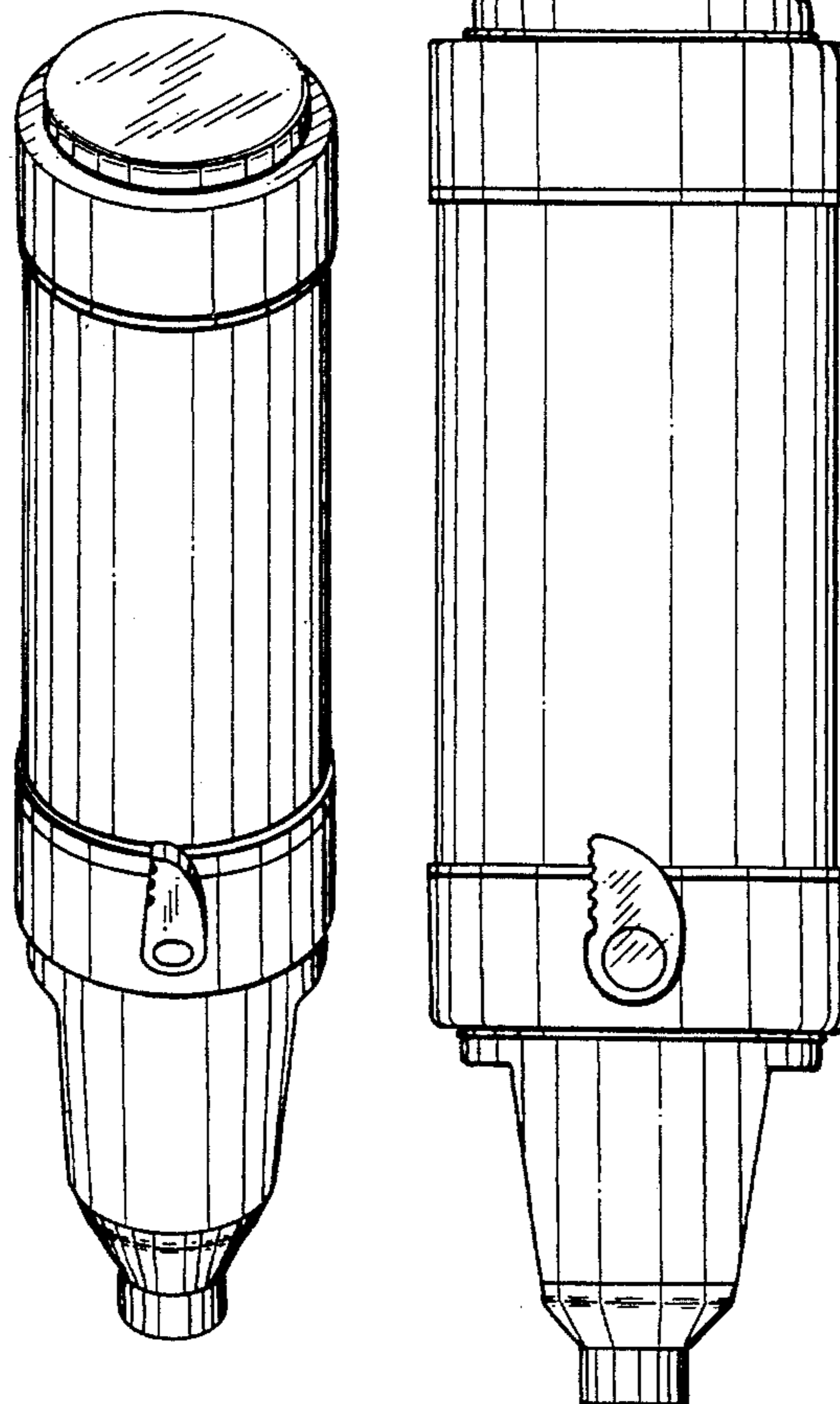
[57] **CLAIM**

The ornamental design of a combined storage and dispensing container, as shown and described.

**DESCRIPTION**

FIG. 1 is a perspective view of a combined storage and dispensing container showing our new design; FIG. 2 is a front elevation view thereof; FIG. 3 is a top plan view thereof; FIG. 4 is a bottom plan view thereof; FIG. 5 is a left side elevation view thereof; FIG. 6 is a right side elevation view thereof; and, FIG. 7 is a rear elevation view thereof.

**1 Claim, 6 Drawing Sheets**



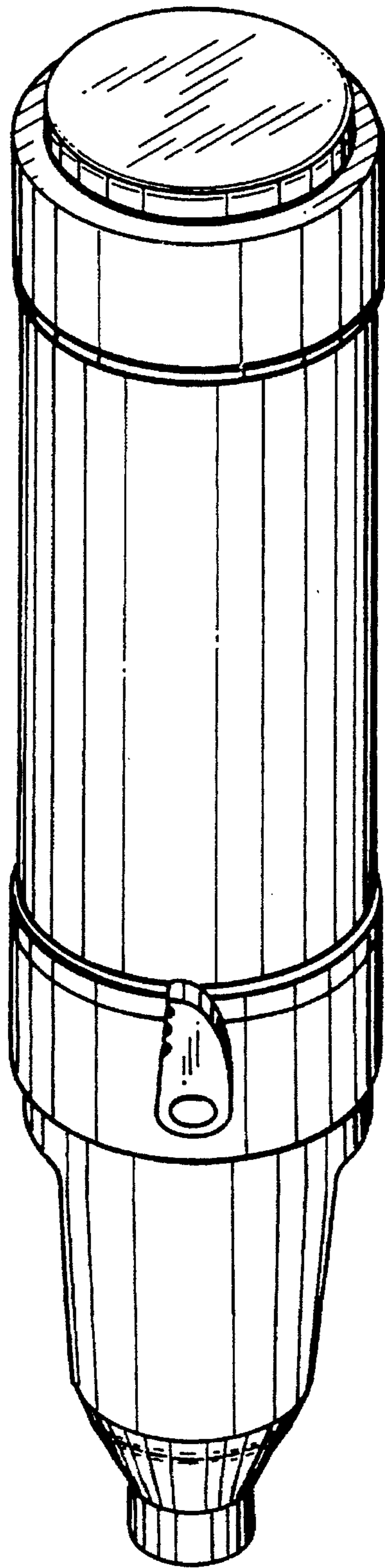


FIG. 1

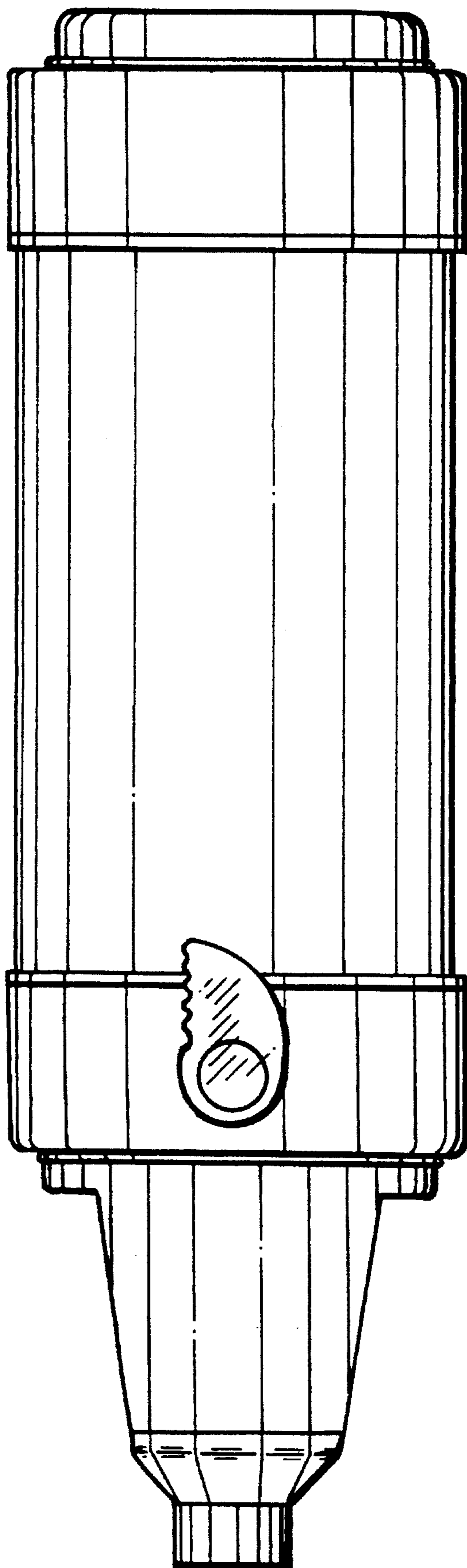


FIG. 2

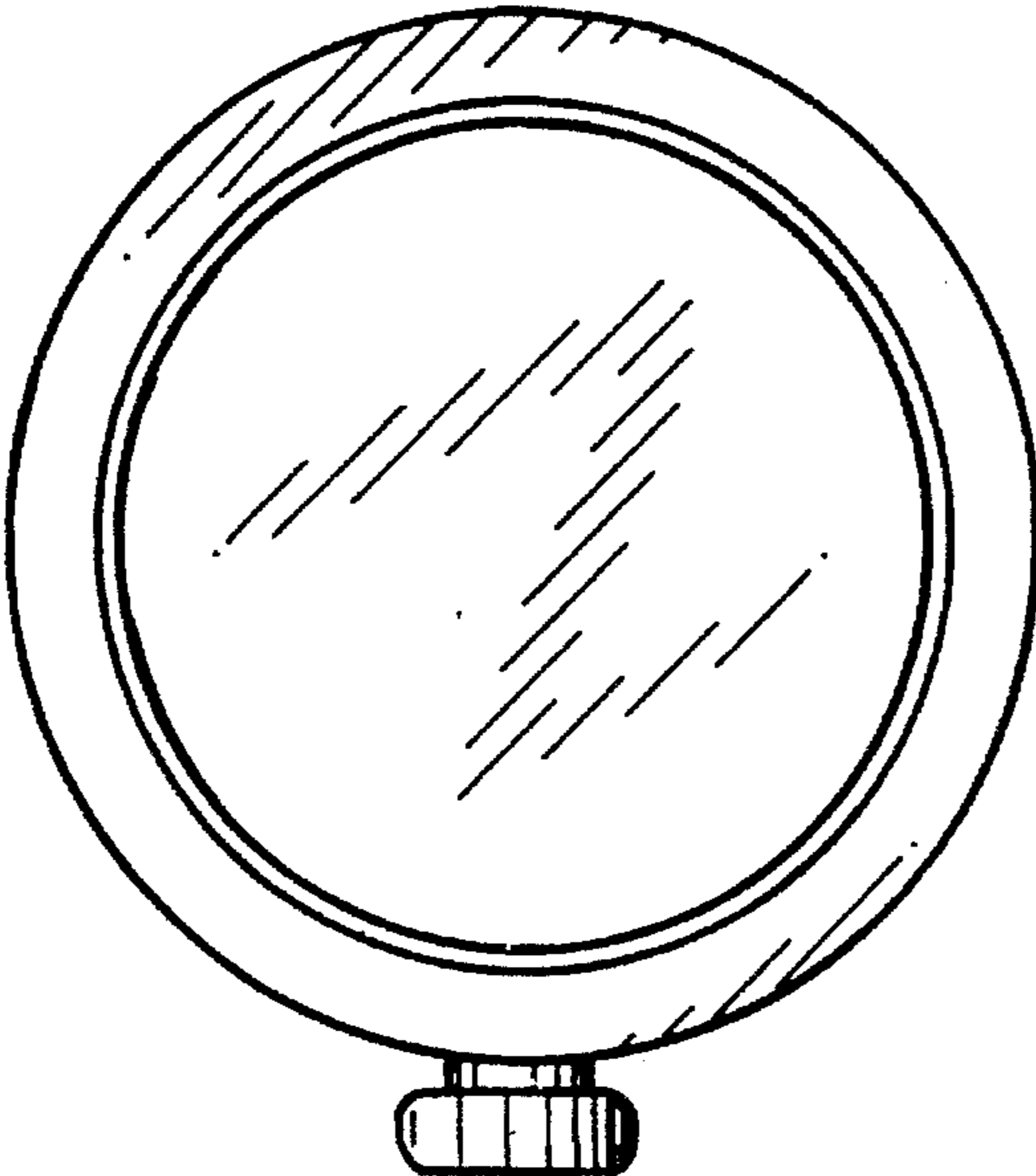


FIG. 3

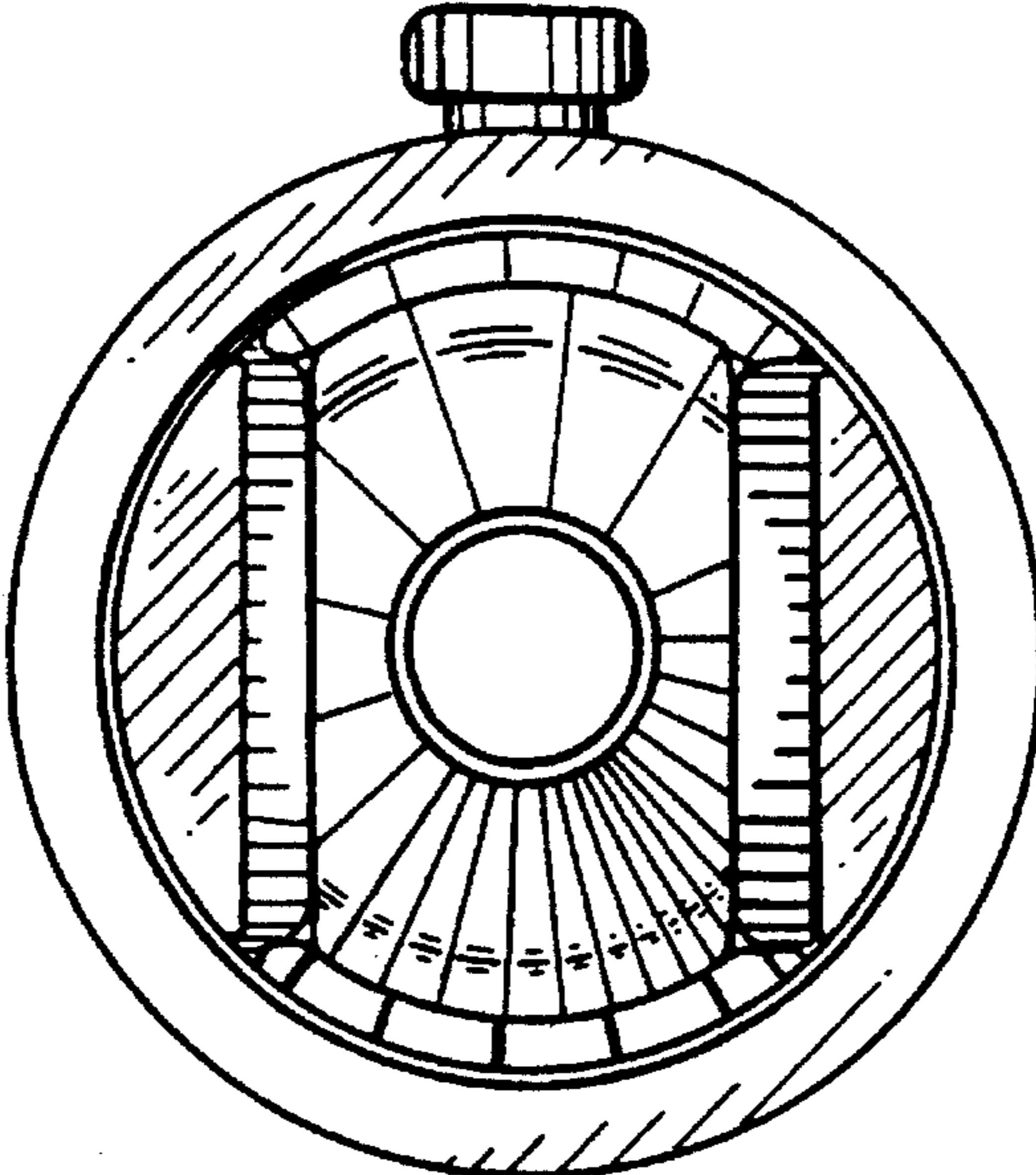


FIG. 4

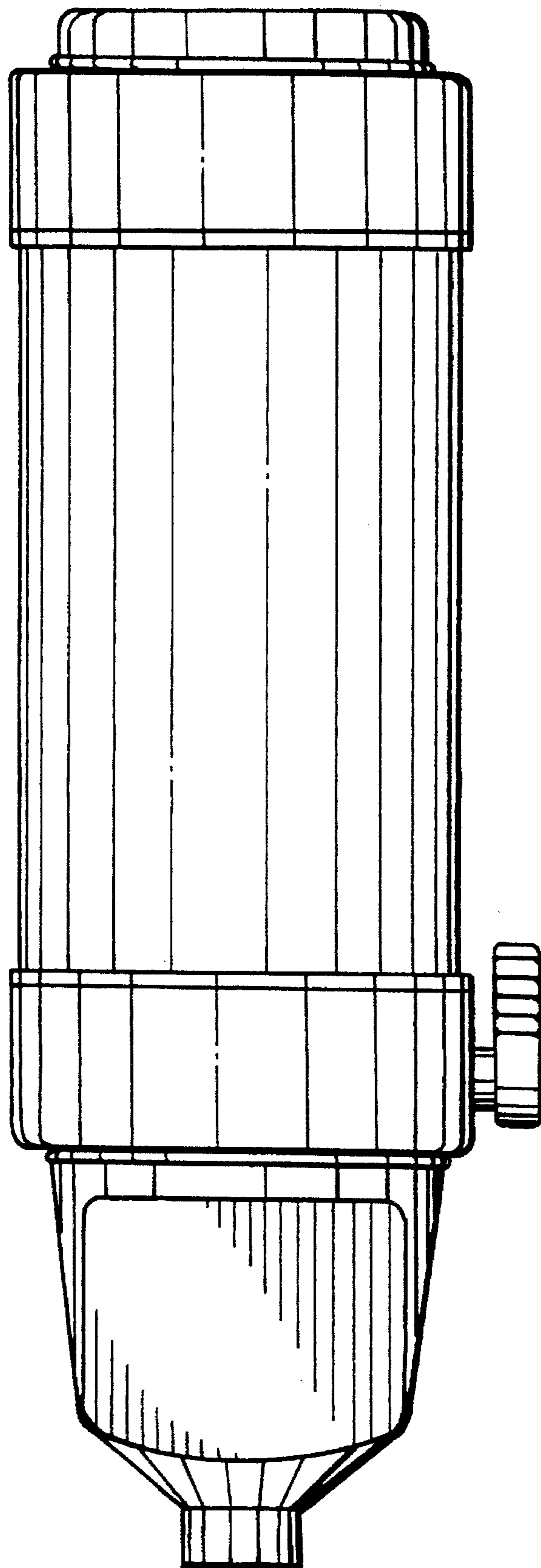


FIG. 5



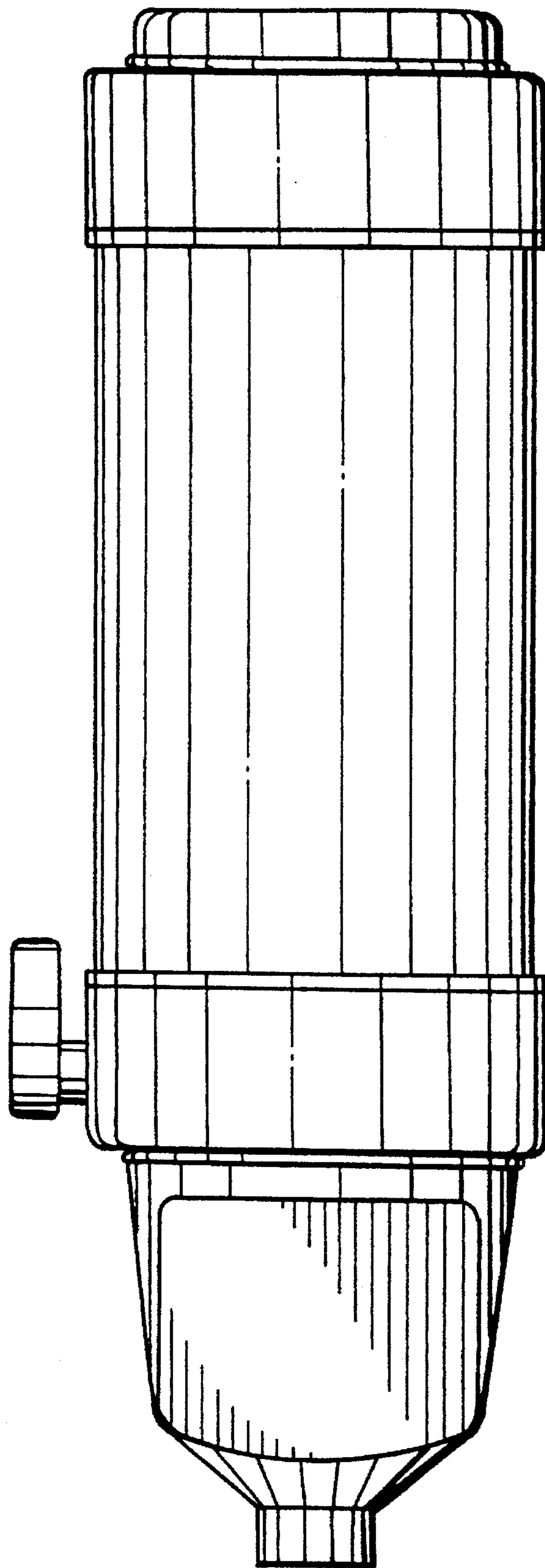


FIG. 6

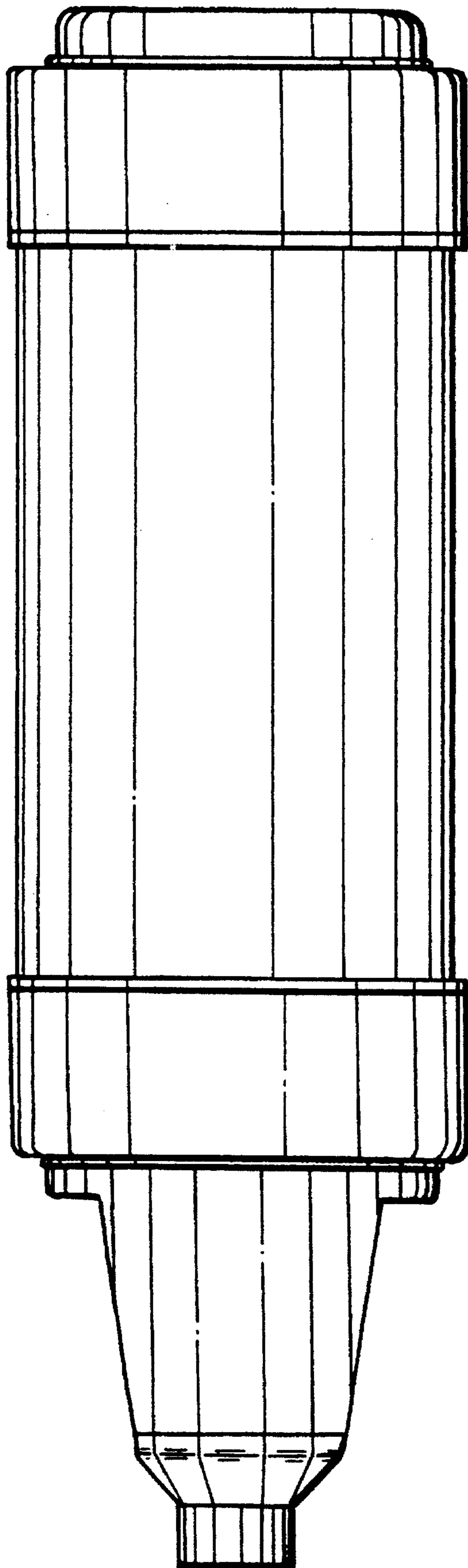


FIG. 7