



US00D372170S

# United States Patent [19]

Ahern, Jr.

[11] Patent Number: **Des. 372,170**

[45] Date of Patent: **\*\*Jul. 30, 1996**

- [54] **DIVIDED FOOD DISH**
- [75] Inventor: **Richard B. Ahern, Jr.**, Akron, Ohio
- [73] Assignee: **Rubbermaid Incorporated**, Wooster, Ohio
- [\*\*] Term: **14 Years**
- [21] Appl. No.: **37,563**
- [22] Filed: **Apr. 17, 1995**
- [52] U.S. Cl. .... **D7/549**; D7/546; D7/543; D7/553; D7/555
- [58] **Field of Search** ..... D7/508, 555, 361, D7/354, 560, 565, 540, 538, 502, 506, 547, 548, 549, 550, 551, 552, 553, 554, 556, 557, 584, 585, 588, 586, 571, 539, 523, 543, 544, 542, 505, 545; D9/341, 425, 428, 429; 220/555, 575, 427

4,795,056 1/1989 Meyers ..... 220/306  
 4,809,868 3/1989 Pomroy ..... 220/260

### OTHER PUBLICATIONS

Catalog page, Food storage containers and lids; Eagle Affiliates Inc., 101-01 Avenue D, Brooklyn, New York 11236. Publication date 1992.  
 Page 37, Food storage containers and lids; Anchor Hocking Glass Company, a Newell Company, Lancaster, Ohio 43130. Published at least as early as Jan., 1995.  
 Page 41, Food storage containers and lids; Tupperware Home Parties, P.O. Box 2353, Orlando, Florida. Published at least as early as Jan., 1995.  
 Pages 12 and 14, Food storage containers and lids; Tupperware Home Parties, P.O. Box 2353, Orlando, Florida. Publication date Fall 1992.  
 Pages 12 and 13, Food storage containers and lids; Tucker Housewares, a Mobil Company, 25 Tucker Drive, Leominster, Massachusetts 01453. Publication date 1993.  
 Page 12, Food storage containers and lids; Curver b.v., Takkebijsters 75, Postbus 6810, 4802 HV Breda, The Netherlands. Publication date 1992.

### [56] References Cited

#### U.S. PATENT DOCUMENTS

- D. 137,961 5/1944 Kapner ..... D7/543 X
- D. 233,202 10/1974 Chernak ..... D7/545
- D. 246,342 11/1977 Yonkers ..... D7/1
- D. 264,913 6/1982 Pomroy ..... D7/545
- D. 287,559 1/1987 Daenen et al. .... D7/586
- D. 305,409 1/1990 Michaud et al. .... D9/425
- D. 343,338 1/1994 Bucher et al. .... D7/543
- D. 344,875 3/1994 Pomroy et al. .... D7/550 X
- D. 346,934 5/1994 Littlejohn ..... D7/549
- D. 350,669 9/1994 Conti ..... D7/360
- D. 350,880 9/1994 Van Valkenburg et al. .... D7/629
- D. 352,202 11/1994 Campbell et al. .... D7/550 X
- D. 352,203 11/1994 Campbell et al. .... D7/553
- D. 352,423 11/1994 Laib ..... D7/538
- D. 354,436 1/1995 Krupa ..... D9/423
- D. 357,161 4/1995 Booten ..... D7/605
- D. 360,808 8/1995 Meier et al. .... D7/550
- D. 363,192 10/1995 Reeves et al. .... D7/553
- 2,549,440 4/1951 Erro ..... D7/555 X
- 3,391,816 7/1968 Swett ..... 220/22
- 3,675,811 7/1972 Artz ..... 220/575
- 3,957,097 5/1976 Swett ..... 150/0.5
- 4,499,998 2/1985 Carlson ..... 206/541
- 4,561,562 12/1985 Trombly ..... 220/306
- 4,765,506 8/1988 Fishman et al. .... 220/355

(List continued on next page.)

*Primary Examiner*—M. N. Pandozzi  
*Attorney, Agent, or Firm*—Richard B. O'Planick; Lisa B. Riedesel

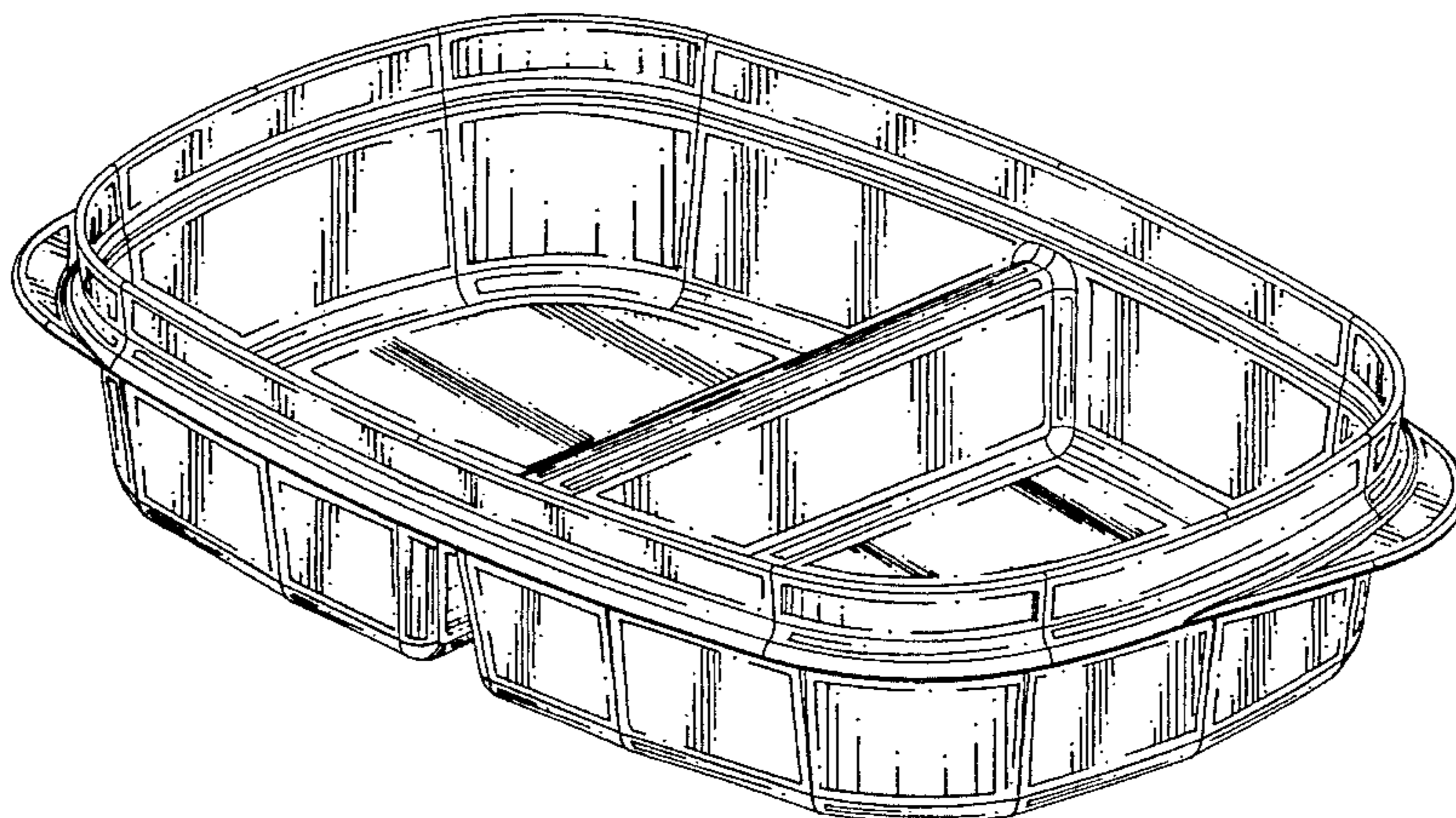
### [57] CLAIM

The ornamental design for a divided food dish, as shown and described.

### DESCRIPTION

FIG. 1 is a top right front perspective view of a divided food dish showing our new design;  
 FIG. 2 is a top plan view thereof;  
 FIG. 3 is a bottom plan view thereof;  
 FIG. 4 is a right side elevational view thereof; the left side elevational view being a mirror image; and,  
 FIG. 5 is a front elevational view thereof; the rear elevational view being a mirror image.

1 Claim, 4 Drawing Sheets



**OTHER PUBLICATIONS**

Pages 20 and 23, Food storage containers and lids; Dupol-Rubbermaid GmbH, An der Trift 63, D-6072 Dreieich, West Germany. Publication date 1989.

Page 13, Food storage containers and lids; Rubbermaid Incorporated, 1147 Akron Road, Wooster, Ohio 44691. Publication date 1986.

Catalog page, Food storage containers and lids; Rubbermaid Incorporated, 1147 Akron Road, Wooster, Ohio 44691. Publication date 1992.

Catalog page, Food storage containers and lids; Rubbermaid

Incorporated, 1147 Akron Road, Wooster, Ohio 44691. Publication date 1991.

Catalog page, Food storage containers and lids; Rubbermaid Incorporated, 1147 Akron Road, Wooster, Ohio 44691. Publication date 1995.

Catalog page, Food storage containers and lids; Rubbermaid Incorporated, 1147 Akron Road, Wooster, Ohio 44691. Publication date 1995.

Catalog page, Food storage containers and lids; Rubbermaid Incorporated, 1147 Akron Road, Wooster, Ohio 44691. Publication date 1992.

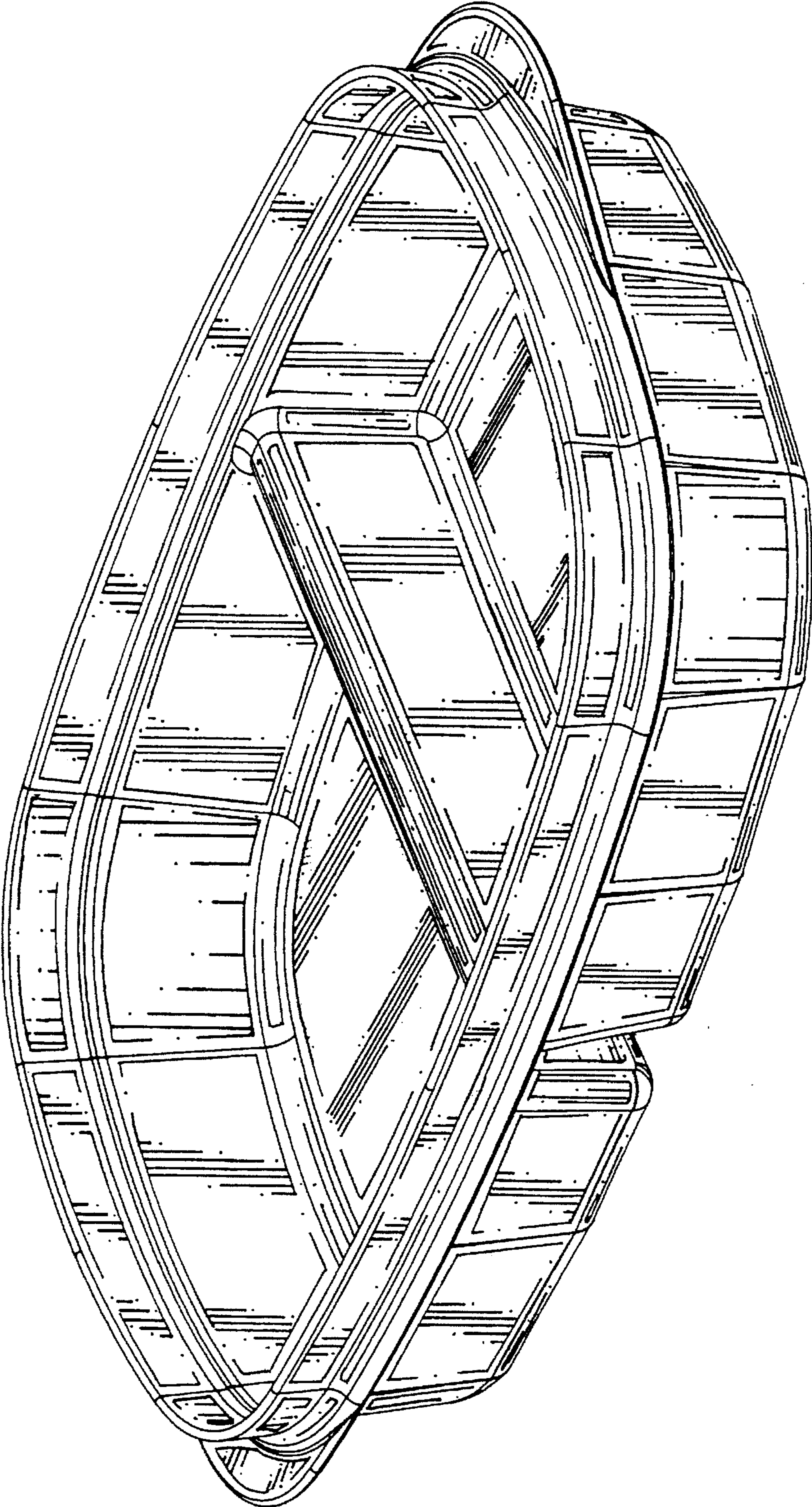


FIG. 1

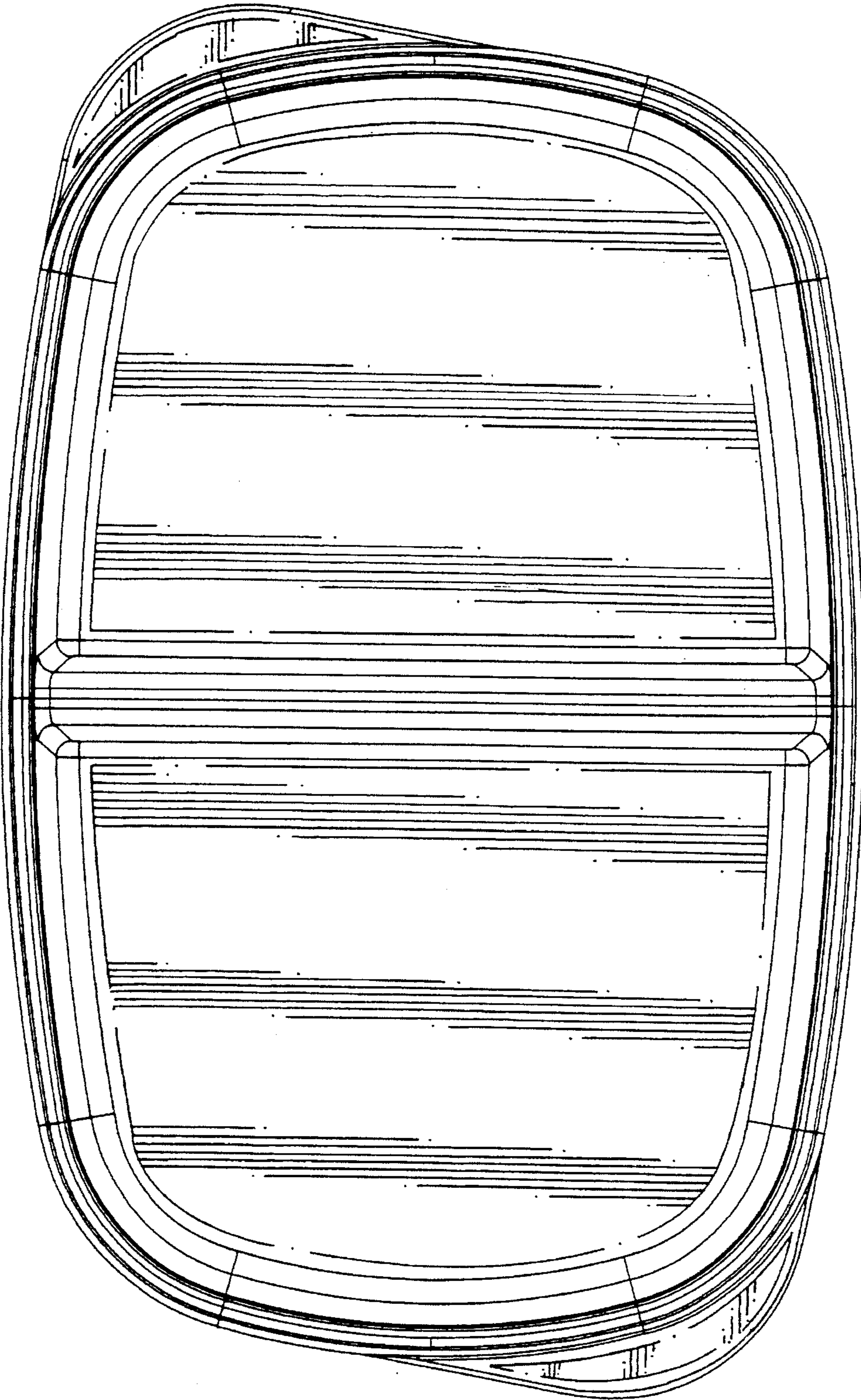


FIG. 2

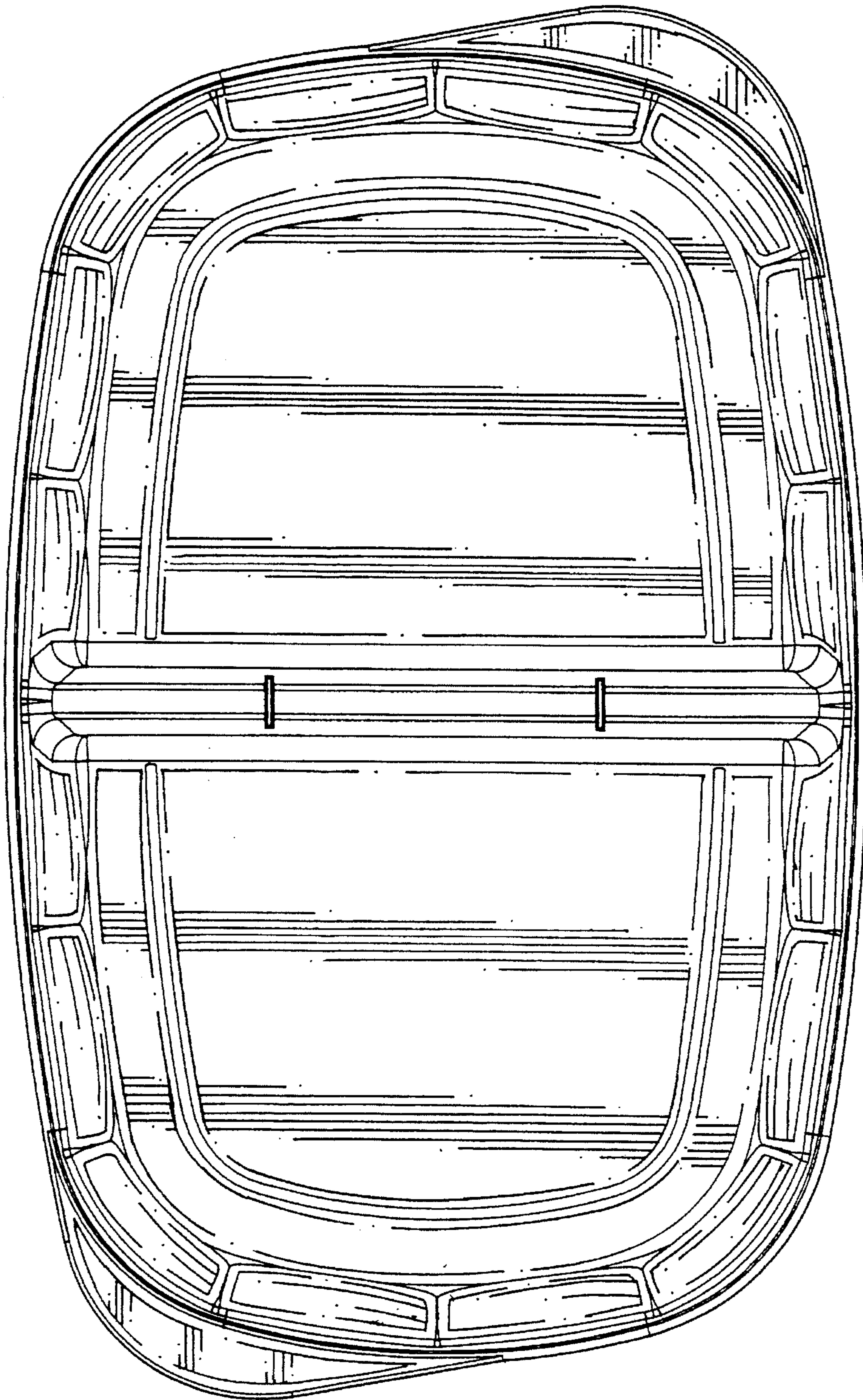


FIG. 3

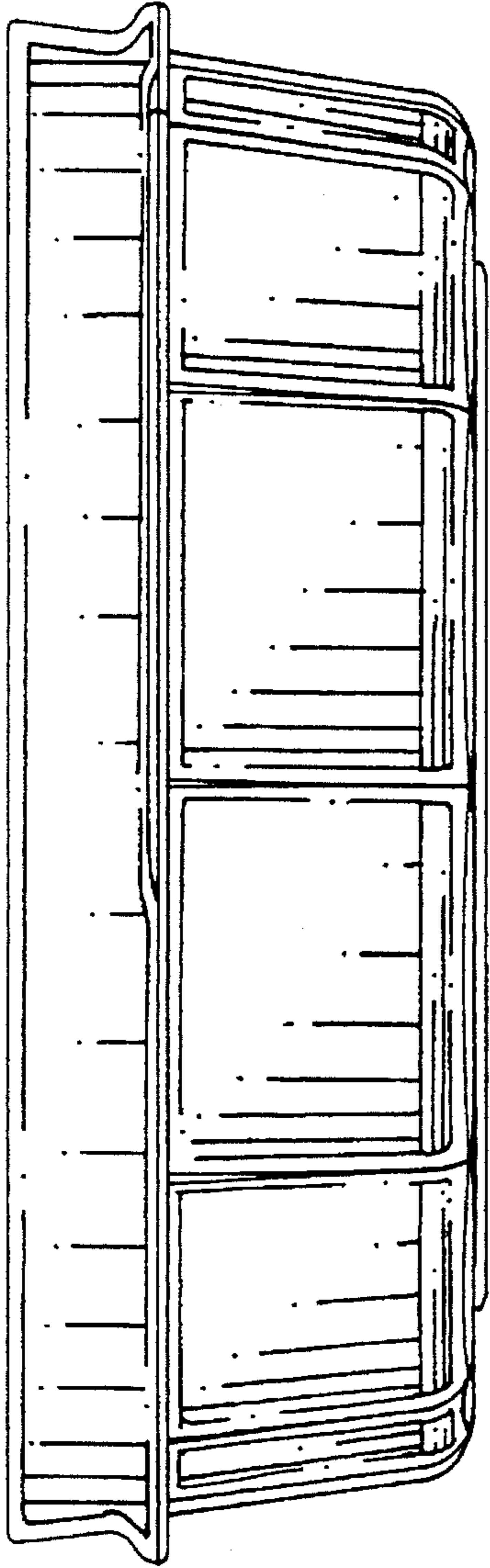


FIG. 4

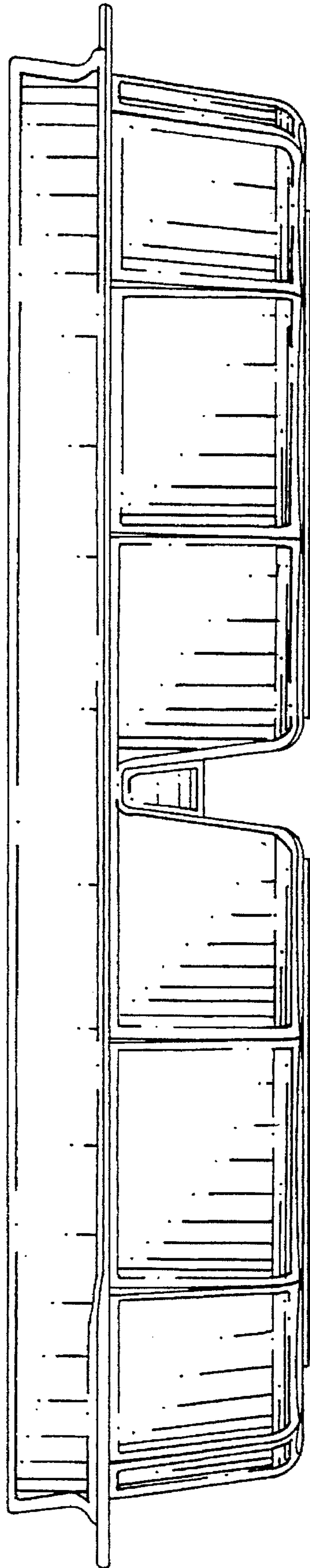


FIG. 5