



US00D372164S

United States Patent [19]

Ahern, Jr.

[11] Patent Number: **Des. 372,164**

[45] Date of Patent: ****Jul. 30, 1996**

[54] FOOD CONTAINER LID TAB

[75] Inventor: **Richard B. Ahern, Jr.**, Akron, Ohio

[73] Assignee: **Rubbermaid Incorporated**, Wooster, Ohio

[**] Term: **14 Years**

[21] Appl. No.: **33,604**

[22] Filed: **Jan. 17, 1995**

[52] U.S. Cl. **D7/392.1**; D9/443; D9/445

[58] Field of Search D7/391, 392, 392.1, D7/341, 592; D9/443, 445; 220/356, 915, 306, 712; 217/232

[56] References Cited

U.S. PATENT DOCUMENTS

D. 228,867	10/1973	Mallonn	D7/131
D. 230,556	3/1974	Mallonn	D7/131
D. 274,030	5/1984	Daenen et al.	D7/392.1 X
D. 277,724	2/1985	Daenen et al.	D7/392
D. 280,484	9/1985	Conti et al.	D7/391
D. 309,554	7/1990	Meisner	D7/391 X
D. 318,777	8/1991	Freese	D7/392
D. 329,572	9/1992	Krupa	D7/542
D. 339,958	10/1993	Olsen et al.	D7/392.1
D. 344,210	2/1994	Cousins et al.	D7/538
D. 347,549	6/1994	Ament et al.	D7/392
D. 352,423	11/1994	Laib	D7/538
D. 353,303	12/1994	Davis	D7/542
1,434,831	11/1922	Long	220/306
3,090,537	5/1963	Pasciak	D9/443 X
3,421,681	1/1969	Frank	229/43
3,526,334	9/1970	Ashton et al.	220/23.83
3,809,284	5/1974	Churan	220/60
3,881,638	5/1975	Grothoff	220/915 X
3,937,210	2/1976	Kachaylo	D7/391 X
3,979,015	9/1976	Arfert	220/307
4,471,880	9/1984	Taylor et al.	220/306
4,693,391	9/1987	Roth	220/359
4,765,506	8/1988	Fishman et al.	220/355
4,981,229	1/1991	Lauham	215/232

OTHER PUBLICATIONS

Catalog page, Food container lid tabs; Eagle Affiliates Inc., 101-01 Avenue D., Brooklyn, New York 11236. Publication date 1992.

Pp. 3, 11 and 31, Food container lid tabs; Tupperware Home Parties, P.O. Box 2353, Orlando, Florida. Publication date Fall 1992.

P. 23, Food container lid tabs; Dupol-Rubbermaid GmbH, An der Trift 63, D-6072 Dreieich, Germany. Publication date 1989.

Catalog page, Food container lid tabs; Rubbermaid Incorporated, 1147 Akron Road, Wooster, Ohio 44691. Publication date 1992.

Catalog page, Food container lid tabs; Rubbermaid Incorporated, 1147 Akron Road, Wooster, Ohio 44691. Publication date 1991.

Catalog page, Food container lid tabs; Rubbermaid Incorporated, 1147 Akron Road, Wooster, Ohio 44691. Publication date 1995.

Catalog page, Food container lid tabs; Rubbermaid Incorporated, 1147 Akron Road, Wooster, Ohio 44691. Publication date 1995.

Catalog page, Food container lid tabs; Rubbermaid Incorporated, 1147 Akron Road, Wooster, Ohio 44691. Publication date 1995.

Catalog page, Food container lid tabs; Rubbermaid Incorporated, 1147 Akron Road, Wooster, Ohio 44691. Publication date 1995.

Primary Examiner—M. N. Pandozzi

Attorney, Agent, or Firm—Richard B. O'Planick; Lisa B. Riedesel

[57] CLAIM

The ornamental design for a food container lid tab, as shown and described.

DESCRIPTION

FIG. 1 is a top right front perspective view of a food container lid tab showing my new design. The broken lines are for illustrative purposes only and form no part of the claimed design;

FIG. 2 is a front elevational view thereof; the rear elevational view being a mirror image;

FIG. 3 is a top plan view thereof;

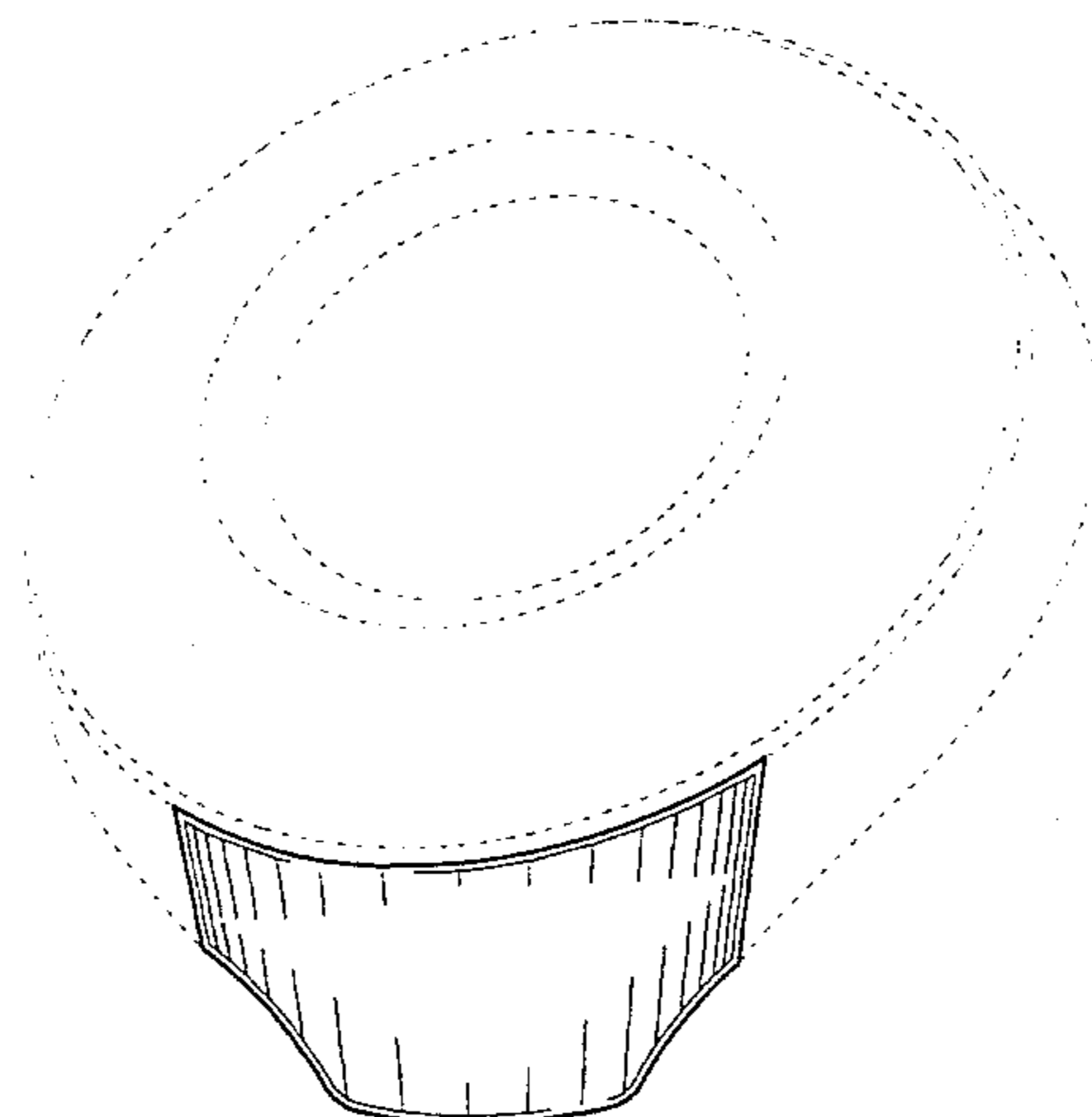


FIG. 4 is a right side elevational thereof; the left side elevational view being a mirror image; and,

FIG. 5 is a bottom plan view thereof.

The broken line showing of a lid in FIGS. 1-5 is for illustrative purposes only and forms no part of the claimed design.

1 Claim, 5 Drawing Sheets

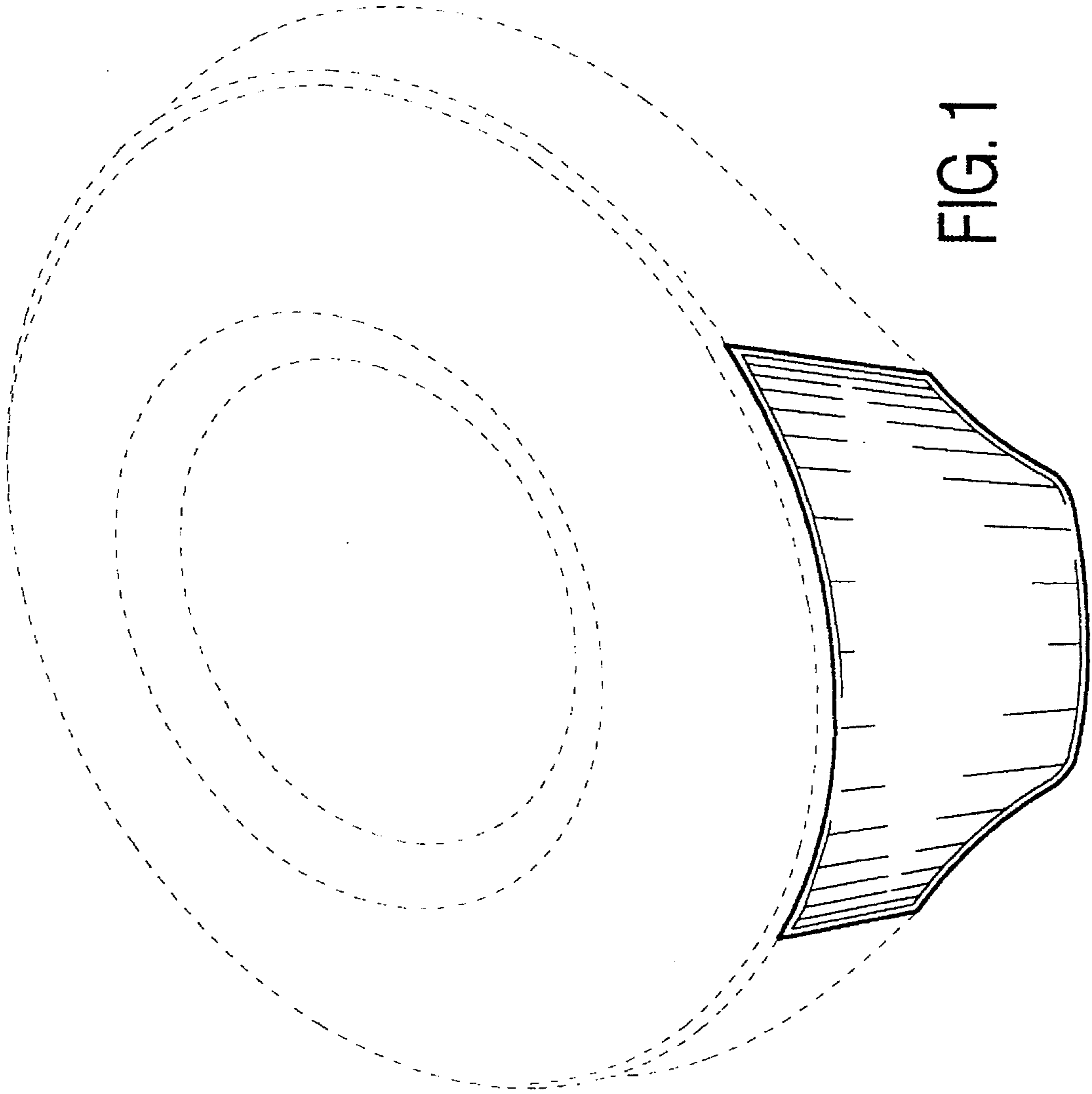


FIG. 1

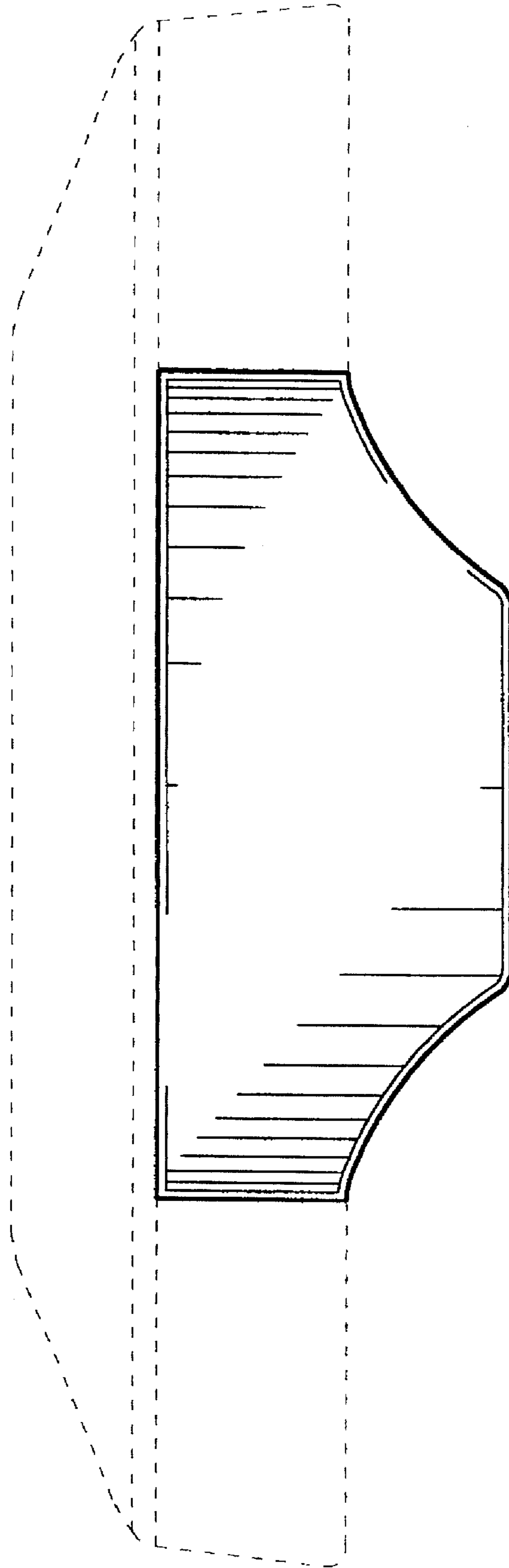


FIG. 2

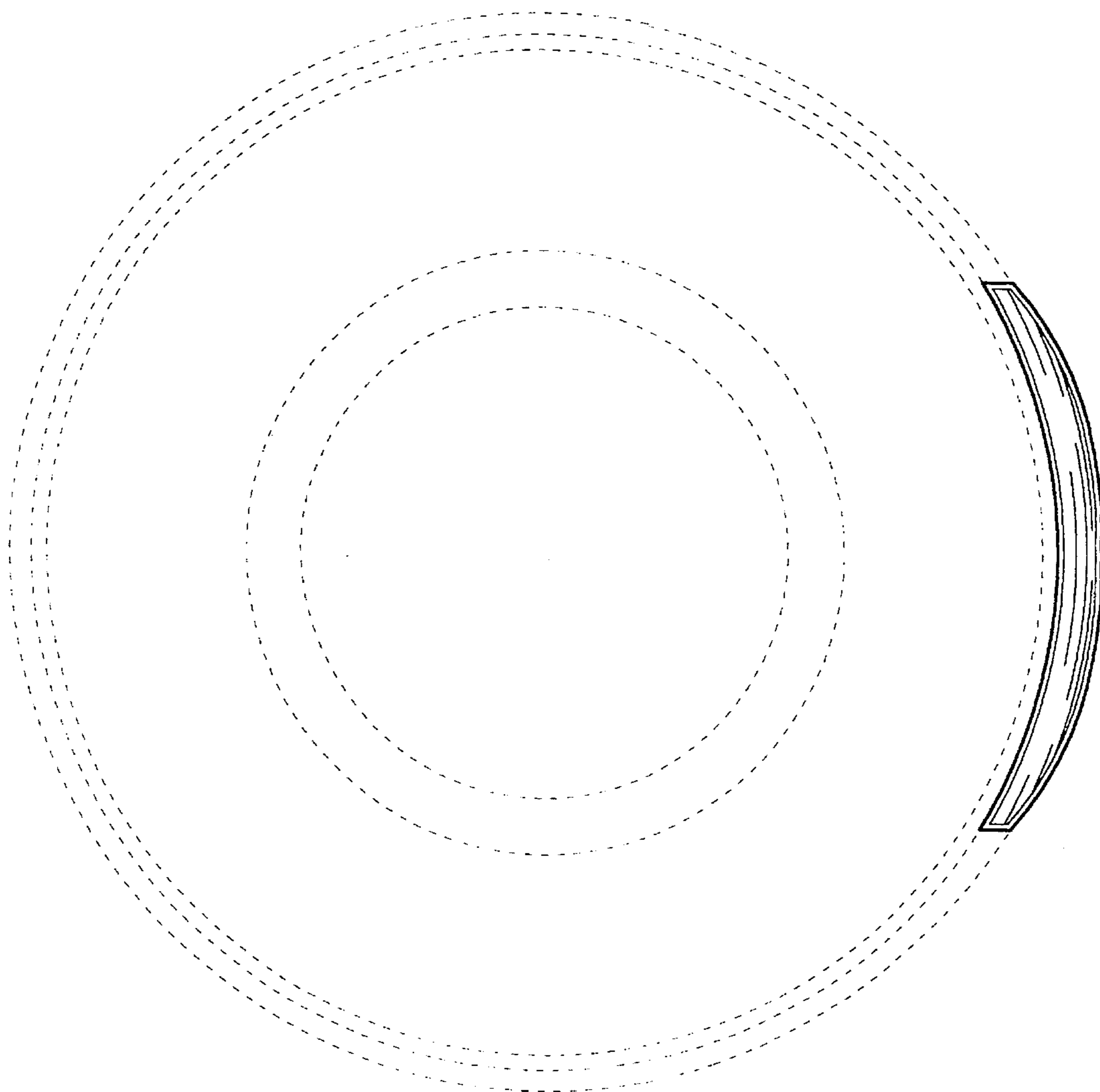


FIG. 3

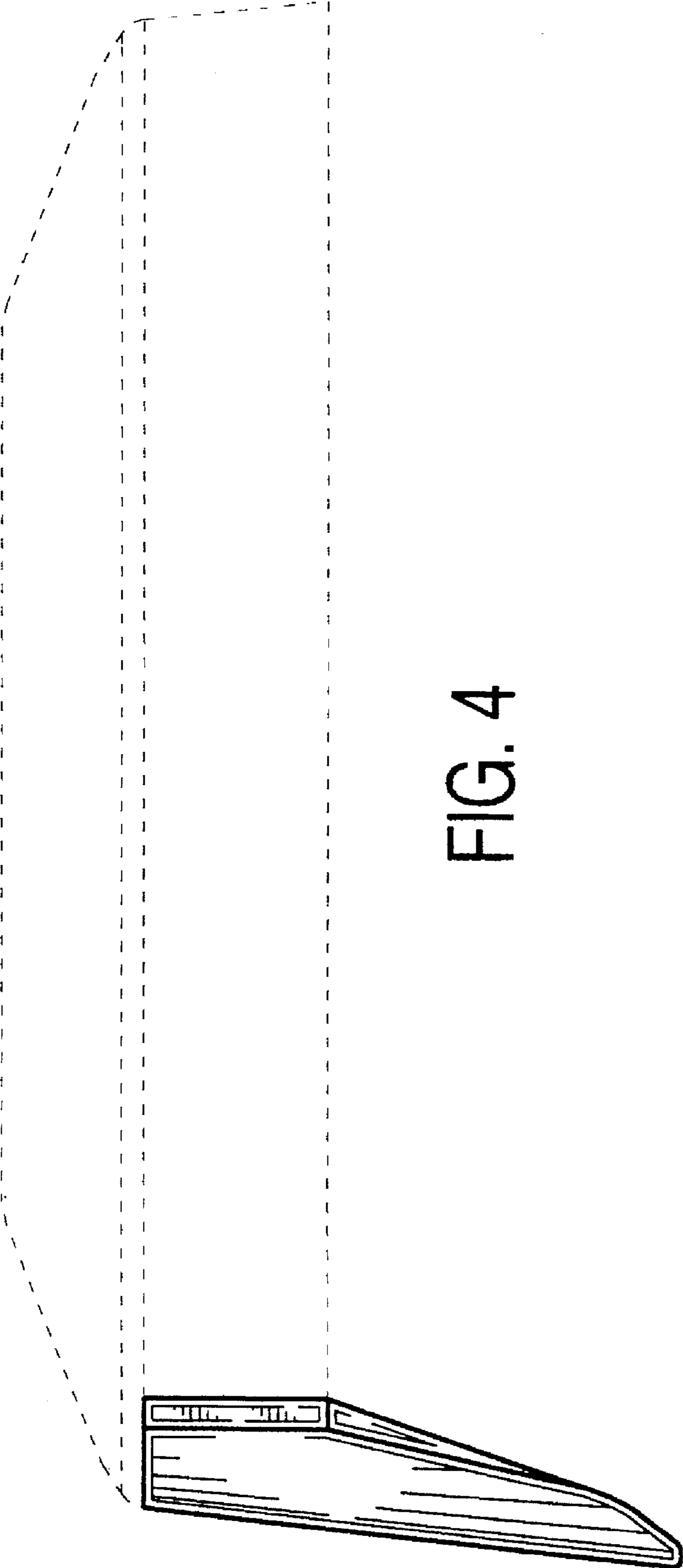


FIG. 4

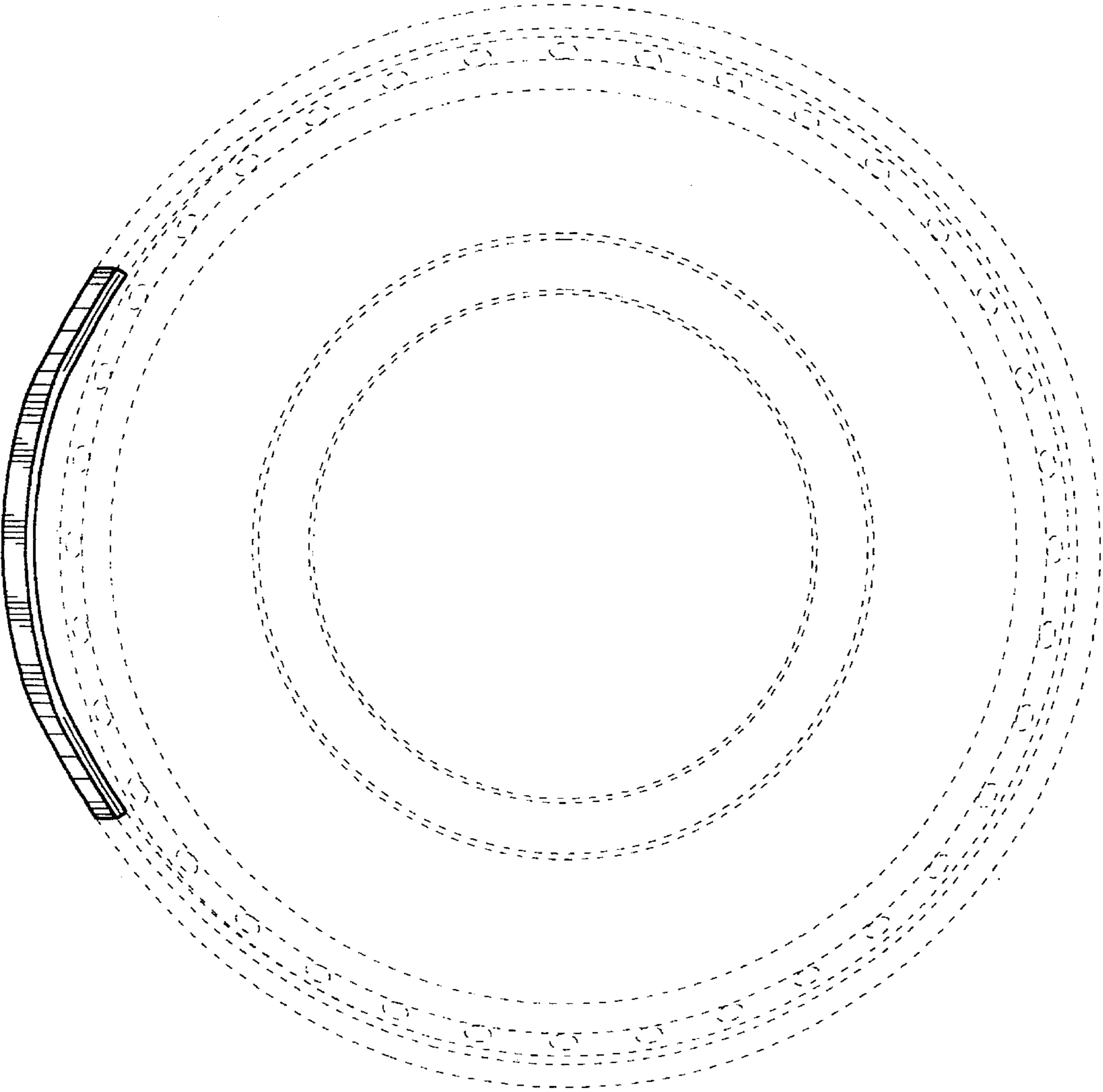


FIG. 5